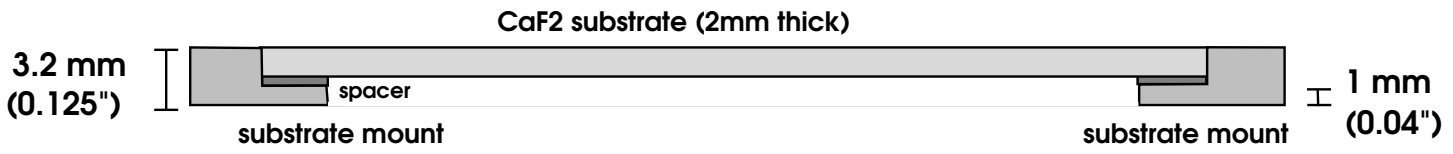
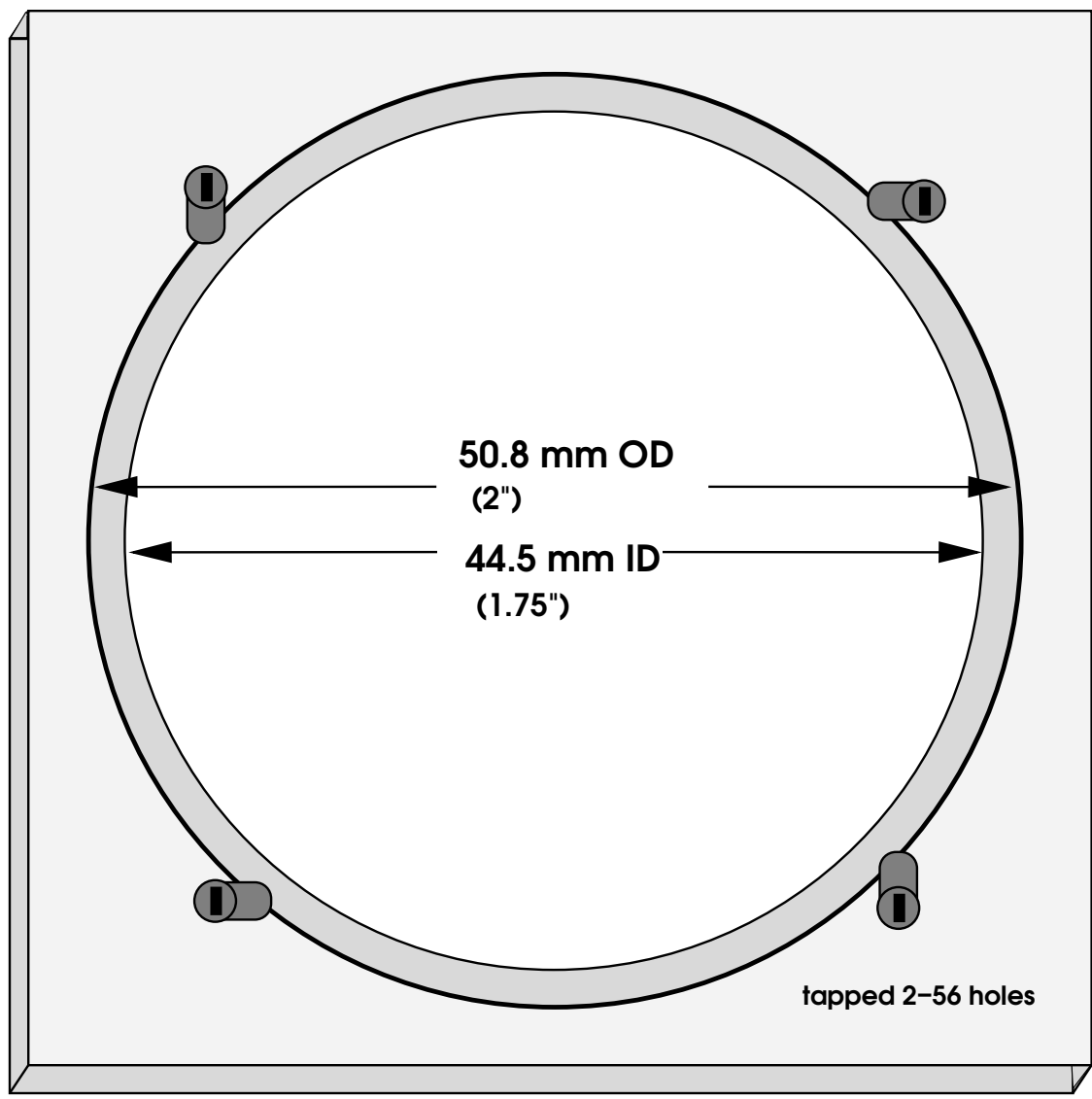


slit substrate mount (50mm)

54 mm (2.125")
square



cross section (side view)