

---

# DSP56300 Family Manual

24-Bit Digital Signal Processors

DSP56300FM  
Rev. 5, April 2005



## **How to Reach Us:**

### **Home Page:**

[www.freescale.com](http://www.freescale.com)

### **E-mail:**

[support@freescale.com](mailto:support@freescale.com)

### **USA/Europe or Locations not listed:**

Freescale Semiconductor  
Technical Information Center, CH370  
1300 N. Alma School Road  
Chandler, Arizona 85224  
+1-800-521-6274 or +1-480-768-2130  
[support@freescale.com](mailto:support@freescale.com)

### **Europe, Middle East, and Africa:**

Freescale Halbleiter Deutschland GMBH  
Technical Information Center  
Schatzbogen 7  
81829 München, Germany  
+44 1296 380 456 (English)  
+46 8 52200080 (English)  
+49 89 92103 559 (German)  
+33 1 69 35 48 48 (French)  
[support@freescale.com](mailto:support@freescale.com)

### **Japan:**

Freescale Semiconductor Japan Ltd.  
Headquarters  
ARCO Tower 15F  
1-8-1, Shimo-Meguro, Meguro-ku,  
Tokyo 153-0064, Japan  
0120 191014 or +81 3 5437 9125  
[support.japan@freescale.com](mailto:support.japan@freescale.com)

### **Asia/Pacific:**

Freescale Semiconductor Hong Kong Ltd.  
Technical Information Center  
2 Dai King Street  
Tai Po Industrial Estate  
Tai Po, N.T. Hong Kong  
+800 2666 8080

### **For Literature Requests Only:**

Freescale Semiconductor Literature Distribution Center  
P.O. Box 5405  
Denver, Colorado 80217  
1-800-441-2447 or 303-675-2140  
Fax: 303-675-2150  
[LDCForFreescaleSemiconductor@hibbertgroup.com](mailto:LDCForFreescaleSemiconductor@hibbertgroup.com)

Information in this document is provided solely to enable system and software implementers to use Freescale Semiconductor products. There are no express or implied copyright licenses granted hereunder to design or fabricate any integrated circuits or integrated circuits based on the information in this document.

Freescale Semiconductor reserves the right to make changes without further notice to any products herein. Freescale Semiconductor makes no warranty, representation or guarantee regarding the suitability of its products for any particular purpose, nor does Freescale Semiconductor assume any liability arising out of the application or use of any product or circuit, and specifically disclaims any and all liability, including without limitation consequential or incidental damages. "Typical" parameters which may be provided in Freescale Semiconductor data sheets and/or specifications can and do vary in different applications and actual performance may vary over time. All operating parameters, including "Typicals" must be validated for each customer application by customer's technical experts. Freescale Semiconductor does not convey any license under its patent rights nor the rights of others. Freescale Semiconductor products are not designed, intended, or authorized for use as components in systems intended for surgical implant into the body, or other applications intended to support or sustain life, or for any other application in which the failure of the Freescale Semiconductor product could create a situation where personal injury or death may occur. Should Buyer purchase or use Freescale Semiconductor products for any such unintended or unauthorized application, Buyer shall indemnify and hold Freescale Semiconductor and its officers, employees, subsidiaries, affiliates, and distributors harmless against all claims, costs, damages, and expenses, and reasonable attorney fees arising out of, directly or indirectly, any claim of personal injury or death associated with such unintended or unauthorized use, even if such claim alleges that Freescale Semiconductor was negligent regarding the design or manufacture of the part.

Freescale™ and the Freescale logo are trademarks of Freescale Semiconductor, Inc. All other product or service names are the property of their respective owners.

© Freescale Semiconductor, Inc. 1996, 2005.

Introduction	<b>1</b>
Core Architecture Overview	<b>2</b>
Data Arithmetic Logic Unit	<b>3</b>
Address Generation Unit	<b>4</b>
Program Control Unit	<b>5</b>
PLL and Clock Generator	<b>6</b>
Debugging Support	<b>7</b>
Instruction Cache	<b>8</b>
External Memory Interface (Port A)	<b>9</b>
DMA Controller	<b>10</b>
Operating Modes and Memory Spaces	<b>11</b>
Guide to the Instruction Set	<b>12</b>
Instruction Set	<b>13</b>
Instruction Timing and Restrictions	<b>A</b>
Benchmark Programs	<b>B</b>
From CDR Process to HiP Process	<b>C</b>
Index	<b>INDEX</b>

<b>1</b>	<b>Introduction</b>
<b>2</b>	<b>Core Architecture Overview</b>
<b>3</b>	<b>Data Arithmetic Logic Unit</b>
<b>4</b>	<b>Address Generation Unit</b>
<b>5</b>	<b>Program Control Unit</b>
<b>6</b>	<b>PLL and Clock Generator</b>
<b>7</b>	<b>Debugging Support</b>
<b>8</b>	<b>Instruction Cache</b>
<b>9</b>	<b>External Memory Interface (Port A)</b>
<b>10</b>	<b>DMA Controller</b>
<b>11</b>	<b>Operating Modes and Memory Spaces</b>
<b>12</b>	<b>Guide to the Instruction Set</b>
<b>13</b>	<b>Instruction Set</b>
<b>A</b>	<b>Instruction Timing and Restrictions</b>
<b>B</b>	<b>Benchmark Programs</b>
<b>C</b>	<b>From CDR Process to HiP Process</b>
<b>INDEX</b>	<b>Index</b>

# Contents

## 1

### Introduction

1.1	Core Overview . . . . .	1-2
1.1.1	Data Arithmetic Logic Unit (Data ALU). . . . .	1-2
1.1.2	Address Generation Unit (AGU). . . . .	1-3
1.2	Program Control Unit (PCU) . . . . .	1-4
1.3	Instruction Cache . . . . .	1-4
1.4	Port A External Memory Interface . . . . .	1-5
1.5	Phase Locked Loop (PLL) and Clock Generator . . . . .	1-6
1.6	Hardware Debugging Support . . . . .	1-6
1.7	Direct Memory Access (DMA). . . . .	1-7
1.8	Introduction to Digital Signal Processing. . . . .	1-7
1.9	Summary of Features . . . . .	1-10
1.10	Manual Organization. . . . .	1-11
1.11	Manual Conventions . . . . .	1-13
1.12	Manual Revision History for Revision 4 . . . . .	1-14

## 2

### Core Architecture Overview

2.1	Core Buses . . . . .	2-2
2.2	Core Processing. . . . .	2-3
2.3	Processing States. . . . .	2-4
2.3.1	Normal Processing State . . . . .	2-5
2.3.2	Exception Processing State (Interrupt Processing) . . . . .	2-6
2.3.2.1	Hardware Interrupt Source . . . . .	2-7
2.3.2.2	Software Interrupt Sources . . . . .	2-8
2.3.2.3	Interrupt Priority Structure . . . . .	2-9
2.3.2.4	Instructions Preceding the Interrupt Instruction Fetch. . . . .	2-11
2.3.2.5	Interrupt Types . . . . .	2-12
2.3.2.6	Interrupt Arbitration . . . . .	2-12
2.3.2.7	Interrupt Instruction Fetch . . . . .	2-13
2.3.2.8	Interrupt Instruction Execution. . . . .	2-13
2.3.3	Reset Processing State . . . . .	2-15
2.3.4	Wait Processing State . . . . .	2-16
2.3.5	Stop Processing State. . . . .	2-16
2.3.6	Debug State . . . . .	2-17

## 3

### Data Arithmetic Logic Unit

3.1	Data ALU Architecture. . . . .	3-1
3.1.1	Data ALU Input Registers (X1, X0, Y1, Y0) . . . . .	3-1
3.1.2	Multiplier-Accumulator (MAC) Unit . . . . .	3-2
3.1.3	Data ALU Accumulator Registers (A2, A1, A0, B2, B1, B0) . . . . .	3-3

3.1.4	Accumulator Shifter . . . . .	3-4
3.1.5	Bit Field Unit (BFU) . . . . .	3-4
3.1.6	Data Shifter/Limiter . . . . .	3-4
3.1.6.1	Scaling . . . . .	3-5
3.1.6.2	Limiting . . . . .	3-5
3.2	Data ALU Arithmetic and Rounding . . . . .	3-6
3.2.1	Data Representation . . . . .	3-6
3.2.2	Rounding Modes . . . . .	3-7
3.2.2.1	Convergent Rounding . . . . .	3-7
3.2.2.2	Two's Complement Rounding . . . . .	3-8
3.2.3	Arithmetic Saturation Mode . . . . .	3-9
3.2.4	Multi-Precision Arithmetic Support . . . . .	3-10
3.2.4.1	Double-Precision Multiply Mode . . . . .	3-12
3.2.5	Block Floating-Point FFT Support . . . . .	3-13
3.3	Data ALU Programming Model . . . . .	3-13
3.4	Sixteen-Bit Arithmetic Mode . . . . .	3-14
3.4.1	Moves in Sixteen-Bit Arithmetic Mode . . . . .	3-14
3.4.1.1	Moves into Registers or Accumulators . . . . .	3-14
3.4.1.2	Moves from Registers or Accumulators . . . . .	3-16
3.4.1.3	Short Immediate moves . . . . .	3-17
3.4.1.4	Scaling and Limiting . . . . .	3-17
3.4.2	Sixteen-Bit Arithmetic . . . . .	3-18
3.5	Pipeline Conflicts . . . . .	3-19
3.5.1	Arithmetic Stall . . . . .	3-19
3.5.2	Status Stall . . . . .	3-19
3.5.2.1	Transfer Stall . . . . .	3-20

## 4 Address Generation Unit

4.1	AGU Architecture . . . . .	4-1
4.2	Sixteen-Bit Compatibility Mode . . . . .	4-3
4.3	Programming Model . . . . .	4-4
4.3.1	Address Register Files . . . . .	4-4
4.3.2	Stack Extension Pointer . . . . .	4-4
4.3.3	Offset Register Files . . . . .	4-5
4.3.4	Modifier Register Files . . . . .	4-5
4.4	Addressing Modes . . . . .	4-5
4.4.1	Register Direct Modes . . . . .	4-6
4.4.2	Address Register Indirect Modes . . . . .	4-7
4.4.3	PC-Relative Modes . . . . .	4-8
4.4.4	Special Address Modes . . . . .	4-8
4.5	Address Modifier Types . . . . .	4-9
4.5.1	Linear Modifier (Mn = \$XXXXXX) . . . . .	4-10
4.5.2	Reverse-Carry Modifier (Mn = \$000000) . . . . .	4-10
4.5.3	Modulo Modifier (Mn = Modulus - 1) . . . . .	4-10
4.5.4	Multiple Wrap-Around Modulo Modifier . . . . .	4-11

## 5 Program Control Unit

5.1	Overview . . . . .	5-1
5.2	PCU Hardware Architecture . . . . .	5-2

5.3	Instruction Pipeline . . . . .	5-3
5.4	PCU Programming Model . . . . .	5-4
5.4.1	Configuration and Status Registers . . . . .	5-5
5.4.1.1	Operating Mode Register . . . . .	5-5
5.4.1.2	Status Register (SR) . . . . .	5-10
5.4.2	Stack and Stack Extension . . . . .	5-16
5.4.3	System Stack Configuration and Operation Registers . . . . .	5-16
5.4.3.1	Stack Pointer (SP) Register . . . . .	5-18
5.4.3.2	Stack Counter (SC) Register . . . . .	5-19
5.4.3.3	Stack Size (SZ) Register . . . . .	5-20
5.4.4	Program, Loop, and Exception Processing Control . . . . .	5-20
5.4.4.1	Program Counter (PC) Register . . . . .	5-20
5.4.4.2	Loop Address (LA) Register . . . . .	5-20
5.4.4.3	Loop Counter (LC) Register . . . . .	5-21
5.4.4.4	Vector Base Address (VBA) Register . . . . .	5-21

## 6 PLL and Clock Generator

6.1	PLL and Clock Signals . . . . .	6-2
6.2	PLL Block . . . . .	6-2
6.2.1	Frequency Predivider . . . . .	6-2
6.2.2	Phase Detector and Charge Pump Loop Filter . . . . .	6-2
6.2.3	Voltage Controlled Oscillator (VCO) . . . . .	6-3
6.2.3.1	Divide by 2 . . . . .	6-3
6.2.3.2	Frequency Divider . . . . .	6-3
6.2.3.3	PLL Control Elements . . . . .	6-4
6.2.3.3.1	Clock Input Division . . . . .	6-4
6.2.3.3.2	Frequency Multiplication . . . . .	6-4
6.2.3.3.3	Skew Elimination . . . . .	6-4
6.2.3.4	Clock Generator . . . . .	6-4
6.2.3.4.1	Low-Power Divider (LPD) . . . . .	6-5
6.2.3.4.2	Internal and External Clock Pulse Generator . . . . .	6-5
6.2.3.4.3	Operating Frequency . . . . .	6-6
6.3	PLL Programming Model . . . . .	6-6
6.4	Clock Synchronization . . . . .	6-10
6.5	Design Guidelines for Ripple and PCAP . . . . .	6-10

## 7 Debugging Support

7.1	JTAG Test Access Port . . . . .	7-2
7.1.1	Boundary Scan Architecture Overview . . . . .	7-2
7.1.2	TAP Controller . . . . .	7-3
7.1.3	Boundary Scan Register . . . . .	7-3
7.1.4	Instruction Register . . . . .	7-3
7.1.4.1	EXTEST (B[3-0] = 0000) . . . . .	7-6
7.1.4.2	SAMPLE/PRELOAD (B[3-0] = 0001) . . . . .	7-6
7.1.4.3	IDCODE (B[3-0] = 0010) . . . . .	7-7
7.1.4.4	CLAMP (B[3-0] = 0011) . . . . .	7-8
7.1.4.5	HI-Z (B[3-0] = 0100) . . . . .	7-8
7.1.4.6	ENABLE_ONCE(B[3-0] = 0110) . . . . .	7-8

7.1.4.7	DEBUG_REQUEST(B[3-0] = 0111) . . . . .	7-8
7.1.4.8	BYPASS (B[3-0] = 1111) . . . . .	7-9
7.1.5	DSP56300 JTAG Restrictions . . . . .	7-9
7.2	OnCE Module . . . . .	7-10
7.2.1	OnCE Controller . . . . .	7-11
7.2.1.1	OnCE Command Register (OCR) . . . . .	7-12
7.2.1.2	OnCE Decoder (ODEC) . . . . .	7-14
7.2.1.3	OnCE Status and Control Register (OSCR) . . . . .	7-14
7.2.2	OnCE Memory Breakpoint Logic . . . . .	7-15
7.2.2.1	OnCE Memory Breakpoint Counter (OMBC) . . . . .	7-18
7.2.3	Cache Support . . . . .	7-18
7.2.3.1	OnCE Trace Logic . . . . .	7-20
7.2.4	Methods of Entering Debug Mode . . . . .	7-21
7.2.5	Trace Buffer . . . . .	7-23
7.2.6	OnCE Commands and Serial Protocol . . . . .	7-24
7.2.7	OnCE Module Examples . . . . .	7-26
7.2.7.1	Checking Whether the Chip Has Entered Debug Mode . . . . .	7-26
7.2.7.2	Polling the JTAG Instruction Register . . . . .	7-26
7.2.7.3	Saving Pipeline Information . . . . .	7-26
7.2.7.4	Reading the Trace Buffer . . . . .	7-27
7.2.7.5	Displaying a Specified Register . . . . .	7-28
7.2.7.6	Displaying X Memory Area Starting at Address \$xxxxxxx . . . . .	7-28
7.2.7.7	Returning From Debug Mode to Normal Mode to Current Program . . . . .	7-29
7.2.7.8	Returning from Debug Mode to Normal Mode to a New Program . . . . .	7-29
7.3	Examples of JTAG-OnCE Interaction . . . . .	7-30
7.3.1	Address Trace Mode . . . . .	7-32

## 8 Instruction Cache

8.1	Instruction Cache Architecture . . . . .	8-1
8.2	Cache Programming Model . . . . .	8-3
8.2.1	Cache Operation . . . . .	8-4
8.2.1.1	Program Fetch . . . . .	8-4
8.2.1.2	Cache Hit . . . . .	8-4
8.2.1.3	Cache Word Miss When Burst Mode Is Disabled . . . . .	8-4
8.2.1.4	Cache Word Miss When Burst Mode Is Enabled . . . . .	8-4
8.2.1.5	Sector Miss . . . . .	8-5
8.2.2	Default Mode After Hardware Reset . . . . .	8-5
8.3	Cache Locking . . . . .	8-5
8.4	Cache Unlocking . . . . .	8-6
8.5	Flushing the Cache . . . . .	8-6
8.6	Data Transfers to/from Instruction Cache . . . . .	8-7
8.6.1	DMA Transfers . . . . .	8-7
8.6.2	Software-Controlled Transfers . . . . .	8-7
8.7	Using the Instruction Cache in Real-Time Applications . . . . .	8-8
8.8	Debugging Instruction Cache Operation . . . . .	8-9

## 9 External Memory Interface (Port A)

9.1	Signal Description . . . . .	9-1
9.2	Port Operation . . . . .	9-5



9.2.1	External Memory Addressing . . . . .	9-5
9.2.2	SRAM Support . . . . .	9-6
9.2.3	DRAM Support . . . . .	9-8
9.2.3.1	DRAM In-Page Access . . . . .	9-10
9.2.3.2	DRAM Out-of-Page Access . . . . .	9-10
9.3	Port A Disable . . . . .	9-10
9.4	Bus Handshake and Arbitration . . . . .	9-11
9.5	Bus Arbitration Signals . . . . .	9-11
9.5.1	The Arbitration Protocol . . . . .	9-11
9.5.2	Arbitration Scheme . . . . .	9-13
9.5.3	Bus Arbitration Example Cases . . . . .	9-13
9.5.3.1	Case 1, Normal . . . . .	9-13
9.5.3.2	Case 2, Bus Busy . . . . .	9-13
9.5.3.3	Case 3, Low Priority . . . . .	9-14
9.5.3.4	Case 4, Default . . . . .	9-14
9.5.3.5	Case 5, Bus Lock during Read-Modify-Write Instructions . . . . .	9-14
9.5.3.6	Case 6, Bus Parking . . . . .	9-14
9.6	Port A Control . . . . .	9-15
9.6.1	Address Attribute Registers (AAR[0–3]) . . . . .	9-15
9.6.2	Bus Control Register . . . . .	9-19
9.6.3	DRAM Control Register . . . . .	9-21

## 10

### DMA Controller

10.1	DMA Operational Overview . . . . .	10-3
10.1.1	Basic Address Modes . . . . .	10-3
10.1.2	Special Address Modes . . . . .	10-4
10.1.3	Unmatched Source and Destination Dimensions . . . . .	10-4
10.1.4	DMA Triggers (Request Sources) . . . . .	10-4
10.1.5	Transfer Mode . . . . .	10-5
10.2	Timing (Core Clock Cycles) . . . . .	10-5
10.2.1	Non-Overlap Between DMA Channels . . . . .	10-5
10.2.2	Overlap between DMA Channel and Core . . . . .	10-6
10.3	Channel Priority . . . . .	10-6
10.3.1	Priority Between DMA Channels . . . . .	10-6
10.3.2	Priority Between a DMA Channel and the Core . . . . .	10-7
10.4	Special Uses of DMA With the Bus Interface Unit . . . . .	10-8
10.4.1	Byte Packing . . . . .	10-8
10.4.1.1	DRAM In-Page Accesses using DMA . . . . .	10-8
10.4.1.2	End-of-Block-Transfer Interrupt . . . . .	10-8
10.5	DMA Controller Programming Model . . . . .	10-9
10.5.1	DMA Source Address Registers (DSR[0–5]) . . . . .	10-9
10.5.2	DMA Destination Address Registers (DDR[5–0]) . . . . .	10-9
10.5.3	DMA Counters (DCO[5–0]) . . . . .	10-9
10.5.3.1	DMA Counter Mode A—Single Counter . . . . .	10-10
10.5.3.2	DMA Counter Mode B—Dual Counter . . . . .	10-11
10.5.3.3	Circular Buffer (Length Less Than or Equal to 4096 Words) . . . . .	10-12
10.5.3.3.1	DMA Counter Modes C, D and E—Triple Counter . . . . .	10-13
10.5.3.4	Circular Buffer (Length Greater Than 4096 Words) . . . . .	10-14
10.5.3.5	DMA Control Registers (DCR[5–0]) . . . . .	10-14
10.5.3.5.1	Non-3D Addressing Modes (D3D = 0) . . . . .	10-20

10.5.3.5.2	3D Modes (D3D = 1) . . . . .	10-21
10.5.3.6	DMA Offset Registers (DOR[3–0]) . . . . .	10-23
10.5.3.7	DMA Status Register (DSTR) . . . . .	10-23
10.6	DMA Restrictions . . . . .	10-25

# 11

## Operating Modes and Memory Spaces

11.1	DSP56300 Family Core Memory Map . . . . .	11-2
11.1.1	X Data Memory Space . . . . .	11-3
11.1.2	Internal X I/O Space . . . . .	11-3
11.1.3	Switchable Internal or External X I/O Memory . . . . .	11-4
11.1.3.1	Reserved Space for X ROM or RAM . . . . .	11-4
11.1.3.2	External X Data Memory . . . . .	11-5
11.1.3.3	Internal X Memory . . . . .	11-5
11.1.4	Y Data Memory Space . . . . .	11-5
11.1.4.1	Internal/External Y I/O Space . . . . .	11-5
11.1.4.2	Switchable Internal or External Y I/O Memory . . . . .	11-5
11.1.4.3	Reserved Space for Y ROM or RAM . . . . .	11-5
11.1.4.4	External Y Data Memory . . . . .	11-6
11.1.4.5	Internal Y Memory . . . . .	11-6
11.1.5	Program Memory . . . . .	11-6
11.1.5.1	Bootstrap ROM Space . . . . .	11-6
11.1.5.2	Reserved Space for Program ROM . . . . .	11-6
11.1.5.3	External Program Memory . . . . .	11-7
11.1.5.4	Internal Program Memory . . . . .	11-7
11.1.5.5	Internal Instruction Cache RAM . . . . .	11-7
11.2	Sixteen-Bit Compatibility Mode . . . . .	11-7
11.3	Memory Switch Mode . . . . .	11-8

# 12

## Guide to the Instruction Set

12.1	Instruction Formats and Syntax . . . . .	12-1
12.2	Operand Lengths . . . . .	12-3
12.2.1	Data ALU Registers . . . . .	12-4
12.2.2	AGU Registers . . . . .	12-5
12.2.3	Program Control Registers . . . . .	12-5
12.2.4	Data Organization in Memory . . . . .	12-6
12.3	Instruction Groups . . . . .	12-6
12.3.1	Arithmetic Instructions . . . . .	12-7
12.3.2	Logical Instructions . . . . .	12-8
12.3.3	Bit Manipulation Instructions . . . . .	12-9
12.3.4	Loop Instructions . . . . .	12-10
12.3.5	Move Instructions . . . . .	12-10
12.3.6	Program Control Instructions . . . . .	12-11
12.3.7	Instruction Cache Control Instructions . . . . .	12-12
12.4	Guide to Instruction Descriptions . . . . .	12-13
12.4.1	Notation . . . . .	12-13
12.4.2	Condition Code Computation . . . . .	12-17
12.5	Instruction Partial Encoding . . . . .	12-18
12.5.1	Partial Encodings for Use in Instruction Encoding . . . . .	12-18
12.5.2	Parallel Instruction Encoding of the Operation Code . . . . .	12-25

12.5.2.1	Multiply Instruction Encoding . . . . .	12-25
12.5.2.2	Non-Multiply Instruction Encoding . . . . .	12-25

## 13 Instruction Set

### A Instruction Timing and Restrictions

A.1	Overview . . . . .	A-1
A.2	Instruction Sequence Delays . . . . .	A-8
A.2.1	External Bus Wait States . . . . .	A-9
A.2.2	Instruction Fetch Delays . . . . .	A-9
A.2.3	Data ALU Interlock . . . . .	A-9
A.2.4	Address Register Interlocks . . . . .	A-9
A.2.5	Stack Extension Delays . . . . .	A-11
A.2.6	Program Flow Control Delays . . . . .	A-12
A.2.6.1	JMP to LA or to LA – 1 . . . . .	A-13
A.2.6.2	RTI to LA or to LA – 1 . . . . .	A-13
A.2.6.3	Conditional Instructions . . . . .	A-13
A.2.6.4	Interrupt Abort . . . . .	A-13
A.2.6.5	Degenerated DO loop . . . . .	A-13
A.2.6.6	Annulled REP and DO . . . . .	A-13
A.3	Instruction Sequence Restrictions . . . . .	A-14
A.3.1	Restrictions Near the End of DO Loops . . . . .	A-14
A.3.2	General DO Restrictions . . . . .	A-16
A.3.3	ENDDO Restrictions . . . . .	A-20
A.3.4	BRKcc Restrictions . . . . .	A-20
A.3.5	RTI and RTS Restrictions . . . . .	A-20
A.3.6	SP/SC and SSH/SSL Manipulation Restrictions . . . . .	A-20
A.3.7	Fast Interrupt Routines . . . . .	A-21
A.3.8	REP Restrictions . . . . .	A-21
A.3.9	Stack Extension Restrictions . . . . .	A-22
A.3.10	Stack Extension Enable Restrictions . . . . .	A-23
A.4	Peripheral Pipeline Restrictions . . . . .	A-23
A.4.1	Polling a Peripheral Device for Write . . . . .	A-24
A.4.2	Writing to a Read-Only Register . . . . .	A-24
A.4.3	XY Memory Data Move . . . . .	A-24
A.5	Sixteen-Bit Compatibility Mode Restrictions . . . . .	A-25

### B Benchmark Programs

B.1	Real Multiply . . . . .	B-2
B.2	N Real Multiplies . . . . .	B-3
B.3	Real Update . . . . .	B-4
B.4	N Real Updates . . . . .	B-4
B.5	Real Correlation or Convolution (FIR Filter) . . . . .	B-5
B.6	Real * Complex Correlation or Convolution (FIR Filter) . . . . .	B-6
B.7	Complex Multiply . . . . .	B-7
B.8	N Complex Multiplies . . . . .	B-8
B.9	Complex Update . . . . .	B-9
B.10	N Complex Updates . . . . .	B-10

## Contents

B.11	Complex Correlation or Convolution (FIR Filter) . . . . .	B-12
B.12	Nth Order Power Series (Real) . . . . .	B-13
B.13	Second Order Real Biquad IIR Filter . . . . .	B-14
B.14	N Cascaded Real Biquad IIR Filter. . . . .	B-15
B.15	N Radix-2 FFT Butterflies (DIT, In-Place Algorithm). . . . .	B-16
B.16	True (Exact) LMS Adaptive Filter . . . . .	B-18
B.17	Delayed LMS Adaptive Filter. . . . .	B-20
B.18	FIR Lattice Filter. . . . .	B-22
B.19	All Pole IIR Lattice Filter . . . . .	B-23
B.20	General Lattice Filter . . . . .	B-25
B.21	Normalized Lattice Filter . . . . .	B-27
B.22	[1 × 3][3 × 3] Matrix Multiplication . . . . .	B-29
B.23	N Point 3 × 3 2-D FIR Convolution . . . . .	B-30
B.24	Viterbi Add-Compare-Select (ACS). . . . .	B-32
B.25	Parsing a Data Stream. . . . .	B-36
B.26	Creating a Data Stream . . . . .	B-38
B.27	Parsing a Hoffman Code Data Stream . . . . .	B-40

## C

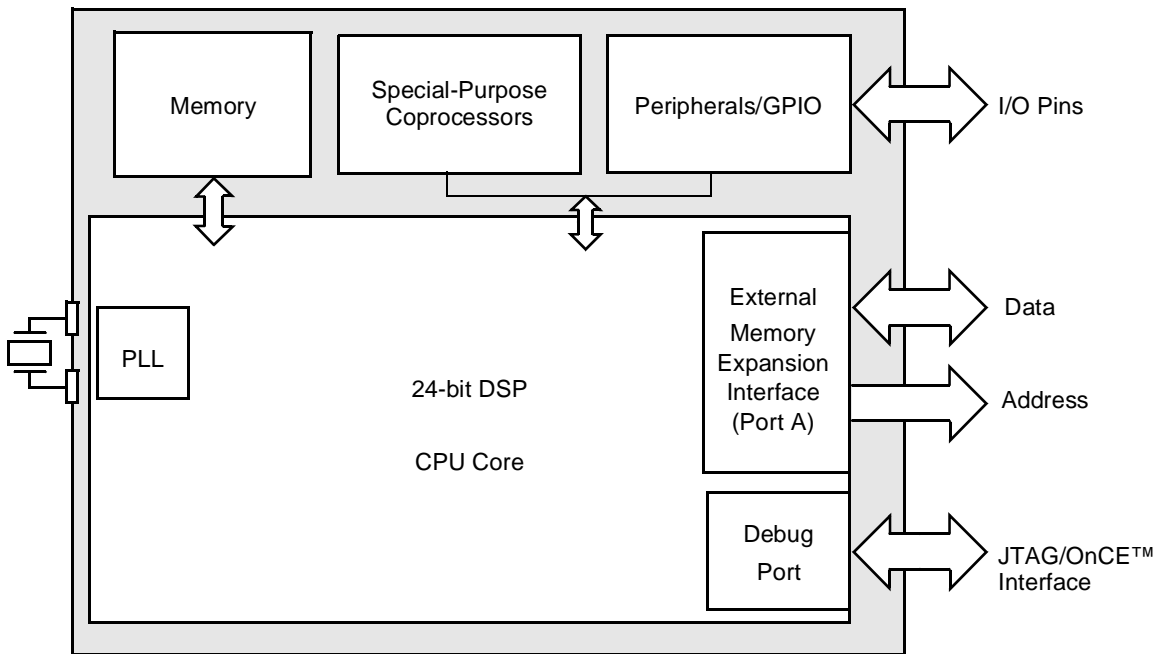
### From CDR Process to HiP Process

C.1	Voltage . . . . .	C-2
C.2	Operating Frequency. . . . .	C-2
C.3	Port A Timings . . . . .	C-2
C.4	Memory Block Size . . . . .	C-3

## Index

# Introduction

The Freescale DSP56300 family of digital signal processors uses a programmable, 24-bit, fixed-point core. This core is a high-performance, single-clock-cycle-per-instruction engine. A variety of standard peripherals can be added around the DSP56300 family core (see **Figure 1-1**), such as serial ports, parallel ports, timers, different memory configurations (RAM and/or ROM), special-purpose coprocessors, and General-Purpose Input/Output (GPIO) ports. Each peripheral interfaces to the DSP56300 core through a standard peripheral bus, allowing easy connection to standard or custom peripherals.



**Figure 1-1.** DSP56300 Family-Based DSP

The combination of powerful instruction set, multiple internal buses, DMA channels, on-chip program and data memories, external buses, standard peripherals, and power management of the DSP56300 family make it an excellent solution for wireless or wireline DSP applications from individual subscriber to infrastructure, as well as multimedia and high-end audio applications, including video conferencing.

## 1.1 Core Overview

- One Million Instructions Per Second (MIPS) per MHz of operating speed
- Object code compatible with the DSP56000 core
- Highly parallel instruction set
- Data Arithmetic Logic Unit (Data ALU)
- Address Generation Unit (AGU)
- Program Control Unit (PCU)
- On-chip instruction cache controller
- External memory interface (Port A)
- Phase Locked Loop (PLL)
- Hardware debugging support (JTAG TAP, OnCE™ module, and Address Trace Mode)
- Six-channel Direct Memory Access (DMA) controller
- Reduced power dissipation
  - Very low power CMOS design
  - Wait and Stop low-power standby modes
  - Fully-static logic

### 1.1.1 Data Arithmetic Logic Unit (Data ALU)

The Data ALU performs all the arithmetic and logical operations on data operands in the DSP56300 core. The components of the Data ALU are as follows:

- Fully pipelined  $24 \times 24$ -bit parallel Multiplier-Accumulator (MAC) unit
- Bit Field Unit, comprising a 56-bit parallel barrel shifter (fast shift and normalization; bit stream generation and parsing)
- Conditional ALU instructions
- 24-bit or 16-bit arithmetic support under software control
- Four 24-bit input general purpose registers: X1, X0, Y1, and Y0
- Six Data ALU registers (A2, A1, A0, B2, B1, and B0) that are concatenated into two general purpose 56-bit accumulators and accumulator shifters (A and B)
- Two data bus shifter/limiter circuits

The Data ALU registers can be read or written over the X Data Bus (XDB) and the Y Data Bus (YDB) as 24- or 48-bit operands. The source operands for the Data ALU, which can be 24, 48, or 56 bits, always originate from the Data ALU registers. The results of all Data ALU operations are stored in an accumulator. All Data ALU operations are performed in two clock cycles in pipeline fashion so that a new instruction can be initiated in every clock, yielding an effective execution rate of one instruction per clock cycle.

The MAC unit comprises the main arithmetic processing unit of the DSP56300 core and performs all of the calculations on data operands. For arithmetic instructions, the unit accepts as many as three input operands and outputs one 56-bit result of the following form:

Extension:Most Significant Product:Least Significant Product (EXT:MSP:LSP)

The multiplier executes 24-bit  $\times$  24-bit, parallel fractional multiplies between two's complement signed, unsigned, or mixed operands. The 48-bit product is right-justified and added to the 56-bit contents of either the A or B accumulator. A 56-bit result can be stored as a 24-bit operand by truncating or rounding the LSP into the MSP.

## 1.1.2 Address Generation Unit (AGU)

The Address Generation Unit (AGU) performs the effective address calculations for addressing data operands in memory and contains the integer arithmetic and registers used to generate the addresses. The AGU operates in parallel with the other core resource, and so minimizes address-generation overhead of instruction sequences. It implements four types of address arithmetic:

- Linear
- Modulo
- Multiple wrap-around modulo
- Reverse-carry

These arithmetic types easily allow creation of data structures in memory for FIFOs (queues), delay lines, circular buffers, stacks, and bit-reversed FFT buffers. Data is manipulated by updating address registers (pointers) rather than moving large blocks of data. The contents of the address modifier register, Mn, define the type of arithmetic to be performed for addressing mode calculations. For modulo arithmetic, the contents of Mn also specify the modulus. All address register indirect modes can be used with any address modifier. Each address register, Rn, has an associated modifier register, Mn. The following address modifier types are available.

- Linear addressing—Useful for general-purpose addressing
- Modulo addressing—Useful for creating circular buffers for FIFOs
- Multiple wrap-around modulo addressing—Useful for decimation, interpolation and waveform generation since the multiple wrap-around capability can be used for argument reduction
- Reverse-carry (bit-reverse) addressing—Useful for  $2^k$ -point FFT addressing

The AGU is divided into halves, each with its own Address Arithmetic Logic Unit (Address ALU), one to generate 24-bit addresses every cycle for the X space and one for the Y space. Each Address ALU can update one address register from its respective address register file during one instruction cycle. Each Address ALU has four sets of register triplets; each triplet is composed of an address register, an offset register, and a modifier register. The contents of the associated

modifier register specify the type of arithmetic to use in the address register update calculation. The modifier value is decoded in the Address ALU.

Each Address ALU contains a 24-bit full adder, which is an offset adder. A second full adder—which is a modulo adder—adds the summed result of the first full adder to a modulo value that is stored in its respective modifier register. A third full adder, which is a reverse-carry adder, is also provided. The offset adder and the reverse-carry adder operate in parallel and share common inputs. The only difference between them is that the carry propagates in opposite directions. The modifier value determines which of the three summed results of the full adders is output. For details on the AGU, see **Chapter 4, Address Generation Unit**.

## 1.2 Program Control Unit (PCU)

The Program Control Unit (PCU) performs instruction fetch, instruction decoding, hardware DO loop control, and exception processing. The PCU implements a seven-stage pipeline and controls the different processing states of the DSP56300 core. The PCU consists of three hardware blocks:

- *Program Decode Controller (PDC)*: Decodes the 24-bit instruction loaded into the instruction latch and generates all necessary pipeline control signals
- *Program Address Generator (PAG)*: Contains the hardware for program address generation, system stack, and loop control
- *Program Interrupt Controller (PIC)*: Arbitrates among all interrupt requests (internal interrupts and the five external requests  $\overline{IRQA}$ ,  $\overline{IRQB}$ ,  $\overline{IRQC}$ ,  $\overline{IRQD}$ , and  $\overline{NMI}$ ), and generates the appropriate interrupt vector address

PCU features include:

- Position independent code (PIC) support
- Addressing modes optimized for DSP applications (including immediate offsets)
- On-chip instruction cache controller
- On-chip memory-expandable hardware stack
- Nested hardware DO loops
- Fast auto-return interrupts
- Program Address Trace mode support

## 1.3 Instruction Cache

The instruction cache functions as a buffer memory between external memory and the DSP core processor. When code executes, the code words at the locations requested by the instruction set are copied into the instruction cache for direct access by the core processor. If the same code is used frequently in a set of program instructions, storage of these instructions in the cache yields an increase in throughput, because external bus accesses are eliminated. In the DSP56300



instruction set are specific cache instructions that permit you to lock sectors of the cache and to flush the cache contents under software control. When enabled, the instruction cache has 1024 24-bit words (1 K words) of instruction cache memory, with the following features:

- Software controlled Cache Enable (CE) bit in the Extended Mode Register (EMR) in the Status Register (SR)
- Instruction cache size of 1024 24-bit words
- Eight-way, fully associative instruction cache with sectored placement policy
- 1- to 4-word transfer granularity
- Least recently used (LRU) sector replacement algorithm
- Transparent operation (that is, no user management is required)
- Individual sector locking/unlocking
- Global cache flush controlled by software
- Cache controller status observable via the JTAG/OnCE port

For more information, refer to **Chapter 8**, *Instruction Cache*.

## 1.4 Port A External Memory Interface

Port A is an external memory interface for memory expansion or memory-mapped I/O. Its programmable nature supports a low part-count connection to fast or slow SRAMs, DRAMs, I/O devices, and multiple bus master systems. The Port A data bus is 24 bits wide with a separate address bus that is 24 bits wide in some DSP56300 processors and less than 24 bits in others. External memory is divided into three possible 16 M × 24-bit spaces: X data, Y data, and program memory. Each or all spaces can be accessed to a given external memory under software control. See the memory map in **Chapter 11**, *Operating Modes and Memory Spaces* for memory space that is not accessible over Port A. An internal wait state generator can be programmed to statically insert up to 31 wait states for access to slower memory or I/O devices. A Transfer Acknowledge ( $\overline{\text{TA}}$ ) signal allows an external device to dynamically control the number of wait states inserted in a bus access operation. Bus arbitration signals allow an external device to use the bus while internal operations continue using internal memory. See the memory map in the device-specific user's manual for memory space that is not accessible.

The Address Attribute (AA) lines operate as memory-mapped chip selects or as address lines to external devices, depending upon the mode selected. Some DSP56300 chips have eighteen address lines. For these DSPs, if all four AA lines are used as address lines, the total addressable external memory per space (X data, Y data, and program) is 4 M × 24-bit. If all four AA lines are used, the memory must always be selected because no AA lines are available for chip select. As a result, an external read or write outside the 4M range could still go to the external memory (depending on the settings of the AA registers).

## 1.5 Phase Locked Loop (PLL) and Clock Generator

The clock generator in the DSP56300 core is composed of two main blocks:

- *Phase Locked Loop (PLL)*: Clock-input division, frequency multiplication, and skew elimination
- *Clock Generator (CLKGEN)*: Low-power division and clock pulse generation and change of low-power Divide Factor (DF) without loss of lock

The PLL allows the processor to operate at a high internal clock frequency using a low frequency clock input, a feature that offers two immediate benefits:

- A lower frequency clock input reduces the overall electromagnetic interference generated by a system.
- The ability to oscillate at different frequencies reduces costs by eliminating the need to add additional oscillators to a system.

## 1.6 Hardware Debugging Support

The DSP56300 core provides a dedicated user-accessible Test Access Port (TAP) based on the *IEEE 1149.1 Standard Test Access Port and Boundary Scan Architecture*. Problems associated with testing high-density circuit boards have led to development of this standard under the sponsorship of the Test Technology Committee of IEEE and the Joint Test Action Group (JTAG). The DSP56300 core implementation supports circuit-board test strategies based on this standard. The test logic includes a TAP consisting of four dedicated signal pins, a 16-state controller, and three test data registers. A Boundary Scan Register (BSR) links all device signal pins into a single shift register. The test logic is implemented utilizing static logic design and is completely independent of the device system logic.

An On-chip Emulation (OnCE) port supports hardware and software development on the DSP56300 core processor. It allows nonintrusive interaction with the core and its peripherals so that developers can examine registers, memory, or on-chip peripherals. This facilitates hardware and software development on the DSP56300 core processor. OnCE module functions are provided through the JTAG TAP pins. More information on the JTAG/OnCE port is provided in **Chapter 7, *Debugging Support***.

A third debugging feature is the Address Trace mode, which reflects internal Program RAM accesses at the external port. This mode is invoked by setting the Address Tracing Enable (ATE), which is bit 15 in the Operating Mode Register (OMR)<sup>1</sup>. Once active, both internal and external program memory accesses are valid at the rising edge of CLKOUT. The  $\overline{BR}$  signal distinguishes internal from external accesses.

---

1. For details on the Operating Mode Register (OMR), see **Section 5.4.1.1, *Operating Mode Register***, on page 5-5

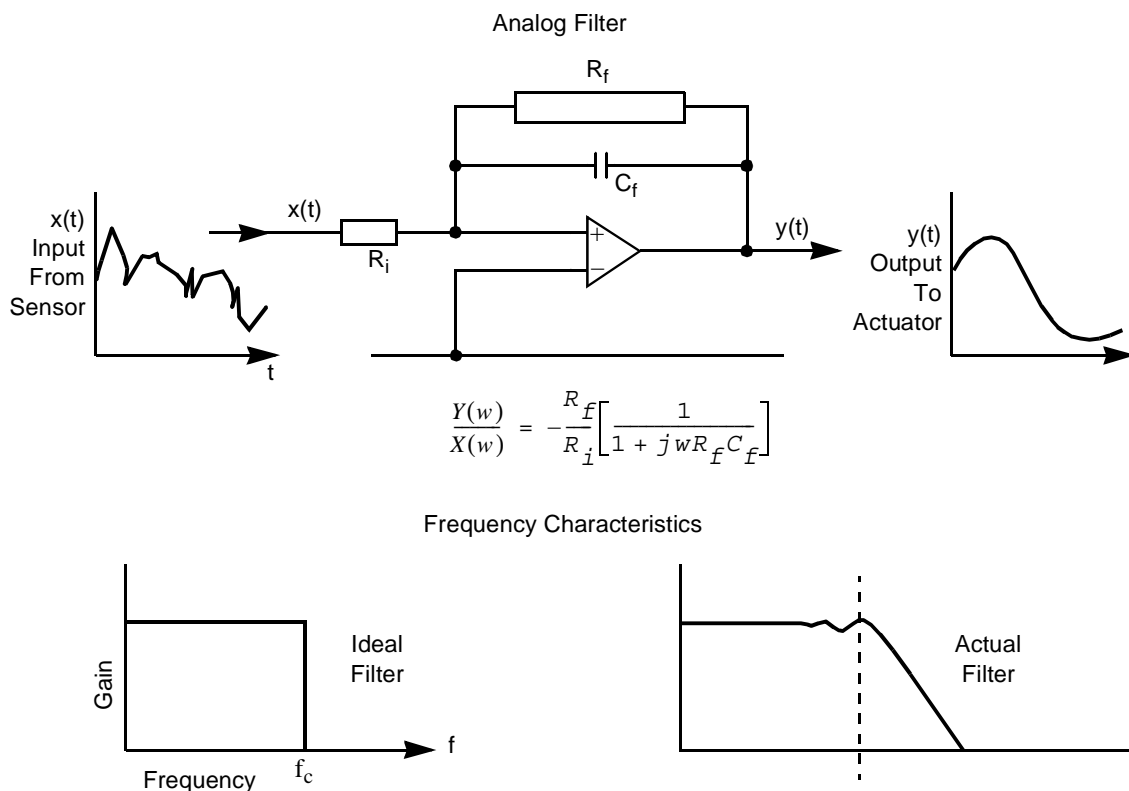
## 1.7 Direct Memory Access (DMA)

The Direct Memory Access (DMA) block permits data transfers without the interaction of the core. It supports any combination of internal memory, internal peripheral I/O and external memory as source and destination during accesses. The DMA block has the following features:

- Six DMA channels supporting internal and external accesses
- One-, two-, and three-dimensional transfers (including circular buffering)
- End-of-block-transfer interrupts
- Triggering from interrupt lines and all peripherals

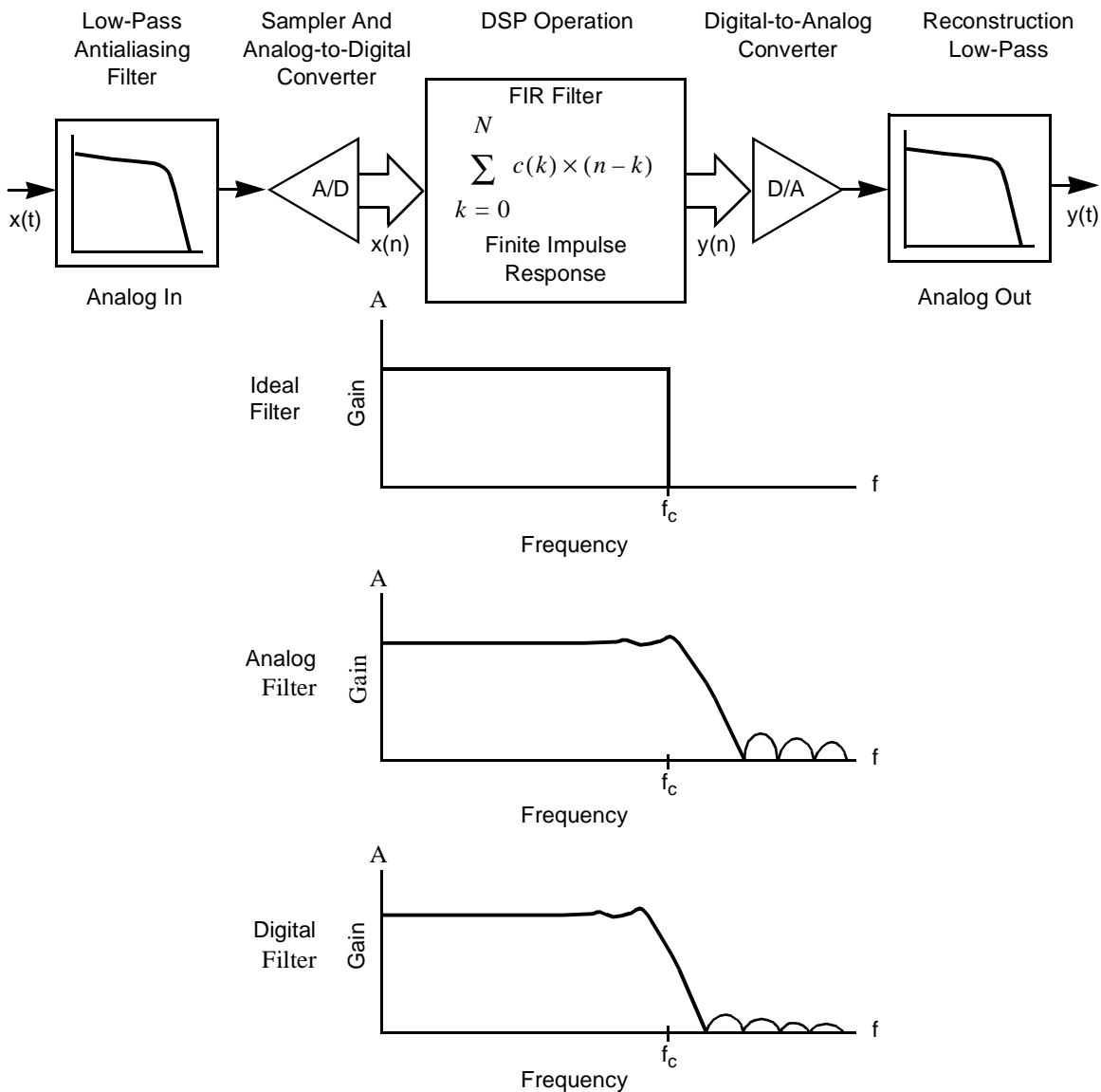
## 1.8 Introduction to Digital Signal Processing

**Figure 1-2** shows an example of analog signal processing. The circuit in the illustration filters a signal from a sensor using an operational amplifier and controls an actuator with the result. Since the ideal filter is impossible to design, the engineer must design the filter for acceptable response considering variations in temperature, component aging, power supply variation, and component accuracy. The resulting circuit typically has low noise immunity, requires adjustments, and is difficult to modify.



**Figure 1-2.** Analog Signal Processing

The equivalent circuit using a DSP is shown in **Figure 1-3**. This application requires an Analog-to-Digital (A/D) converter and Digital-to-Analog (D/A) converter in addition to the DSP. Even with these additional parts, the component count can be lower using a DSP due to the high integration available with current components. Processing in this circuit begins by band-limiting the input signal with an anti-alias filter, eliminating out-of-band signals that can be aliased back into the pass band due to the sampling process. The signal is then sampled, digitized with an A/D converter and sent to the DSP. The filter implemented by the DSP is strictly a matter of software. The DSP can directly employ any filter that can also be implemented using analog techniques. Also, adaptive filters are easy to implement using DSP but very difficult to implement using analog techniques.



**Figure 1-3.** Digital Signal Processing

The DSP output is processed by a D/A converter and is low-pass filtered to remove the effects of digitizing. The advantages of using the DSP include:

- Fewer components
- Stable, deterministic performance
- No filter adjustments
- Wide range of applications
- Filters with much closer tolerances
- High noise immunity
- Easily implemented adaptive filters
- Built-in self-test capability
- Better power supply rejection

The DSP56300 family is not a custom IC designed for a particular application; it is designed as a general-purpose DSP architecture to efficiently execute commonly used DSP benchmarks and controller code in minimal time.

**Figure 1-4** shows the following key attributes of a DSP:

- Multiply/Accumulate (MAC) operation
- Fetching up to two operands per instruction cycle for the MAC
- Program control to provide versatile operation
- Input/output to move data in and out of the DSP

The MAC operation is the fundamental operation used in DSP. The DSP56300 family of processors has a modified dual Harvard architecture optimized for MAC operations. **Figure 1-3** shows how the DSP56300 family architecture matches the shape of the MAC operation. The two operands,  $C()$  and  $X()$ , are directed to a multiply operation, and the result is summed. This process is built into the chip using two separate memories ( $X$  and  $Y$ ) to feed a single-cycle MAC unit. The entire process must occur under program control to direct the correct operands to the multiplier and save the accumulator as needed. Since the two memories and the MAC unit are independent, the DSP can perform two moves, a multiply and an accumulate, in a single operation. As a result, many DSP benchmarks execute very efficiently for a single-multiplier architecture.

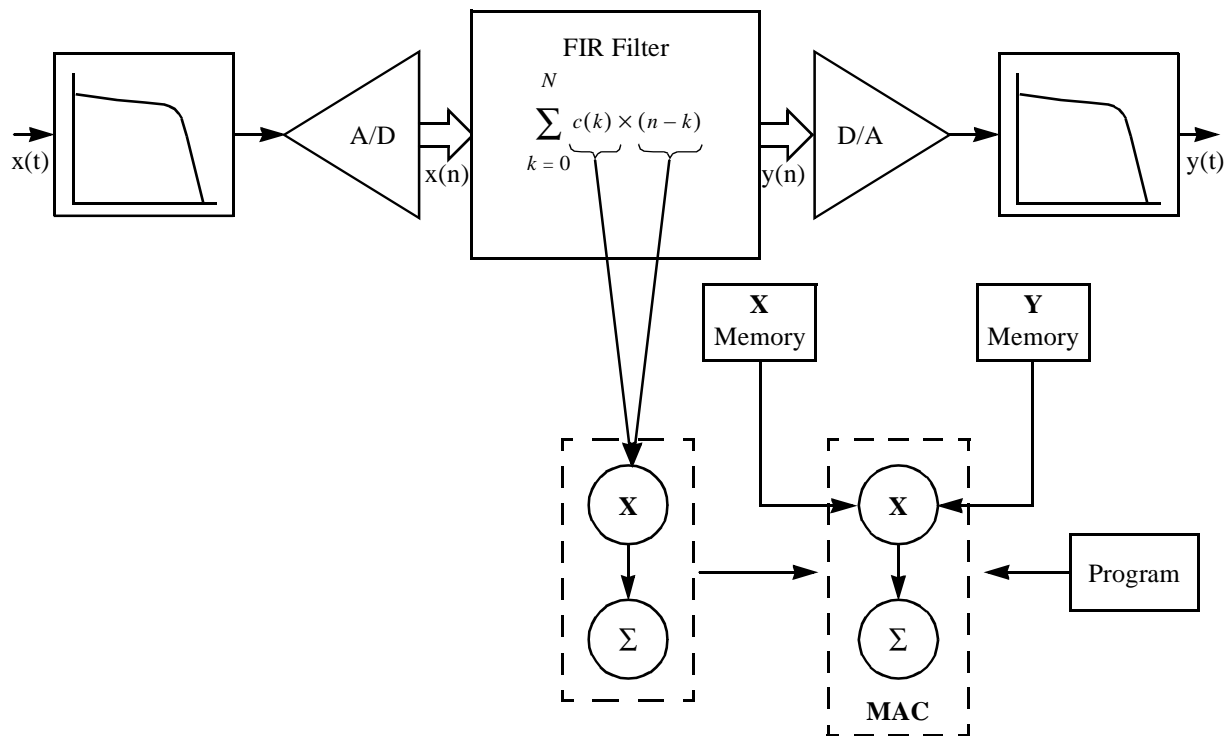


Figure 1-4. Mapping DSP Algorithms Into Hardware

## 1.9 Summary of Features

The high throughput of the DSP56300 family of processors makes them well-suited for wireless and wireline communication, high-speed control, efficient signal processing, numeric processing, and computer and audio applications. The main features that contribute to this high throughput include the following:

- *Speed:* The DSP56300 family supports most high-performance DSP applications.
- *Precision:* The data paths are 24 bits wide, providing 144 dB of dynamic range; intermediate results held in the 56-bit accumulators can range over 336 dB.
- *Parallelism:* Each on-chip execution unit, memory, and peripheral operates independently and in parallel with the other units through a sophisticated bus system. The Data ALU, AGU, and program controller operate in parallel so that the following can execute in a single instruction:
  - An instruction pre-fetch
  - A 24-bit  $\times$  24-bit multiplication
  - A 54-bit addition
  - Two data moves
  - Two address-pointer updates using either linear or modulo arithmetic
- *Flexibility:* While many other DSPs need external communications circuitry to interface with peripheral circuits (such as A/D converters, D/A converters, or host processors), the DSP56300 family provides on-chip serial and parallel interfaces that can support various

configurations of memory and peripheral modules. The peripherals are interfaced to the DSP56300 family core through a peripheral interface bus that provides a common interface to many different peripherals.

- *Sophisticated Debugging*: On-Chip Emulation (OnCE) technology allows simple, inexpensive, and speed independent access to the internal registers for debugging. With the OnCE module, you can determine easily the exact status of the registers and memory locations and what instructions were last executed.
- *Phase Locked Loop (PLL)-Based Clocking*: The PLL allows the chip to use almost any available external system clock for full-speed operation, while also supplying an output clock synchronized to a synthesized internal core clock. It improves the synchronous timing of the external memory port, eliminating the timing skew common on other processors.
- *Invisible Pipeline*: The seven-stage instruction pipeline is essentially invisible to the programmer, allowing straightforward program development in either assembly language or high-level languages such as C or C++.
- *Instruction Set*: The instruction mnemonics are similar to those used for microcontroller units, making the transition from programming microprocessors to programming the chip as easy as possible. New microcontroller instructions, addressing modes, and bit field instructions allow for significant decreases in program code size. The orthogonal syntax controls the parallel execution units. The hardware DO loop instruction and the repeat (REP) instruction make writing straight-line code obsolete.
- *Low Power*: Designed in CMOS, the DSP56300 family consumes very little power. Two additional low-power modes, Stop and Wait, further reduce power requirements. Wait is a low-power mode in which the DSP56300 family core is shut down, but the peripherals and interrupt controller continue to operate so that an interrupt can bring the chip out of Wait mode. In Stop mode, even more of the circuitry is shut down for the lowest power consumption. Several different ways exist to bring the chip out of Stop mode: hardware  $\overline{\text{RESET}}$ ,  $\overline{\text{IRQA}}$ , and  $\overline{\text{DE}}$ .

## 1.10 Manual Organization

This manual describes the DSP56300 core in detail. Use this manual in conjunction with the appropriate DSP56300 family member user's manual, which describes the memory, operating modes, and peripheral modules. The appropriate DSP56300 family technical data sheet describes timing, pinout, and packaging. This manual presents practical information to help you:

- Understand the operation and instruction set of the DSP56300 family
- Write code for DSP algorithms
- Write code for general control tasks
- Write code for communication routines
- Write code for data manipulation algorithms

**Table 1-1** describes the contents of each chapter and each appendix.

**Table 1-1. DSP Family Manual Chapters**

Chapter/ Appendix	Title and Description
2	<b>Core Architecture Overview</b> —The DSP56300 family core architecture consists of an External Memory Interface (Port A), Data Arithmetic Logic Unit (Data ALU), Address Generation Unit (AGU), Program Control Unit (PCU), Direct Memory Access (DMA) controller, Phase Locked Loop (PLL) circuit, and a JTAG/On-Chip Emulation (OnCE) port. Chapter 2 describes each subsystem and the buses interconnecting the major components in the DSP56300 family central processing module. Chapter 2 also describes five of the six processing states (Normal, Exception, Reset, Wait, and Stop). The sixth processing state (Debug) is covered more completely in <b>Chapter 7, Debugging Support</b> .
3	<b>Data Arithmetic Logic Unit</b> —Data ALU architecture, its programming model, an introduction to fractional and integer arithmetic, and a discussion of other topics such as unsigned and multi-precision arithmetic on the DSP56300 family.
4	<b>Address Generation Unit</b> —AGU architecture, its programming model, addressing modes, and address modifiers.
5	<b>Program Control Unit</b> —Program controller architecture, its programming model, and hardware looping. Note, however, that the different processing states of the DSP56300 family core, including interrupt processing, are described in <b>Chapter 2, Core Architecture Overview</b> .
6	<b>PLL and Clock Generator</b> —Details the PLL, its programming model, and its general operation.
7	<b>Debugging Support</b> —Combined JTAG/OnCE port and its functions. These two are integrally related, sharing the same pins for I/O.
8	<b>Instruction Cache</b> —Operation of the instruction cache and memory space.
9	<b>External Memory Interface (Port A)</b> —The External Memory Interface, its programming model, and guidelines for interfacing SRAM and DRAM.
10	<b>DMA Controller</b> —The six-channel <b>Direct Memory Access (DMA)</b> controller, its programming model, and interactions with the core and peripherals.
11	<b>Operating Modes and Memory Spaces</b> —Operating modes and memory spaces in the DSP56300 family.
12	<b>Guide to the Instruction Set</b> — The DSP56300 family instruction format as well as partial encodings for use in instruction encoding
13	<b>Instruction Set</b> — Each DSP56300 family instruction, its use, and its effect on the processor.
A	<b>Instruction Timing and Restrictions</b> — Various aspects of execution timing analysis for each instruction, sequences that may cause timing delays or stalls, and programming restrictions.
B	<b>Benchmark Programs</b> —DSP56300 family benchmark example programs and results.
C	<b>From CDR Process to HiP Process</b> — General differences between DSP56300 family derivatives that use Communication Design Rules (CDR) process technology and derivatives that use the Freescale High-Performance (HiP) process technology; software and hardware design implications.



The latest electronic version of this document as well as other DSP documentation (including user's manuals, product briefs, technical data sheets, and errata) can be found at the web site listed on the back cover of this manual.

## 1.11 Manual Conventions

This manual uses the following conventions:

- Bits within registers are always listed from most significant bit (MSB) to least significant bit (LSB).
- Bits within a register are indicated by AA[n – m], when more than one bit is involved in a description. For purposes of description, the bits are presented as if they are contiguous within a register. However, this is not always the case. Refer to the programming model diagrams in the device-specific user's manual to see the exact location of bits within a register.
- When a bit is described as “set,” its value is 1. When a bit is described as “cleared,” its value is 0.
- The word “assert” means that a high true (active high) signal is pulled high to  $V_{CC}$  or that a low true (active low) signal is pulled low to ground. The word “deassert” means that a high true signal is pulled low to ground or that a low true signal is pulled high to  $V_{CC}$ . See **Table 1-2**.
- Signals in a range are indicated by the first and last signals in the range enclosed in square brackets, for example A[0 – 23].

**Table 1-2.** High True/Low True Signal Conventions

Signal/Symbol	Logic State	Signal State	Voltage
$\overline{\text{PIN}}^1$	True	Asserted	Ground <sup>2</sup>
PIN	False	Deasserted	$V_{CC}^3$
PIN	True	Asserted	$V_{CC}$
PIN	False	Deasserted	Ground

1. PIN is a generic term for any pin on the device.  
 2. Ground is an acceptable low voltage level. See the appropriate data sheet for the range of acceptable low voltage levels (typically a TTL logic low).  
 3.  $V_{CC}$  is an acceptable high voltage level. See the appropriate data sheet for the range of acceptable high voltage levels (typically a TTL logic high).

- Pins or signals that are asserted low (made active when pulled to ground) are indicated like this:
  - In text, they have an overbar: for example,  $\overline{\text{RESET}}$  is asserted low.

- In code examples, they have a tilde in front of their names. In **Example 1-1**, line 3 refers to the  $\overline{SS0}$  signal (shown as  $\sim SS0$ ).
- Sets of signals are indicated by the last and first signals in the set, for instance HA[8 – 1].
- “Input/Output” indicates a bidirectional signal. “Input or Output” indicates a signal that is exclusively one or the other.
- Code examples are displayed in a monospaced font, as shown in **Example 1-1**.

### Example 1-1. Sample Code Listing

```
BFSET#0x0007,X:PCC; Configure:           line 1
; MISO0, MOSI0, SCK0 for SPI master      line 2
; ~SS0 as PC3 for GPIO                   line 3
```

- Hex values are indicated with a dollar sign (\$) preceding the hex value, as follows: \$FFFFFFF is the X memory address for the core interrupt priority register.
- A Kilobyte (KB) is 1024 bytes.
- A Megabyte (MB) is 1024 x 1024 (1,048,576) bytes.
- A word is 24 bits.
- The word “reset” appears in four different contexts in this manual:
  - the reset signal, written as  $\overline{RESET}$
  - the reset instruction, written as RESET
  - the reset operating state, written as Reset
  - the reset function, written as reset

## 1.12 Revision History for Revisions 4 and 5

**Table 1-3** lists the changes made in this manual from Revision 3 to Revision 4 and from Revision 4 to Revision 5.

**Table 1-3.** Change History, Revision 3 to Revision 4 and From Revision 4 to Revision 5

Change	Section Number	Revision 3 Page Number	Revision 4 Page Number	Revision 5 Page Number
Change in required instructions to ensure that no maskable interrupts occur during a non-interruptible code sequence	<b>Section 2.3.2</b>	page 2-17	page 2-15	
Modified stack extension description	<b>Section 4.3.2</b>	page 4-5	page 4-4 to page 4-5	
Operating Mode Register (OMR) bit 11 definition	<b>Section 5.4.1.1, Table 5-2</b>	page 5-9	page 5-8	
System stack configuration description	<b>Section 5.4.3</b>	page 5-19	page 5-16	

**Table 1-3.** Change History, Revision 3 to Revision 4 and From Revision 4 to Revision 5

Change	Section Number	Revision 3 Page Number	Revision 4 Page Number	Revision 5 Page Number
Added note about the DSP56321 DPLL and clock modules	<b>Chapter 6</b>	page 6-1	page 6-1	
Updated VCO description	<b>Section 6.2.3</b>	page 6-3	page 6-3	
Modified design guidelines for ripple and PCAP	<b>Section 6.5</b> <b>Figure 6-3</b>	page 6-11	Figure 6-5, page 6-11	
Modified Port A descriptions	<b>Section 9.1</b> <b>Table 9-2</b>	page 9-2	page 9-2	
Added note about DRAM support	<b>Section 9.2.3</b>	page 9-8	page 9-8	
Clarified BLH bit description and modified trailing wait state definition for DSP56321 only	<b>Section 9.6.2</b> <b>Table 9-5</b>	page 9-19	page 9-19	
Added note for the DRAM control register	<b>Section 9.6.3</b>	page 9-21	page 9-21	
Redefined DMA end-of-block transfer operation	<b>Section 10.4.1.2</b> <b>Table 10-5</b>	page 10-9 to 10-10	page 10-9 page 10-16	
Modified X0 register description example for the INSERT instruction	<b>Chapter 13</b>	page 13-79	page 13-79	
Replaced text and added scenarios in which a non-interruptable code sequence is desired.	<b>Section 2.3.2.8</b>			page 2-15



# Core Architecture Overview

This chapter describes the DSP56300 family core, a powerful DSP engine that can execute an instruction on every clock cycle. The parts of the DSP56300 core are described in the following chapters:

- **Chapter 3**, *Data Arithmetic Logic Unit*
- **Chapter 4**, *Address Generation Unit*
- **Chapter 5**, *Program Control Unit*
- **Chapter 6**, *PLL and Clock Generator*
- **Chapter 7**, *Debugging Support*
- **Chapter 8**, *Instruction Cache*
- **Chapter 9**, *External Memory Interface (Port A)*
- **Chapter 10**, *DMA Controller*

To minimize the total system cost for customer applications, the DSP56300 core external memory interface, Port A, is powerful and versatile, providing a glueless interface to DRAMs (in some DSPs), SRAMs, and other memories via an on-chip DRAM controller (in some DSPs) as well as chip select logic. To assist with data movement over Port A and internally, the concurrent six-channel DMA augments the data throughput that characterizes DSP applications.

The core is designed for low power consumption in Normal and Wait and Stop modes. In Normal mode, only the blocks demanded for processing are active. Wait and Stop modes take the power savings a step further by closing down large portions of the core during periods of system inactivity. The integrated on-chip peripherals and memory (including instruction cache) also reduce power consumption by reducing the external bus accesses. As for the core execution units, only the memory modules being accessed consume power, so on-chip memory expansion does not increase power significantly. Limiting the external bus accesses saves on system power. Finally, the Phase Locked Loop (PLL) can scale power consumption down with lower clock frequencies under user software control.

Low-power features of the DSP56300 family core include the following:

- Very low-power CMOS design
- Low-power Wait standby mode
- Ultra-low power Stop mode

- Power management units for further power reduction
- Fully static logic, with operation frequency down to DC

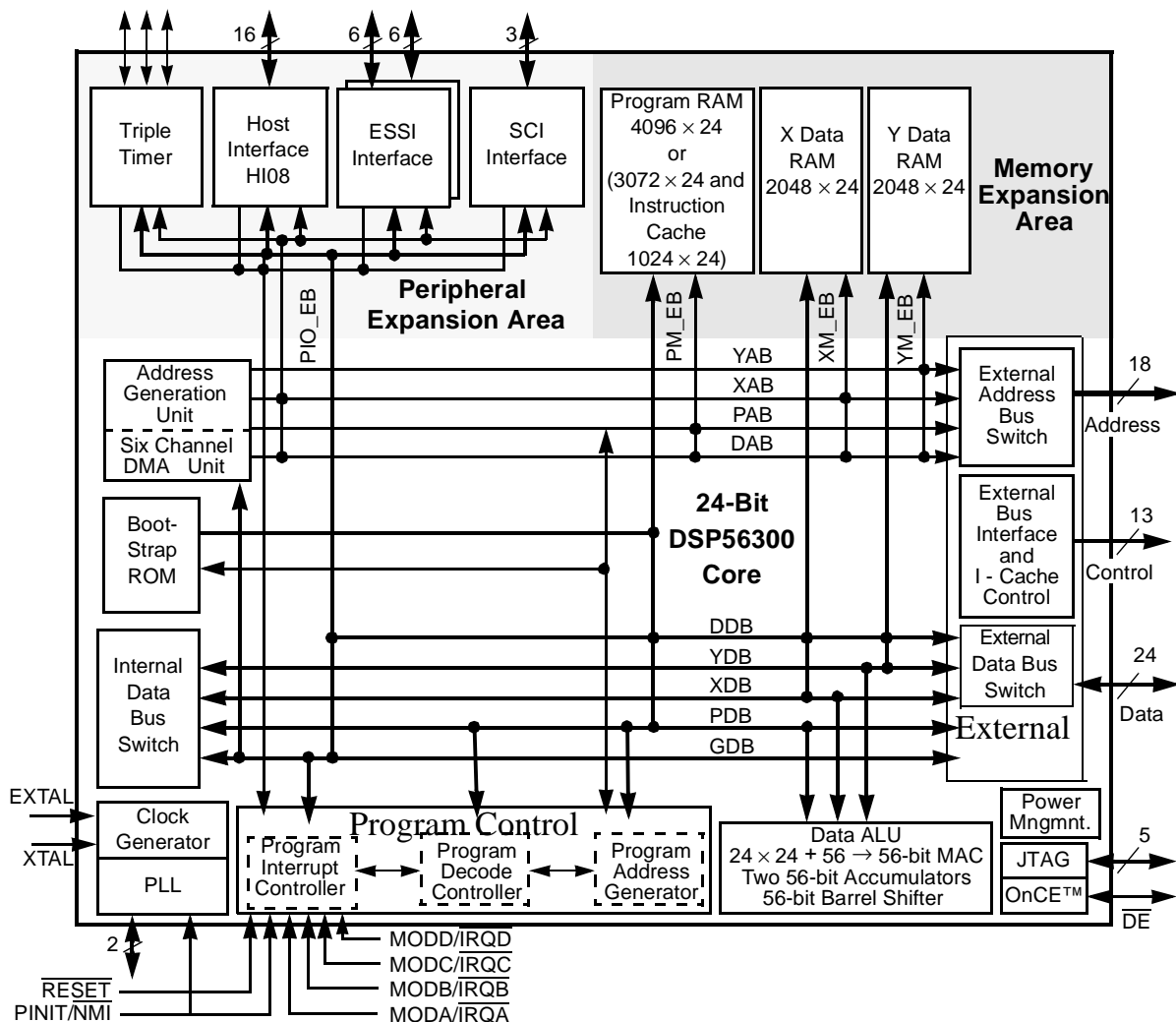
Sixteen-bit Compatibility mode enables full compatibility to object code written for the DSP56000 family of DSPs. Sixteen-bit Compatibility mode, which invokes 16-bit addressing capability, differs from the Sixteen-bit Arithmetic mode, which invokes 16-bit arithmetic operations. These modes are configured by two separate bits (SA and SC) in the Status Register (SR), which are described in **Chapter 5, Program Control Unit**.

## 2.1 Core Buses

The following 24-bit buses provide data exchange between the main core blocks:

Global Data Bus	GBD	Between Program Control Unit and other core structures
Peripheral I/O Expansion Bus	PIO_EB	To peripherals
Program Memory Expansion Bus	PM_EB	To Program ROM
Program Data Bus	PDB	Carries program data throughout the core
Program Address Bus	PAB	Carries program memory addresses throughout the core
X Memory Expansion Bus	XM_EB	To X memory
X Memory Data Bus	XDB	Carries X data throughout the core
X Memory Address Bus	XAB	Carries X memory addresses throughout the core
Y Memory Expansion Bus	YM_EB	To Y Memory
Y Memory Data Bus	YDB	Carries Y data throughout the core
Y Memory Address Bus	YAB	Carries Y memory addresses throughout the core
DMA Data Bus	DDB	Transfers data with DMA channels
DMA Address Bus	DAB	Transfers address information with DMA channels

**Figure 2-1** is a block diagram of the DSP56303, a member of the DSP56300 family. The diagram illustrates the core blocks of the DSP56300 family and shows representative peripherals for a DSP56300 family chip implementation.



**Figure 2-1.** DSP56303 Block Diagram

**Note:** The registers in the core are discussed in detail in the chapters on the individual functional blocks.

## 2.2 Core Processing

As for all DSPs, the operation of the DSP56300 core is a combination of software and hardware interactions. This processing environment consists of the following components:

- **Instruction Set:** The instruction set provides the programming language for processing the algorithms required by specific applications. **Chapter 12, Guide to the Instruction Set**, presents the DSP56300 instruction format as well as partial encodings for use in

instruction encoding. **Chapter 13, *Instruction Set***, lists the instructions in alphabetical order and describes each instruction in detail.

- *Core Modules*: These circuits transfer and modify data. They are generally configured through internal registers and activated or disabled by a combination of hardware signals (interrupts, request signals, and so on) and software. Chapters 3-10 of this document describe the structure and function of the various core modules.
- *Processing States*: Core processing states modify the operation of the core processor and the core modules that operate independently and in parallel to the core. These states include:
  - *Normal*: The typical operating mode in which code loads into the core processor and executes.
  - *Exception*: An event interrupts the normal execution flow. The processor halts normal processing and, depending on the event, may store the current operating environment, load a special handler program to respond to the exception, execute the handler program, and then return to normal execution flow. Typical exception causes can be software processing events or hardware service requests, such as peripheral or external device interrupts.
  - *Reset*: All execution halts and the processor and its registers in all peripherals are restored to a predetermined value that allows reloading of the executing code and reinitiation of the execution flow. Typically, if an operation has caused an unrecoverable error (that is, the handler cannot compensate for the exception event that halted normal processing), invoking the Reset mode, either by software or by asserting the physical  $\overline{\text{RESET}}$  signal, restores operational functioning.
  - *Wait*: Typically invoked by the WAIT instruction; the application requires only minimal processing. To save power, most operations stop until an event occurs that requires the processing to restart. Clock signals remain functional, so a quick restart is possible.
  - *Stop*: Typically invoked by using the STOP instruction; the application does not require immediate processing and a slow restart is acceptable (only if the PLL is disabled). All clock functions and operations halt, except for the ability to respond to an initiating event (that is,  $\overline{\text{RESET}}$ ,  $\overline{\text{DE}}$ , or  $\overline{\text{IRQA}}$ ).
  - *Debug*: Application developers can operate the system under the control of the JTAG Test Access Port and Boundary Scan function or the OnCE module. In this mode, an application can run a single instruction at a time, or sets of instructions at a time, until some defined event occurs, typically called a breakpoint.

## 2.3 Processing States

The following paragraphs describe the DSP56300 core processing states.



### 2.3.1 Normal Processing State

The Normal processing state is associated with instruction execution. DSP56300 core instructions execute in a seven-stage pipeline, typically at a rate of one instruction every clock cycle. However, the following instructions require additional time to execute:

- All double-word instructions
- Instructions with an addressing mode that requires more than one cycle for the address calculation
- Instructions causing a change of flow

Instruction pipelining allows overlapping of instruction execution so that a pipeline stage of a given instruction occurs concurrently with pipeline stages of other instructions. Only one word is fetched per cycle, so for double-word instructions, the second word of an instruction is fetched before the next instruction is fetched. **Table 2-1** describes the seven stages of the DSP56300 core pipeline. The first and second instructions in **Table 2-1** are referred to as n1 and n2. The third instruction, n3, which contains an instruction extension word, n3e, takes two clock cycles to execute. The extension word is either an absolute address or immediate data. Although it takes seven clock cycles for the pipeline to fill and the first instruction to execute, a further instruction usually completes on each clock cycle.

**Table 2-1.** Instruction Pipeline

Operation	Instruction Cycle										
	1	2	3	4	5	6	7	8	9	10	11
Fetch 1	n1	n2	n3	n3e	n4	n5	n6	n7	n8	n9	n10
Fetch 2		n1	n2	n3	n3e	n4	n5	n6	n7	n8	n9
Decode			n1	n2	n3	n3e	n4	n5	n6	n7	n8
Address Gen 1				n1	n2	n3	n3e	n4	n5	n6	n7
Address Gen 2					n1	n2	n3	n3e	n4	n5	n6
Execute 1						n1	n2	n3	n3e	n4	n5
Execute 2							n1	n2	n3	n3e	n4
n1 = first instruction; n2 = second instruction; and so forth n3e = instruction extension word											

Each instruction requires a minimum of seven clock cycles to fetch, decode, and execute. This results in a delay of seven clock cycles from power-up to fill the pipeline. A new instruction may begin immediately following the previous instruction. Two-word instructions require a minimum of eight clock cycles to execute (seven cycles for the first instruction word to move through the pipe and execute and one more cycle for the second word to execute). For a complete description of the execution timing of the various instructions, see **Chapter A, Instruction Timing and Restrictions**.

## 2.3.2 Exception Processing State (Interrupt Processing)

The Exception Processing state is associated with interrupts that are generated by conditions inside the DSP or by external sources. There are many sources for interrupts to the DSP56300 core, some generating more than one interrupt. An interrupt vector scheme with 128 vectors of defined priority provides fast interrupt service. Interrupt processing in the DSP56300 core proceeds as follows:

1. A hardware interrupt is synchronized with the DSP56300 core clock, and the interrupt pending flag for that particular hardware interrupt is set. An interrupt source can have only one interrupt pending at any given time.
2. All pending interrupts (external and internal) are arbitrated to select the interrupt to be processed. The arbiter automatically ignores any interrupts with an Interrupt Priority Level (IPL) lower than the interrupt mask level in the SR and selects the remaining interrupt with the highest IPL.
3. The interrupt controller freezes the Program Counter (PC) and fetches two instructions at the two interrupt vector addresses associated with the selected interrupt.
4. The interrupt controller inserts the two instructions into the instruction stream and releases the PC, which is used for the next instruction fetch. The next interrupt arbitration then begins.

When a fast interrupt executes, the state of the machine is not saved on the stack if neither of the two instructions is a Jump To Subroutine (JSR) instruction (for example, a JSCLR). A long interrupt executes if one of the interrupt instructions fetched is a JSR instruction. The PC is immediately released, the SR and the PC are saved in the stack, and the jump instruction controls from where the next instruction is fetched.

**Note:** Any Jump to Subroutine (JSR) instruction makes the interrupt long (for example, JScc, BSSET, and so on.).

One of the main uses of interrupts is to transfer data between DSP memory or registers and a peripheral device. When such an interrupt occurs, a limited context switch with minimum overhead is often desirable. This limited context switch is accomplished by a fast interrupt. The long interrupt is used when a more complex task must be accomplished to service the interrupt.

Exceptions can be generated from one of two groups, core and peripherals, and can originate from any of the 128 vector locations listed in **Table 2-2**. The table lists only the sources originating from the core. For sources originating from peripherals, see the device-specific user's manual. **Table 2-2** shows the corresponding interrupt starting address for each interrupt source. These addresses reside in the 256 locations of program memory to which the Vector Base Address Register (VBA) in the PCU points. When an interrupt is serviced, the instruction at the interrupt starting address is fetched first. Because the program flow is directed to a different starting address for each interrupt, the interrupt structure of the DSP56300 core is said to be

vectored. A vectored interrupt structure has low overhead execution. If certain interrupts will definitely not be used, their vector locations can be used for program or data storage.

**Table 2-2. Interrupt Sources**

Interrupt Starting Address	Interrupt Priority Level (IPL)	Interrupt Source
VBA:\$00	3	Hardware RESET
VBA:\$02	3	Stack Error
VBA:\$04	3	Illegal Instruction
VBA:\$06	3	Debug Request Interrupt
VBA:\$08	3	Trap
VBA:\$0A	3	Non-Maskable Interrupt (NMI)
VBA:\$0C	3	Reserved for Future Level—3 Interrupt Source
VBA:\$0E	3	Reserved for Future Level—3 Interrupt Source
VBA:\$10	0–2	IRQA
VBA:\$12	0–2	IRQB
VBA:\$14	0–2	IRQC
VBA:\$16	0–2	IRQD
VBA:\$18	0–2	DMA Channel 0
VBA:\$1A	0–2	DMA Channel 1
VBA:\$1C	0–2	DMA Channel 2
VBA:\$1E	0–2	DMA Channel 3
VBA:\$20	0–2	DMA Channel 4
VBA:\$22	0–2	DMA Channel 5
VBA:\$24	0–2	Peripheral interrupt request 1
VBA:\$26	0–2	Peripheral interrupt request 2
:	:	
VBA:\$FE	0–2	Peripheral interrupt request 110

The 128 interrupts are prioritized into four levels. Level 3, the highest priority level, is not maskable. Levels 0–2 are maskable. The interrupts within each level are prioritized.

### 2.3.2.1 Hardware Interrupt Source

Two types of hardware interrupts to the DSP56300 core exist: internal and external. The internal interrupts come from on-chip sources:

- Stack Error
- Illegal Instruction

- Debug Request
- Trap
- DMA
- Peripherals

Each internal interrupt source is serviced if it is not masked. When serviced, the interrupt request is cleared. Each maskable, internal interrupt source has independent enable control. The external hardware interrupts are:  $\overline{\text{NMI}}$ ,  $\overline{\text{IRQA}}$ ,  $\overline{\text{IRQB}}$ ,  $\overline{\text{IRQC}}$ , and  $\overline{\text{IRQD}}$ . The  $\overline{\text{NMI}}$  interrupt is an edge-triggered, Non-Maskable Interrupt (NMI) for use in software development, watch-dog, power fail detect, and so on. The  $\overline{\text{IRQA}}$ ,  $\overline{\text{IRQB}}$ ,  $\overline{\text{IRQC}}$ , and  $\overline{\text{IRQD}}$  interrupts can be programmed to be level-sensitive or edge-triggered. Since the level-sensitive interrupts are not automatically cleared when they are serviced, they must be cleared by other means before the end of the interrupt routine because multiple interrupts must be prevented. Usually, external hardware detects the interrupt acknowledge of the core interrupt and removes the interrupt request source.

The edge-triggered interrupts are latched as pending on the high-to-low transition of the interrupt input and are automatically cleared when the interrupt is serviced.  $\overline{\text{IRQA}}$ ,  $\overline{\text{IRQB}}$ ,  $\overline{\text{IRQC}}$ , and  $\overline{\text{IRQD}}$  can be programmed to one of three priority levels: 0, 1, or 2, all of which are maskable. Additionally, these interrupts have independent enable control.

When the  $\overline{\text{IRQA}}$ ,  $\overline{\text{IRQB}}$ ,  $\overline{\text{IRQC}}$ , and  $\overline{\text{IRQD}}$  interrupts are disabled in the interrupt priority register, the pending request is ignored, regardless of whether the interrupt input was defined as level-sensitive or edge-triggered. Additionally, as long as an interrupt (edge or level sensitive) is disabled, its detection latch remains in the Reset state. If the level-sensitive interrupt is disabled while the interrupt is pending, the pending interrupt is cancelled. However, if the interrupt has been fetched, it is not cancelled.

**Note:** On all external, level-sensitive interrupt sources, the interrupt should be serviced (that is, the interrupt source cleared) by the instructions at the interrupt vector for a fast interrupt, or by a long interrupt routine.

### 2.3.2.2 Software Interrupt Sources

There are two software interrupt sources:

- *Illegal Instruction Interrupt (III)*: A Non-Maskable Interrupt (IPL 3) that is serviced immediately after the illegal instruction executes or attempts to execute (any undefined operation code)
- *TRAP*: A Non-Maskable Interrupt (IPL 3) that is serviced immediately after the TRAP or TRAPcc instruction executes (condition true)

### 2.3.2.3 Interrupt Priority Structure

Four Interrupt Priority Levels (IPLs) exist. IPLs are numbered from 0 (the lowest level) to 3 (the highest level). IPLs 0, 1, and 2 are maskable. Level 3 is non-maskable. The IPL 3 interrupts are:

- Hardware Reset
- Illegal Instruction Interrupt (III)
- Stack Error
- TRAP
- NMI
- Debug

The interrupt mask bits (I1, I0) in the SR reflect the current processor priority level and indicate the IPL needed for an interrupt source to interrupt the processor (see **Table 2-3**). Interrupts are inhibited for all priority levels less than the current processor priority level. However, level 3 interrupts are not maskable and therefore can always interrupt the processor.

**Table 2-3.** Status Register Interrupt Mask Bits

I1	I0	Interrupts Permitted	Interrupts Masked
0	0	IPL 0, 1, 2, 3	None
0	1	IPL 1, 2, 3	IPL 0
1	0	IPL 2, 3	IPL 0, 1
1	1	IPL 3	IPL 0, 1, 2
<b>Note:</b> For details on the Status Register, see <b>Chapter 5, Program Control Unit</b> .			

The DSP56300 core has two interrupt priority registers: IPRC that is dedicated for DSP56300 core interrupt sources and IPRP that is dedicated for the peripheral interrupt sources specific to the chip. These control registers are mapped on the internal X I/O memory space. The Interrupt Priority Level (IPL) for each interrupt source is software programmable. Each on-chip or external peripheral device can be programmed to one of the three maskable priority levels (IPL 0, 1, or 2). IPLs are set by writing to the interrupt priority registers shown in **Figure 2-2** and **Figure 2-3**. These two read/write registers specify the IPL for each of the interrupting devices. In addition, the IPRC register specifies the trigger mode of each external interrupt source and enables or disables the individual external interrupts. These registers are cleared on hardware reset or by the RESET instruction. **Table 2-4** defines the IPL bits. **Table 2-5** defines the External Interrupt Trigger mode bit.

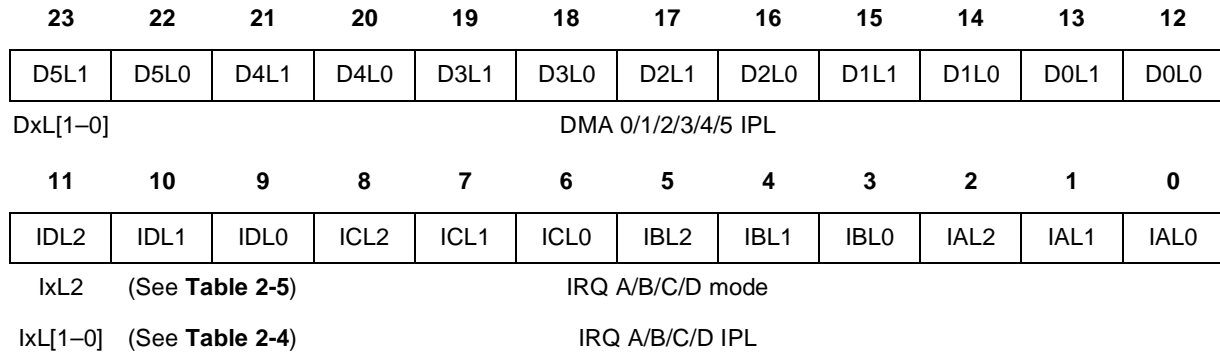


Figure 2-2. Interrupt Priority Register C (IPRC)

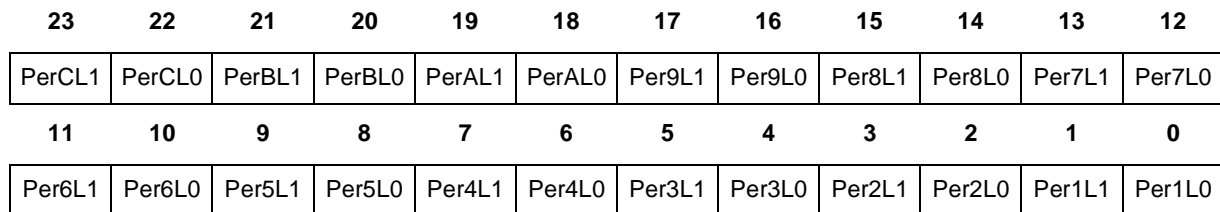


Figure 2-3. Interrupt Priority Register P (IPRP)

Table 2-4. Interrupt Priority Level Bits

IxL1	IxL0	Enabled	IPL
0	0	No	—
0	1	Yes	0
1	0	Yes	1
1	1	Yes	2

Table 2-5. External Interrupt Trigger Mode Bit

IxL2	Trigger Mode
0	Level
1	Negative Edge

If more than one exception is pending when an instruction executes, the interrupt with the highest priority level is serviced first. When multiple interrupt requests with the same IPL are pending, a second fixed-priority structure within that IPL determines which interrupt is serviced. **Table 2-6** shows the interrupt priority for all interrupts.

**Table 2-6.** Exception Priorities Within an IPL

Priority	Exception
<b>Level 3 (Nonmaskable)</b>	
<b>Highest</b>	Stack Error
	Illegal Instruction
	Debug Request Interrupt
	Trap
	Non-Maskable Interrupt ( $\overline{\text{NMI}}$ )
<b>Lowest</b>	Non-Maskable Peripheral Interrupt
<b>Levels 0, 1, 2 (Maskable)</b>	
<b>Highest</b>	$\overline{\text{IRQA}}$ (External Interrupt)
	$\overline{\text{IRQB}}$ (External Interrupt)
	$\overline{\text{IRQC}}$ (External Interrupt)
	$\overline{\text{IRQD}}$ (External Interrupt)
	DMA Channel 0 Interrupt
	DMA Channel 1 Interrupt
	DMA Channel 2 Interrupt
	DMA Channel 3 Interrupt
	DMA Channel 4 Interrupt
	DMA Channel 5 Interrupt
<b>Lowest</b>	Peripheral interrupt sources*
*See device-specific user's manual	
<b>Note:</b> The higher-priority interrupt is at the lower vector address.	

### 2.3.2.4 Instructions Preceding the Interrupt Instruction Fetch

The following conditions apply to instructions preceding an interrupt instruction fetch:

- Every instruction requiring more than one cycle to execute is aborted when it is fetched in the cycle preceding the fetch of the first interrupt instruction word.
- Aborted instructions are fetched again when program control returns from the interrupt routine. The PC is adjusted appropriately before the end of the decode cycle of the aborted instruction.

- If the first interrupt word fetch occurs in the cycle following the fetch of a one-word-one-cycle instruction, that instruction completes normally before the start of the interrupt routine.
- During an interrupt instruction fetch, two instruction words are fetched — the first from the interrupt starting address and the second from the next address.

### 2.3.2.5 Interrupt Types

Two types of interrupt routines can be used: fast and long. The fast routine consists of the two automatically inserted interrupt instruction words. These words can be any unrestricted, single two-word instruction or any two unrestricted one-word instructions, except RTI or RTS. Fast interrupt routines are not interruptible.

**Note:** Status is not preserved during a fast interrupt routine; therefore, instructions that modify status should not be used at the interrupt starting address or next address.

If one of the instructions in the fast routine is a JSR, then a long interrupt routine is formed. The following actions occur during execution of the JSR instruction when it occurs in the interrupt starting address or in the next address:

1. The PC (containing the return address) and the SR are stacked.
2. The Loop Flag is cleared.
3. The Scaling mode bits (S[1–0]) in the Status Register (SR) are cleared.
4. The Sixteen-bit Arithmetic (SA) mode bit is cleared.
5. The IPL is raised to disallow further interrupts of the same or lower levels.  
See **Table 2-6**.

Only the long interrupt routine should be terminated by an RTI. Long interrupt routines are interruptible by higher-priority interrupts.

**Note:** Do not use RTI for fast interrupts.

### 2.3.2.6 Interrupt Arbitration

External interrupts are internally synchronized with the processor clock before their interrupt-pending flags are set. Each external interrupt and internal interrupt has its own flag. After each instruction executes, all interrupts are arbitrated (that is, all hardware interrupts that have been latched into their respective interrupt-pending flags and all internal interrupts). During arbitration, each interrupt's IPL is compared with the interrupt mask in the SR, and the interrupt is either allowed or disallowed. The remaining interrupts are prioritized according to the priority shown in **Table 2-6**, and the highest priority interrupt is chosen. The interrupt vector is then calculated so that the program interrupt controller can fetch the first interrupt instruction. The interrupt-pending flag for the chosen interrupt is not cleared until the second interrupt vector of



the chosen interrupt is fetched. A new interrupt from the same source is not accepted for the next interrupt arbitration until the interrupt-pending flag is cleared.

### 2.3.2.7 Interrupt Instruction Fetch

The interrupt controller generates an interrupt instruction fetch address, which points to the first instruction word of a two-word interrupt routine. This address is used for the next instruction fetch, instead of the contents of the PC, and again for the subsequent address after that. While the interrupt instructions are being fetched, the PC is not updated. After the two interrupt words have been fetched, the PC is used for any subsequent instruction fetches.

### 2.3.2.8 Interrupt Instruction Execution

Interrupt instruction execution is considered “fast” if neither of the instructions of the interrupt service routine cause a change of flow. A JSR within a fast interrupt routine forms a long interrupt, which is terminated with an RTI instruction to restore the PC and SR from the stack and return to normal program execution. Reset is a special exception that normally contains only a JMP instruction at the exception start address. Almost any instruction can be used in a fast interrupt routine. A fast interrupt routine may contain either two single-word instructions or one double-word instruction. **Table 2-7** shows the effect of a fast interrupt routine on the instruction pipeline. The fast interrupt executes only two instructions (ii1 and ii2) and then automatically resumes execution of the main program. **Table 2-8** shows the effect of a long interrupt routine on the instruction pipeline. A short JSR (ii1) is used to call the long interrupt routine which includes the four instructions sr1, sr2, sr3, and an rti. Instructions ii2, n3, sr5, and sr6 are neither decoded nor executed.

**Table 2-7.** Fast Interrupt Pipeline

Operation	Instruction Cycle											
	1	2	3	4	5	6	7	8	9	10	11	12
Fetch 1	n1	n2	ii1	ii2	n3	n4						
Fetch 2		n1	n2	ii1	ii2	n3	n4					
Decode			n1	n2	ii1	ii2	n3	n4				
Address Gen 1				n1	n2	ii1	ii2	n3	n4			
Address Gen 2					n1	n2	ii1	ii2	n3	n4		
Execute 1						n1	n2	ii1	ii2	n3	n4	
Execute 2							n1	n2	ii1	ii2	n3	n4
<b>Notes:</b> 1. n = normal instruction word 2. ii = interrupt instruction word												

Execution of a fast interrupt routine always conforms to the following rules:

- The processor status is not saved.
- The fast interrupt routine can modify the status of the normal instruction stream (for example, use the DO instruction, but such instructions should not be used in order to assure proper operation).
- The PC, which contains the address of the next instruction to be executed in normal processing, remains unchanged during a fast interrupt routine.
- The fast interrupt returns without an RTI.
- Normal instruction fetching resumes using the PC following the completion of the fast interrupt routine.
- A fast interrupt is not interruptible.
- A JSR instruction within the fast interrupt routine forms a long interrupt routine.

**Table 2-8. Long Interrupt Pipeline**

Operation	Instruction Cycle															
	1	2	3	4	5	6	7	8	9	10	11	12	13	14	15	16
Fetch 1	n1	n2	ii1	ii2	n3	sr1	sr2	sr3	sr4	sr5	sr6	n3	n4	n5	n6	n7
Fetch 2		n1	n2	jsr	ii2	n3	sr1	sr2	sr3	rti	sr5	sr6	n3	n4	n5	n6
Decode			n1	n2	jsr	—	—	sr1	sr2	sr3	rti	—	—	n3	n4	n5
Addr. Gen 1				n1	n2	jsr	—	—	sr1	sr2	sr3	rti	—	—	n3	n4
Addr. Gen 2					n1	n2	jsr	—	—	sr1	sr2	sr3	rti	—	—	n3
Execute 1						n1	n2	jsr	—	—	sr1	sr2	sr3	rti	—	—
Execute 2							n1	n2	jsr	—	—	sr1	sr2	sr3	rti	—
<b>Notes:</b>																
1. n = normal instruction word																
2. ii = interrupt instruction word																
3. sr = service routine word																

Execution of a long interrupt routine always adheres to the following rules:

- A JSR to the starting address of the interrupt service routine is located at one of the two interrupt vector addresses.
- During execution of the JSR instruction, the PC and SR are stacked. The interrupt mask bits of the SR are updated to mask interrupts of the same or lower priority. The Loop Flag and Scaling mode bits in the Status Register are cleared.
- The interrupt service routine can be interrupted (that is, nested interrupts are supported), but can only be interrupted by a higher priority interrupt.
- The long interrupt routine, which can be any length, should terminate with an RTI, which restores the PC and SR from the stack.

Either of the two instructions of the fast interrupt can be the JSR instruction that forms the long interrupt.

**Note:** A REP instruction is treated as a single two-word instruction, regardless of how many times it repeats the second instruction of the pair. Instruction fetches are suspended and will be reactivated only after the LC is decremented to one. During the execution of the repeated instruction, no interrupts are serviced. When LC finally decrements to one, the fetches are reinitiated, and pending interrupts are serviced.

If a non-interruptible code sequence is desired, change the IPL bits to the desired mask level. Due to pipeline latency, the number of cycles required after the IPL is masked in the status register depends on the following.

- The number of levels of maskable interrupts for long interrupts only. Fast interrupts are not an issue because they execute differently.
- The number of cycles required to execute the first instruction that is fetched in the cycle preceding the fetch of the first interrupt instruction word.

In scenarios 1 and 2, the status register (SR) change occurs in the main program flow or within an interrupt routine, and then one higher-level interrupt occurs.

**Scenario 1.** A 3-cycle ORI instruction using a double-cycle instruction in the protected region requires four NOP instructions, as follows:

1. ORI - First cycle.
2. - Second cycle.
3. - Third cycle.
4. NOP.
5. NOP.
6. NOP.
7. NOP.
8. First instruction in protected region - 2 cycles.

In scenario 1, if an interrupt occurs immediately after the first instruction in the protected region is fetched and that instruction is a two-cycle instruction, then that instruction is removed from the pipeline and not executed until after the interrupt service routine completes. Therefore, the region remains protected.

**Scenario 2:** A 3-cycle ORI instruction using a single-cycle instruction in the protected region requires five NOP instructions:

1. ORI - First cycle.
2. - Second cycle.

3. - Third cycle.
4. NOP
5. NOP
6. NOP
7. NOP
8. NOP
9. First instruction in protected region - 1 cycle.

Scenario 2 requires a fifth NOP since a one-cycle instruction executes normally before the start of the interrupt service routine.

Scenarios 3–5 use multiple levels of maskable interrupts. In addition to the requirements from the first two scenarios, 5 cycles are required for every level of interrupt change that can occur.

**Scenario 3:** After a status register change in the main program flow, an IPL0 and IPL1 interrupt sequence occurs:

4–5 NOPs (for IPL0) + 5 NOPs (change from IPL0 to IPL1).

**Scenario 4:** After a status register change in the main program flow, an IPL0, IPL1, and IPL2 interrupt sequence occurs:

4–5 NOPs (for IPL0) + 2 × 5 NOPs (change from IPL0 to IPL1 and change from IPL1 to IPL2).

**Scenario 5:** After a status register change in an IPL0 service routine, an IPL1 and IPL2 interrupt sequence occurs:

4–5 NOPs (change from IPL0 to IPL1) + 5 NOPs (change from IPL1 to IPL2)

### 2.3.3 Reset Processing State

The DSP device enters reset processing state when the external  $\overline{\text{RESET}}$  pin is asserted (a hardware reset). In the Reset state:

- Internal peripheral devices are reset.
- The modifier registers (M[0–7]) are set to \$FFFFFFF.
- The interrupt priority registers are cleared.
- The Bus Control Register (BCR), the Address Attribute Registers (AAR[3–0]) and the DRAM Control Register (DCR) are set to their initial values as described in **Chapter 9, External Memory Interface (Port A)**. The initial value causes a maximum number of wait states to be added to every external memory access.
- The Stack Pointer (SP) and the Stack Counter (SC) are cleared.
- The following bits of the SR are cleared:

- Rounding mode (RM) bit (bit 21)
- Arithmetic Saturation mode (SM) bit (bit 20)
- Cache Enable (CE) bit (bit 19)
- Sixteen-bit Arithmetic (SA) mode bit (bit 17)
- DO Forever (FV) flag bit (bit 16)
- DO Loop Flag (LF) bit (bit 15)
- Double Precision Multiply (DM) mode bit (bit 14)
- Sixteen-bit Compatibility (SC) mode bit (bit 13)
- Scaling (S[1–0]) bits (bit 11 and bit 10)
- Condition Code bits (SR[7–0])
- The following bits of the SR are set:
  - Core Priority (CP[1–0]) bits (bit 23 and bit 22)
  - Interrupt (I[1–0]) mask bits (bit 9 and bit 8)
- The Instruction Cache Controller is initialized as described in **Chapter 8, *Instruction Cache***.
- The Cache Enable (CE) bit in SR and the Burst mode bit in OMR are cleared.
- The PLL Control register is initialized as described in **Chapter 6, *PLL and Clock Generator***.
- The Vector Base Address Register (VBA) is cleared.

The DSP56300 core remains in the Reset state until  $\overline{\text{RESET}}$  is deasserted. Upon leaving the Reset state, the Chip Operating mode bits of the OMR are loaded from the external mode select pins (MOD[A–D]), and program execution begins at the program memory address as described in **Chapter 11, *Operating Modes and Memory Spaces***.

### 2.3.4 Wait Processing State

The Wait processing state is a low-power consumption state that occurs when the WAIT instruction executes. In the Wait state, the internal clock is disabled from all internal circuitry except the internal peripherals. All internal processing halts until an unmasked interrupt occurs, the DSP is reset, or  $\overline{\text{DE}}$  is asserted. If the exit from Wait state is caused by asserting  $\overline{\text{DE}}$ , the processor enters the Debug mode.

### 2.3.5 Stop Processing State

The Stop processing state is the lowest power consumption mode that occurs when the STOP instruction executes. In Stop mode, the clock oscillator activity depends on the PSTP bit in the PLL control register. If this bit is cleared, the clock oscillator is turned off. If the bit is set, the VCO remains active and the global clock to the entire chip is disabled. All activity in the processor halts until one of the following actions occurs:

- A low level is applied to the  $\overline{\text{IRQA}}$  pin ( $\overline{\text{IRQA}}$  asserted).

- A low level is applied to the  $\overline{\text{RESET}}$  pin ( $\overline{\text{RESET}}$  asserted).
- A low level is applied to the  $\overline{\text{DE}}$  pin.

Any of these actions enables the oscillator. After a clock stabilization delay, clocks to the processor and peripherals are re-enabled. If re-enabled, one of the following occurs:

- If the exit from Stop state was caused by a low level on the  $\overline{\text{RESET}}$  pin, then the processor enters the Reset processing state.
- If the exit from Stop state was caused by a low level on the  $\overline{\text{IRQA}}$  pin, then the processor services the highest-priority pending interrupt. If no interrupt is pending (that is,  $\overline{\text{IRQA}}$  was negated before interrupts were arbitrated), or if no interrupt is enabled, the processor resumes execution at the instruction following the STOP instruction that caused the entry into the Stop state.
- If the exit from Stop state was caused by a low level on the  $\overline{\text{DE}}$  pin, then the processor enters the Debug mode.

For minimum power consumption during the Stop state at the cost of longer recovery time, clear the PSTP bit of the PLL Control Register. To enable rapid recovery when exiting the Stop state, at the cost of higher power consumption, set PSTP. PSTP is cleared by hardware reset.

### 2.3.6 Debug State

Debug state is invoked and used with the JTAG/OnCE port. See **Chapter 7, *Debugging Support*** for a description of the Debug state.

# Data Arithmetic Logic Unit

# 3

This chapter describes the architecture and the operation of the data arithmetic logic unit (data ALU), the block where all the arithmetic and logical operations on data operands are performed.

## 3.1 Data ALU Architecture

The data ALU contains the following components:

- Four 24-bit input registers
- A fully pipelined Multiplier-Accumulator (MAC)
- Two 48-bit accumulator registers
- Two 8-bit accumulator extension registers
- A Bit Field Unit (BFU) with a 56-bit barrel shifter
- An accumulator shifter
- Two data bus shifter/limiter circuits

**Figure 3-1** is a block diagram of the data ALU. The data ALU registers can be read or written over the X Data Bus (XDB) and the Y Data Bus (YDB) as 24- or 48-bit operands. The source operands for the data ALU, which can be 24, 48, or 56 bits, always originate from data ALU registers. The results of all data ALU operations are stored in an accumulator. The data ALU runs in 16-bit Arithmetic mode when the SA bit in the Status Register (SR) is set. For details on the SR, see **Chapter 5, Program Control Unit**.

All the data ALU operations are performed in two clock cycles in pipeline fashion so that a new instruction can be initiated in every clock, yielding an effective execution rate of one instruction per clock cycle.

### 3.1.1 Data ALU Input Registers (X1, X0, Y1, Y0)

X1, X0, Y1, and Y0 are four 24-bit, general-purpose data registers. They can be treated as four independent 24-bit registers or as two 48-bit registers called X and Y, formed by concatenation of X1:X0 and Y1:Y0, respectively. X1 is the most significant word in X, and Y1 is the most significant word in Y. The registers serve as input buffers between the X Data Bus (XDB) or Y Data Bus (YDB) and the MAC unit or barrel shifter. They are used as data ALU source operands, allowing new operands to be loaded for the next instruction while the current contents are used by the current instruction. The registers can also be read back out to the appropriate data bus.

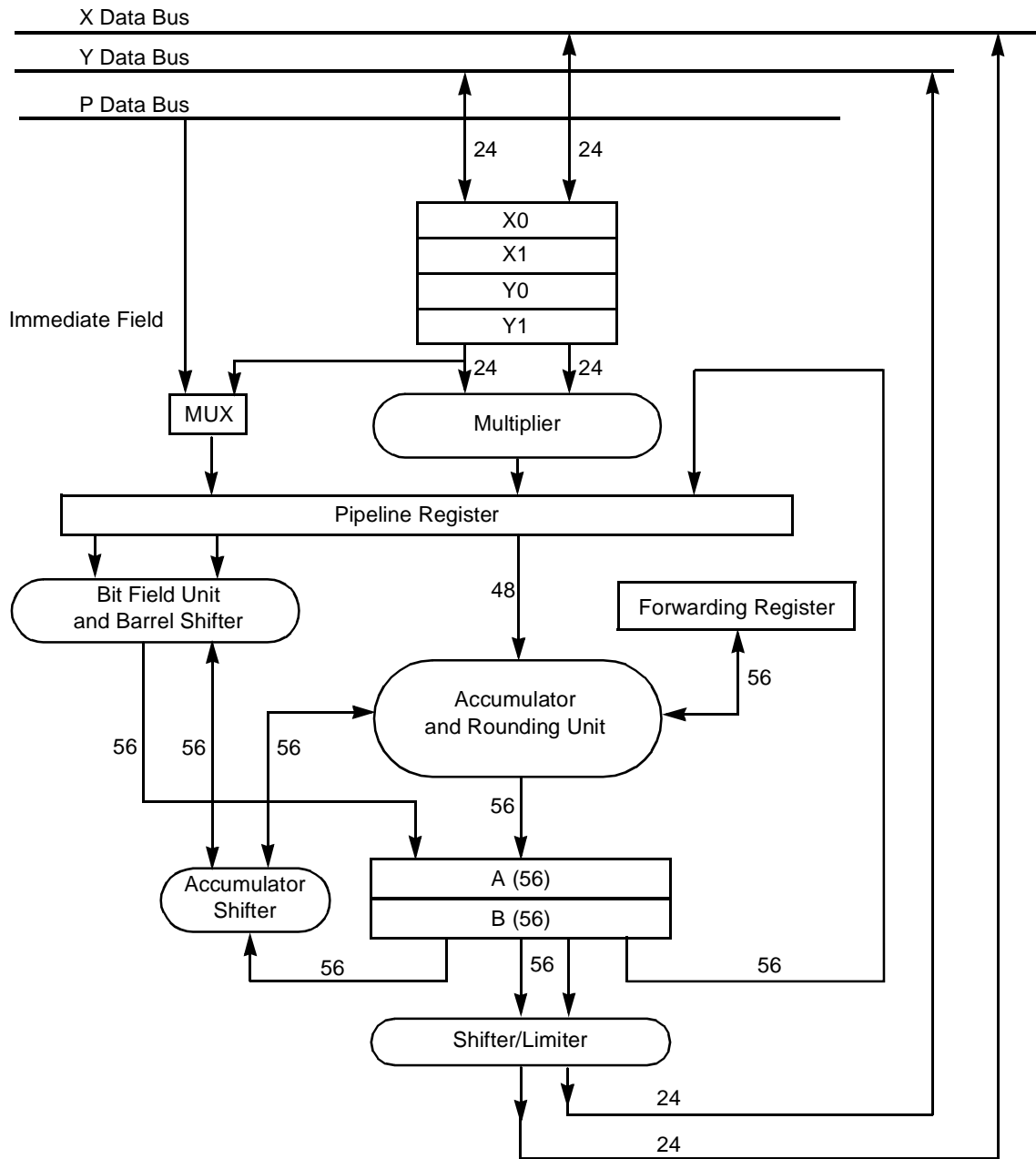


Figure 3-1. Data ALU Block Diagram

### 3.1.2 Multiplier-Accumulator (MAC) Unit

The multiplier-accumulator (MAC) unit is the main arithmetic processing unit of the DSP56300 core. It accepts up to three input operands and outputs one 56-bit result of the following form:

Extension:Most Significant Product:Least Significant Product (EXT:MSP:LSP)

The operation of the MAC unit occurs independently and in parallel with XDB and YDB activity, and its registers facilitate buffering for both data ALU inputs and outputs. Latches on the MAC



unit input permit writing new data to an input register while the data ALU processes the current data. The input to the multiplier can come only from the X or Y registers. The multiplier executes 24-bit x 24-bit, parallel fractional multiplies, between two's-complement signed, unsigned, or mixed operands. The 48-bit product is right-justified into 56 bits and added to the 56-bit contents of either the A or B accumulator.

The 56-bit sum is stored back in the same accumulator. The multiply/accumulate operation is fully pipelined and takes two clock cycles to complete. In the first clock the multiply is performed and the product is stored in the pipeline register. In the second clock the accumulator is added or subtracted. If a multiply without accumulation (MPY) is specified in the instruction, the MAC clears the accumulator and then adds the contents to the product. When a 56-bit result is to be stored as a 24-bit operand, the LSP can simply be truncated, or it can be rounded into the MSP. Rounding is performed if specified in the DSP instruction, for example, in the signed multiply-accumulate and round (MACR) instruction; the rounding is either convergent rounding (round-to-nearest-even) or two's-complement rounding. The type of rounding is specified by the rounding bit in the Status Register (SR). The bit in the accumulator that is rounded is specified by the scaling mode bits in the SR.

The arithmetic unit's result going into the accumulator can be saturated so that it fits into 48 bits (MSP and LSP). This process is commonly referred to as arithmetic saturation. It is activated by the Arithmetic Saturation Mode (SM) bit in the SR. The purpose of this mode is to provide for algorithms that do not recognize or cannot take advantage of the extension accumulator (EXT). For details, refer to **Section 3.2.3, Arithmetic Saturation Mode**, on page 3-9.

### 3.1.3 Data ALU Accumulator Registers (A2, A1, A0, B2, B1, B0)

The six data ALU registers (A2, A1, A0, B2, B1, and B0) form two general-purpose, 56-bit accumulators, A and B. Each of these two accumulators consists of three concatenated registers (A2:A1:A0 and B2:B1:B0, respectively). The 24-bit MSP is stored in A1 or B1; the 24-bit LSP is stored in A0 or B0. The 8-bit EXT is stored in A2 or B2. If an ALU operation results in overflow into A2 (or B2), reading the A (or B) accumulator over the XDB or YDB substitutes a limiting constant in place of the value in the accumulator. The content of A or B is not affected if limiting occurs; only the value transferred over the XDB or YDB is limited. This process is commonly referred to as transfer saturation and should not be confused with the Arithmetic Saturation mode.

The overflow protection is performed after the contents of the accumulator are shifted according to the Scaling mode. Shifting and limiting is performed only when the entire 56-bit A or B register is specified as the source for a parallel data move over the XDB or YDB. When A2, A1, A0, B2, B1, or B0 is the source for a parallel data move, shifting and limiting are not performed. When the 8-bit wide accumulator extension register (A2 or B2) is the source for a parallel data move, it is sign-extended to produce the full 24-bit wide word. The accumulator registers (A or B) serve as buffer registers between the arithmetic unit and the XDB and/or YDB. These registers are used as both data ALU source and destination operands.

Automatic sign extension of the 56-bit accumulators occurs when the A or B register is written with a smaller operand. Sign extension can occur when A or B is written from the XDB and/or YDB or with the results of certain data ALU operations such as the Transfer Conditionally (Tcc) or Transfer Data ALU Register (TFR) instructions. If a word operand is to be written to an accumulator register (A or B), the most significant product (MSP)—A1 or B1—of the accumulator is written with the word operand, the least significant product (LSP)—A0 or B0—is zero-filled, and the extended (EXT) portion —A2 or B2—is sign-extended from MSP. Long-word operands are written into the low-order portion, MSP:LSP, of the Accumulator Register, and the EXT portion is sign-extended from MSP. No sign extension is performed if an individual 24-bit register is written (A1, A0, B1, or B0). Test logic in each accumulator register supports operation of the data shifter/limiter circuits. This test logic detects overflows out of the data shifter so that the limiter can substitute one of several constants to minimize errors due to the overflow.

### 3.1.4 Accumulator Shifter

The accumulator shifter is an asynchronous parallel shifter with a 56-bit input and a 56-bit output that is implemented immediately before the MAC unit accumulator input. The source accumulator shifting operations are as follows:

- No shift (unmodified)
- 24-bit right shift (arithmetic) for DMAC
- 16-bit right shift (arithmetic) for DMAC in Sixteen-bit Arithmetic mode
- Force to zero

### 3.1.5 Bit Field Unit (BFU)

The BFU contains a 56-bit parallel bidirectional shifter with a 56-bit input and a 56-bit output, mask generation unit and logic unit. The BFU is used in the following operations:

- Multi-bit left shift (arithmetic or logical) for ASL, LSL
- Multi-bit right shift (arithmetic or logical) for ASR, LSR
- 1-Bit rotate (right or left) for ROR, ROL
- Bit field merge, insert and extract for MERGE, INSERT, EXTRACT and EXTRACTU
- Count leading bits for CLB
- Fast normalization for NORMF
- Logical operations for AND, OR, EOR, and NOT

### 3.1.6 Data Shifter/Limiter

The data shifter/limiter circuits provide special post-processing on data read from the ALU accumulator registers A and B out to the XDB or YDB. Each of the two independent

shifter/limiter circuits (one for XDB and one for the YDB) consists of a shifter followed by a limiting circuit.

### 3.1.6.1 Scaling

The data shifters in the shifters/limiters unit can perform the following data shift operations:

- Scale up—shift data one bit to the left
- Scale down—shift data one bit to the right
- No scaling—pass the data unshifted

Each data shifter has a 24-bit output with overflow indication. These shifters permit dynamic scaling of fixed-point data without modifying the program code. For example, this permits block floating-point algorithms such as Fast Fourier Transforms (FFTs) to be implemented in a regular fashion. The data shifters are controlled by the Scaling Mode bits (S0 and S1, bits 11 and 10) in the SR.

### 3.1.6.2 Limiting

In the DSP56300 core, the data ALU accumulators A and B have eight extension bits. Limiting occurs when the extension bits are in use and either A or B is the source being read over XDB or YDB. The limiters in the DSP56300 core place a shifted and limited value on XDB or YDB without changing the contents of the A or B registers. Having two limiters allows two-word operands to be limited independently in the same instruction cycle. The two data limiters can also be combined to form one 48-bit data limiter for long-word operands.

If the contents of the selected source accumulator are represented without overflow in the destination operand size (that is, signed integer portion of the accumulator is not in use), the data limiter is disabled, and the operand is not modified. If the contents of the selected source accumulator are not represented without overflow in the destination operand size, the data limiter substitutes a limited data value having maximum magnitude (saturated) and having the same sign as the source accumulator contents:

- \$7FFFFFFF for 24-bit positive numbers
- \$7FFFFFFF FFFFFFFF for 48-bit positive numbers
- \$800000 for 24-bit negative numbers
- \$800000 000000 for 48-bit negative numbers

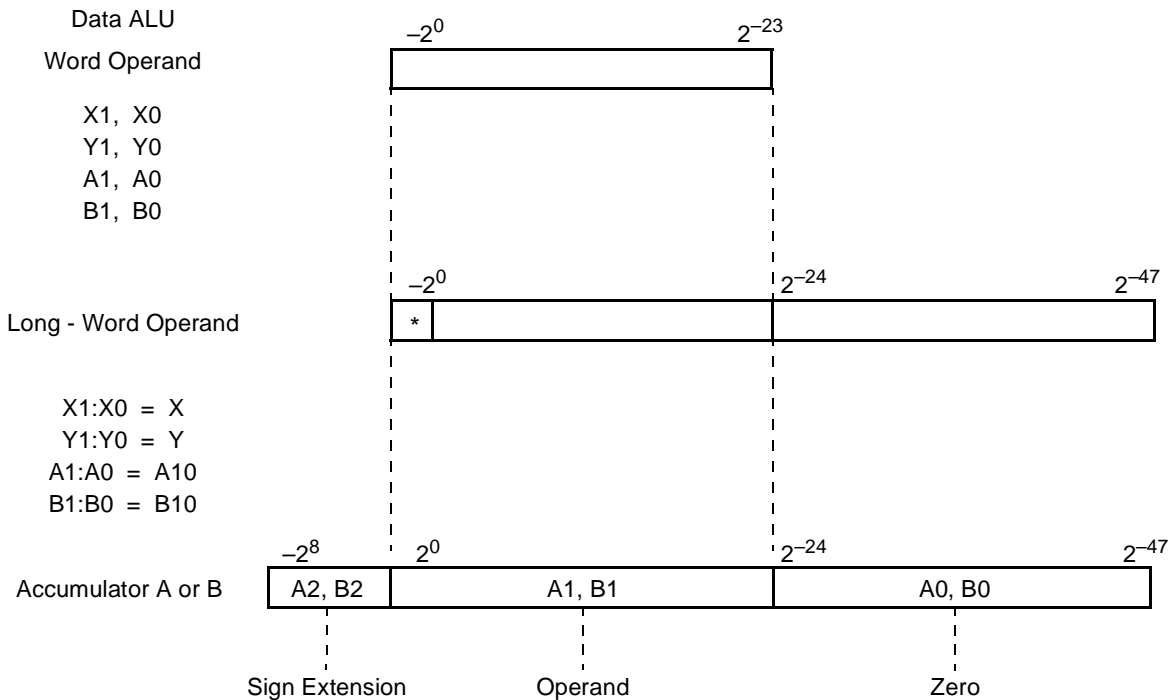
This process is called transfer saturation. The value in the accumulator register is not shifted or limited and can be reused within the data ALU. When limiting does occur, a flag is set and latched in the SR.

### 3.2 Data ALU Arithmetic and Rounding

The following paragraphs describe the data ALU data representation, rounding modes, and arithmetic methods.

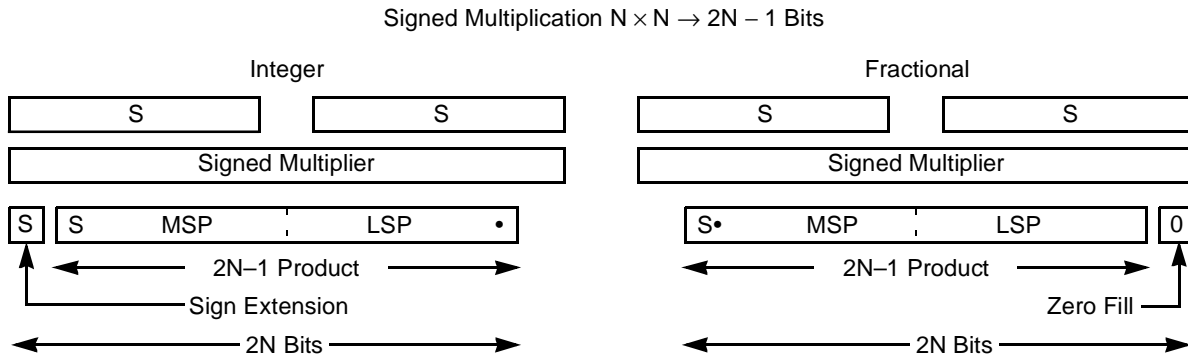
#### 3.2.1 Data Representation

The DSP56300 core uses a fractional data representation for all data ALU operations. **Figure 3-2** shows the bit weighting of words, long words, and accumulator operands for this representation. The decimal points are all aligned and are left-justified. For words and long words, the most negative number that can be represented is  $-1.0$  whose internal representation is  $\$800000$  and  $\$800000000000$ , respectively. The most positive word is  $\$7FFFFFFF$  or  $1-2^{-23}$ , and the most positive long word is  $\$7FFFFFFFFFFFFF$  or  $1-2^{-47}$ . These limitations apply to all data stored in memory and to data stored in the data ALU input buffer registers. The extension registers associated with the accumulators allow word growth so that the most positive number is approximately 256, and the most negative number is  $-256$ . To maintain alignment of the radix point when a word operand is written to accumulator A or B, the operand is written to the most significant accumulator register (A1 or B1), and its most significant byte is automatically sign-extended through the accumulator extension register (A2 or B2). The least significant accumulator register (A0 or B0) is automatically cleared. When a long-word operand is written to an accumulator, the least significant word of the operand is written to the least significant accumulator register (see **Figure 3-2**).



**Figure 3-2.** Bit Weighting and Alignment of Operands

The number representation for integers is between  $\pm 2^{(N-1)}$ ; whereas, the fractional representation is limited to numbers between  $\pm 1$ . To convert from an integer to a fractional number, the integer must be multiplied by a scaling factor so the result is always between  $\pm 1$ . The representation of integer and fractional numbers is the same if the numbers are added or subtracted, but it is different if the numbers are multiplied or divided. An example of two numbers multiplied together is given in **Figure 3-3**.



**Figure 3-3.** Integer/Fractional Multiplication

The key difference is in the alignment of the  $2N-1$  bit product. In fractional multiplication, the  $2N-1$  significant product bits are left-aligned, and a zero is filled in the Least Significant Bit (LSB), to maintain fractional representation. In integer multiplication, the  $2N-1$  significant product bits are right-aligned, and the sign bit should be duplicated to maintain integer representation.

**Note:** Be aware when multiplying integer numbers that since the DSP56300 core incorporates a fractional array multiplier, it always aligns the  $2N-1$  significant product bits to the left.

### 3.2.2 Rounding Modes

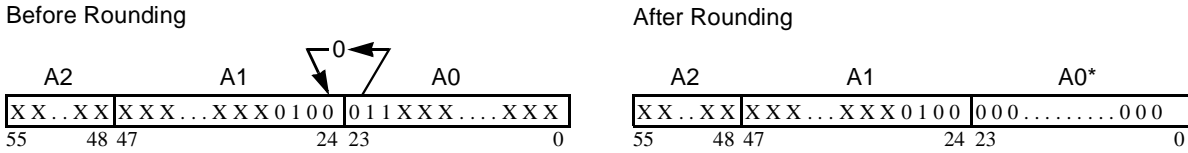
The DSP56300 core data ALU rounds the accumulator register to single precision if requested in the instruction. The upper portion of the accumulator is rounded according to the contents of the lower portion of the accumulator. The boundary between the lower portion and the upper portion is determined by the Scaling Mode bits S0 and S1 in the Status Register (SR). Two types of rounding are implemented: convergent rounding and two's-complement rounding. The type of rounding is selected by the Rounding Mode (RM) bit in the EMR portion of the SR.

#### 3.2.2.1 Convergent Rounding

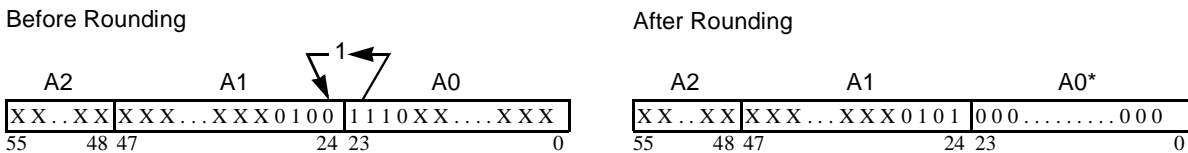
Convergent rounding (also called round-to-nearest even number) is the default rounding mode. The traditional rounding method rounds up any value greater than one-half and rounds down any value less than one-half. The question arises as to which way one-half should be rounded. If it is always rounded one way, the results are eventually biased in that direction. Convergent rounding

solves the problem by rounding down if the number is even (LSB = 0) and rounding up if the number is odd (LSB = 1). **Figure 3-4** shows the four cases for rounding a number in the A1 (or B1) register. If scaling is set in the SR, the rounding position is updated to reflect the alignment of the result when it is put on the data bus. However, the contents of the register are not scaled.

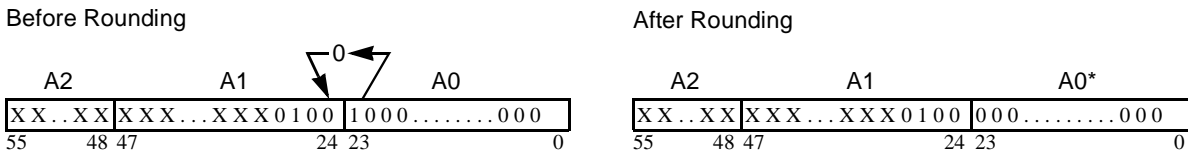
**Case I:** If  $A0 < \$800000$  (1/2), then Round Down (Add Nothing)



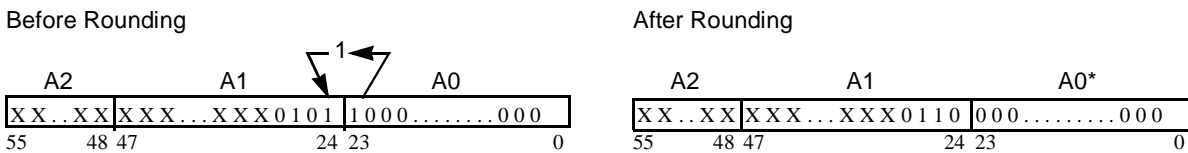
**Case II:** If  $A0 > \$800000$  (1/2), then Round Up (Add 1 to A1)



**Case III:** If  $A0 = \$800000$  (1/2), and the LSB of A1 = 0, then Round Down (Add Nothing)



**Case IV:** If  $A0 = \$800000$  (1/2), and the LSB = 1, then Round Up (Add 1 to A1)



\*A0 is always clear; performed during RND, MPYR, MACR

**Figure 3-4.** Convergent Rounding (No Scaling)

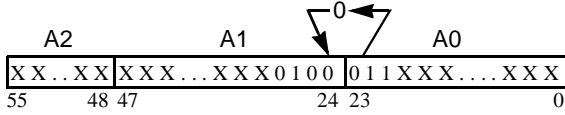
### 3.2.2.2 Two's Complement Rounding

When two's complement rounding is selected by setting the Rounding Mode (RM) bit in the SR, all values greater than or equal to one-half are rounded up, and all values less than one-half are rounded down. Therefore, a small positive bias is introduced. **Figure 3-5** shows the four cases for rounding a number in the A1 (or B1) register. If scaling is set in the SR, the rounding position is

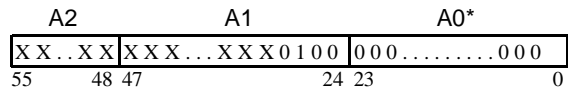
updated to reflect the alignment of the result when it is put on the data bus. However, the contents of the register are not scaled.

**Case I:** If  $A0 < \$800000$  (1/2), then Round Down (Add Nothing)

Before Rounding

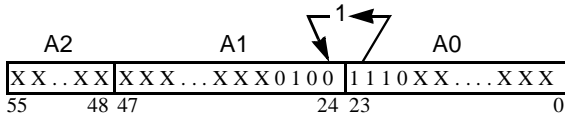


After Rounding

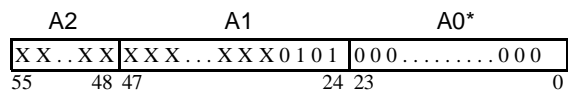


**Case II:** If  $A0 > \$800000$  (1/2), then Round Up (Add 1 to A1)

Before Rounding

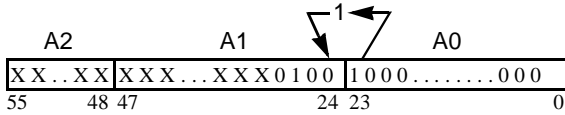


After Rounding

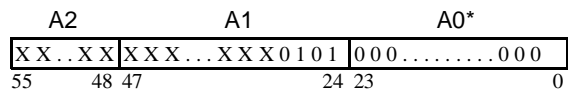


**Case III:** If  $A0 = \$800000$  (1/2), and the LSB of A1 = 0, then Round Up (Add 1 to A1)

Before Rounding

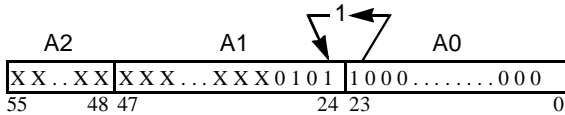


After Rounding

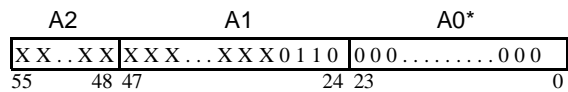


**Case IV:** If  $A0 = \$800000$  (1/2), and the LSB of A1 = 1, then Round Up (Add 1 to A1)

Before Rounding



After Rounding



\*A0 is always clear; performed during RND, MPYR, MACR

**Figure 3-5.** Two's Complement Rounding (No Scaling)

### 3.2.3 Arithmetic Saturation Mode

Setting the Arithmetic Saturation Mode (SM) bit in the SR limits the arithmetic unit's result to 48 bits (MSP and LSP). The highest dynamic range of the machine is then limited to 48 bits. The purpose of the SM bit is to provide a saturation mode for algorithms that do not recognize or cannot take advantage of the extension accumulator. The arithmetic saturation logic operates by checking 3 bits of the 56-bit result after rounding: two bits of the extension byte (EXT[7] and

EXT[0]) and one bit on the MSP (MSP[23]). The result obtained in the accumulator when SM = 1 is shown in **Table 3-1**.

**Table 3-1.** Actions of the Arithmetic Saturation Mode (SM = 1)

EXT[7]	EXT[0]	MSP[23]	Result in Accumulator
0	0	0	Unchanged
0	0	1	\$00 7FFFFFFF FFFFFFFF
0	1	0	\$00 7FFFFFFF FFFFFFFF
0	1	1	\$00 7FFFFFFF FFFFFFFF
1	0	0	\$FF 800000 000000
1	0	1	\$FF 800000 000000
1	1	0	\$FF 800000 000000
1	1	1	Unchanged

The two saturation constants \$007FFFFFFF FFFFFFFF and \$FF800000 000000 are not affected by the Scaling mode. Similarly, rounding of the saturation constant during execution of MPYR, MACR, and RND instructions is independent of the scaling mode: \$007FFFFFFF FFFFFFFF is rounded to \$007FFFFFFF 000000, and \$FF800000 000000 is rounded to \$FF800000 000000.

In Arithmetic Saturation mode, the Overflow bit (V bit) in the SR is set if the data ALU result is not representable in the 48-bit accumulator (that is, an arithmetic saturation has occurred). This also implies that the Limiting bit (L bit) in the SR is set when an arithmetic saturation occurs.

**Note:** The Arithmetic Saturation mode is *always* disabled during execution of the following instructions: TFR, Tcc, DMACsu, DMACuu, MACsu, MACuu, MPYsu, MPYuu, CMPU, and all BFU operations. If the result of these instructions should be saturated, a MOVE A,A (or B,B) instruction must be added after the original instruction if no scaling is set. However, the “V” bit of the SR is never set by the arithmetic saturation of the accumulator during execution of a MOVE A,A (or B,B) instruction. Only the “L” bit is set.

### 3.2.4 Multi-Precision Arithmetic Support

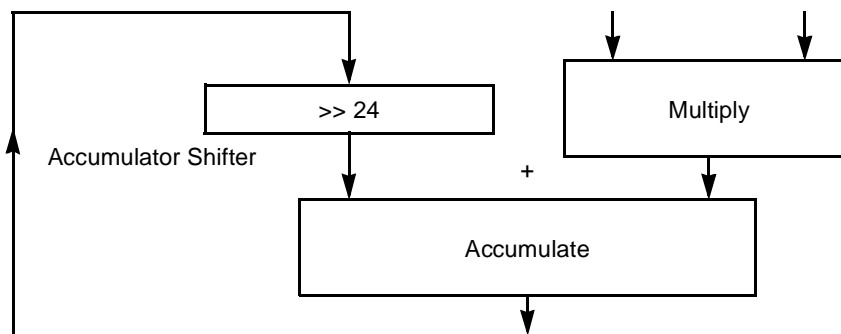
A set of data ALU operations facilitate multi-precision multiplications. When these instructions are used, the multiplier accepts some combinations of signed two’s-complement format and unsigned format. **Table 3-2** shows these instructions.



**Table 3-2.** Acceptable Signed and Unsigned Two's-Complement Multiplication

Instruction	Description
MPY/MAC su	Multiplication and multiply-accumulate with signed times unsigned operands
MPY/MAC uu	Multiplication and multiply-accumulate with unsigned times unsigned operands
DMACss	Multiplication with signed times signed operands and 24-bit arithmetic right shift of the accumulator before accumulation
DMACsu	Multiplication with signed times unsigned operands and 24-bit arithmetic right shift of the accumulator before accumulation
DMACuu	Multiplication with unsigned times unsigned operands and 24-bit arithmetic right shift of the accumulator before accumulation

**Figure 3-6** shows how the DMAC instruction is implemented inside the data ALU.

**Figure 3-6.** DMAC Implementation

**Figure 3-7** illustrates the use of these instructions for a double-precision multiplication. The signed  $\times$  signed operation multiplies or multiply-accumulates the two upper signed portions of two signed double-precision numbers. The unsigned  $\times$  signed operation multiplies or multiply-accumulates the upper signed portion of one double-precision number with the lower unsigned portion of the other double-precision number. The unsigned  $\times$  unsigned operation multiplies or multiply-accumulates the lower unsigned portion of one double-precision number with the lower unsigned portion of the other double-precision number.

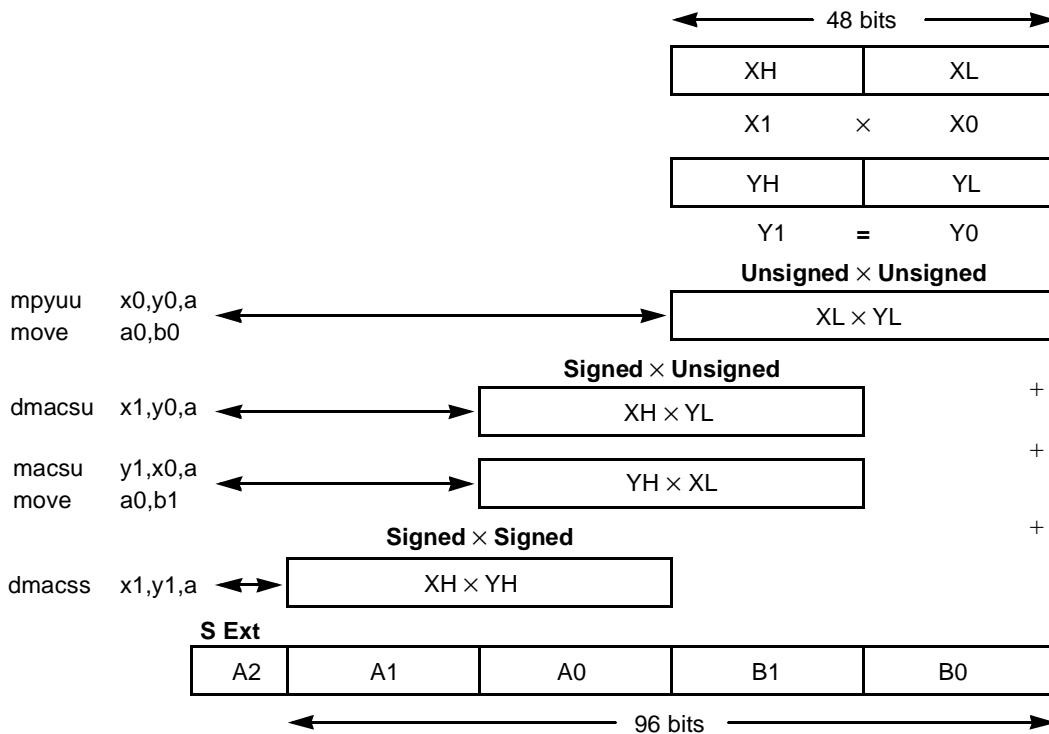


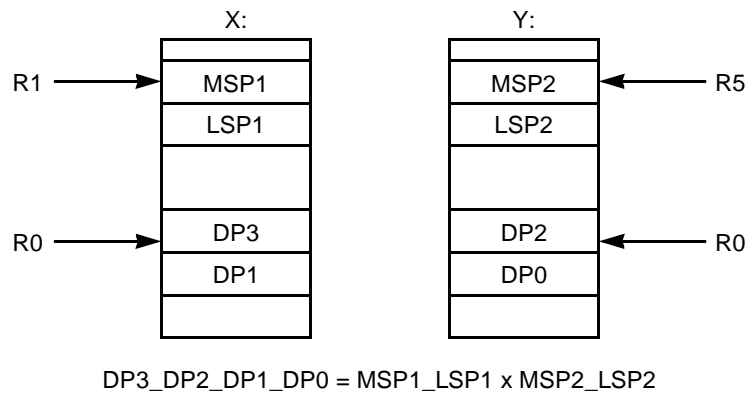
Figure 3-7. Double-Precision Multiplication Using the DMAC Instruction

### 3.2.4.1 Double-Precision Multiply Mode

Double-precision multiply operations can also be performed within a dedicated “Double-Precision Multiply” mode using a double-precision algorithm with four multiply operations. Select the Double-Precision Multiply mode by setting Bit 14 (DM) of the SR. The mode is disabled by clearing the DM bit. The double-precision multiply algorithm is shown in **Figure 3-8**. The ORI instruction sets the DM mode bit, but due to the instruction execution pipeline the data ALU enters the Double-Precision Multiply mode after only one cycle. The ANDI instruction clears the DM mode bit in the MR, but due to the instruction execution pipeline the data ALU leaves the mode after one cycle. To allow for the pipeline delay, do not follow the ANDI instruction immediately with a restricted data ALU instruction.

In Double-Precision Multiply mode, the behavior of the four specific operations listed in the double-precision algorithm is modified. Therefore, in Double-Precision Multiply mode, do not use these operations with the specified register combinations for any purpose other than the double-precision multiply algorithm. Also, in this mode, do not use any other data ALU operations (or the four listed operations with other register combinations).

**Note:** Since the double-precision multiply algorithm uses the Y0 register for all stages, do not change Y0 when running the double-precision multiply algorithm. If the data ALU is required by an interrupt service routine, save the contents of Y0 with the contents of the other data ALU registers before processing the interrupt routine, and restore them before leaving the interrupt routine.



```

ori#$40,mr                ;enter mode
move x:(r1)+,x0           y:(r5)+,y0;load operands
mpyy0,x0,ax:(r1)+,x1     y:(r5)+,y1;LSP*LSP->a
macx1,y0,a               a0,y:(r0);shifted(a)+
                          ;  MSP*LSP->a
macx0,y1,a               ;a+LSP*MSP->a
macy1,x1,aa0,x:(r0)+    ;shifted(a)+

```

**Figure 3-8.** Double-Precision Multiply Algorithm

### 3.2.5 Block Floating-Point FFT Support

The Block Floating Point FFT operation requires the early detection of data growth between FFT butterfly passes. If data growth is detected, suitable down-scaling must be applied to ensure that no overflow occurs during the next butterfly calculation pass. The total scaling applied is the block exponent of the FFT output. Data growth detection is implemented as a status bit in the SR. The FFT scaling bit S, bit 7 of the SR, is set when a result moves from accumulator A or B to the XDB or YDB Bus (during an accumulator to memory or accumulator to register move) and remains set until explicitly cleared (that is, the “S” bit is a “sticky” bit).

## 3.3 Data ALU Programming Model

The data ALU features 24-bit input/output data registers that can be concatenated to accommodate 48-bit data and two 56-bit accumulators, which are segmented into three 24-bit pieces that can be transferred over the buses. **Figure 3-9** illustrates how the registers in the programming model are grouped.

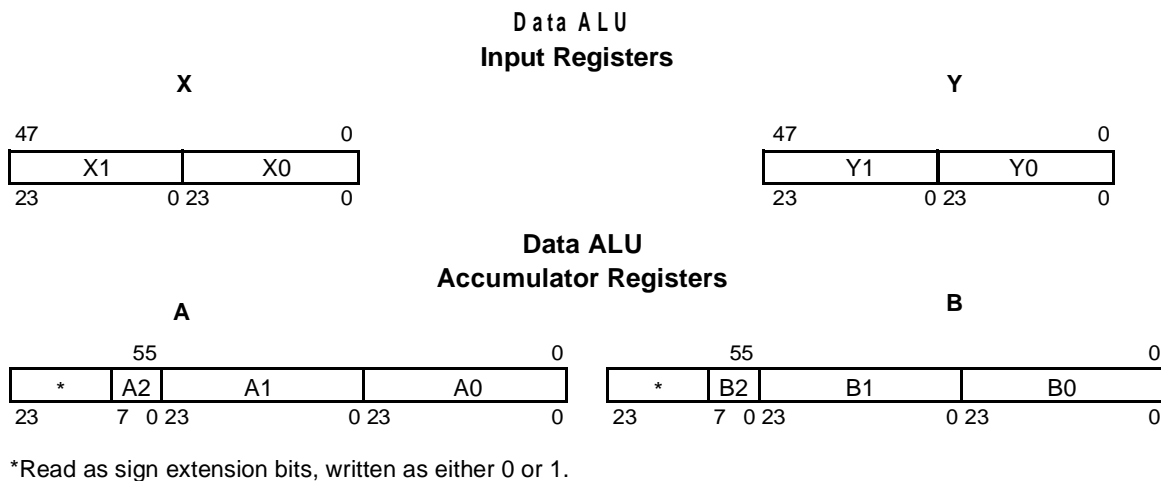


Figure 3-9. Data ALU Core Programming Model

### 3.4 Sixteen-Bit Arithmetic Mode

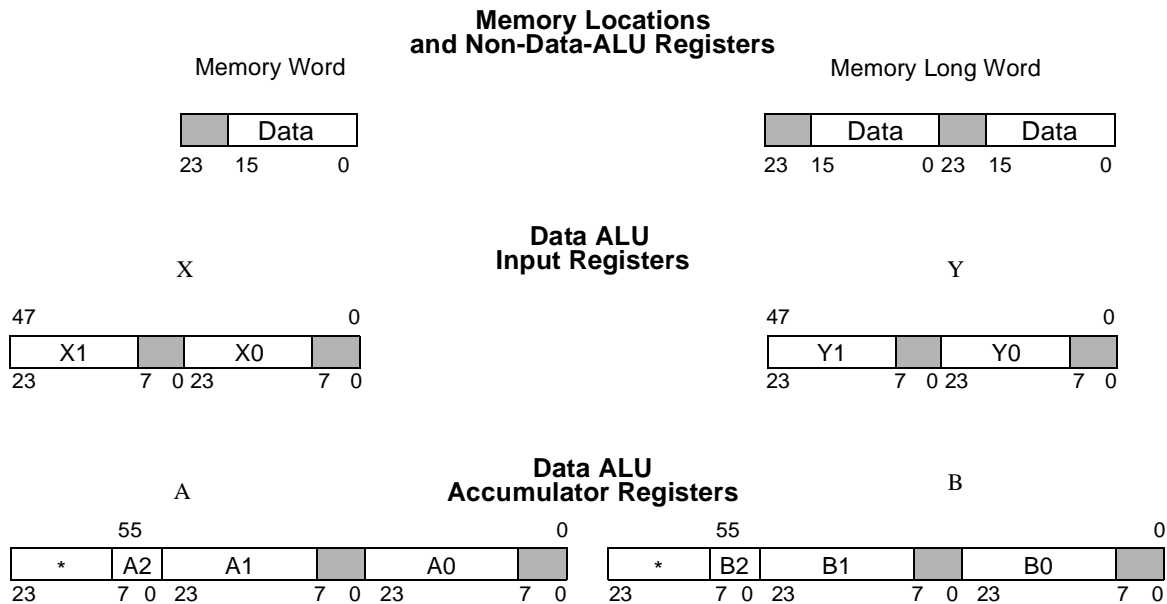
Setting the SA bit in the SR enables the Sixteen-bit Arithmetic operating mode. In this mode, the 16-bit data is right-aligned in the 24-bit memory word, that is, in the 16 LSBs of the 24-bit word. You can use 16-bit wide data memories either by leaving the eight MSBs unconnected or by tying these bits to GND. In Sixteen-bit Arithmetic mode, the source operands can be 16-bit, 32-bit, or 40-bit. The numerical results have a 40-bit accuracy. These 40 bits consist of a 16-bit LSP, a 16-bit MSP, and an 8-bit EXT. **Figure 3-10** shows the bit positions in the memory and data ALU registers in Sixteen-bit Arithmetic mode.

#### 3.4.1 Moves in Sixteen-Bit Arithmetic Mode

In Sixteen-bit Arithmetic mode, the data ALU registers are still read or written as 24- or 48-bit operations over the XDB and the YDB. No 16- or 32-bit moves are supported. The mapping of the 16-bit data to the 24-bit buses is described in the following paragraphs. **Table 3-3** shows the result of moving data into registers or accumulators. **Table 3-4** shows the result of moving data from registers or accumulators.

##### 3.4.1.1 Moves into Registers or Accumulators

When XDB or YDB are moved into a full data ALU accumulator (A or B), the 16 LSBs of the bus are placed in bits 32–47 of the accumulator (16 MSBs of A1 or B1). Bits 8–23 of the accumulator (16 MSBs of A0 or B0) are cleared and the EXT of the accumulator (A2 or B2) is loaded with the sign extension. When XDB and YDB (48 bits) are moved into a full data ALU accumulator (A or B), the 16 LSBs from XDB are placed into bits 32–47 of the accumulator (16 MSBs of A1 or B1). The 16 LSBs from YDB are placed into bits 8–23 of the accumulator (16 MSBs of A0 or B0). The EXT of the accumulator (A2 or B2) is loaded with the sign extension.



\* Read as sign extension bits; written as either 0 or 1.

Undefined

- Notes:
- When switching to and from Sixteen-bit Arithmetic mode, no arithmetic instruction or a MOVE instruction should be performed for two instruction cycles. The programmer must insert two NOP instructions. There is no automatic stall insertion for this change.
  - Be cautious about exchanging data between Sixteen-bit Arithmetic mode and 24-bit arithmetic mode via write-read operations on data ALU registers and accumulators. Since the write operations in Sixteen-bit Arithmetic mode corrupt the information in the least significant bytes of the registers or accumulators, do not use these registers or accumulators for 24-bit data without some processing.

**Figure 3-10. Sixteen-Bit Arithmetic Mode Data Organization**

When XDB or YDB is moved into a register (X0, X1, Y0, or Y1) or partial accumulator (A0, A1, B0 or B1), the 16 LSBs of the bus are loaded into the 16 MSBs of the destination register. No other portion of the accumulator is affected.

When XDB or YDB is moved into the accumulator extension register (A2 or B2), the eight LSBs of the bus are loaded into the eight LSBs of the destination register and the 16 MSBs of the bus are not used. The remaining parts of the accumulator are not affected.

When XDB and YDB are moved into a 48-bit register (X or Y) or partial accumulator (A10 or B10), the 16 LSBs of XDB bus are loaded into the 16 MSBs of the MSP (X1, Y1, A1, or B1) and the 16 LSBs of YDB bus are loaded into the 16 MSBs of the LSP (X0, Y0, A0, or B0). The EXT part of the accumulator (A2 or B2) is not affected.

**Table 3-3. Moves into Registers or Accumulators**

Data Source	Destination	Result
XDB or YDB	Full data ALU accumulator (A or B)	<ul style="list-style-type: none"> <li>16 LSBs of bus into bits 32-47 of accumulator</li> <li>Accumulator bits 8–23 cleared</li> <li>EXT of accumulator (A2 or B2) loaded with sign extension</li> </ul>

**Table 3-3. Moves into Registers or Accumulators (Continued)**

Data Source	Destination	Result
XDB and YDB	Full data ALU accumulator (A or B)	<ul style="list-style-type: none"> <li>16 LSBs of XDB into bits 32-47 of accumulator</li> <li>16 LSBs of YDB into bits 8–23 of the accumulator</li> <li>EXT of accumulator (A2 or B2) loaded with sign extension</li> </ul>
XDB or YDB	Register (X0, X1, Y0, or Y1) or partial accumulator (A0, A1, B0, or B1)	<ul style="list-style-type: none"> <li>16 LSBs of bus into 16 MSBs of destination register</li> <li>Remaining parts of accumulator not affected</li> </ul>
XDB or YDB	Accumulator extension register (A2 or B2)	<ul style="list-style-type: none"> <li>Eight LSBs of bus into eight LSBs of destination register</li> <li>16 MSBs of bus not used</li> <li>Remaining parts of accumulator not affected</li> </ul>
XDB and YDB	48-bit register (X or Y) or partial accumulator (A10 or B10)	<ul style="list-style-type: none"> <li>16 LSBs of XDB into 16 MSBs of MSP</li> <li>16 LSBs of YDB into 16 MSBs of LSP</li> <li>EXT of accumulator (A2 or B2) not affected</li> </ul>

### 3.4.1.2 Moves from Registers or Accumulators

When a partial accumulator (A0, A1, B0, or B1) is moved to the XDB or YDB, the 16 MSBs of the source are transferred to the 16 LSBs of the bus with eight zeros in the MSBs. No scaling or limiting is performed. When the source is the accumulator extension register (A2 or B2), it occupies the eight LSBs of the bus while the next 16 bits are the sign extension of bit 7.

When a partial accumulator (A10 or B10) is moved to XDB and YDB, the 16 MSBs of the MSP of the source (A1 or B1) are transferred to the 16 LSBs of XDB with eight zeros in the MSBs, while the 16 MSBs of the LSP of the source (A0 or B0) are transferred to the 16 LSBs of YDB with eight zeros in the MSBs. No scaling or limiting is performed.

When a full data ALU accumulator (A or B) is moved to XDB or YDB, scaling and limiting is performed, and then the 16-bit scaled and limited word is placed on the 16 LSBs of the bus and the sign extension is placed in the eight MSBs on the bus.

When a full data ALU accumulator (A or B) is moved to XDB and YDB, scaling and limiting is performed, and then the 16 MSBs of the 32-bit scaled and limited double word are placed on XDB 16 LSBs, and the sign extension is placed in the eight MSBs on the bus. The 16 LSBs of the 32-bit scaled and limited double word are placed on the 16 LSBs of the YDB with eight zeros on the eight MSBs of the bus.

When a register (X0, X1, Y0, or Y1) is moved to XDB or YDB, the 16 MSBs of the source are transferred to the 16 LSBs of the bus with eight zeros in the MSBs.

When a 48-bit register (X or Y) is moved to XDB and YDB, the 16 MSBs of the high register (X1 or Y1) are placed on the 16 LSBs of the XDB, and eight zeroes are placed on the eight MSBs of the bus. The 16 LSBs of the low register (X0 or Y0) are placed on the 16 LSBs of the YDB with eight zeros on the eight MSBs of the bus.

**Note:** When a read operation of a data ALU register (X, Y, X0, X1, Y0, or Y1) immediately follows a write operation to the same register, the value placed on the eight MSBs of the XDB or YDB is undefined.

**Table 3-4.** Moves From Registers or Accumulators

Data Source	Destination	Result
Partial accumulator (A0, A1, B0, or B1)	XDB or YDB	<ul style="list-style-type: none"> <li>16 MSBs of source into 16 LSBs of bus with eight zeros in MSBs</li> <li>No scaling or limiting</li> </ul>
Accumulator extension register (A2 or B2)	XDB or YDB	<ul style="list-style-type: none"> <li>Source occupies eight LSBs of bus</li> <li>Next 16 bits are sign extension of bit 7</li> </ul>
Partial accumulator (A10 or B10)	XDB and YDB	<ul style="list-style-type: none"> <li>16 MSB of MSP of source (A1 or B1) transferred to 16 LSBs of XDB with eight zeros in MSBs</li> <li>16 MSBs of the LSP of source (A0 or B0) transferred to 16 LSBs of YDB with eight zeros in the MSBs.</li> <li>No scaling or limiting</li> </ul>
Full data ALU accumulator (A or B)	XDB or YDB	<ul style="list-style-type: none"> <li>Scaling and limiting performed</li> <li>16-bit scaled word placed on 16 LSBs of bus</li> <li>Sign extension placed in eight MSBs of bus</li> </ul>
Full data ALU accumulator (A or B)	XDB and YDB	<ul style="list-style-type: none"> <li>Scaling and limiting performed</li> <li>16 MSBs of 32-bit scaled and limited double word placed on XDB 16 LSBs</li> <li>Sign extension placed in eight MSBs on bus</li> <li>16 LSBs of 32-bit scaled and limited double word placed on 16 LSBs of YDB with eight zeros on the eight MSBs of bus</li> </ul>
Register (X0, X1, Y0 or Y1)	XDB or YDB	<ul style="list-style-type: none"> <li>16 MSBs transferred to 16 LSBs of bus with eight zeros in MSBs</li> </ul>
48-bit register (X or Y)	XDB and YDB	<ul style="list-style-type: none"> <li>16 MSBs of high register (X1 or Y1) placed on 16 LSBs of XDB with eight zeros on eight MSBs of bus</li> <li>16 LSBs of low register (X0 or Y0) placed on 16 LSBs of YDB with eight zeros on eight MSBs of bus</li> </ul>

### 3.4.1.3 Short Immediate moves

When an Immediate Short Data MOVE is performed in Sixteen-bit Arithmetic mode and the destination register is A0, A1, B0, or B1, the 8-bit immediate short operand is interpreted as an unsigned integer and is therefore stored in bits 15–8 of the register (which correspond to the eight LSBs of a 16-bit number). If the destination register is A2 or B2, the 8-bit immediate short operand is stored in bits 7–0 of the register.

When the destination register is A, B, X0, X1, Y0, or Y1, the 8-bit immediate short operand is interpreted as a signed fraction and is stored in bits 47–40 of the accumulator or bits 23–16 of a register (which correspond to the eight MSBs of a 16-bit number).

### 3.4.1.4 Scaling and Limiting

If scaling is specified, the data shifter virtually concatenates the 16-bit LSP to the 16-bit MSP to provide a numerically correct shift.

During the Sixteen-bit Arithmetic mode of operation, the limiting is affected as described below:

- The maximum positive value is \$007FFF (\$007FFF00FFFF for double precision).
- The maximum negative value is \$008000 (\$008000000000 for double precision).

### 3.4.2 Sixteen-Bit Arithmetic

When an operand is read from a data ALU register or accumulator to the arithmetic unit, the eight LSBs of the 24-bit word are ignored (that is, read as zeros). The arithmetic unit forces these bits to zero when generating a result.

The arithmetic unit virtually concatenates the 16-bit LSP with the 16-bit MSP to form a continuous number. Therefore, all arithmetic operations, including shifts, are numerically correct. The execution of data ALU instructions in Sixteen-bit Arithmetic mode is not affected, except for the following:

- The operand and result widths are 16/32/40 instead of 24/48/56.
- The rounding, if specified by the operation, is performed on the Most Significant Bit of the 16-bit Least Significant Portion (LSP) of the result, that is on the bit corresponding to bit 23 of A0/B0 (the Scaling mode affects this position accordingly). For details, see the RND instruction in **Chapter 13, Instruction Set**.
- The arithmetic saturation detection is unchanged, but the saturated values change to \$007FFF00FFFF00 and \$FF800000000000.
- In ADC/SBC instructions, the Carry bit C is added/subtracted to the LSB of the 16-bit LSP.
- Logic operations affect only the 16-bit wide word.
- Rotation in rotate instructions is performed on a 16-bit wide word.
- The possible normalization range changes, thus affecting the CLB instruction.
- The DMAC instruction performs a 16-bit arithmetic right shift of the accumulator before accumulation.
- The double-precision multiplication algorithm is not supported, even if the Double-Precision Multiply mode bit is set.
- The bit parsing instructions (MERGE, EXTRACT, EXTRACTU, and INSERT) are modified by the Sixteen-bit Arithmetic mode to perform on the appropriate bit positions of the 16-bit data. For the INSERT instruction, you must update the offset by adding a bias value of 16. For details on specific instructions, refer to **Chapter 13, Instruction Set**.
- In the read-modify-write instructions (BCHG, BCLR, BSET and BTST) and in the Jump/Branch on bit instructions (BRCLR, BRSET, BSCLR, BSSET, JCLR, JSET, JSCLR, and JSSET), the bit numbering in Sixteen-bit Arithmetic mode is relative to 16-bit wide words (that is, Bit 0 is the LSB and Bit 15 is the MSB). Do not use bit numbers greater than 15.



## 3.5 Pipeline Conflicts

No pipeline dependencies exist when the result of the data ALU is used as a source operand for the immediately following data ALU instruction. However, data ALU operations can produce pipeline conflicts as described in the following paragraphs.

### 3.5.1 Arithmetic Stall

Since every data ALU instruction completes in two clock cycles, an interlock condition occurs during an attempt to read an accumulator (or parts of an accumulator) if the preceding instruction is a data ALU instruction that specifies the same accumulator as the destination. This interlock condition, arithmetic stall, is detected in hardware, and an idle cycle (no op) is inserted, thereby guaranteeing the correctness of the result. You can optimize code by inserting a useful instruction before the read instruction. **Figure 3-11** describes cases in which the pipelined nature of the data ALU generates an arithmetic stall.

```

;following example illustrates a one-clock pipeline delay when
;trying to read an accumulator as source for move:
mac    x0,y0,a                ;data ALU operation
move   a1,x:(r0)+            ;one clock delay is added to
                                ;allow mac to complete

;following example illustrates a one-clock pipeline delay when
;trying to read an accumulator as source for bset:
tfr    a,b                    ;data ALU operation
bset   #3,b                    ;one clock delay is added to
                                ;allow tfr to complete

following example illustrates a way to find useful usage of
;the pipeline delay clock:
mac    x0,y0,a                ;data ALU operation
mac    x1,y1,b                ;insert a useful instruction
move   a,x:(r0)+            ;read accumulator A without
                                ;any time penalty

```

**Figure 3-11.** Pipeline Conflicts—Arithmetic Stall

### 3.5.2 Status Stall

A second interlock condition, status stall, occurs during an attempt to read the Status Register (SR) if the preceding or the second preceding instruction is a data ALU instruction or an accumulator read that updates the Scale (S) and Limit (L) condition codes in the SR. The

hardware inserts two or one idle cycles (no op) accordingly, thereby guaranteeing the correctness of the result.

**Note:** Read Status Register implies a MOVE from SR. Bit manipulation instructions (for example, BSET) act on an SR bit. Program control instructions (for example, BSCLR) test for a bit in the SR.

**Figure 3-12** describes the cases in which the pipelining of the data ALU generates a status stall.

```

;following example illustrates a two-clock pipeline delay when
;trying to read the status register as source for move:
mac    x0,y0,a                ;data ALU operation
move   sr,x:(r0)+            ;TWO clock delay is added to
                                ;allow mac to update SR

;following example illustrates a one-clock pipeline delay when
;trying to read the status register as source for bit
;manipulation instruction:
move   a,x:(r0)+            ;read full accumulator
nop
btst   #5,sr                ;ONE clock delay is added (and
                                ;not two) due to the previous nop

;following example illustrates a one-clock pipeline delay when
;trying to read the status register as source for program control
;instruction:
insert x0,y1,a                ;data ALU operation
bsclr  #5,sr,$ff00ff        ;ONE clock delay is added (and not
                                ;two) since bsclr is a two word
                                ;instruction

```

**Figure 3-12.** Pipeline Conflicts—Status Stall

### 3.5.2.1 Transfer Stall

A third interlock condition, transfer stall, occurs when the source data ALU accumulator of the move portion of an instruction is identical to the destination data ALU accumulator of the move portion of the preceding instruction. Identical accumulators for this matter are any combination of portions (including the full width) of the same data ALU accumulator (for example, A1 and A, A2 and A0, and so on). The hardware inserts one idle cycle (no op), thereby guaranteeing the correctness of the result.

```

;following example illustrates a one-clock pipeline delay when
;trying to read an accumulator that was written by the preceding
;instruction:

```

```

move  y:(r1)+,a1           ;write into partial accumulator
move  a2,x:(r0)+          ;one clock delay is added

```

```

;following example illustrates a way to find useful usage of
;the pipeline delay clock:

```

```

move  y:(r1)+,a1           ;write into partial accumulator
mac   x1,y1,b              ;insert a useful instruction
move  a,x:(r0)+           ;no time penalty for this read

```

### Figure 3-13. Pipeline Conflicts—Transfer Stall

**Note:** A special case of interlock occurs when a 24-bit logic instruction is used and a write operation occurs concurrently to the EXT or the LSP of the same accumulator. The hardware inserts one idle cycle (no op), thereby guaranteeing the correctness of the result. An example of this case is: `or x1, a y1, a0`



# Address Generation Unit

The address generation unit (AGU) is one of three execution units on the DSP56300 core. The AGU performs the effective address calculations (using integer arithmetic) necessary to address data operands in memory and contains the registers used to generate the addresses. To minimize address-generation overhead, the AGU operates in parallel with other chip resources. It implements four types of arithmetic:

- Linear
- Modulo
- Multiple wrap-around modulo
- Reverse-carry

## 4.1 AGU Architecture

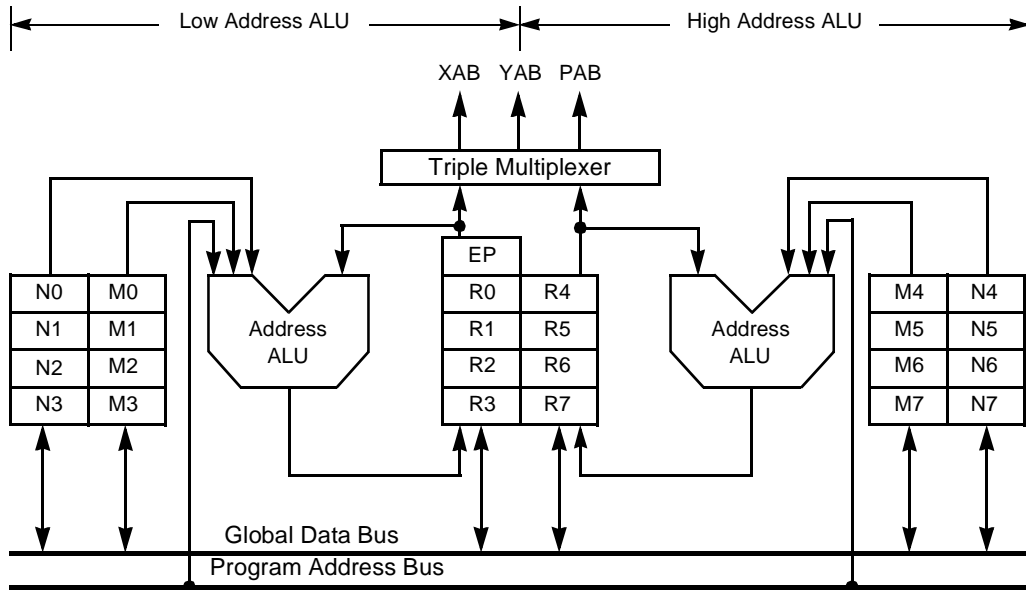
The AGU is divided into halves, each with its own address arithmetic logic unit (address ALU). Each address ALU has four sets of register triplets, and each register triplet is composed of an address register, an offset register, and a modifier register. The two address ALUs are identical. Each contains a 24-bit full adder—an offset adder—which can perform the following additions/subtractions on an address register:

- Plus one
- Minus one
- Plus the contents of the respective offset register N
- Minus the contents of the respective offset register N

A second full adder—a modulo adder—adds the summed result of the first full adder to a modulo value, M or minus M, where M is stored in the respective modifier register. A third full adder—a reverse-carry adder—can perform the following additions, with the carry propagating in the reverse direction (that is, from the Most Significant Bit (MSB) to the Least Significant Bit (LSB)):

- Plus one
- Minus one
- The offset N (stored in the respective offset register)
- Minus N to the selected address register

The offset adder and the reverse-carry adder operate in parallel and share common inputs. The only difference between them is that the carry propagates in opposite directions. Test logic determines which of the three summed results of the full adders is output. **Figure 4-1.** shows a block diagram of the AGU.



**Figure 4-1.** AGU Block Diagram

Each address ALU can update one address register from its respective address register file during one instruction cycle. The contents of the associated modifier register specify the type of arithmetic to be used in the address register update calculation. The modifier value is decoded in the address ALU. The two address ALUs can generate up to two addresses every instruction cycle:

- One for the PAB, or
- One for the XAB, or
- One for the YAB, or
- One for the XAB and one for the YAB

The AGU can directly address 16,777,216 locations on each of the XAB, YAB, and PAB. Using a register triplet to address each operand, the two independent ALUs can work with the two data memories to feed two operands to the data ALU in a single cycle. The registers are:

- Address Registers R[0–3] on the Low Address ALU and R[4–7] on the High Address ALU
- Offset Registers N[0–3] on the Low Address ALU and N[4–7] on the High Address ALU
- Modifier Registers M[0–3] on the Low Address ALU and M[4–7] on the High Address ALU

These registers are referred to as  $R_n$  for any address register,  $N_n$  for any offset register, and  $M_n$  for any modifier register. The  $R_n$ ,  $N_n$ , and  $M_n$  registers are register triplets—that is, the offset and modulo registers of one triplet can be used only with an address register that belongs to the same triplet. For example, only  $N_2$  and  $M_2$  can be used with  $R_2$ . The eight triplets are as follows:

- Low Address ALU register triplets
  - $R_0:N_0:M_0$
  - $R_1:N_1:M_1$
  - $R_2:N_2:M_2$
  - $R_3:N_3:M_3$
- High Address ALU register triplets
  - $R_4:N_4:M_4$
  - $R_5:N_5:M_5$
  - $R_6:N_6:M_6$
  - $R_7:N_7:M_7$

The global data bus (GDB) can read from or write to each register. The address output multiplexers select the address for the XAB, YAB, and PAB, where the address originates from the  $R[0-3]$  or  $R[4-7]$  registers.

## 4.2 Sixteen-Bit Compatibility Mode

When the Sixteen-bit Compatibility (SC) mode bit is set in the  $SR^1$ , AGU operations are modified in the following ways.

- MOVE operations to/from any of the AGU registers ( $R[0-7]$ ,  $N[0-7]$  and  $M[0-7]$ ) clear the eight MSBs of the destination.
- The eight MSBs of any AGU address calculation result are cleared.
- The sign bit of the selected  $N$  register is bit 15 instead of bit 23.
- The eight MSBs of the address are ignored in the calculations of memory regions.

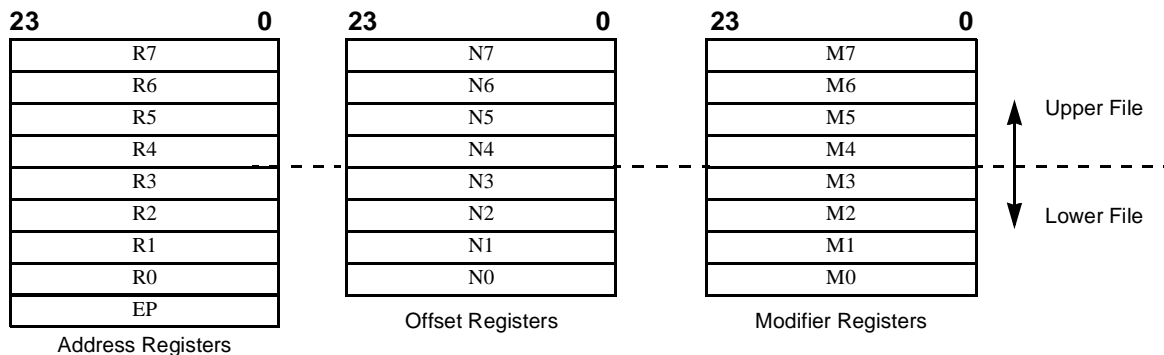
In Sixteen-bit Compatibility (SC) mode, proper memory access is not guaranteed for an address register in which the eight MSBs are not all zeros. If SC mode is invoked dynamically, take care to ensure that the eight MSBs of an address register used to access memory are cleared, since the switch to SC mode does not automatically clear these bits. Due to pipelining, a change in the SC bit takes effect only after three additional instruction cycles. Therefore, to ensure proper operation, insert three NOP instructions after the instruction that sets the SC bit.

---

1. For details on the Status Register (SR), see **Section 5.4.1.2, Status Register (SR)**, on page 5-10.

## 4.3 Programming Model

The programmer views the AGU as eight sets of three registers, as shown in **Figure 4-2**. These registers can be used as temporary data registers and indirect memory pointers. Automatic updating is available when address register indirect addressing is in use. The address registers can be programmed for linear addressing, modulo addressing (regular or multiple wrap-around), and bit-reverse addressing.



**Figure 4-2.** AGU Programming Model

### 4.3.1 Address Register Files

The eight 24-bit address registers R[0 – 7] can contain addresses or general-purpose data. The 24-bit address in a selected address register is used in calculating the effective address of an operand. During parallel X and Y data memory moves, the address registers must be programmed as two separate files, R[0–3] and R[4–7]. The contents of an address register can point directly to data, or they can be offset.

In addition, an address register (R<sub>n</sub>) can be pre-updated or post-updated according to the addressing mode selected. If an R<sub>n</sub> is updated, the corresponding modifier register (M<sub>n</sub>) specifies the type of update arithmetic. Offset registers (N<sub>n</sub>) are used for the update-by-offset addressing modes.

The address register modification is performed by one of the two modulo arithmetic units. Most addressing modes modify the selected address register in a read-modify-write fashion. The address register is read, the associated modulo arithmetic unit modifies its contents, and the register is written with the appropriate output of the modulo arithmetic unit. The contents of the offset and modifier registers control the form of address register modification performed by the modulo arithmetic unit. These registers are discussed in **Section 4.3.3** and **Section 4.3.4**.

### 4.3.2 Stack Extension Pointer

The stack extension is in an area in internal memory (extending the hardware stack, thus the name). The stack extension exists in either the X data memory or the Y data memory, as selected



by the *XY*S bit in the Operating Mode Register (OMR) (refer to **Section 5**, *Program Control Unit*, on page 5-1 for a detailed description of the OMR). The stack uses push operations to add data to the stack and pull operations to retrieve data from the stack.

The contents of the 24-bit stack Extension Pointer (EP) register point to the stack extension whenever the stack extension is enabled and move operations to or from the on-chip hardware stack are needed. The EP register points to the next available location to which a push can be made (that is, it points just past the last item on the stack). The EP register is a read/write register and is referenced implicitly (for example, by the DO, JSR, or RTI instructions) or directly (for example, by the MOVEC instruction). The EP register is not initialized during hardware reset, and must be set (using a MOVEC instruction) prior to enabling the stack extension. For more information on the operation of the stack extension, see **Chapter 5**, *Program Control Unit*.

### 4.3.3 Offset Register Files

The eight 24-bit offset registers,  $N[0-7]$ , contain offset values to increment or decrement address registers in address register update calculations. For example, the contents of an offset register are used to step through a table at some rate (for example, five locations per step for waveform generation), or the contents can specify the offset into a table or the base of the table for indexed addressing. Each address register has its own associated offset register. Each offset register can also be used for 24-bit general-purpose storage if it is not required as an address register offset.

### 4.3.4 Modifier Register Files

The eight 24-bit modifier registers,  $M[0-7]$ , define the type of address arithmetic performed for addressing mode calculations. The Address ALU supports linear, modulo, and reverse-carry arithmetic types for all address register indirect addressing modes. For modulo arithmetic, the contents of  $M_n$  also specify the modulus. Each address register has its own associated modifier register. Each modifier register is set to \$FFFFFF on processor reset, which specifies linear arithmetic as the default type for address register update calculations. Each modifier register can also be used for 24-bit general purpose storage if it is not required as an address register modifier.

## 4.4 Addressing Modes

As listed in **Table 4-1**, the DSP56300 family core provides four different addressing modes:

- Register Direct
- Address Register Indirect
- PC-relative
- Special

Table 4-1. Addressing Modes Summary

Addressing Modes	Uses Mn Modifier	Operand Reference										Assembler Syntax
		S	C	D	A	P	X	Y	L	XY		
<b>Register Direct</b>												
Data or Control Register	No		√	√								
Address Register Rn	No				√							
Address Modifier Register Mn	No				√							
Address Offset Register Nn	No				√							
<b>Address Register Indirect</b>												
No Update	No					√	√	√	√	√		(Rn)
Post-increment by 1	Yes					√	√	√	√	√		(Rn) +
Post-decrement by 1	Yes					√	√	√	√	√		(Rn) –
Post-increment by Offset Nn	Yes					√	√	√	√	√		(Rn) + Nn
Post-decrement by Offset Nn	Yes					√	√	√	√	√		(Rn) – Nn
Indexed by Offset Nn	Yes					√	√	√	√			(Rn + Nn)
Pre-decrement by 1	Yes					√	√	√	√			– (Rn)
Short/Long Displacement	Yes						√	√	√			(Rn + displ)
<b>PC-relative</b>												
Short/Long Displacement PC-relative	No					√						(PC + displ)
Address Register	No					√						(PC + Rn)
<b>Special</b>												
Short/Long Immediate Data	No					√						
Absolute Address	No					√	√	√	√			
Absolute Short Address	No						√	√	√			
Short Jump Address	No					√						
I/O Short Address	No						√	√				
Implicit	No	√	√			√						
<b>Note:</b> Note: Use this key to the Operand Reference columns: S = System Stack Reference X = X Memory reference C = Program Control Unit Register Reference Y = Y Memory Reference D = Data ALU Register Reference L = L Memory reference A = Address ALU Register Reference XY = XY Memory Reference P = Program Memory Reference												

#### 4.4.1 Register Direct Modes

The Register Direct addressing modes specify that the operand is in one or more of the ten Data ALU registers, 24 address registers, or seven control registers.

- *Data or Control Register Direct.* The operand is in one, two, or three Data ALU register(s), as specified in a portion of the data bus movement field in the instruction. This addressing mode also specifies a control register operand for special instructions. This reference is classified as a register reference.
- *Address Register Direct.* The operand is in one of the 24 address registers specified by an effective address in the instruction. This reference is classified as a register reference.

## 4.4.2 Address Register Indirect Modes

The Address Register Indirect modes specify that the address register points to a memory location. The term “indirect” signifies that the register contents are not the operand itself, but rather the operand address. These addressing modes specify that an operand is in memory and give the effective address of that operand. In several of the following calculations, the type of arithmetic used to calculate the address is determined by the Mn register.

- *No Update (Rn)*. The operand address is in the address register. The contents of the address register are unchanged by executing the instruction.  
 Example: `MOVE x:(Rn),x0`
- *Post-Increment By One (Rn) +*. The operand address is in the address register. After the operand address is used, it is incremented by one and stored in the same address register. The Nn register is ignored.  
 Example: `MOVE x:(Rn)+,x0`
- *Post-Decrement By One (Rn)*. The operand address is in the address register. After the operand address is used, it is decremented by one and stored in the same address register. The Nn register is ignored.  
 Example: `MOVE x:(Rn)-,x0`
- *Post-Increment By Offset Nn (Rn) + Nn*. The operand address is in the address register. After the operand address is used, it is incremented by the contents of the Nn register and stored in the same address register. The contents of the Nn register are unchanged.  
 Example: `MOVE x:(Rn)+Nn,x0`
- *Post-Decrement By Offset Nn (Rn) – Nn*. The operand address is in the address register. After the operand address is used, it is decremented by the contents of the Nn register and stored in the same address register. The contents of the Nn register are unchanged.  
 Example: `MOVE x:(Rn)-Nn,x0`
- *Indexed By Offset Nn (Rn + Nn)*. The operand address is the sum of the contents of the address register and the contents of the address offset register, Nn. The contents of the Rn and Nn registers are unchanged.  
 Example: `MOVE x:(Rn+Nn),x0`
- *Pre-Decrement By One -(Rn)*. The operand address is the contents of the address register decremented by one. The contents of Rn are decremented by one and stored in the same address register before the memory access. The Nn register is ignored.  
 Example: `MOVE x:-(Rn),x0`
- *Short Displacement (Rn + Short Displacement)*. The operand address is the sum of the contents of the address register Rn and a short signed displacement occupying seven bits in the instruction word. The displacement is first sign-extended to 24 bits (16 bits in SC mode) and then added to Rn to obtain the operand address. The contents of the Rn register

are unchanged. The Nn register is ignored. This reference is classified as a memory reference. Example: MOVE x:(Rn+63),x0

- *Long Displacement (Rn + Long Displacement)*. This addressing mode requires one word (label) of instruction extension. The operand address is the sum of the contents of the address register and the extension word. The contents of the address register are unchanged. The Nn register is ignored. This reference is classified as a memory reference. Example: MOVE x:(Rn+64),x0

### 4.4.3 PC-Relative Modes

In the PC-relative addressing modes, the operand address is obtained by adding a displacement, represented in two's-complement format, to the value of the Program Counter (PC). The PC points to the address of the instruction opcode word. The Nn and Mn registers are ignored, and the arithmetic used is always linear.

- *Short Displacement PC-Relative*. The short displacement occupies nine bits in the instruction operation word. The displacement is first sign-extended to 24 bits and then added to the PC to obtain the operand address.
- *Long Displacement PC-Relative*. This addressing mode requires one word of instruction extension. The operand address is the sum of the contents of the PC and the extension word.
- *Address Register PC-Relative*. The operand address is the sum of the contents of the PC and the address register. The Mn and Nn registers are ignored. The contents of the address register are unchanged.

### 4.4.4 Special Address Modes

The special address modes do not use an address register in specifying an effective address. These modes either specify the operand or the operand address in a field of the instruction, or they implicitly reference an operand.

- *Immediate Data*. This addressing mode requires one word of instruction extension. The immediate data is a word operand in the extension word of the instruction. This reference is classified as a program reference.
- *Immediate Short Data*. The 8-bit or 12-bit operand is part of the instruction operation word. An 8-bit operand is used for an immediate move to register, ANDI, and ORI instructions. It is zero-extended. A 12-bit operand is used for DO and REP instructions. It is also zero-extended. This reference is classified as a program reference.
- *Absolute Address*. This addressing mode requires one word of instruction extension. The operand address is in the extension word. This reference is classified as a memory reference and a program reference.

- *Absolute Short Address.* The operand address occupies six bits in the instruction operation word, and it is zero-extended. This reference is classified as a memory reference.
- *Short Jump Address.* The operand occupies 12 bits in the instruction operation word. The address is zero-extended to 24 bits. This reference is classified as a program reference.
- *I/O Short Address.* The operand address occupies 6 bits in the instruction operation word, and it is one-extended. The I/O short addressing mode is used with the bit manipulation and move peripheral data instructions.
- *Implicit Reference.* Some instructions make implicit reference to the Program Counter (PC), System Stack (SSH, SSL), Loop Address (LA) register, Loop Counter (LC), or Status Register (SR). These registers are implied by the instruction, and their use is defined by the individual instruction descriptions. See **Chapter 12, Guide to the Instruction Set.**

## 4.5 Address Modifier Types

The DSP56300 family core Address ALU supports linear, reverse-carry, modulo, and multiple wrap-around modulo arithmetic types for all address register indirect modes. These arithmetic types easily allow the creation of data structures in memory for First-In, First-Out (FIFO) queues, delay lines, circular buffers, stacks, and bit-reversed Fast Fourier Transform (FFT) buffers. Data is manipulated by updating address registers (pointers) rather than moving large blocks of data. The contents of the address modifier register define the type of arithmetic to be performed for addressing mode calculations. For modulo arithmetic, the address modifier register also specifies the modulus. Each address register has its own associated modifier register. All address register indirect modes can be used with any address modifier type. The following address modifier types are available:

- *Linear addressing.* Useful for general-purpose addressing
- *Reverse-carry addressing.* Useful for  $2^k$ -point FFT addressing
- *Modulo addressing.* Useful for creating circular buffers for FIFO queues, delay lines and sample buffers
- *Multiple wrap-around modulo addressing.* Useful for decimation, interpolation, and waveform generation, since the multiple wrap-around capability can be used for argument reduction

**Table 4-2** lists the address modifier types.

**Table 4-2.** Address Modifier Type Encoding Summary

Modifier Mn	Address Calculation Arithmetic
\$XX0000	Reverse-Carry (Bit-Reverse)
\$XX0001	Modulo 2

**Table 4-2.** Address Modifier Type Encoding Summary (Continued)

Modifier Mn	Address Calculation Arithmetic
\$XX0002	Modulo 3
:	:
\$XX7FFE	Modulo 32767 ( $2^{15}-1$ )
\$XX7FFF	Modulo 32768 ( $2^{15}$ )
\$XX8001	Multiple Wrap-Around Modulo 2
\$XX8003	Multiple Wrap-Around Modulo 4
\$XX8007	Multiple Wrap-Around Modulo 8
:	:
\$XX9FFF	Multiple Wrap-Around Modulo $2^{13}$
\$XXBFFF	Multiple Wrap-Around Modulo $2^{14}$
\$XXFFFF	Linear (Modulo $2^{24}$ )
<b>Notes:</b> 1. Notes:1. All other combinations are reserved.	
2. 2. XX can be any value.	

#### 4.5.1 Linear Modifier (Mn = \$XXFFFF)

Address modification is performed using normal 24-bit linear (modulo 16,777,216) arithmetic. A 24-bit offset, Nn, and  $\pm 1$  can be used in the address calculations. The range of values can be considered as signed (Nn from  $-8,388,608$  to  $+8,388,607$ ) or unsigned (Nn from 0 to  $+16,777,216$ ), since there is no arithmetic difference between these two data representations.

#### 4.5.2 Reverse-Carry Modifier (Mn = \$000000)

Reverse carry is selected by setting the modifier register to zero. Address modification is performed in hardware by propagating the carry in the reverse direction (that is, from the MSB to the LSB). Reverse carry is equivalent to bit reversing the contents of Rn (redefining the MSB as the LSB, the next MSB as bit 1, and so on) and the offset value, Nn, adding normally, and then bit reversing the result. If the +Nn addressing mode is used with this address modifier and Nn contains a value  $2^{(k-1)}$  (a power of two), this addressing modifier is equivalent to bit reversing the k LSBs of Rn, incrementing Rn by one, and bit reversing the k LSBs of Rn again. This address modification is useful for addressing the two middle factors in  $2^k$ -point FFT addressing and unscrambling  $2^k$ -point FFT data. The range of values for Nn is 0 to  $+8\text{ M}$  (that is,  $Nn = 2^{23}$ ), which allows bit-reverse addressing for FFTs up to 16,777,216 points.

#### 4.5.3 Modulo Modifier (Mn = Modulus – 1)

Address modification is performed using modulo M, where M ranges from 2 to  $+32,768$ . Modulo M arithmetic causes the address register value to remain within an address range of size M, defined by a lower and upper address boundary.

The value  $m = M - 1$  is stored in the modifier register. The lower boundary (base address) value must have zeros in the  $k$  LSBs, where  $2^k \geq M$ , and therefore must be a multiple of  $2^k$ . The upper boundary is the lower boundary plus the modulo size minus one (base address +  $M - 1$ ). Since  $M \leq 2^k$ , once  $M$  is chosen, a sequential series of memory blocks, each of length  $2^k$ , is created where these circular buffers can be located. If  $M < 2^k$ , there is a space between sequential circular buffers of  $(2^k) - M$ .

The address pointer is not required to start at the lower address boundary or to end on the upper address boundary; it can initially point anywhere within the defined modulo address range. Neither the lower nor the upper boundary of the modulo region is stored; only the size of the modulo region is stored in  $M_n$ . The boundaries are determined by the contents of  $R_n$ . Assuming the Address Register Indirect with post-increment addressing mode,  $(R_n)_+$ , if the address register pointer increments past the upper boundary of the buffer (base address +  $M - 1$ ), it wraps around through the base address (lower boundary). Alternatively, assuming the Address Register Indirect with post-decrement addressing mode,  $(R_n)_-$ , if the address decrements past the lower boundary (base address), it wraps around through the base address +  $M - 1$  (upper boundary).

If an offset,  $N_n$ , is used in the address calculations, the 24-bit absolute value,  $|N_n|$ , must be less than or equal to  $M$  for proper modulo addressing. If  $N_n > M$ , the result is data dependent and unpredictable, except for the special case where  $N_n = P \times 2^k$ , a multiple of the block size where  $P$  is a positive integer. For this special case, when using the  $(R_n) + N_n$  addressing mode, the pointer,  $R_n$ , jumps linearly to the same relative address in a new buffer, which is  $P$  blocks forward in memory. Similarly, for  $(R_n) - N_n$ , the pointer jumps  $P$  blocks backward in memory.

This technique is useful in sequentially processing multiple tables or  $N$ -dimensional arrays. The range of values for  $N_n$  is  $-8,388,608$  to  $+8,388,607$ . The modulo arithmetic unit automatically wraps around the address pointer by the required amount. This type of address modification is useful for creating circular buffers for FIFO queues, delay lines, and sample buffers up to  $8,388,607$  words long, and for decimation, interpolation, and waveform generation. The special case of  $(R_n) \pm N_n$  modulo  $M$  with  $N_n = P \times 2^k$  is useful for performing the same algorithm on multiple blocks of data in memory, for example, when performing parallel Infinite Impulse Response (IIR) filtering.

#### 4.5.4 Multiple Wrap-Around Modulo Modifier

The Multiple Wrap-Around Addressing mode is selected by setting bit 15 of the  $M_n$  register to one and clearing bit 14 to zero, as shown in **Table 4-2** on page 4-9. The address modification is performed using modulo  $M$ , where  $M$  is a power of 2 in the range from  $2^1$  to  $2^{14}$ . Modulo  $M$  arithmetic causes the address register value to remain within an address range of size  $M$  defined by a lower and upper address boundary. The value  $M - 1$  is stored in the  $M_n$  register's 14 Least Significant Bits (bits 13–0), while bit 15 is set to one and bit 14 is cleared to zero. The lower boundary (base address) value must have zeros in the  $k$  LSBs, where  $2^k = M$ , and therefore must

be a multiple of  $2^k$ . The upper boundary is the lower boundary plus the modulo size minus one (base address +  $M - 1$ ).

The address pointer is not required to start at the lower address boundary and may begin anywhere within the defined modulo address range (between the lower and upper boundaries). If the address register pointer increments past the upper boundary of the buffer (base address +  $M - 1$ ), it wraps around to the base address. If the address decrements past the lower boundary (base address), it wraps around to the base address +  $M - 1$ . If an offset  $N_n$  is used in the address calculations, it is not required to be less than or equal to  $M$  for proper modulo addressing, since multiple wrap around is supported for  $(R_n) + N_n$ ,  $(R_n) - N_n$ , and  $(R_n + N_n)$  address updates. Multiple wrap around cannot occur with  $(R_n)_+$ ,  $(R_n)_-$ , and  $-(R_n)$  addressing modes.



# Program Control Unit

The program control unit (PCU) of the DSP56300 family core coordinates execution of program instructions and instructions for processing interrupts and exceptions. The PCU also controls which of the five DSP56300 core processing states (Normal, Exception, Reset, Wait, or Stop) is currently selected. The PCU functions through a seven-stage instruction pipeline and several programmable registers. This chapter describes the PCU hardware, instruction pipeline, and programming model.

## 5.1 Overview

The PCU coordinates execution of instructions using three hardware blocks: the Program Address Generator (PAG), the Program Decode Controller (PDC), and the Program Interrupt Controller (PIC). These blocks perform the following functions:

- Fetch instructions
- Decode instructions
- Execute instructions
- Control hardware DO loops and REP
- Process interrupts and exceptions

Operation of the seven-stage pipeline depends on the current core processing state. The seven stages of the pipeline are as follows:

- Fetch-I
- Fetch-II
- Decode
- Address gen-I
- Address gen-II
- Execute-I
- Execute-II

To preserve current operation and status values while processing exceptions and interrupts, the PCU provides a System Stack to store current register contents before executing the exception/interrupt handler program. These contents are restored when control returns to the current program. In addition to these standard program flow-control resources, the PCU provides

special support for hardware DO loops and an instruction REPEAT mechanism. To perform its functions, the PCU uses a number of programmable registers. The organization of these registers forms the programming model for the PCU:

- General configuration and status:
  - Operating Mode Register (OMR)—24-bit, read/write
  - Status Register (SR)—24-bit, read/write
- System Stack configuration and operation:
  - System Stack (SS) register file—hardware stack, 48-bit × 16 locations, read/write
  - System Stack High (SSH) Register—24-bit, read/write
  - System Stack Low (SSL) Register—24-bit, read/write
  - Stack Pointer (SP) Register—24-bit, read/write
  - Stack Counter (SC) Register—5-bit, read/write
  - Stack Size (SZ) Register—24-bit, read/write

The stack Extension Pointer (EP) Register is also used with the System Stack, but is physically part of the Address Generation Unit. For a description of this register, refer to **Appendix 4**, *Address Generation Unit*.

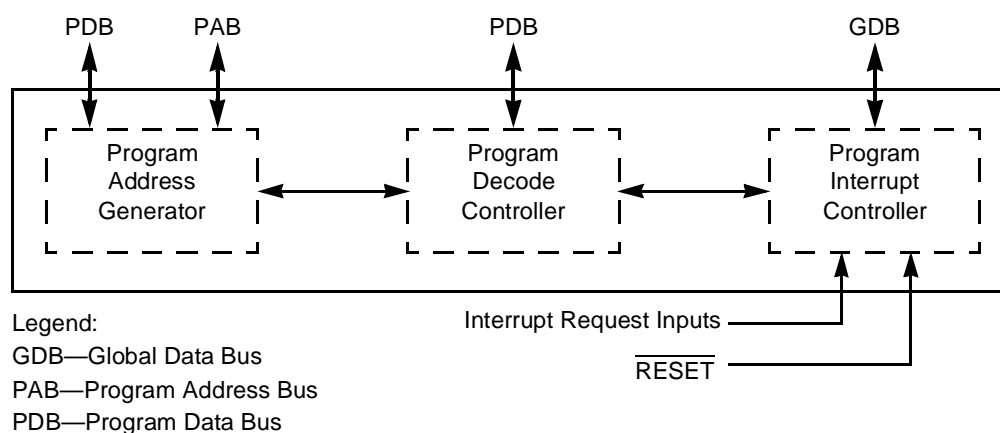
- Program/Loop/Exception processing control:
  - Program Counter (PC) Register—24-bit, read/write
  - Loop Address (LA) Register—24-bit, read/write
  - Loop Counter (LC) Register—24-bit, read/write
  - Vector Base Address (VBA) Register—24-bit, read/write

## 5.2 PCU Hardware Architecture

The three PCU hardware blocks are:

- *Program Address Generator (PAG)*—Contains all the hardware needed for program address generation, System Stack, and loop control
- *Program Decode Controller (PDC)*
  - Decodes the 24-bit instruction loaded into the instruction latch
  - Generates all signals for pipeline control
  - Performs required data transfers between the Data Arithmetic Logic Unit (Data ALU) and memory
- *Program Interrupt Controller (PIC)*—Arbitrates among all interrupt requests (internal interrupts and the five external interrupts:  $\overline{IRQA}$ ,  $\overline{IRQB}$ ,  $\overline{IRQC}$ ,  $\overline{IRQD}$ , and  $\overline{NMI}$ ) and generates the appropriate interrupt vector address

**Figure 5-1** shows a block diagram of the PCU.



**Figure 5-1.** PCU Architecture

## 5.3 Instruction Pipeline

Within the seven-stage pipelined architecture of the PCU, instructions execute concurrently. Execution of a given pipeline stage for one instruction occurs concurrently with execution of other pipeline stages for other instructions. **Table 5-1** and **Figure 5-2** show that these stages include two fetch stages, one decode stage, two address generation stages, and two execute stages. The pipelined operation is essentially transparent, thus easing programmability. Transparency is achieved by means of interlock hardware present in every execution unit of the processor so that programs written for the DSP56000 family devices execute correctly on the DSP56300 core without any modification. However, code can be optimized to reduce interlocks and improve execution speed.

**Table 5-1.** Seven-Stage Pipeline

Pipeline Stage	Description
Fetch-I	<ul style="list-style-type: none"> <li>Address generation for Program Fetch</li> <li>Increment PC register</li> </ul>
Fetch-II	<ul style="list-style-type: none"> <li>Instruction word read from memory</li> </ul>
Decode	<ul style="list-style-type: none"> <li>Instruction Decode</li> </ul>
AddressGen-I	<ul style="list-style-type: none"> <li>Address generation for Data Load/Store operations</li> </ul>
AddressGen-II	<ul style="list-style-type: none"> <li>Address pointer update</li> </ul>
Execute-I	<ul style="list-style-type: none"> <li>Read source operands to Multiplier and Adder</li> <li>Read source register for memory store operations</li> <li>Multiply</li> <li>Write destination register for memory load operations</li> </ul>
Execute-II	<ul style="list-style-type: none"> <li>Read source operands for Adder if written by previous ALU operation</li> <li>Add</li> <li>Write Adder results to the Adder destination operand</li> <li>Write Multiplier results to the Multiplier destination operands</li> </ul>

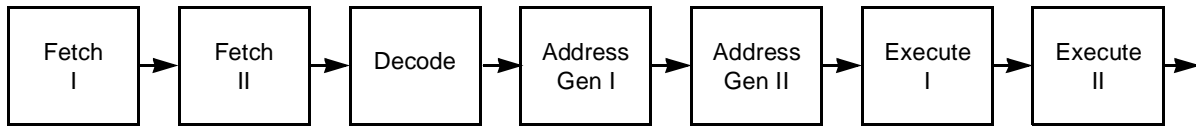


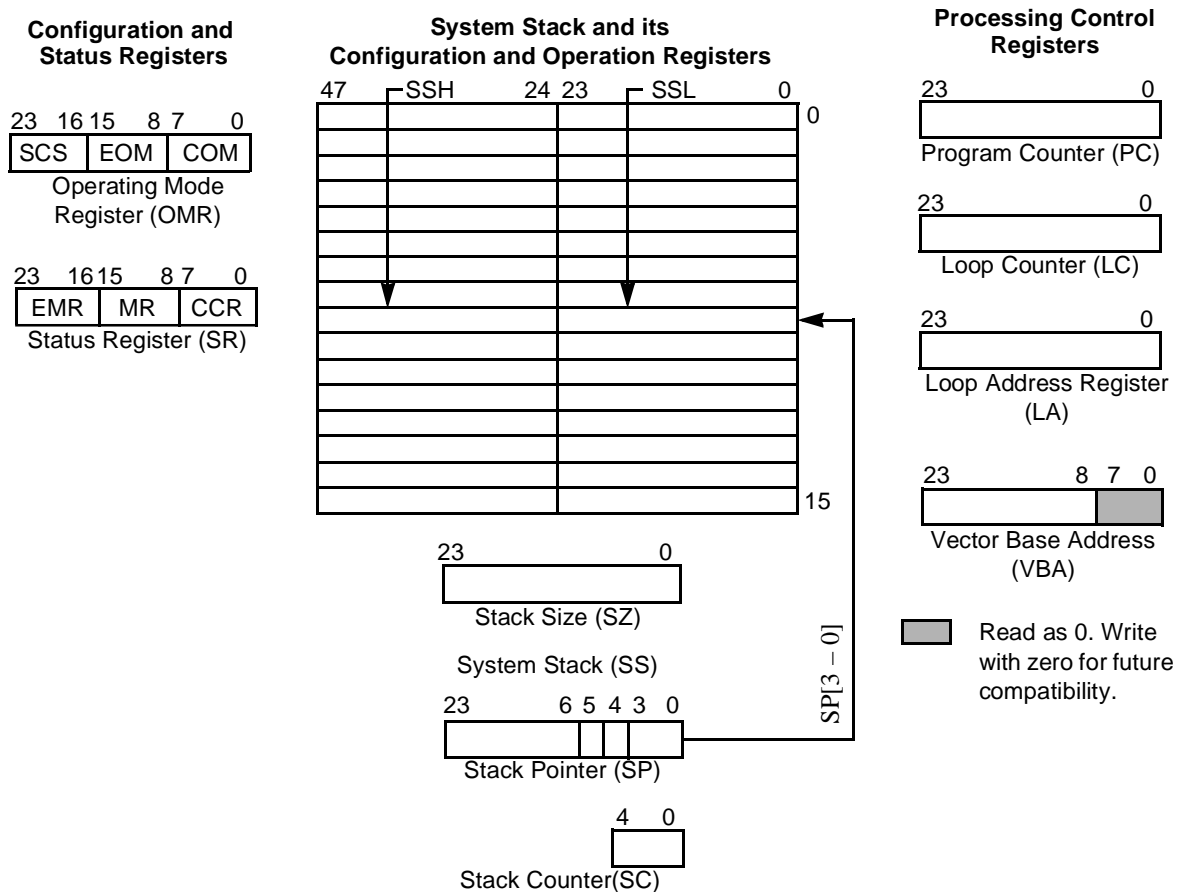
Figure 5-2. Seven-Stage Pipeline

### 5.4 PCU Programming Model

The PCU programming model comprises three functional areas:

- Configuration and status registers
- System Stack configuration and operation registers
- Program/Loop/Exception processing control registers

Figure 5-3 shows the PCU programming model with the registers and the system stack. The following paragraphs describe each register.



- Notes:
1. The Extension Pointer (EP) Register is also used with the System Stack, but it is physically part of the Address Generation Unit (AGU).
  2. SSH and SSL point to the upper and lower halves of the stack location specified by the SP.

Figure 5-3. PCU Programming Model

## 5.4.1 Configuration and Status Registers

Bits that are listed as reserved in the following sections can be defined for specific devices within the DSP56300 family. Refer to the device-specific user's manual to determine whether a reserved bit is defined for that device. The PCU contains two registers that configure and report the current status of the PCU:

- Operating Mode Register (OMR)
- Status Register (SR)

### 5.4.1.1 Operating Mode Register

The OMR (**Figure 6**) is a 24-bit register that is partitioned into the following three bytes:

- OMR[23–16], System Stack Control/Status (SCS) Byte. Controls and monitors the stack extension in the data memory. The SCS byte is referenced implicitly by some instructions—such as DO, JSR, and RTI—or directly by the MOVEC instruction.
- OMR[15–8], Extended Chip Operating Mode (EOM) Byte. Determines the operating mode of the chip. This byte is affected only by hardware reset and by instructions directly referencing the OMR (that is, ANDI, ORI, and other instructions, such as MOVEC, that specify OMR as a destination).
- OMR[7–0], Chip Operating Mode (COM) Byte. Determines the operating mode of the chip. This byte is affected only by hardware reset and by instructions directly referencing the OMR (that is, ANDI, ORI, and other instructions, such as MOVEC, that specify OMR as a destination). During hardware reset, the chip operating mode bits (MD, MC, MB, and MA) are loaded from the external mode select pins MODD, MODC, MODB, and MODA, respectively.

The following sections describe all defined bit functions; however, not all defined functions are implemented on all DSP56300 family devices. Always write non-implemented functions as zeros to ensure future compatibility. Refer to the latest device-specific user's manuals, technical data sheets, and technical bulletins for detailed information about implementation and usage for a particular device.

Stack Control/Status (SCS)						Extended Operating Mode (EOM)						Chip Operating Mode (COM)											
23	22	21	20	19	18	17	16	15	14	13	12	11	10	9	8	7	6	5	4	3	2	1	0
PEN	MSW[1-0]	SEN	WRP	EOV	EUN	XYS	A	ATE	APD	ABE	BRT	TAS	BE	CDP[1-0]	MS	SD			EBD	MD	MC	MB	MA

**Reset:**

0	0	0	0	0	0	0	0	0	0	0	0	0	0	1	1	0	0	0	0	*	*	*	*
---	---	---	---	---	---	---	---	---	---	---	---	---	---	---	---	---	---	---	---	---	---	---	---

\* After reset, these bits reflect the corresponding value of the mode input (that is, MODD, MODC, MODB, or MODA, respectively).


 Reserved bit. Read as zero; write to zero for future compatibility

Figure 5-6. Operating Mode Register (OMR)

Table 5-2. Operating Mode Register Bit Definitions

Bit Number	Bit Name	Reset Value	Description
23	PEN	0	<b>Patch Enable</b> Enables/Disables the memory patch function, if implemented. Refer to the device-specific user's manual to determine whether and how this function is used on a specific device. Hardware reset clears this bit.
22-21	MSW[1-0]	0	<b>Memory Switch Configuration</b> Determine what portion of the higher locations of internal X and Y data memory are switched to internal program memory when Memory Switch mode is enabled. Memory Switch mode allows reallocation of portions of X and Y data RAM as program RAM. Memory Switch mode is enabled when the Memory Switch bit, OMR[7] is set. For details on how much memory is switched, see the device-specific user's manual for a particular DSP56300 family device. The MSW bits are not available on all members of the DSP56300 family.
20	SEN	0	<b>Stack Extension Enable</b> Enables/ Disables the stack extension in data memory. If SEN is set, the extension is enabled. Hardware reset clears this bit, so the default out of reset is a disabled stack extension.
19	WRP	0	<b>Stack Extension Wrap</b> During the debugging phase of the software development, this flag can be used to evaluate and increase the speed of software-implemented algorithms. WRP is set when copying from the on-chip hardware stack (System Stack Register file) to the stack extension memory begins. The WRP flag is a <i>sticky bit</i> (that is, cleared only by hardware reset or by an explicit MOVE operation to the OMR). Hardware reset clears the WRP flag.
18	EOV	0	<b>Stack Extension Overflow</b> Set when a stack overflow occurs in Stack Extended mode. Extended stack overflow is recognized when a push operation is requested while SP = SZ (Stack Size register), and the Extended mode is enabled by the SEN bit. The EOV flag is a <i>sticky bit</i> (that is, cleared only by hardware reset or by an explicit MOVE operation to the OMR). The transition of the EOV flag from zero to one causes a Priority Level 3 (Non-maskable) stack error exception. Hardware reset clears the EOV flag.

Table 5-2. Operating Mode Register Bit Definitions (Continued)

Bit Number	Bit Name	Reset Value	Description
17	EUN	0	<p><b>Stack Extension Underflow</b> Set when a stack underflow occurs in the Stack Extended mode. Stack extended underflow is recognized when a pull operation is requested, SP = 0, and the Extended mode is enabled by the SEN bit. The EUN flag is a <i>sticky bit</i> (that is, cleared only by hardware reset or by an explicit MOVE operation to the OMR). Transition of the EUN flag from zero to one causes a Priority Level 3 (Non-maskable) stack error exception. Hardware reset clears the EUN flag.</p> <p>NOTE: While the chip is in Extended Stack mode, the UF bit in the SP acts like a normal counter bit.</p>
16	XYS	0	<p><b>Stack Extension XY Select</b> Determines if the stack extension is mapped onto the X memory space or onto the Y memory space. If YYS is clear, then the stack extension is mapped onto the X memory space. If YYS is set, the stack extension is mapped to the Y memory space. Hardware reset clears the YYS bit.</p>
15	ATE	0	<p><b>Address Trace Enable</b> Enables Address Trace mode. The Address Trace mode is a debugging tool that reflects internal memory accesses at the external address lines. Refer to device-specific user's manuals and technical data sheets to determine if this feature is implemented for a specific device and how to use it during debugging. Hardware reset clears the ATE bit.</p>
14	APD	0	<p><b>Address Attribute Priority Disable</b> Disables the priority assigned to the Address Attribute signals (AA0-AA3). When APD = 0 (default setting), the four Address Attribute signals each have a certain priority: AA3 has the highest priority, AA0 has the lowest priority. Therefore, only one AA signal can be active at one time. This allows continuous partitioning of external memory; however, certain functions, such as using the AA signals as additional address lines, require additional interface hardware. When APD = 1, the priority mechanism is disabled, allowing more than one AA signal to be active simultaneously. Therefore, the AA signals can be used as additional address lines without the need for additional interface hardware. To determine whether this feature is implemented for a particular device, refer to the user's manual and technical data sheets relating to that device. For details on the Address Attribute Registers, see <b>Appendix 9, External Memory Interface (Port A)</b>. Hardware reset clears the APD bit.</p>
13	ABE	0	<p><b>Asynchronous Bus Arbitration Enable</b> Eliminates the setup and hold time requirements (with respect to CLKOUT) for <math>\overline{BB}</math> and <math>\overline{BG}</math>, and substitutes a required non-overlap interval between the deassertion of one <math>\overline{BG}</math> input to a DSP56300 family device and the assertion of a second <math>\overline{BG}</math> input to a second DSP56300 family device on the same bus. When the ABE bit is set, the <math>\overline{BG}</math> and <math>\overline{BB}</math> inputs are <u>synchronized</u>. This synchronization causes a delay between a change in BG or BB until the receiving device actually accepts the change. Hardware reset clears the ABE bit.</p>

**Table 5-2. Operating Mode Register Bit Definitions (Continued)**

Bit Number	Bit Name	Reset Value	Description										
12	BRT	0	<p><b>Bus Release Timing</b>                      Selects between fast or slow bus release. If BRT is cleared, a Fast Bus Release mode is selected (that is, no additional cycles are added to the access and <math>\overline{BB}</math> is not guaranteed to be the last Port A pin that is tri-stated at the end of the access). If BRT is set, a Slow Bus Release mode is selected (that is, an additional cycle is added to the access, and <math>\overline{BB}</math> is the last Port A pin that is tri-stated at the end of the access). Hardware reset clears the BRT bit. For details on the bus release modes and their applications, refer to <b>Appendix 9, External Memory Interface (Port A)</b>.</p>										
11	TAS	0	<p><b><math>\overline{TA}</math> Synchronize Select</b>                      Selects the synchronization method for the input Port A pin—<math>\overline{TA}</math> (Transfer Acknowledge). At operating frequencies <math>\leq 100</math> MHz, you can use <math>\overline{TA}</math> with external synchronization with respect to CLKOUT or asynchronously (which synchronizes the <math>\overline{TA}</math> signal with the clock internally) depending on the setting of the TAS bit in the Operating Mode Register (OMR). If external synchronous mode is selected (TAS = 0), you are responsible for ensuring that <math>\overline{TA}</math> transitions occur synchronous to CLKOUT to ensure correct operation. External synchronous operation is not supported above 100 MHz; therefore, when using <math>\overline{TA}</math> above 100 MHz, the OMR[TAS] bit must be set to synchronize the <math>\overline{TA}</math> signal internally with the system clock.</p>										
10	BE	0	<p><b>Cache Burst Mode Enable</b>                      Enables/Disables the Burst mode in the memory expansion port during an instruction cache miss. If the bit is cleared, the Burst mode is disabled and only one program word is fetched from the external memory when an instruction cache miss condition is detected. If the bit is set, the Burst mode is enabled, and up to four program words are fetched from the external memory when an instruction cache miss is detected. For details on the Burst mode, see <b>Appendix 8, Instruction Cache</b>. Hardware reset clears the BE bit.</p>										
9–8	CDP[1–0]	1	<p><b>Core-DMA Priority</b>                      Specify the priority between core accesses and DMA accesses to the external bus. Following are the core-DMA priorities for these bits. The CDP[1–0] bits are set during hardware reset.</p> <table border="1"> <thead> <tr> <th>CDP[1–0]</th> <th>Core-DMA Priority</th> </tr> </thead> <tbody> <tr> <td>00</td> <td>Determined by comparing status register CP[1–0] to the active DMA channel priority</td> </tr> <tr> <td>01</td> <td>DMA accesses have higher priority than core accesses</td> </tr> <tr> <td>10</td> <td>DMA accesses have the same priority as the core accesses</td> </tr> <tr> <td>11</td> <td>DMA accesses have lower priority than the core accesses</td> </tr> </tbody> </table>	CDP[1–0]	Core-DMA Priority	00	Determined by comparing status register CP[1–0] to the active DMA channel priority	01	DMA accesses have higher priority than core accesses	10	DMA accesses have the same priority as the core accesses	11	DMA accesses have lower priority than the core accesses
CDP[1–0]	Core-DMA Priority												
00	Determined by comparing status register CP[1–0] to the active DMA channel priority												
01	DMA accesses have higher priority than core accesses												
10	DMA accesses have the same priority as the core accesses												
11	DMA accesses have lower priority than the core accesses												



Table 5-2. Operating Mode Register Bit Definitions (Continued)

Bit Number	Bit Name	Reset Value	Description
7	MS	0	<p><b>Memory Switch Mode</b> Allows some internal memory modules to be switched from Program RAM to data RAM (X, Y, or both) or <i>vice versa</i>. The MS bit is cleared during hardware reset.</p> <p>NOTES:</p> <ol style="list-style-type: none"> <li>1. For some DSP56300 family devices (for example, the DSP56301), the Program RAM reserved for the Instruction Cache area changes its physical location in memory after the MS bit is set, because the instruction cache always uses the highest internal Program RAM addresses in those chips. Check your device-specific user's manual.</li> <li>1. To ensure proper operation, place six NOP instructions after the instruction that changes the MS bit.</li> <li>2. To ensure proper operation, do not change the MS bit while the instruction cache is enabled (CE bit is set in SR).</li> <li>3. Actual memory configuration is device-specific; refer to the device-specific technical data sheets and user's manuals for implementation information.</li> </ol>
6	SD	0	<p><b>Stop Delay Mode</b> Determines the length of the delay invoked when the core exits the Stop state. The STOP instruction suspends core processing indefinitely until a defined event occurs to restart it. If the Stop Delay (SD) mode bit is cleared, a 128 K words clock cycle delay is invoked before a STOP instruction cycle continues. However, if the SD bit is set, the delay before the instruction cycle resumes is 16 clock cycles. The long delay allows a clock stabilization period for the internal clock to begin oscillating. When a stable external clock is used, the shorter delay allows faster start-up of the DSP56300 core. The SD bit is cleared during hardware reset.</p>
5		0	<p><b>Reserved</b> Write to zero for future compatibility.</p>
4	EBD	0	<p><b>External Bus Disable</b> Disables the external bus controller in order to reduce power consumption when external memories are not used. When the EBD bit is set, the external bus controller is disabled and external memory cannot be accessed. When the EBD bit is cleared, the external bus controller is enabled and external access can be performed. Hardware reset clears the EBD bit.</p>
3–0	M[D–A]	*	<p><b>Chip Operating Mode</b> Indicate the operating mode of the DSP56300 core. On hardware reset, these bits are loaded from the external mode select pins, MODD, MODC, MODB, and MODA, respectively. After the DSP56300 core leaves the Reset state, MD, MC, MB, and MA can be changed under program control.</p> <p>*After reset, these bits reflect the corresponding value of the mode input (that is, MODD, MODC, MODB, or MODA, respectively).</p>

### 5.4.1.2 Status Register (SR)

The Status Register (SR) (**Figure 5-4**) is a 24-bit register that consists of the following three 8-bit special-purpose control registers:

- *Extended Mode Register (EMR) (SR[23–16])*. Defines the current system state of the processor. The EMR bits are affected by hardware reset, exception processing, DO FOREVER instructions, ENDDO (end current DO loop) instructions, BRKcc instructions, RTI (return from interrupt) instructions, TRAP instructions, and instructions that specify SR as their destination (for example, MOVEC). During hardware reset, all EMR bits are cleared.
- *Mode Register (MR) (SR[15–8])*. Defines the current system state of the processor. The MR bits are affected by hardware reset, exception processing, DO instructions, ENDDO (end current DO loop) instructions, RTI (return from interrupt) instructions, TRAP instructions, and instructions that directly reference the MR (for example, ANDI, ORI, or instructions, such as MOVEC, that specify SR as the destination). During hardware reset, the interrupt mask bits are set and all other bits are cleared.
- *Condition Code Register (CCR) (SR[7–0])*. Defines the results of previous arithmetic computations. The CCR bits are affected by Data Arithmetic Logic Unit (Data ALU) operations, parallel move operations, instructions that directly reference the CCR (ORI and ANDI), and by instructions that specify SR as a destination (for example, MOVEC). Parallel move operations affect only the S and L bits of the CCR. During hardware reset, all CCR bits are cleared.

The SR is pushed onto the system stack when:

- Program looping is initialized
- A JSR is performed, including long interrupts
- The three 8-bit registers are defined within the SR primarily for compatibility with other Freescale DSPs.

Extended Mode Register (EMR)								Mode Register (MR)								Condition Code Register (CCR)							
23	22	21	20	19	18	17	16	15	14	13	12	11	10	9	8	7	6	5	4	3	2	1	0
CP[1-0]	RM	SM	CE		SA	FV	LF	DM	SC		S[1-0]	I[1-0]			S	L	E	U	N	Z	V	C	
<b>Reset:</b>																							
1	1	0	0	0	0	0	0	0	0	0	0	0	0	1	1	0	0	0	0	0	0	0	0

Reserved bit. Read as zero; write to zero for future compatibility

**Figure 5-4.** Status Register (SR)

Table 5-1. Status Register Bit Definitions

Bit Number	Bit Name	Reset Value	Description																																
23–22	CP[1–0]	1	<p><b>Core Priority</b> Under the control of CDP[1–0] bits in the Operating Mode Register (OMR), the Core Priority bits, CP1 and CP0, specify the priority of core accesses to external memory. These bits are compared against the priority bits of the active DMA channel. If the core priority is greater than the DMA priority, the DMA waits for a free time slot on the external bus. If the core priority is less than the DMA priority, the core waits for a free time slot on the external bus. If the core priority equals the DMA priority, the core and DMA access the external bus in a round robin pattern (for example, ... P, X, Y, DMA, P, X, Y, ...). The core priority bits are set during hardware reset.</p> <table border="1"> <thead> <tr> <th>Priority Mode</th> <th>Core Priority</th> <th>DMA Priority</th> <th>OMR (CDP [1–0])</th> <th>SR (CP[1–0])</th> </tr> </thead> <tbody> <tr> <td rowspan="4">Dynamic</td> <td>0 (Lowest)</td> <td rowspan="4">Determined by DCRn (DPR[1–0]) for active DMA channel</td> <td>00</td> <td>00</td> </tr> <tr> <td>1</td> <td>00</td> <td>01</td> </tr> <tr> <td>2</td> <td>00</td> <td>10</td> </tr> <tr> <td>3 (Highest)</td> <td>00</td> <td>11</td> </tr> <tr> <td rowspan="3">Static</td> <td colspan="2">core &lt; DMA</td> <td>01</td> <td>xx</td> </tr> <tr> <td colspan="2">core = DMA</td> <td>10</td> <td>xx</td> </tr> <tr> <td colspan="2">core &gt; DMA</td> <td>11</td> <td>xx</td> </tr> </tbody> </table>	Priority Mode	Core Priority	DMA Priority	OMR (CDP [1–0])	SR (CP[1–0])	Dynamic	0 (Lowest)	Determined by DCRn (DPR[1–0]) for active DMA channel	00	00	1	00	01	2	00	10	3 (Highest)	00	11	Static	core < DMA		01	xx	core = DMA		10	xx	core > DMA		11	xx
			Priority Mode	Core Priority	DMA Priority	OMR (CDP [1–0])	SR (CP[1–0])																												
			Dynamic	0 (Lowest)	Determined by DCRn (DPR[1–0]) for active DMA channel	00	00																												
				1		00	01																												
				2		00	10																												
				3 (Highest)		00	11																												
Static	core < DMA		01	xx																															
	core = DMA		10	xx																															
	core > DMA		11	xx																															
21	RM	0	<p><b>Rounding Mode</b> Selects the type of rounding performed by the Data ALU during arithmetic operations. If the bit is cleared, convergent rounding is selected. If the bit is set, two's-complement rounding is selected. The RM bit is cleared during hardware reset.</p>																																
20	SM	0	<p><b>Arithmetic Saturation Mode</b> Selects automatic saturation on 48 bits for the results going to the accumulator. A special circuit inside the MAC unit performs the saturation. This bit provides an Arithmetic Saturation mode for algorithms that do not recognize or cannot take advantage of the extension accumulator. The SM bit is cleared during hardware reset.</p>																																
19	CE	0	<p><b>Cache Enable</b> Enables/Disables the operation of the instruction cache controller. If the bit is set, the cache is enabled, and instructions are cached into and fetched from the internal Program RAM. If the bit is cleared, the cache is disabled and the DSP56300 core fetches instructions from external or internal program memory, according to the memory space table of the specific DSP56300 core-based device. The CE bit is cleared during a hardware reset. <b>Note:</b> To ensure proper operation, do not clear Cache Enable mode (CE bit in SR) while Burst mode is enabled (BE bit in OMR is set).</p>																																
18		0	<p><b>Reserved</b> Write to zero for future compatibility.</p>																																

Table 5-1. Status Register Bit Definitions (Continued)

Bit Number	Bit Name	Reset Value	Description
17	SA	0	<p><b>Sixteen-Bit Arithmetic Mode</b> Enables the Sixteen-bit Arithmetic mode of operation. When SA is set, the core uses 16-bit operations instead of 24-bit operations. In this mode, 16-bit data is right-aligned in the 24-bit memory locations, registers, and 24-bit register portions. Shifting, limiting, rounding, arithmetic instructions, and moves are performed accordingly. For details on the operation of Sixteen-bit Arithmetic mode, see <b>Appendix 3, Data Arithmetic Logic Unit</b>. Hardware reset clears the SA bit.</p>
16	FV	0	<p><b>DO FOREVER Flag</b> Set when a DO FOREVER loop executes. The FV flag, like the LF flag, is restored from the stack when a DO FOREVER loop terminates. Stacking and restoring the FV flag when initiating and exiting a DO FOREVER loop, respectively, allow the nesting of program loops. When returning from the long interrupt with an RTI instruction, the System Stack is pulled and the value of the FV bit is restored. Hardware reset clears the FV bit.</p>
15	LF	0	<p><b>DO Loop Flag</b> Enables the detection of the end of a program loop. The LF is restored from stack when a program loop terminates. Stacking and restoring the LF when initiating and exiting a program loop, respectively, allow the nesting of program loops. When returning from the long interrupt with an RTI instruction, the System Stack is pulled and the LF bit value is restored. Hardware reset clears the LF bit.</p>
14	DM	0	<p><b>Double-Precision Multiply Mode</b> Enables the operation of four multiply/MAC operations to implement a double precision algorithm. This algorithm multiplies two 48-bit operands with a 96-bit result. Clearing the DM bit disables the mode. The Double Precision Multiply mode is supported in order to maintain object code compatibility with devices in the DSP56000 family. For a more efficient way of executing double-precision multiply, refer to <b>Appendix 3, Data Arithmetic Logic Unit</b>.</p> <p>In Double-Precision Multiply mode, the behavior of the four specific operations listed in the double-precision algorithm is modified. Therefore, do not use these operations (with those specific register combinations) in Double Precision Multiply mode for any purpose other than the double-precision multiply algorithm. All other Data ALU operations (or the four listed operations, but with other register combinations) can be used.</p> <p>The double-precision multiply algorithm uses the Y0 Register at all stages. Therefore, do not change Y0 when running the double-precision multiply algorithm. If the Data ALU must be used in an interrupt service routine, Y0 should be saved with other Data ALU registers to be used and restored before leaving the interrupt routine. The DM bit is cleared during a hardware reset.</p>

Table 5-1. Status Register Bit Definitions (Continued)

Bit Number	Bit Name	Reset Value	Description																									
13	SC	0	<p><b>Sixteen-Bit Compatibility Mode</b>            Enables full compatibility with object code written for the DSP56000 family. When the SC bit is set, MOVE operations to/from any of the following PCU registers clear the eight MSBs of the destination: LA, LC, SP, SSL, SSH, EP, SZ, VBA and SC. If the source is either the SR or OMR, then the eight MSBs of the destination are also cleared. If the destination is either the SR or OMR, then the eight MSBs of the destination are left unchanged. In order to change the value of one of the eight MSBs of the SR or OMR, clear the SC mode bit. The SC mode bit also affects the contents of the Loop Counter Register. If the SC bit is cleared (normal operation), then a loop count value of zero causes the loop body to be skipped, and a loop count value of \$FFFFFF causes the loop to execute the maximum number of <math>2^{24} - 1</math> times. If the SC bit is set, a loop count value of zero causes the loop to be executed <math>2^{16}</math> times, and a loop count value of \$FFFFFF causes the loop to be executed <math>2^{16} - 1</math> times. The AGU also uses this bit. When SC is set, the 8 MSBs are ignored while checking whether the address is internal or external. Refer to the memory configuration chapter of the device-specific user's manual for a full description of the memory map when this bit is set. A read to/from the AGU registers clears the 8 MSBs.</p> <p><b>Note:</b> Due to pipelining, a change in the SC bit takes effect only after three instruction cycles. Insert three NOP instructions after the instruction that changes the value of this bit to ensure proper operation.</p>																									
12		0	<p><b>Reserved</b>            Write to zero for future compatibility.</p>																									
11–10	S[1–0]	0	<p><b>Scaling Mode</b>            The following table shows that the Scaling mode bits, S1 and S0, specify the scaling to be performed in the Data ALU shifter/limiter and the rounding position in the Data ALU MAC unit. The Shifter/limiter Scaling mode affects data read from the A or B accumulator registers out to the X-data bus (XDB) and Y-data bus (YDB). Different scaling modes can be used with the same program code to allow dynamic scaling. One application of dynamic scaling is to facilitate block floating-point arithmetic. The scaling mode also affects the MAC rounding position to maintain proper rounding when different portions of the accumulator registers are read out to the XDB and YDB. Scaling mode bits are cleared at the start of a long Interrupt Service Routine and during a hardware reset.</p> <table border="1"> <thead> <tr> <th>S1</th> <th>S0</th> <th>Scaling Mode</th> <th>Rounding Bit</th> <th>S Equation</th> </tr> </thead> <tbody> <tr> <td>0</td> <td>0</td> <td>No scaling</td> <td>23</td> <td>S = (A46 XOR A45) OR (B46 XOR B45) OR S (previous)</td> </tr> <tr> <td>0</td> <td>1</td> <td>Scale down</td> <td>24</td> <td>S = (A47 XOR A46) OR (B7 XOR B46) OR S (previous)</td> </tr> <tr> <td>1</td> <td>0</td> <td>Scale up</td> <td>22</td> <td>S = (A45 XOR A44) OR (B45 XOR B44) OR S (previous)</td> </tr> <tr> <td>1</td> <td>1</td> <td>Reserved</td> <td>—</td> <td>S undefined</td> </tr> </tbody> </table>	S1	S0	Scaling Mode	Rounding Bit	S Equation	0	0	No scaling	23	S = (A46 XOR A45) OR (B46 XOR B45) OR S (previous)	0	1	Scale down	24	S = (A47 XOR A46) OR (B7 XOR B46) OR S (previous)	1	0	Scale up	22	S = (A45 XOR A44) OR (B45 XOR B44) OR S (previous)	1	1	Reserved	—	S undefined
S1	S0	Scaling Mode	Rounding Bit	S Equation																								
0	0	No scaling	23	S = (A46 XOR A45) OR (B46 XOR B45) OR S (previous)																								
0	1	Scale down	24	S = (A47 XOR A46) OR (B7 XOR B46) OR S (previous)																								
1	0	Scale up	22	S = (A45 XOR A44) OR (B45 XOR B44) OR S (previous)																								
1	1	Reserved	—	S undefined																								

**Table 5-1. Status Register Bit Definitions (Continued)**

Bit Number	Bit Name	Reset Value	Description				
9–8	I[1–0]	1	<b>Interrupt Mask</b> Reflects the current Interrupt Priority Level (IPL) of the processor and indicates the IPL needed for an interrupt source to interrupt the processor. The current IPL of the processor can be changed under software control. The interrupt mask bits are set during hardware reset, but not during software reset. For details about how I1 and I0 are automatically altered during a long interrupt, see <b>Appendix 2, Core Architecture Overview</b> .				
			<b>Priority</b>	<b>I1</b>	<b>I0</b>	<b>Exceptions Permitted</b>	<b>Exceptions Masked</b>
			Lowest	0	0	IPL 0, 1, 2, 3	None
				0	1	IPL 1, 2, 3	IPL 0
				1	0	IPL 2, 3	IPL 0, 1
Highest	1	1	IPL 3	IPL 0, 1, 2			
7	S	0	<b>Scaling</b> Set when a result moves from accumulator A or B to the XDB or YDB buses (during an accumulator-to-memory or accumulator-to-register move) and remains set until explicitly cleared by an instruction or by a hardware reset; that is, the Scaling (S) bit is a <i>sticky bit</i> . This bit is computed, according to the logical equations shown here when an instruction or a parallel move reads the contents of accumulator A or B to the XDB or YDB bus.				
			<b>S0</b>	<b>S1</b>	<b>Scaling Mode</b>	<b>S Bit Equation</b>	
			0	0	No scaling	$S = (A_{46} \text{ XOR } A_{45}) \text{ OR } (B_{46} \text{ XOR } B_{45}) \text{ OR } S \text{ (previous)}$	
			0	1	Scale up	$S = (A_{47} \text{ XOR } A_{46}) \text{ OR } (B_{47} \text{ XOR } B_{46}) \text{ OR } S \text{ (previous)}$	
			1	0	Scale down	$S = (A_{45} \text{ XOR } A_{44}) \text{ OR } (B_{45} \text{ XOR } B_{44}) \text{ OR } S \text{ (previous)}$	
			1	1	Reserved	S undefined	
			The S bit detects data growth, which is required in Block Floating-Point FFT operation. The S bit is set if the absolute value in the accumulator, before scaling, is greater than or equal to 0.25 and smaller than 0.75. Typically, the bit is tested after each pass of a radix 2 decimation-in-time FFT and, if it is set, the appropriate scaling mode should be activated in the next pass.				
6	L	0	<b>Limit</b> Set if the Overflow bit (V) is set or if an instruction or a parallel move causes the data shifter/limiters to perform a limiting operation while reading the contents of accumulator A or B to the XDB or YDB bus. In Arithmetic Saturation mode, the Limit bit (L) is also set when an arithmetic saturation occurs in the Data ALU result. Otherwise, it is not affected. The L bit is a <i>sticky bit</i> and it is cleared only by an instruction that specifically clears it or by a hardware reset. This allows the L bit to be used as a latching overflow bit. The L bit is affected by data movement operations that read the A or B accumulator registers.				

Table 5-1. Status Register Bit Definitions (Continued)

Bit Number	Bit Name	Reset Value	Description																
5	E	0	<p><b>Extension</b> Indicates when the accumulator extension register is in use. This bit is cleared if all the bits of the signed integer portion of the Data ALU result are the same (that is, the bit patterns are either 00. . . 00 or 11. . . 11). Otherwise, this bit is set. The signed integer portion is defined by the scaling mode, as shown here.</p> <table border="1"> <thead> <tr> <th>S1</th> <th>S0</th> <th>Scaling Mode</th> <th>S Bit Equation</th> </tr> </thead> <tbody> <tr> <td>0</td> <td>0</td> <td>No scaling</td> <td>Bits 55, 54.....48, 47</td> </tr> <tr> <td>0</td> <td>1</td> <td>Scale down</td> <td>Bits 55, 54.....49, 48</td> </tr> <tr> <td>1</td> <td>0</td> <td>Scale up</td> <td>Bits 55, 54.....47, 46</td> </tr> </tbody> </table>	S1	S0	Scaling Mode	S Bit Equation	0	0	No scaling	Bits 55, 54.....48, 47	0	1	Scale down	Bits 55, 54.....49, 48	1	0	Scale up	Bits 55, 54.....47, 46
			S1	S0	Scaling Mode	S Bit Equation													
			0	0	No scaling	Bits 55, 54.....48, 47													
			0	1	Scale down	Bits 55, 54.....49, 48													
			1	0	Scale up	Bits 55, 54.....47, 46													
<p>The signed integer portion of an accumulator is not necessarily the same as its extension register portion. It consists of the most significant 8, 9, or 10 bits of that accumulator, depending on the Scaling mode. The extension register portion of an accumulator (A2 or B2) is always the eight Most Significant Bits (MSBs) of that accumulator. The E bit refers to the signed integer portion of an accumulator and not the extension register portion of that accumulator. For example, if the current scaling mode is set for no scaling (S1 = S0 = 0), the signed integer portion of the A or B accumulator consists of bits 47 through 55. If the A accumulator contains the signed 56-bit value \$00:800000:000000 as a result of a Data ALU operation, the E bit is set (E = 1) since the 9 MSBs of that accumulator are not all the same (that is, neither 00...00 nor 11...11). Thus, data limiting occurs if that 56-bit value is specified as a source operand in a move-type operation. This limiting operation results in either a positive or negative 24-bit or 48-bit saturation constant stored in the specified destination. The signed integer portion of an accumulator and the extension register portion of an accumulator are the same only in the "Scale Down" scaling mode (that is, S1 = 0 and S0 = 1).</p>																			
4	U	0	<p><b>Unnormalized</b> Set if the two Most Significant Bits (MSBs) of the Most Significant Portion (MSP) of the Data ALU result are identical. Otherwise, this bit is cleared. The MSP portion of the A or B accumulators is defined by the Scaling mode. The U bit is computed as follows.</p> <table border="1"> <thead> <tr> <th>S1</th> <th>S0</th> <th>Scaling Mode</th> <th>U Bit Computation</th> </tr> </thead> <tbody> <tr> <td>0</td> <td>0</td> <td>No Scaling</td> <td><math>U = \overline{(\text{Bit } 47 \text{ xor Bit } 46)}</math></td> </tr> <tr> <td>0</td> <td>1</td> <td>Scale Down</td> <td><math>U = \overline{(\text{Bit } 48 \text{ xor Bit } 47)}</math></td> </tr> <tr> <td>1</td> <td>0</td> <td>Scale Up</td> <td><math>U = \overline{(\text{Bit } 46 \text{ xor Bit } 45)}</math></td> </tr> </tbody> </table>	S1	S0	Scaling Mode	U Bit Computation	0	0	No Scaling	$U = \overline{(\text{Bit } 47 \text{ xor Bit } 46)}$	0	1	Scale Down	$U = \overline{(\text{Bit } 48 \text{ xor Bit } 47)}$	1	0	Scale Up	$U = \overline{(\text{Bit } 46 \text{ xor Bit } 45)}$
			S1	S0	Scaling Mode	U Bit Computation													
			0	0	No Scaling	$U = \overline{(\text{Bit } 47 \text{ xor Bit } 46)}$													
			0	1	Scale Down	$U = \overline{(\text{Bit } 48 \text{ xor Bit } 47)}$													
			1	0	Scale Up	$U = \overline{(\text{Bit } 46 \text{ xor Bit } 45)}$													
<p>The result of calculating the U bit in this fashion is that the definition of a positive normalized number p is <math>0.5 \leq p &lt; 1.0</math> and the definition of negative normalized number n is <math>-1.0 \leq n &lt; -0.5</math>.</p>																			
3	N	0	<p><b>Negative</b> Set if the MS bit (bit 55 in arithmetic instructions or bit 47 in logical instructions) of the Data ALU result is set. Otherwise, this bit is cleared.</p>																
2	Z	0	<p><b>Zero</b> Set if the Data ALU result equals zero; otherwise, this bit is cleared.</p>																

**Table 5-1. Status Register Bit Definitions (Continued)**

Bit Number	Bit Name	Reset Value	Description
1	V	0	<b>Overflow</b> Set if an arithmetic overflow occurs in the 56-bit Data ALU result. Otherwise, this bit is cleared. This bit indicates that the result cannot be represented in the 56-bit accumulator, so the accumulator overflows. In Arithmetic Saturation mode, an arithmetic overflow occurs if the Data ALU result is not representable in the accumulator without the extension part (that is, 48-bit accumulator, or 32-bit accumulator in Sixteen-bit Arithmetic mode).
0	C	0	<b>Carry</b> Set if a carry is generated from the MSB of the Data ALU result in an addition operation. This bit also is set if a borrow is generated from the MSB of the Data ALU result in a subtraction operation. Otherwise, this bit is cleared. The carry or borrow is generated from bit 55 of the Data ALU result. The C bit is also affected by bit manipulation, rotate, shift, and compare instructions. The C bit is not affected by Arithmetic Saturation mode.

### 5.4.2 Stack and Stack Extension

The following registers control the operation of the System Stack:

- System Stack High (SSH) and System Stack Low (SSL) registers
- Stack Pointer (SP)
- Stack Counter (SC)
- Stack Size register (SZ) (used for stack extension)
- Extension Pointer (EP) Register (used for stack extension)

The 24-bit stack Extension Pointer (EP) register points to the stack extension in data memory whenever the stack extension is enabled and move operations to/from the on-chip hardware stack are needed. The EP register is located in the Address Generation Unit (AGU). For details, refer to **Appendix 4, Address Generation Unit**.

### 5.4.3 System Stack Configuration and Operation Registers

The PCU hardware System Stack is a 16-level by 48-bit separate internal memory that stores the PC and SR contents during subroutine calls and long interrupts. For hardware loops, the System Stack also automatically stores the contents of the LC and LA registers. All other data and control register contents can be stored in the System Stack via software control. Each location in the System Stack is addressable as two 24-bit registers, System Stack High (SSH) and System Stack Low (SSL), to which the four LSBs of the SP register collectively point. The main tasks performed by the system stack include:

- Storing return address and status for subroutine calls (including long interrupts)
- Storing LA, LC, PC, and SR for the hardware DO loops

When a subroutine is called (for example, using the JSR instruction), the return address (PC) is automatically stored in the SSH, and the status register (SR) is automatically stored in the SSL.



When the RTS instruction initiates a return from the subroutine, the contents of the top location in the SSH are pulled and loaded into the PC, and the SR is not affected. When the RTI instruction initiates a return, the contents of the top location in the System Stack are pulled and loaded into the PC and SR (from SSH and SSL, respectively).

The System Stack is also used to implement no-overhead nested hardware DO loops. When a hardware DO loop is initiated (for example, by using the DO instruction), the previous contents of the LC Register are automatically stored in the SSL, the previous contents of the LA Register are automatically stored in the SSH, and the Stack Pointer (SP) is incremented. After the SP is incremented, the address of the loop's first instruction (PC) is also stored in the SSH, and the SR is stored in the SSL.

**Note:** Moving data to or from SSH increments or decrements the SP. The SSL does not affect the SP.

The System Stack can be extended into 24-bit wide X or Y data memory via control hardware that monitors the accesses to the System Stack. This extension is enabled by the Stack Extension Enable (SEN) bit in the chip Operating Mode Register (OMR). If this bit is cleared, the extension of the system stack is disabled, and the amount of nesting is determined by the limited size of the hardware stack (that is, 15 available locations; one location is unusable when the stack extension is disabled). The System Stack can accommodate up to 15 long interrupts, seven DO loops, or 15 JSRs, (or equivalent combinations of these) when its extension into data memory is disabled. When the System Stack limit is exceeded (either in Extended or in the Non-extended mode), a nonmaskable stack error interrupt occurs. By enabling the Stack extension, the limits on the level of nesting of subroutines or DO loops can be set to any desired value, subject to available internal/external memory. The XYS bit in the OMR Register determines whether X or Y data memory is used.

When enabled, a stack extension algorithm is applied to all accesses to the stack:

- If an explicit (for example, MOVE to SSH) or implicit (for example, JSR) push operation is performed, then the stack extension control logic examines the stack after that push has finished. If the on-chip hardware stack is full, the least recently used word is moved into data memory to the location specified by the stack Extension Pointer (EP). The push is always made to the System Stack, and the extension memory space always has the least recently used words moved into it. This always moves one or two 48-bit items or two or four 24-bit words into the next extension memory space to which the stack Extension Pointer (EP) points.
- If an explicit (for example, MOVE from SSH) or implicit (for example, RTS) pull operation is performed, then the stack extension control logic examines the stack after that pull finishes. If the on-chip hardware stack is empty, then the stack is loaded from the location (in data memory) specified by the stack Extension Pointer (EP). For information on stack extension delays, see **Appendix A, *Instruction Timing and Restrictions***.

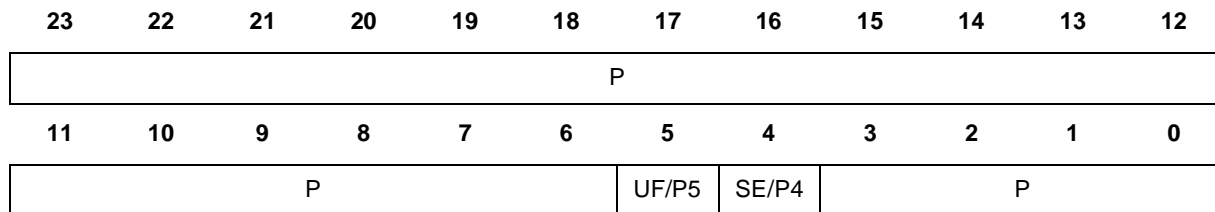
- External memory can be used for stack extension, and wait states affect it in the same way as they affect any other external memory access.

### 5.4.3.1 Stack Pointer (SP) Register

The 24-bit Stack Pointer (SP) register indicates the location of the top of the System Stack. The status of the System Stack is also indicated in SP when the Extended mode is disabled (underflow, empty, full, and overflow functions). The SP register is referenced implicitly by some instructions (for example, DO, JSR, RTI, and so on) or directly by the MOVEC instruction. The following paragraphs describe the SP register format, shown in

**Figure 5-5.** The SP register is a 24-bit counter that addresses (selects) a 16-location stack with its four LSBs. The possible SP values in the Non-extended mode are shown in

**Table 5-2** in the description for the SE bit



**Figure 5-5.** Stack Pointer (SP) Register Format

Immediately after hardware reset, the SP bits are cleared (SP = 0), so SP points to location 0, indicating that the System Stack is empty. Data is pushed onto the System Stack by incrementing the SP, then writing data to the location to which the SP points (the first push after reset is to location 1). An item is pulled off the stack by copying it from the location to which the SP points and then decrementing SP.

**Table 5-2.** Stack Pointer (SP) Register Bit Definitions

Bit Number	Bit Name	Reset Value	Description
23–6	P[23–6]	0	<b>P[23–6]</b> In extended mode, these bits act as bits 6 through 23 of the Stack Pointer as part of a 24-bit up/down counter.
5	UF/PF	0	<b>Underflow Flag / P5</b> In the Extended mode, UF acts as bit 5 of the Stack Pointer as part of a 24-bit up/down counter. In the Non-extended mode, UF is set when a stack underflow occurs. The stack UF is a <i>sticky bit</i> (that is, once the Stack Error flag is set, the UF does not change state until explicitly written by a MOVE instruction). The combination of “underflow = 1” and “stack error = 0” is an illegal combination and does not occur unless you force it. Also see the description for the Stack Error flag.

**Table 5-2. Stack Pointer (SP) Register Bit Definitions (Continued)**

Bit Number	Bit Name	Reset Value	Description																																																																												
4	SE/P4	0	<p><b>Stack Error/P4</b></p> <p>In Extended mode, SE acts as bit 4 of the Stack Pointer as part of a 24-bit up/down counter. In the Non-extended mode, it serves as the Stack Error (SE) flag that indicates that a stack error has occurred. The transition of the SE flag from zero to one in the Non-extended mode causes a Priority Level 3 (Non-maskable) stack error exception. When the non-extended stack is completely full, the SP reads 001111, and any operation that pushes data onto the stack causes a stack error exception. The SP reads 010000 (or 010001 if an implied double push occurs). Any implied pull operation with SP equal to zero causes a stack error exception, and the SP reads \$00003F (or \$00003E if an implied double pull occurs). In extended mode, the SP reads \$FFFFFF (or \$FFFFFFE if an implied double pull occurs). During such cases, the stack error bit is set as shown here.</p> <p>NOTE: The stack error flag is a <i>sticky bit</i> which, once set, remains set until you clear it. The overflow/underflow bit remains latched until the first move to SP executes.</p> <table border="1" style="width: 100%; border-collapse: collapse;"> <thead> <tr> <th colspan="6" style="text-align: center;">SP Register Values in Non-extended Mode</th> </tr> <tr> <th>UF</th> <th>SE</th> <th>P3</th> <th>P2</th> <th>P1</th> <th>P0</th> <th>Description</th> </tr> </thead> <tbody> <tr> <td>1</td> <td>1</td> <td>1</td> <td>1</td> <td>1</td> <td>0</td> <td>Stack Underflow condition after double pull</td> </tr> <tr> <td>1</td> <td>1</td> <td>1</td> <td>1</td> <td>1</td> <td>1</td> <td>Stack Underflow condition</td> </tr> <tr> <td>0</td> <td>0</td> <td>0</td> <td>0</td> <td>0</td> <td>0</td> <td>Stack Empty (Reset); pull causes underflow</td> </tr> <tr> <td>0</td> <td>0</td> <td>0</td> <td>0</td> <td>0</td> <td>1</td> <td>Stack Location 1</td> </tr> <tr> <td>0</td> <td>0</td> <td>*</td> <td>*</td> <td>*</td> <td>*</td> <td>Stack Locations 2-13</td> </tr> <tr> <td>0</td> <td>0</td> <td>1</td> <td>1</td> <td>1</td> <td>0</td> <td>Stack Location 14</td> </tr> <tr> <td>0</td> <td>0</td> <td>1</td> <td>1</td> <td>1</td> <td>1</td> <td>Stack Location 15; push causes overflow</td> </tr> <tr> <td>0</td> <td>1</td> <td>0</td> <td>0</td> <td>0</td> <td>0</td> <td>Stack Overflow condition</td> </tr> <tr> <td>0</td> <td>1</td> <td>0</td> <td>0</td> <td>0</td> <td>1</td> <td>Stack Overflow condition after double push</td> </tr> </tbody> </table> <p>*Equal to Stack Locations 2–13</p>	SP Register Values in Non-extended Mode						UF	SE	P3	P2	P1	P0	Description	1	1	1	1	1	0	Stack Underflow condition after double pull	1	1	1	1	1	1	Stack Underflow condition	0	0	0	0	0	0	Stack Empty (Reset); pull causes underflow	0	0	0	0	0	1	Stack Location 1	0	0	*	*	*	*	Stack Locations 2-13	0	0	1	1	1	0	Stack Location 14	0	0	1	1	1	1	Stack Location 15; push causes overflow	0	1	0	0	0	0	Stack Overflow condition	0	1	0	0	0	1	Stack Overflow condition after double push
SP Register Values in Non-extended Mode																																																																															
UF	SE	P3	P2	P1	P0	Description																																																																									
1	1	1	1	1	0	Stack Underflow condition after double pull																																																																									
1	1	1	1	1	1	Stack Underflow condition																																																																									
0	0	0	0	0	0	Stack Empty (Reset); pull causes underflow																																																																									
0	0	0	0	0	1	Stack Location 1																																																																									
0	0	*	*	*	*	Stack Locations 2-13																																																																									
0	0	1	1	1	0	Stack Location 14																																																																									
0	0	1	1	1	1	Stack Location 15; push causes overflow																																																																									
0	1	0	0	0	0	Stack Overflow condition																																																																									
0	1	0	0	0	1	Stack Overflow condition after double push																																																																									
3–0	P[3–0]	0	<p><b>Stack Pointer</b></p> <p>Point to the 48-bit entry in the System Stack into which the last push was made. In the Non-extended mode, SP is a physical pointer, P[3–0], always having a value less than or equal to the highest physical location in the System Stack. In the extended mode, SP becomes a logical pointer, possibly having a value greater than the highest physical location in the System Stack. However, P[3–0] still point to the top of the stack, which is always in the System Stack.</p>																																																																												

### 5.4.3.2 Stack Counter (SC) Register

The 5-bit Stack Counter (SC) register monitors how many entries of the hardware stack are in use. The SC is a read/write register and is referenced implicitly by some instructions (for

example, DO, JSR, and RTI) or directly by the MOVEC instruction. The stack counter register is cleared during hardware reset. During normal operation, do not write to the SC register. If a task switch is needed, writing a value greater than 14 or smaller than 2 automatically activates the stack extension control hardware. For proper operation, the SC should not be written with values greater than 16.

### 5.4.3.3 Stack Size (SZ) Register

The 24-bit Stack Size (SZ) register determines the number of data words allocated in memory for the stack in the Extended mode. The necessary value of the SZ register can be determined by  $SZ = 15 + \text{software\_buffer\_size} / 2$ , where the buffer size is the number of 24-bit words allocated for the stack extension in data memory. (Fifteen is the maximum number of 48-bit entries that can be occupied in the 16-entry hardware stack at any given time.) The extended stack overflow flag is generated when the value in SP equals the value in SZ and then a push is done.

**Note:** A stack exception can occur only when the stack is used in Non-extended mode.

The SZ register is not initialized during hardware reset, and must be set, using a MOVEC instruction, prior to enabling the stack extension.

## 5.4.4 Program, Loop, and Exception Processing Control

The code execution flow control is performed using four registers in the PCU:

- Program Counter (PC) Register
- Loop Address (LA) Register
- Loop Counter (LC) Register
- Vector Base Address (VBA) Register

### 5.4.4.1 Program Counter (PC) Register

The Program Counter (PC) Register is a special-purpose 24-bit address register that contains the address of instruction words in the program memory space. The PC can point to instructions, data operands, or addresses of operands. References to this register are always inherent and are implied by most instructions. The PC is stacked when hardware loops are initialized, when a JSR is performed, or when a long interrupt occurs. The PC is the source for the calculation of the real address in all position-independent instructions (such as the instruction BRA).

### 5.4.4.2 Loop Address (LA) Register

The contents of the 24-bit Loop Address (LA) register indicate the location of the last instruction word in a hardware loop. This register is stacked into the SSH by a DO instruction and is unstacked either by end-of-loop processing or by execution of ENDDO and BRKcc instructions. The LA register, a read/write register, is written by a DO instruction and read by the System Stack when the register is stacked.

### 5.4.4.3 Loop Counter (LC) Register

The Loop Counter (LC) register is a special read/write 24-bit counter that specifies the number of times a hardware program loop repeats, in the range of 0 to  $(2^{24} - 1)$ . This register is stacked into the SSL by a DO instruction and unstacked by end-of-loop processing or by execution of ENDDO and BRKcc instructions. The LC is also used in the REP instruction to specify how many times to repeat the repeated instruction.

### 5.4.4.4 Vector Base Address (VBA) Register

The Vector Base Address Register (VBA) is a 24-bit register. Eight of the bits VBA[7–0] are read-only and always cleared. The VBA is used as a base address of the interrupt vector table (discussed in **Chapter 2**, *Core Architecture Overview*). When a fast or long interrupt executes, VBA[7–0] are driven from the program interrupt control unit, and bits 23–8 are driven from the VBA. The VBA Register is a read/write register that is referenced implicitly by interrupt processing or directly by the MOVEC instruction. The VBA is cleared during hardware reset.

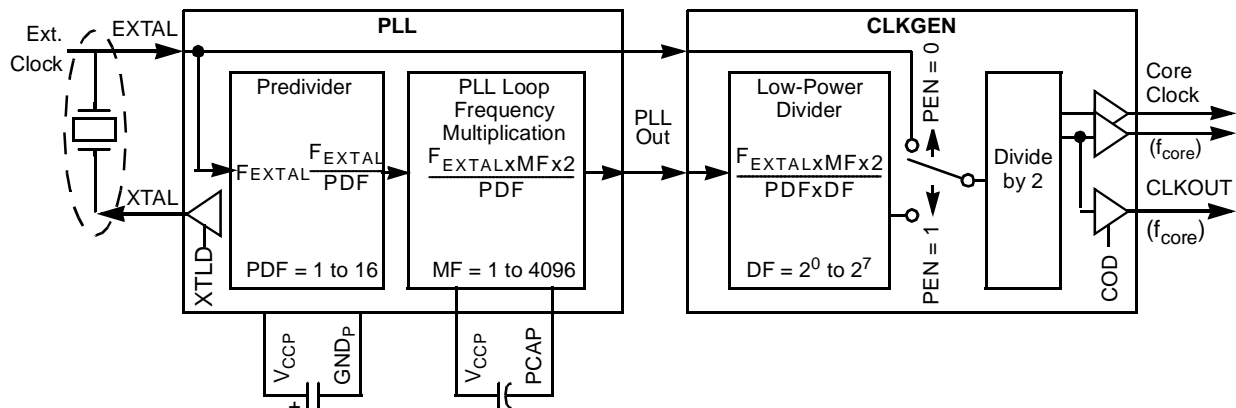


# PLL and Clock Generator

**Note:** The DSP56321 device uses a digital phase-lock loop (DPLL) and a different clock module than other members of the DSP56300 family. Refer to **Chapter 5** of the *DSP56321 Reference Manual*.

The DSP56300 core features a Phase Locked Loop (PLL) clock generator in its central processing module. The PLL allows the processor to operate at a high internal clock frequency derived from a low-frequency clock input, a feature that offers two immediate benefits. The lower frequency clock input reduces the overall electromagnetic interference generated by a system. The ability to oscillate at different frequencies reduces costs by eliminating the need to add additional oscillators to a system. **Figure 6-1** shows the two main blocks of the clock generator in the DSP56300 core:

- Phase Locked Loop (PLL) that performs:
  - Clock input division
  - Frequency multiplication
  - Skew elimination
- Clock Generator (CLKGEN) that performs:
  - Low-power division
  - Internal and external clock generation



Notes: The clock source can be either an external source applied to EXTAL, or a crystal connected to EXTAL and XTAL as a crystal oscillator configuration or connection.

**Figure 6-1.** PLL Clock Generator Block Diagram

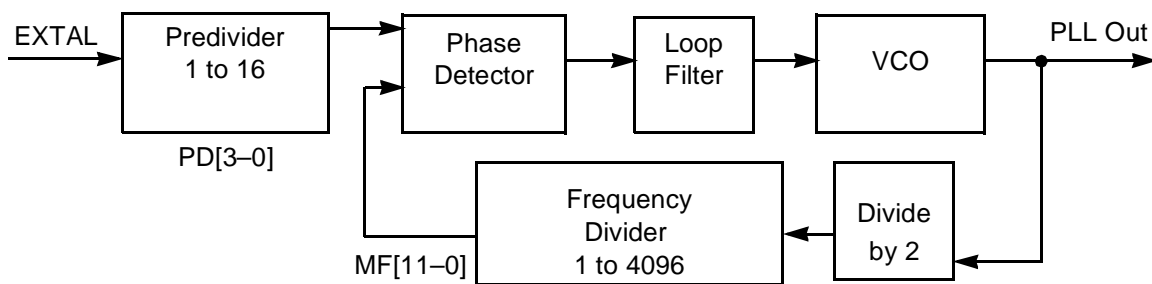
## 6.1 PLL and Clock Signals

The PLL and clock pin configuration for each DSP56300 family member is available in the device-specific technical data sheet. The following pins are dedicated to the PLL and clock operation:

- **PCAP.** Connects an off-chip capacitor to the PLL filter. One terminal of the capacitor connects to PCAP, the other connects to  $V_{CCP}$ . The value of this capacitor depends on the PLL Multiplication Factor (MF). See the device-specific technical data sheet for the correct formula to use for this calculation.
- **CLKOUT.** Provides a 50 percent duty cycle output clock synchronized to the internal processor clock when the PLL is enabled and locked. When the PLL is disabled, the output clock at CLKOUT is derived from EXTAL, and has half the frequency of, EXTAL. This pin is operational in all device processing states except when the PLL Control (PCTL) Register Clock Out Disable (COD) bit is set, and during the Stop state. When the device is in the Wait state, the CLKOUT pin continues to provide a signal.
- **PINIT.** During assertion of hardware reset, the value of the PINIT input pin is written into the PCTL PLL Enable (PEN) bit. After hardware reset is deasserted, the PLL ignores the PINIT pin, and it can have a different function in the device.

## 6.2 PLL Block

This section describes the PLL control mechanisms. **Figure 6-2** shows the PLL block diagram.



**Figure 6-2.** PLL Block Diagram

### 6.2.1 Frequency Predivider

Clock input frequency division is accomplished by means of a frequency predivider of the input frequency. The programmable Division Factor ranges from 1 to 16.

### 6.2.2 Phase Detector and Charge Pump Loop Filter

The Phase Detector (PD) detects any phase difference between the external clock (EXTAL) and the phase of the clock generated by the frequency divider. At the point where there is negligible phase difference and the frequency of the two inputs is identical, the PLL is in the Locked state.



The charge pump loop filter receives signals from the PD and either increases or decreases the phase based on the PD signals. An external capacitor is connected to the PCAP input to determine low pass filter corner frequencies. The value of this capacitor depends on the Multiplication Factor (MF) of the PLL. See the Specifications section in the device-specific technical data sheet for the formula to determine the proper value for the PLL capacitor. After the PLL locks onto the proper phase and frequency, it reverts to the Narrow Bandwidth mode, which is useful for tracking small changes due to frequency drift of the EXTAL clock.

### 6.2.3 Voltage Controlled Oscillator (VCO)

The voltage controlled oscillator (VCO) operates at frequencies from 30 MHz to twice the maximum device operating frequency. The minimum frequency is required to ensure VCO stability. See **Table 2-6** in the device-specific *Technical Data* sheet for the maximum frequency for each device. Also refer to **Table 2-5** in the same *Technical Data* sheet for the external clock signal characteristics.

**Note:** When the PLL is enabled, the maximum device operating frequency is half the VCO frequency.

Because the reset value of all clock dividers and multiplier is 1, if EXTAL is less than 30 MHz, the VCO cannot operate correctly during reset and the PLL must be disabled. For such cases, the hardware design must hold the PINIT input low during reset to disable the PLL. After reset, the software can change the pre-divider (PD) and MF to the desired values (ensuring that the input to the VCO is not less than 30 MHz) and then set the PCTL[PEN] bit to enable the PLL.

**Note:** The DSP56321 DPLL clock circuit differs from the circuit used in the rest of the DSP56300 family. Its VCO operates differently from this description. Refer to **Section 5.5** in the *DSP56321 Reference Manual*.

#### 6.2.3.1 Divide by 2

As part of the PLL feedback loop, the output of the VCO is divided by 2. The resulting constant multiplication by 2 of the VCO/PLL output allows for the generation of the special internal clock phases required by the device.

#### 6.2.3.2 Frequency Divider

The Frequency Divider portion of the PLL feedback loop divides the VCO output by a programmable 12-bit value before entering the Phase Detector. The net result is a multiplication of the incoming external clock by the programmed value. This is called the *Multiplication Factor* and is programmed using the PCTL[MF] bits. The Multiplication Factor can range from 1 to 4096.

### 6.2.3.3 PLL Control Elements

The PLL uses three major control elements in its circuitry:

- Clock input division
- Frequency multiplication
- Skew elimination

#### 6.2.3.3.1 Clock Input Division

The PLL can divide the input frequency by any integer between 1 and 16. The combination of input division and output low-power division enables you to generate almost every frequency value out of the PLL (see **Section 6.2.3.4.3, Operating Frequency**, on page 6-6). The Division Factor can be modified by changing the value of the PCTL Predivider Factor (PDF) bits (PD[3–0]). The output frequency of the predivider is determined using the following formula:

$$\frac{F_{EXTAL}}{PDF}$$

#### 6.2.3.3.2 Frequency Multiplication

The PLL can multiply the input frequency by any integer between 1 and 4096. The Multiplication Factor can be modified by changing the value of the PCTL Multiplication Factor (MF[11–0]) bits. The output frequency of the PLL (that is, PLL Out as shown in **Figure 6-6-1** on page -1) is computed using the following formula:

$$\frac{F_{EXTAL} \times MF \times 2}{PDF}$$

#### 6.2.3.3.3 Skew Elimination

The phase skew of the PLL is defined as the time difference between the falling edges of EXTAL and CLKOUT for a given capacitive load on CLKOUT, over the entire process, temperature, and voltage ranges. The PLL can eliminate the skew between the external clock (EXTAL), the internal clock phases, and the CLKOUT signal, allowing tighter synchronous timings. Skew elimination is active only when the PLL is enabled and programmed with a Multiplication Factor less than or equal to 4. When the PLL is disabled, or when the Multiplication Factor is greater than 4, clock skew can exist. Skew elimination is assured only if EXTAL is greater than the minimum frequency specified in the device-specific technical data sheet (typically 15 MHz).

#### 6.2.3.4 Clock Generator

**Figure 6-3** shows the Clock Generator block diagram. The components of the Clock Generator are described in the following sections.

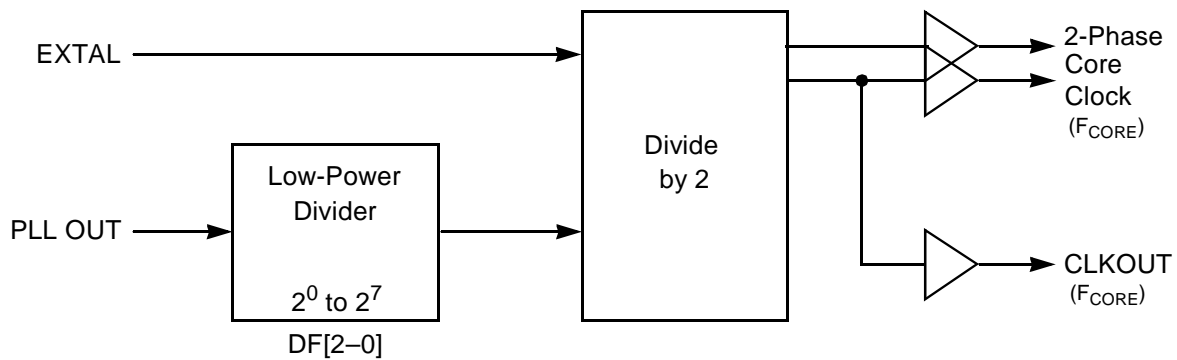


Figure 6-3. CLKGEN Block Diagram

#### 6.2.3.4.1 Low-Power Divider (LPD)

The Clock Generator has a divider connected to the output of the PLL. The Low-Power Divider (LPD) divides the output frequency of the VCO by any power of 2 from  $2^0$  to  $2^7$ . The Division Factor (DF) of the LPD can be modified by changing the value of the PLL Control Register (PCTL) Division Factor bits DF[2–0]. Since the LPD is not in the closed loop of the PLL, changes in the DF do not cause a loss of lock condition. The result is a significant power savings when the LPD operates in low-power consumption modes as the device is not involved in intensive calculations. When the device is required to exit a low-power mode, it can immediately do so with no time needed for clock recovery or PLL lock.

#### 6.2.3.4.2 Internal and External Clock Pulse Generator

The output stage of the Clock Generator generates the clock signals to the core and the device peripherals, and drives the CLKOUT pin. The output stage divides the frequency by two. The input source to the output stage is selected between:

- EXTAL (PEN = 0, PLL disabled), which generates a device frequency defined by the following formula:

$$\frac{F_{EXTAL}}{2}$$

- Low-Power Divider output (PEN = 1, PLL enabled), which generates a device frequency defined by the following formula:

$$\frac{F_{EXTAL} \times MF}{PDF \times DF}$$

### 6.2.3.4.3 Operating Frequency

When PEN = 1, the operating frequency of the core is governed by the frequency control bits in the PCTL Register according to the following formula:

$$F_{CORE} = \frac{F_{EXTAL} \times MF}{PDF \times DF}$$

- MF is the Multiplication Factor defined by MF[11–0]
- PDF is the Predivider Factor defined by PD[3–0]
- DF is the Division Factor defined by DF[2–0]
- F<sub>CORE</sub> is the device operating frequency
- F<sub>EXTAL</sub> is the external EXTAL input

## 6.3 PLL Programming Model

The PLL clock generator uses a single register, the PCTL Register. The PCTL is an X I/O mapped 24-bit read/write register used to direct the operation of the on-chip PLL.

Figure 6-4 shows the PCTL control bits.

<b>23</b>	<b>22</b>	<b>21</b>	<b>20</b>	<b>19</b>	<b>18</b>	<b>17</b>	<b>16</b>	<b>15</b>	<b>14</b>	<b>13</b>	<b>12</b>
PD3	PD2	PD1	PD0	COD	PEN	PSTP	XTLD	XTLR	DF2	DF1	DF0
<b>Reset:</b>											
a	a	a	a	0	b	0	a	a	0	0	0
<b>11</b>	<b>10</b>	<b>9</b>	<b>8</b>	<b>7</b>	<b>6</b>	<b>5</b>	<b>4</b>	<b>3</b>	<b>2</b>	<b>1</b>	<b>0</b>
MF11	MF10	MF9	MF8	MF7	MF6	MF5	MF4	MF3	MF2	MF1	MF0
<b>Reset:</b>											
a	a	a	a	a	a	a	a	a	a	a	a

a The reset value is implementation dependent and is listed in the device-specific user’s manual.  
 b The reset value of the PEN bit is based on the value of the PLL PINIT input.

**Figure 6-4.** PLL Control (PCTL) Register

Table 6-1. PLL Control (PCTL) Register Bit Definitions

Bit Number	Bit Name	Reset Value	Description	
23–20	PD[3–0]	a	<p><b>Predivider Factor</b> Define the PDF value that is applied to the input frequency. PDF can be any integer from 1 to 16. The VCO oscillates at a frequency defined by the following formula:</p> $\frac{F_{\text{EXTAL}} \times MF \times 2}{\text{PDF}}$ <p>PDF must be chosen to ensure that the resulting VCO output frequency lies in the range specified in the device-specific technical data sheet. Any time a new value is written into the PD[3–0] bits, the PLL loses the lock condition. After a time delay (zero to 1,000 clock cycles), the PLL relocks. The PDF bits (PD[3–0]) are set to a predetermined value during hardware reset. The reset value is implementation dependent and is listed in the device-specific user's manual.</p>	
			<b>PD[3–0]</b>	<b>PDF Value</b>
			0000	1
			0001	2
			0010	3
			0011	4
			0100	5
			0101	6
			0110	7
			0111	8
			1000	9
			1001	10
			1010	11
			1011	12
			1100	13
			1101	14
			1110	15
1111	16			
19	COD	0	<p><b>Clock Output Disable</b> Controls the output buffer of the clock at the CLKOUT pin. When COD is set, the CLKOUT output is pulled high. When COD is cleared, the CLKOUT pin provides a 50 percent duty cycle clock synchronized to the internal core clock. If CLKOUT is not connected to external circuits, set COD (disabling clock output) to minimize RFI noise and power dissipation. The CLKOUT pin oscillates during all operating states except Stop state and when COD = 1.</p>	

**Table 6-1. PLL Control (PCTL) Register Bit Definitions (Continued)**

Bit Number	Bit Name	Reset Value	Description					
18	PEN	b	<p><b>PLL Enable</b> Enables PLL operation. When PEN is set, the PLL is enabled and the internal clocks are derived from the PLL VCO output. When PEN is cleared, the PLL is disabled and the internal clocks are derived directly from the EXTAL signal. When the PLL is disabled, the VCO stops to minimize power consumption. The PEN bit may be set or cleared by software any time during the device operation. During hardware reset, this bit is set or cleared based on the value of the PLL PINIT input.</p>					
17	PSTP	0	<p><b>PLL Stop State</b> Controls PLL and on-chip crystal oscillator behavior during the Stop processing state. When PSTP is set, the PLL and the on-chip crystal oscillator remain operating when the chip is in the Stop state. When PSTP is cleared and the device enters the Stop state to support minimum power consumption, the PLL and the on-chip crystal oscillator are disabled, to further reduce power consumption; this however results in longer recovery time upon exit from the Stop state. To enable rapid recovery when exiting the Stop state (but at the cost of higher power consumption during the Stop state), PSTP should be set.</p> <p>NOTE: PSTP and PEN are related. When PSTP is set, and PEN is cleared, the on-chip crystal oscillator remains operating in the Stop state, but the PLL is disabled. This power saving feature enables rapid recovery from the Stop state when you operate the device with an on-chip oscillator and with the PLL disabled.</p>					
			<b>PSTP</b>	<b>PEN</b>	<b>Operation During Stop State</b>		<b>Recovery Time From Stop State</b>	<b>Power Consumption During Stop State</b>
					<b>PLL</b>	<b>Oscillator</b>		
			0	x	Disabled	Disabled	Long	Minimal
			1	0	Disabled	Enabled	Short	Lower
1	1	Enabled	Enabled	Short	Higher			
16	XTLD	a	<p><b>XTAL Disable</b> Controls the XTAL output from the crystal oscillator on-chip driver. When XTLD is cleared, the XTAL output pin is active, permitting normal operation of the crystal oscillator. When XTLD is set, the XTAL output pin is pulled high, disabling the on-chip oscillator driver. If the on-chip crystal oscillator driver is not used (that is, EXTAL is driven from an external clock source), set XTLD (disabling XTAL) to minimize RFI noise and power dissipation.</p> <p>NOTE: The XTLD bit is set to a predetermined value during hardware reset. The value is implementation dependent and may vary between different DSP56300-based devices.</p>					

Table 6-1. PLL Control (PCTL) Register Bit Definitions (Continued)

Bit Number	Bit Name	Reset Value	Description																		
15	XTLR	a	<p><b>Crystal Range</b> Controls the on-chip crystal oscillator transconductance. If the external crystal frequency is less than 200 kHz (that is, a 32 KHz clock crystal), set this bit to decrease the transconductance of the input amplifier. Otherwise, the internal clocks may not be stable. If the external crystal frequency is greater than 200 kHz, clear this bit in order to have full transconductance. Otherwise, the crystal oscillator may not function at all.</p> <p>NOTE: The XTLR bit is set to a predetermined value during hardware reset. The value is implementation dependent and may vary between different DSP56300-based devices.</p>																		
14–12	DF[2–0]	0	<p><b>Division Factor</b> Define the DF of the low-power divider. These bits specify the DF as a power of two in the range from <math>2^0</math> to <math>2^7</math>. Changing the value of the DF[2–0] bits does not cause a loss of lock condition. Whenever possible, changes of the operating frequency of the device (for example, to enter a low-power mode) should be made by changing the value of the DF[2–0] bits rather than changing the MF[11–0] bits.</p> <p>For <math>MF \leq 4</math>, changing DF[2–0] may lengthen the instruction cycle following the PLL control register update; this ensures synchronization between EXTAL and the internal device clock. For <math>MF &gt; 4</math> such synchronization is not ensured, and the instruction cycle is not lengthened.</p> <table border="1"> <thead> <tr> <th>DF[2–0]</th> <th>DF Value</th> </tr> </thead> <tbody> <tr> <td>000</td> <td><math>2^0</math></td> </tr> <tr> <td>001</td> <td><math>2^1</math></td> </tr> <tr> <td>010</td> <td><math>2^2</math></td> </tr> <tr> <td>011</td> <td><math>2^3</math></td> </tr> <tr> <td>100</td> <td><math>2^4</math></td> </tr> <tr> <td>101</td> <td><math>2^5</math></td> </tr> <tr> <td>110</td> <td><math>2^6</math></td> </tr> <tr> <td>111</td> <td><math>2^7</math></td> </tr> </tbody> </table>	DF[2–0]	DF Value	000	$2^0$	001	$2^1$	010	$2^2$	011	$2^3$	100	$2^4$	101	$2^5$	110	$2^6$	111	$2^7$
DF[2–0]	DF Value																				
000	$2^0$																				
001	$2^1$																				
010	$2^2$																				
011	$2^3$																				
100	$2^4$																				
101	$2^5$																				
110	$2^6$																				
111	$2^7$																				

**Table 6-1. PLL Control (PCTL) Register Bit Definitions (Continued)**

Bit Number	Bit Name	Reset Value	Description														
11–0	MF[11–0]	a	<p><b>Multiplication Factor</b>                      Defines the Multiplication Factor (MF) that is applied to the PLL input frequency. The MF can be any integer from 1 to 4096. The VCO oscillates at a frequency defined by the following formula where PDF is the Predivider Division Factor:</p> $\frac{F_{EXTAL} \times MF \times 2}{PDF}$ <p>The MF must be chosen to ensure that the resulting VCO output frequency is in the range specified in the device-specific technical data sheet. Any time a new value is written into the MF[11–0] bits, the PLL loses the lock condition. After a time delay (provided in the device-specific technical data sheet), the PLL relocks. The Multiplication Factor bits MF[11–0] are set to a predetermined value during hardware reset; the value is implementation dependent and is provided in the device-specific user's manual.</p> <table border="1" style="width: 100%; margin-top: 10px;"> <thead> <tr> <th>MF[11–0]</th> <th>Multiplication Factor MF</th> </tr> </thead> <tbody> <tr> <td>\$000</td> <td>1</td> </tr> <tr> <td>\$001</td> <td>2</td> </tr> <tr> <td>\$002</td> <td>3</td> </tr> <tr> <td style="text-align: center;">• • •</td> <td style="text-align: center;">• • •</td> </tr> <tr> <td>\$FFE</td> <td>4095</td> </tr> <tr> <td>\$FFF</td> <td>4096</td> </tr> </tbody> </table>	MF[11–0]	Multiplication Factor MF	\$000	1	\$001	2	\$002	3	• • •	• • •	\$FFE	4095	\$FFF	4096
MF[11–0]	Multiplication Factor MF																
\$000	1																
\$001	2																
\$002	3																
• • •	• • •																
\$FFE	4095																
\$FFF	4096																
a	The reset value is implementation dependent and is listed in the device-specific user's manual.																
b	The reset value of the PEN bit is based on the value of the PLL PINIT input																

## 6.4 Clock Synchronization

When the PLL is enabled, (the PEN bit in the PCTL register is set), low clock skew between EXTAL and CLKOUT is guaranteed if MF < 5. CLKOUT and the internal device clock are fully synchronized. See the device-specific technical data sheet for more information.

## 6.5 Design Guidelines for Ripple and PCAP

The voltage noise on the VCCP pin is critical to the PLL operation, since the PLL loop filter capacitor connects to it. The following recommendations for filtering the PLL power supply apply to all DSP56300 family devices.

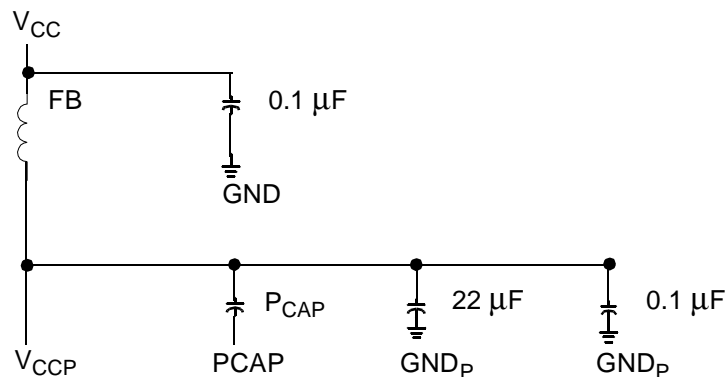
- The PLL power supply should be very well regulated and noise-free. Here are some recommendations for a Vcc noise filter for the PLL power supply:
  - The Wn (bandwidth) of the PLL is 2 MHz/(Multiplication Factor). The cutoff frequency of the Vcc filter should be less than Wn/100.



- The maximum allowed accumulated noise at frequencies from  $W_n/10$  to infinity is 6 mV. The maximum allowed accumulated noise at frequencies from 0 Hz to  $W_n/10$  is 30 mV.
- The filter should have as low as possible impedance for DC, in order to minimize voltage drop to the PLL power supplies.
- Take care to ensure that no more than 0.5 V voltage differential exists between the PLL power supply and the DSP power supplies at all times.
- When using a relatively high Multiplication Factor ( $MF \geq \sim 10$ ), you should use a PCAP capacitor that is polystyrene, polypropylene, or teflon. Such capacitors have a much lower dielectric absorption, which is needed for the PLL with a high MF, than ceramic capacitors

In the PLL filter circuit in **Figure 6-5**:

- Note that the 0.1  $\mu\text{F}$  capacitor should be in parallel with the 22  $\mu\text{F}$ , since the high frequency current needs for the PLL cannot be met with a regular 22  $\mu\text{F}$ . If high-frequency noise is not attenuated due to the lack of this capacitor, it will come through PCAP and cause jitter on the VCO. Beside that, the 12  $\Omega$  with 22  $\mu\text{F}$  gives  $F_c = 1/(2 \cdot 3.14 \cdot 12 \cdot 22 \mu) \sim 600$  Hz.
- $W_n = 2 \text{ MHz} / 8 = 125 \text{ kHz}$ , so the noise attenuation is expected to be about 50 dB near DC, meaning that up to about 1 V<sub>p-p</sub> high-frequency noise may occur before the filter. For 4 mA current consumption of the PLL, it means  $V_{\text{drop}} = 12 \cdot 4 \text{ mA} \approx 50 \text{ mV}$ , which is also acceptable.



- Notes:**
1. FB = Ferrite Bead with 600  $\Omega$  impedance at 100 MHz, 12  $\Omega$  at DC.
  2. PCAP value calculated according to datasheet.

**Figure 6-5.** PLL Filter Circuit



# Debugging Support

The DSP56300 modules and features for debugging applications during system development are as follows:

- *JTAG Test Access Port (TAP)*. Provides the TAP and Boundary Scan functionality based on the *IEEE Standard Test Access Port and Boundary-Scan Architecture (IEEE 1149.1)*, which can test a circuit board containing a DSP56300 family device including signal levels at the chip-to-board interface (that is, the boundary), but not the internal chip functions. The TAP also provides external access to the On-Chip Emulation (OnCE) module.
- *OnCE module*. Debugs software used with a DSP56300 family device and tests the hardware interface. The OnCE module has one dedicated external pin connection, the Debug Event ( $\overline{DE}$ ) pin. All other communication with the module occurs through the TAP pins.
- *Address Trace Mode*. This feature, enabled by the ATE bit in the Operating Mode Register (OMR), allows tracing of internal accesses by monitoring the external address lines (A[23–0] or A[17–0]).

The debugging interface uses six interface signals. As described in the IEEE 1149.1 standard, the JTAG TAP requires a minimum of four pins to support the TDI, TDO, TCK, and TMS signals. The DSP56300 family also provides a pin for the optional  $\overline{TRST}$  signal. The OnCE module uses one pin for the  $\overline{DE}$  signal. **Table 7-1** describes the signals.

**Table 7-1.** Debugging Control Signals

Name	Pin	Type	Module	Signal Description
Test Clock	TCK	Input	TAP	The external clock that synchronizes the test logic.
Test Mode Select	TMS	Input	TAP	Sequences the TAP controller state machine. TMS is sampled on the rising edge of TCK and has an internal pull-up resistor.
Test Data Input	TDI	Input	TAP	Receives serial test instruction and data, which is sampled on the rising edge of TCK and has an internal pull-up resistor. Register values are shifted in Least Significant Bit (LSB) first.
Test Data Output	TDO	Output	TAP	The serial output for test instructions and data. TDO is tri-stateable and is actively driven in the shift-IR and shift-DR controller states. TDO changes on the falling edge of TCK. Register values are shifted out LSB first.

**Table 7-1. Debugging Control Signals (Continued)**

Name	Pin	Type	Module	Signal Description
Test Reset	$\overline{\text{TRST}}$	Input	TAP	Initializes the test controller asynchronously. $\overline{\text{TRST}}$ has an internal pull-up resistor. To reset the TAP controller synchronously, use TCK to clock five consecutive 1s into TMS. To reset the remaining parts of the DSP core and the peripherals (or in some cases, such as the HI32, only the internal portion of a peripheral), use the RESET input signal.
Debug Event	$\overline{\text{DE}}$	Input or Output	OnCE	<p>An open-drain signal providing, as an input, a means of entering the Debug mode of operation from an external command controller, and, as an output, a means of acknowledging that the chip has entered the Debug mode. This signal, when asserted as an input, causes the DSP56300 core to finish executing the current instruction, save the instruction pipeline information, enter Debug mode, and wait for commands to be entered from the debug serial input line. This signal is asserted as an output for three clock cycles when the chip enters Debug mode as a result of a debug request or as a result of meeting a breakpoint condition. The <math>\overline{\text{DE}}</math> has an internal pull-up resistor.</p> <p>This is not a standard part of the JTAG Test Access Port (TAP) Controller. The signal connects directly to the OnCE module to initiate Debug mode directly or to provide a direct external indication that the chip has entered Debug mode. All other interaction with the OnCE module must occur through the JTAG port.</p>

## 7.1 JTAG Test Access Port

The DSP56300 core provides a dedicated user-accessible Test Access Port (TAP) based on the *IEEE Standard Test Access Port and Boundary-Scan Architecture (IEEE 1149.1)*. Problems of testing high density circuit boards led to development of this standard under the sponsorship of the Test Technology Committee of IEEE and the Joint Test Action Group (JTAG). The DSP56300 core implementation supports circuit-board test strategies based on this standard.

### 7.1.1 Boundary Scan Architecture Overview

The test logic includes a TAP consisting of four dedicated signal pins, a 16-state controller, and three test data registers. A Boundary Scan Register (BSR) links all device signal pins into a single shift register. The test logic, implemented with static logic design, is independent of the device system logic. The DSP56300 core has the following capabilities initiated by the associated JTAG commands (listed in parentheses):

- Perform boundary scan operations to test circuit-board electrical continuity (EXTEST)
- Bypass the DSP56300 core for a given circuit board test by effectively reducing the BSR to a single cell (BYPASS)
- Sample the DSP56300 core-based device system pins during operation and transparently shift out the result in the BSR; preload values to output pins prior to invoking the EXTEST instruction (SAMPLE/PRELOAD)
- Disable the output drive to pins during circuit-board testing (HI-Z)

- Access the OnCE controller and circuits to control a target system (ENABLE\_ONCE)
- Enter the Debug mode of operation (DEBUG\_REQUEST)
- Query identification information on manufacturer, part number, and version from a DSP56300 core-based device (IDCODE)
- Force test data onto the outputs of a DSP56300 core-based device while replacing its BSR in the serial data path with a single-bit register (CLAMP)

This section discusses aspects of the JTAG implementation that are specific to the DSP56300 core and is to be used with the supporting IEEE Std. 1149.1™ standards document. The discussion covers items the standard requires to be defined and includes additional information specific to the DSP56300 core implementation. **Figure 7-7-1** shows the block diagram of the DSP56300 core implementation of JTAG, which includes a 4-bit Instruction Register and three test registers: a 1-bit Bypass Register, a 32-bit Identification Register, and a Boundary Scan Register (BSR) whose size is chip-specific. This implementation includes a dedicated TAP and five pins.

### 7.1.2 TAP Controller

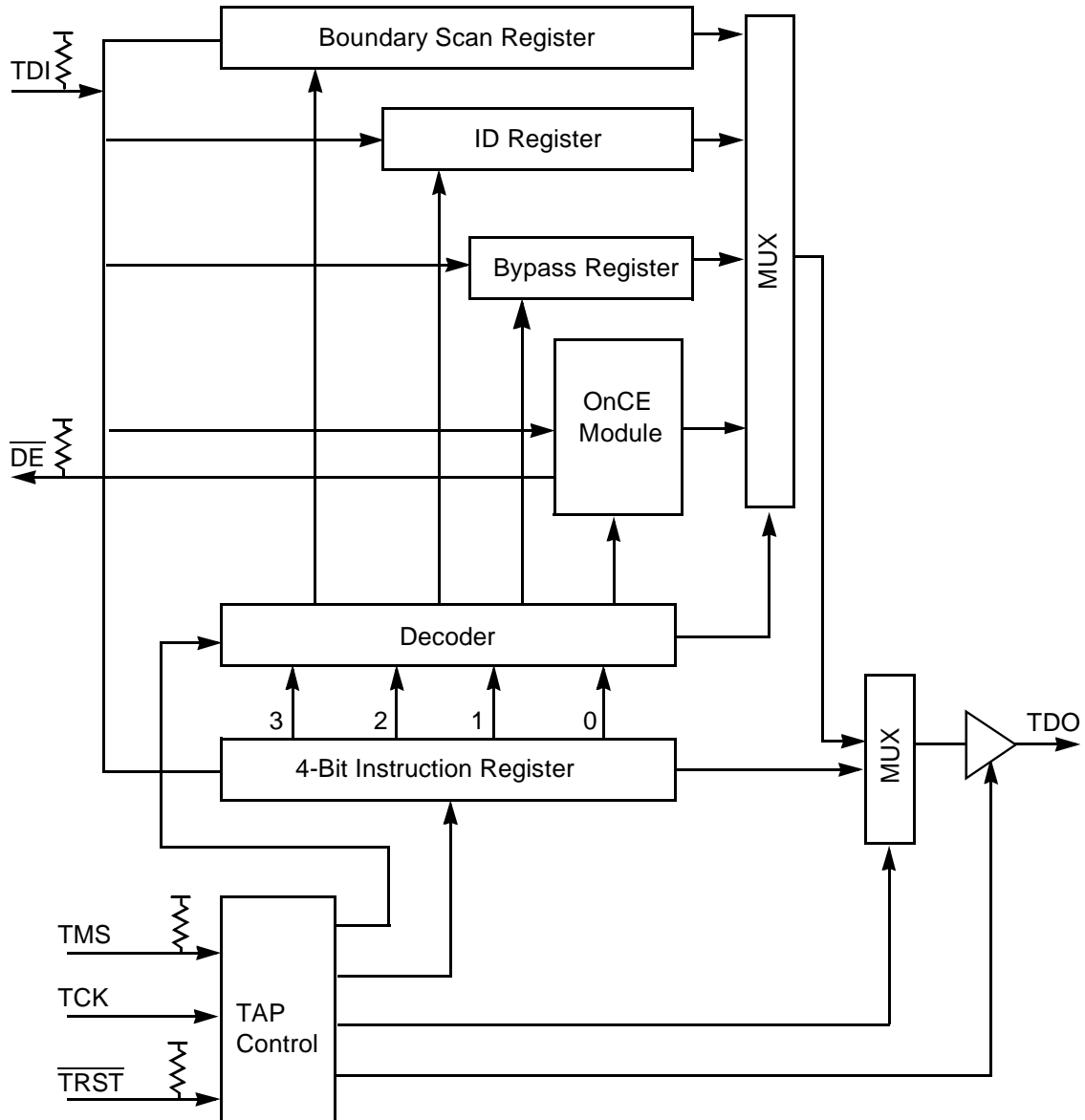
The TAP controller interprets the sequence of logical values on the TMS signal. It is a synchronous state machine that controls the operation of the JTAG logic. **Figure 7-7-2** shows the state machine. The value shown adjacent to each change-of-state arrow represents the value of the TMS signal sampled on the rising edge of the TCK signal. For a description of the TAP controller states, see the IEEE 1149.1 specification.

### 7.1.3 Boundary Scan Register

The Boundary Scan Register (BSR) in the DSP56300 core JTAG implementation contains bits for all device signal and clock pins and associated control signals. All bidirectional pins are controlled by an associated control bit in the BSR. The boundary scan bit definitions vary according to specific chip implementations. See the device-specific user's manual for a complete description of the BSR contents.

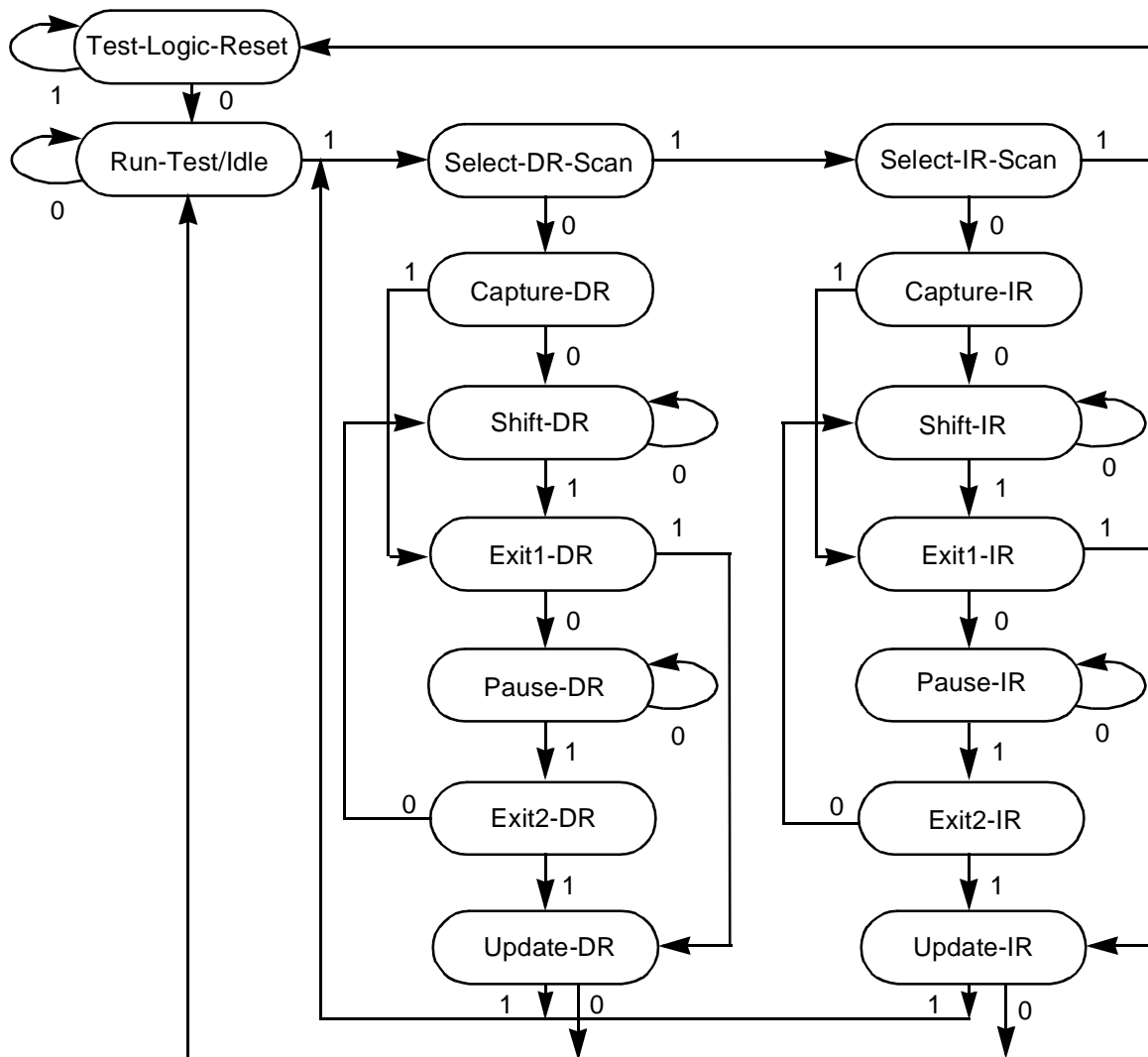
### 7.1.4 Instruction Register

The DSP56300 core JTAG implementation includes the three mandatory public instructions (EXTEST, SAMPLE/PRELOAD, and BYPASS) and supports the optional CLAMP instruction defined by IEEE 1149.1. The HI-Z public instruction can disable all device output drivers. The ENABLE\_ONCE public instruction enables the JTAG port to communicate with the OnCE circuitry. The DEBUG\_REQUEST public instruction enables the JTAG port to force the DSP56300 core into Debug mode. The DSP56300 core includes a 4-bit instruction register without parity consisting of a shift register with four parallel outputs. Data is transferred from the shift register to the parallel outputs during the Update-IR controller state. **Figure 7-3** shows the Instruction Register configuration.

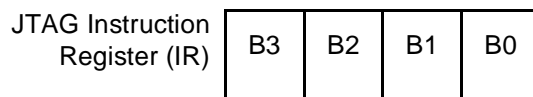


Note: All shown pull-up resistors are internal.

**Figure 7-1.** Test Access Port With OnCE Module Block Diagram



**Figure 7-2.** TAP Controller State Machine



**Figure 7-3.** JTAG Instruction Register Format

The four bits decode the eight instructions shown in **Table 8**. The 0101 code is reserved for future enhancements. All other encodings (1000–1110) are decoded as BYPASS.

**Table 7-8. JTAG Instructions**

Code				Instruction
B3	B2	B1	B0	
0	0	0	0	EXTEST
0	0	0	1	SAMPLE/PRELOAD
0	0	1	0	IDCODE
0	0	1	1	RESERVED
0	1	0	1	CLAMP
0	1	0	0	HI-Z
0	1	1	0	ENABLE_ONCE <sup>1</sup>
0	1	1	1	DEBUG_REQUEST <sup>1</sup>
1	x	x	x	BYPASS

**Notes:** 1. Notes:1. The ENABLE\_ONCE and DEBUG\_REQUEST public instructions are not part of the IEEE 1149.1 standard.  
2. 2. x = either 1 or 0.

The parallel output of the instruction register is reset to 0010 in the Test-Logic-Reset controller state, which is equivalent to the IDCODE instruction. During the Capture-IR controller state, the parallel inputs to the instruction shift register are loaded with 01 in the Least Significant Bits (LSBs) as required by the standard. The two Most Significant Bits (MSBs) are loaded with the values of the core status bits OS1 and OS0 from the OnCE controller.

#### 7.1.4.1 EXTEST (B[3–0] = 0000)

The external test (EXTEST) instruction selects the BSR. The EXTEST instruction also asserts internal reset for the DSP56300 core system logic to force a predictable internal state while performing external boundary scan operations. Using the TAP, the BSR can:

- Scan user-defined values into the output buffers
- Capture values presented to input pins
- Control the direction of bidirectional pins
- Control the output drive of tri-stateable output pins

For details on the function and use of EXTEST, refer to the IEEE 1149.1 standards document.

#### 7.1.4.2 SAMPLE/PRELOAD (B[3–0] = 0001)

The SAMPLE/PRELOAD instruction performs two separate functions. First, it obtains a snapshot of system data and control signals that occurs on the rising edge of TCK in the Capture-DR controller state. The data is observed by shifting it transparently through the BSR.



Since no internal synchronization exists between the JTAG clock (TCK) and the system clock (CLK), you must provide some form of external synchronization to achieve meaningful results. Secondly, SAMPLE/PRELOAD can initialize the BSR output cells prior to selection of EXTEST. This initialization ensures that known data appears on the outputs when the EXTEST instruction starts executing.

### 7.1.4.3 IDCODE (B[3–0] = 0010)

The IDCODE instruction selects the ID register. This public instruction allows identification of the manufacturer, part number, and version of a component through the TAP. **Figure 7-4** shows the ID register configuration.

31	28 27	22 21	17 16	12 11	1 0
Version Number	Manufacturer's Use	Sequence Number		Manufacturer Identity	IEEE 1149.1 Requirement
n n n n	Design Center Number 0 0 0 1 1 0	Core Number 0 0 0 0 0	Chip Derivative Number n n n n n	0 0 0 0 0 0 0 1 1 1 0	1

**Figure 7-4.** Identification Register Configuration

One application of the ID register is to distinguish the manufacturer(s) of components on a board when multiple sourcing is used. As more components that conform to the IEEE 1149.1 standard emerge, it is desirable for a system diagnostic controller unit to blindly interrogate a board design in order to determine the type of each component in each location. This information is also available for factory process monitoring and for failure mode analysis of assembled boards.

- Version Number      The major revision or mask set change of the device (for example, 0000 = Revision 0; 0001 = Revision A). This information is in the boundary-scan description language (BSDL) file for the device. The BSDL file for each device in the DSP56300 family is available for download from the web site listed on the back cover of this manual. Note that there are no revision changes for individual masks of a chip. Revision changes apply to groupings of masks (that is, mask sets). For example, for the DSP56301, a mask set of 0F92R and 1F92R has the revision number of \$1. A different mask set consisting of 0F48S, 1F48S, and 3F48S comprises Revision \$2.
- Manufacturer's Use      The Freescale Design Center Number (bits 27–22). The Freescale Semiconductor Israel Ltd (FIL) Design Center Number is 000110.
- Sequence Number      Divided into two parts: Core Number (bits 21–17) and Chip Derivative Number (bits 16–12). the DSP56300 core number is 00000.
- Manufacturer Identity      The Freescale Manufacturer Identity is 00000001110.

Once the IDCODE instruction is decoded, it selects the ID register, which is a 32-bit data register. The Bypass register loads a logic 0 at the start of a scan cycle, whereas the ID register loads a logic 1 into its LSB. Examination of the first bit of data shifted out of a component during a test data scan sequence immediately following exit from Test-Logic-Reset controller state shows whether such a register is included in the design. When the IDCODE instruction is selected, the operation of the test logic has no effect on the operation of the on-chip system logic as required by the IEEE 1149.1 standard.

#### 7.1.4.4 CLAMP (B[3–0] = 0011)

CLAMP is an optional instruction defined by the IEEE 1149.1 standard. It selects the 1-bit Bypass register as the serial path between TDI and TDO, while allowing signals driven from the component pins to be determined from the BSR. During testing of ICs on a PCB, it may be necessary to place static guarding values on signals that control operation of logic not involved in the test. The EXTEST instruction could be used for this purpose, but since it selects the BSR, the required guarding signals would be loaded as part of the complete serial data stream shifted in, both at the start of the test and each time a new test pattern is entered. Since the CLAMP instruction allows guarding values to be applied using the BSR of the appropriate ICs while selecting their Bypass registers, it allows much faster testing than EXTEST. Data in the boundary scan cell remains unchanged until a new instruction is shifted in or the JTAG state machine is set to its reset state. The CLAMP instruction also asserts internal reset for the DSP56300 core system logic to force a predictable internal state while performing external boundary scan operations.

#### 7.1.4.5 HI-Z (B[3–0] = 0100)

HI-Z is a manufacturer's optional public instruction to prevent the need to backdrive the output pins during circuit-board testing. When HI-Z is invoked, all output drivers, including the two-state drivers, are turned off (that is, high impedance). The instruction selects the Bypass register. HI-Z also asserts internal reset for the DSP56300 core system logic to force a predictable internal state while performing external boundary scan operations.

#### 7.1.4.6 ENABLE\_ONCE(B[3–0] = 0110)

ENABLE\_ONCE is not included in the IEEE 1149.1 standard. It is a public instruction that enables you to perform system debug functions. When ENABLE\_ONCE is decoded, the TDI and TDO pins connect directly to the OnCE registers. The particular OnCE register connected between TDI and TDO at a given time is selected by the OnCE controller, depending on the OnCE instruction currently executing. All communication with the OnCE controller occurs through the Select-DR-Scan path of the JTAG TAP Controller.

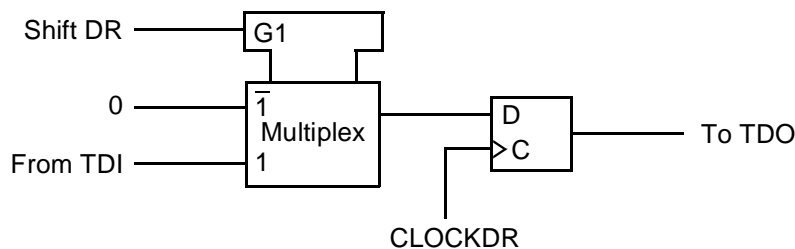
#### 7.1.4.7 DEBUG\_REQUEST(B[3–0] = 0111)

DEBUG\_REQUEST is not included in the IEEE 1149.1 standard. It is a public instruction that enables you to generate a debug request signal to the DSP56300 core. When DEBUG\_REQUEST is decoded, the TDI and TDO pins connect to the instruction registers. In the

Capture-IR state of the TAP, the OnCE status bits are captured in the Instruction shift register, so the external JTAG controller must continue to shift in the `DEBUG_REQUEST` while polling the status bits that are shifted out until the Debug mode of operation is entered (acknowledged by the combination 11 on `OS[1-0]`). After acknowledgment of Debug mode is received, the external JTAG controller must issue the `ENABLE_ONCE` instruction so you can perform system debug functions.

#### 7.1.4.8 BYPASS (B[3-0] = 1111)

`BYPASS` selects the single-bit Bypass register, as shown in **Figure 7-5**. This creates a shift-register path from TDI to the Bypass register, and finally to TDO, circumventing the BSR. This instruction enhances test efficiency when a component other than the DSP56300 core-based device becomes the device under test. When the current instruction selects the Bypass register, the shift-register stage is set to a logic 0 on the rising edge of `TCK` in the Capture-DR controller state. Therefore, the first bit shifted out after selection of the Bypass register is always a logic 0.



**Figure 7-5.** Bypass Register

#### 7.1.5 DSP56300 JTAG Restrictions

The control afforded by the output enable signals using the BSR and the `EXTTEST` instruction requires a compatible circuit-board test environment to avoid device-destructive configurations. You must avoid situations in which the DSP56300 core output drivers are enabled into actively driven networks. In addition, `EXTTEST` can execute only after power-up or regular hardware reset while `EXTAL` is provided. While `EXTTEST` executes, `EXTAL` can remain inactive.

Two constraints relate to the JTAG interface. First, the `TCK` input does not include an internal pull-up resistor and should not be left unconnected. The second constraint is to ensure that the JTAG test logic is kept transparent to the system logic by forcing the TAP into the Test-Logic-Reset controller state, using either of two methods. During power-up,  $\overline{\text{TRST}}$  must be externally asserted to force the TAP controller into this state. After power-up finishes, `TMS` must be sampled as a logic 1 for five consecutive `TCK` rising edges. If `TMS` either remains unconnected or is connected to  $V_{CC}$ , then the TAP controller cannot leave the Test-Logic-Reset state, regardless of the state of `TCK`. The DSP56300 core features a low-power Stop mode, which is invoked using the `STOP` instruction.

The interaction of the JTAG interface with low-power Stop mode is as follows:

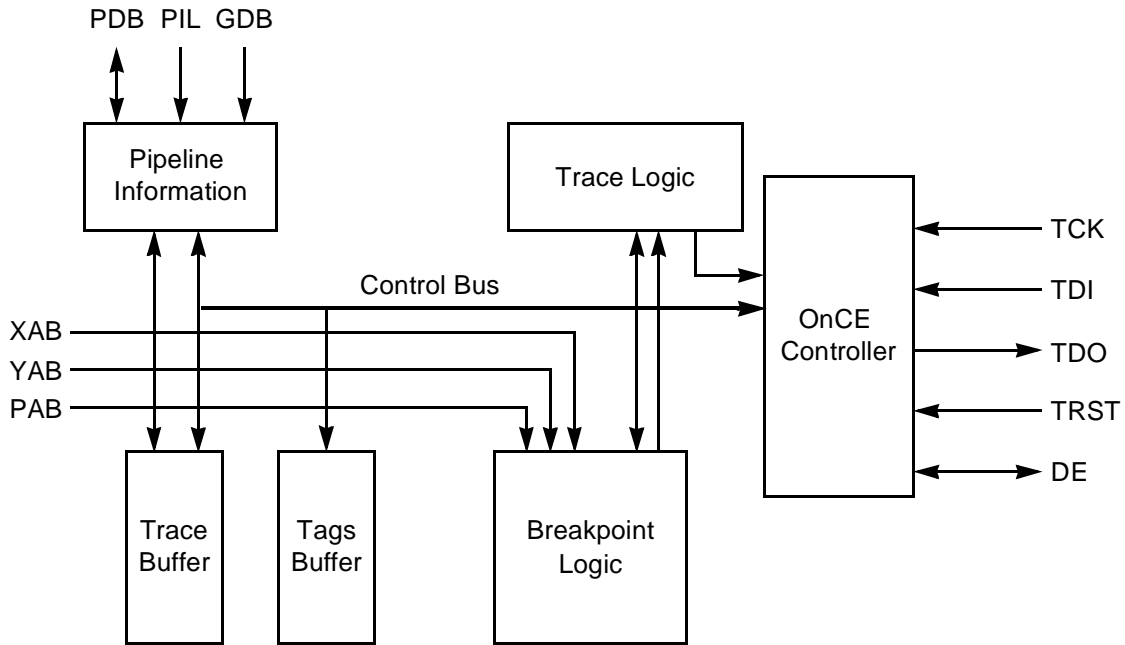
1. The TAP controller must be in the Test-Logic-Reset state to either enter or remain in the low-power Stop mode. Leaving the TAP controller Test-Logic-Reset state negates the ability to achieve low power, but does not otherwise affect device functionality.
2. The TCK input is not blocked in low-power Stop mode. To consume minimal power, the TCK input should be externally pulled to  $V_{CC}$  or GND.
3. The TMS and TDI pins include on-chip pull-up resistors. In low-power Stop mode, these two pins should remain either unconnected or connected to  $V_{CC}$  to achieve minimal power consumption.

During Stop mode all DSP56300 core clocks are disabled, so the JTAG interface provides the means for polling the device status (sampled in the Capture-IR state). For a DSP56300 derivative that does not include the  $\overline{DE}$  pin, the JTAG interface provides the `DEBUG_REQUEST` instruction for entering Debug mode.

## 7.2 OnCE Module

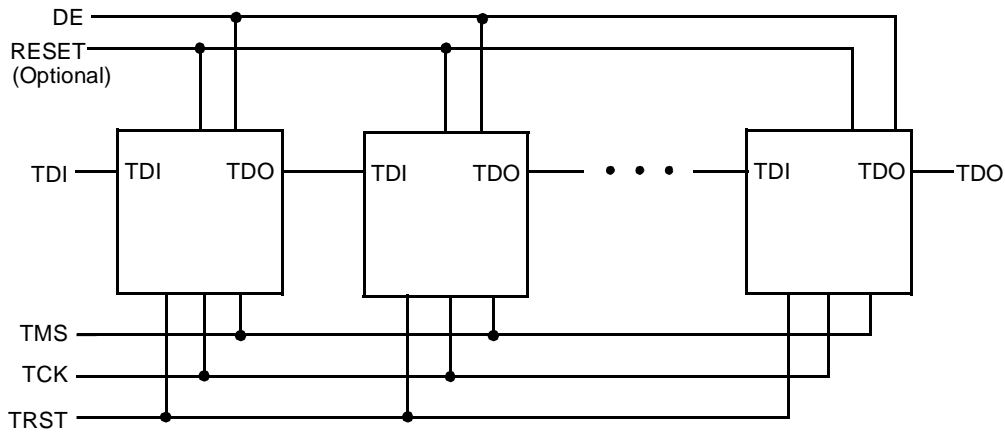
The DSP56300 core On-Chip Emulation (OnCE) module interacts with the DSP56300 core and its peripherals non-intrusively so that you can examine registers, memory, or on-chip peripherals, thus facilitating hardware and software development on the DSP56300 core processor. Special circuits and dedicated pins on the DSP56300 core are defined to avoid sacrificing any user-accessible on-chip resource.

The OnCE module controller functionality is accessed through the JTAG test access port (TAP). In addition to describing OnCE features and functionality, this section gives examples of debugging procedures using the OnCE module. The OnCE module resources can be accessed only after the JTAG `ENABLE_ONCE` executes instruction (these resources are accessible even when the chip operates in Normal mode). **Figure 7-8** shows the block diagram of the OnCE module.



**Figure 7-8.** OnCE Block Diagram

The OnCE module controller functionality is accessed through the JTAG port. The JTAG TCK, TDI, and TDO pins shift data and instructions in and out.



**Figure 7-9.** OnCE Multiprocessor Configuration

## 7.2.1 OnCE Controller

The OnCE Controller contains the following blocks: OnCE Command Register (OCR), OnCE Decoder, and the OnCE Status and Control Register (OSCR). **Figure 7-6** shows a block diagram of the OnCE controller.

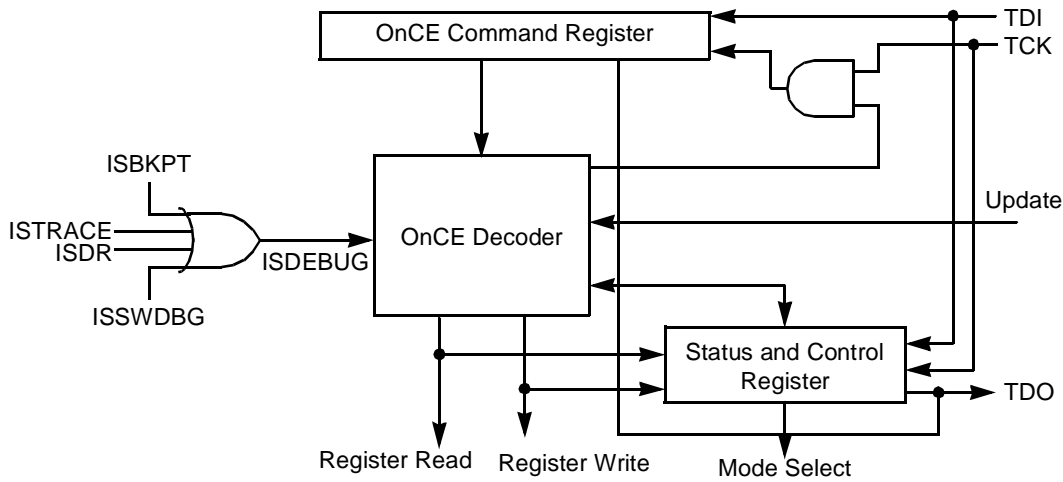


Figure 7-6. OnCE Controller

### 7.2.1.1 OnCE Command Register (OCR)

The OnCE Command Register (OCR) is a shift register that receives its serial data from the TDI pin. It holds the 8-bit commands to be used as input for the OnCE Decoder. The OCR is shown in Figure 7-7-7.

7	6	5	4	3	2	1	0
R/W	GO	EX	RS4	RS3	RS2	RS1	RS0

Reset: \$00

Figure 7-7. OnCE Command Register (OCR)

Table 7-1. OnCE Command Register (OCR) Bit Definitions

Bit Number	Bit Name	Description	
7	R/W	<b>Read/Write Command</b> Specifies the direction of the data transfer.	
		<b>R/W</b>	<b>Action</b>
		0	Write the data associated with the command into the register specified by RS[4–0].
		1	Read the data contained in the register specified by RS[4–0].
6	GO	<b>Go Command</b> If the GO bit is set, executes the instruction that resides in the OnCE PIL register. To execute the instruction, the core leaves Debug mode. The core returns to the Debug mode immediately after executing the instruction if the EX bit is cleared. The core continues normal operation if the EX bit is set. The GO command executes only if the operation is a write to the OnCE Program Data Bus Register (OPDBR) or a read/write to No Register Selected. Otherwise, the GO bit is ignored.	
5	EX	<b>Exit Command</b> If the EX bit is set, the core exits Debug mode and resumes normal operation. The EXIT command executes only if the GO command is issued, and the operation writes to OPDBR or reads/writes to No Register Selected. Otherwise, the EX bit is ignored.	

**Table 7-1. OnCE Command Register (OCR) Bit Definitions (Continued)**

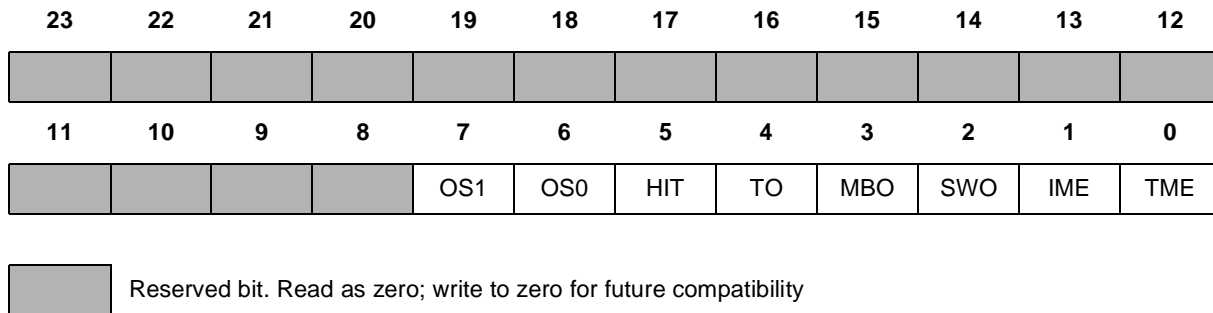
Bit Number	Bit Name	Description																																																				
4–0	RS	<b>Register Select</b> Defines which register is the source/destination for the read/write operation. Following is the OnCe Register Select Encoding:																																																				
		<table border="1"> <thead> <tr> <th>RS[4–0]</th> <th>Register Selected</th> </tr> </thead> <tbody> <tr> <td>00000</td> <td>OnCE Status and Control Register (OSCR)</td> </tr> <tr> <td>00001</td> <td>OnCE Memory Breakpoint Counter (OMBC)</td> </tr> <tr> <td>00010</td> <td>OnCE Breakpoint Control Register (OBCR)</td> </tr> <tr> <td>00011</td> <td>Reserved</td> </tr> <tr> <td>00100</td> <td>Reserved</td> </tr> <tr> <td>00101</td> <td>OnCE Memory Limit Register 0 (OMLR0)</td> </tr> <tr> <td>00110</td> <td>OnCE Memory Limit Register 1 (OMLR1)</td> </tr> <tr> <td>00111</td> <td>Reserved</td> </tr> <tr> <td>01000</td> <td>Reserved</td> </tr> <tr> <td>01001</td> <td>OnCE GDB Register (OGDBR)</td> </tr> <tr> <td>01010</td> <td>OnCE PDB Register (OPDBR)</td> </tr> <tr> <td>01011</td> <td>OnCE PIL Register (OPILR)</td> </tr> <tr> <td>01100</td> <td>PDB GO-TO Register (for GO TO command)</td> </tr> <tr> <td>01101</td> <td>OnCE Trace Counter (OTC)</td> </tr> <tr> <td>01110</td> <td>Reserved</td> </tr> <tr> <td>01111</td> <td>OnCE PAB Register for Fetch (OPABFR)</td> </tr> <tr> <td>10000</td> <td>OnCE PAB Register for Decode (OPABDR)</td> </tr> <tr> <td>10001</td> <td>OnCE PAB Register for Execute (OPABEX)</td> </tr> <tr> <td>10010</td> <td>Trace Buffer and Increment Pointer</td> </tr> <tr> <td>10011</td> <td>Reserved</td> </tr> <tr> <td>101xx</td> <td>Reserved</td> </tr> <tr> <td>11xx0</td> <td>Reserved</td> </tr> <tr> <td>11x0x</td> <td>Reserved</td> </tr> <tr> <td>110xx</td> <td>Reserved</td> </tr> <tr> <td>11111</td> <td>No Register Selected</td> </tr> </tbody> </table>	RS[4–0]	Register Selected	00000	OnCE Status and Control Register (OSCR)	00001	OnCE Memory Breakpoint Counter (OMBC)	00010	OnCE Breakpoint Control Register (OBCR)	00011	Reserved	00100	Reserved	00101	OnCE Memory Limit Register 0 (OMLR0)	00110	OnCE Memory Limit Register 1 (OMLR1)	00111	Reserved	01000	Reserved	01001	OnCE GDB Register (OGDBR)	01010	OnCE PDB Register (OPDBR)	01011	OnCE PIL Register (OPILR)	01100	PDB GO-TO Register (for GO TO command)	01101	OnCE Trace Counter (OTC)	01110	Reserved	01111	OnCE PAB Register for Fetch (OPABFR)	10000	OnCE PAB Register for Decode (OPABDR)	10001	OnCE PAB Register for Execute (OPABEX)	10010	Trace Buffer and Increment Pointer	10011	Reserved	101xx	Reserved	11xx0	Reserved	11x0x	Reserved	110xx	Reserved	11111	No Register Selected
		RS[4–0]	Register Selected																																																			
		00000	OnCE Status and Control Register (OSCR)																																																			
		00001	OnCE Memory Breakpoint Counter (OMBC)																																																			
		00010	OnCE Breakpoint Control Register (OBCR)																																																			
		00011	Reserved																																																			
		00100	Reserved																																																			
		00101	OnCE Memory Limit Register 0 (OMLR0)																																																			
		00110	OnCE Memory Limit Register 1 (OMLR1)																																																			
		00111	Reserved																																																			
		01000	Reserved																																																			
		01001	OnCE GDB Register (OGDBR)																																																			
		01010	OnCE PDB Register (OPDBR)																																																			
		01011	OnCE PIL Register (OPILR)																																																			
		01100	PDB GO-TO Register (for GO TO command)																																																			
		01101	OnCE Trace Counter (OTC)																																																			
		01110	Reserved																																																			
		01111	OnCE PAB Register for Fetch (OPABFR)																																																			
		10000	OnCE PAB Register for Decode (OPABDR)																																																			
		10001	OnCE PAB Register for Execute (OPABEX)																																																			
		10010	Trace Buffer and Increment Pointer																																																			
		10011	Reserved																																																			
		101xx	Reserved																																																			
		11xx0	Reserved																																																			
		11x0x	Reserved																																																			
		110xx	Reserved																																																			
11111	No Register Selected																																																					

### 7.2.1.2 OnCE Decoder (ODEC)

The OnCE Decoder (ODEC) supervises the entire OnCE module activity. It receives as input the 8-bit command from the OCR, a signal from the JTAG Controller (indicating that 8/24 bits have been received and that the selected data register must be updated), and a signal indicating that the core halted. The ODEC generates all the strobes required for reading and writing the selected OnCE registers.

### 7.2.1.3 OnCE Status and Control Register (OSCR)

The OnCE Status and Control Register (OSCR) enables the Trace mode of operation and indicates the reason for entering Debug mode. The control bits are read/write, and the status bits are read-only. The OSCR bits are cleared by hardware reset. The OSCR is shown in **Figure 7-8**. See **Table 8** for OSCR bit definitions.



**Figure 7-8.** OnCE Status and Control Register (OSCR)

**Table 7-8.** OnCE Status and Control Register (OSCR) Bit Definitions

Bit Number	Bit Name	Reset Value	Description		
23–8		0	Reserved. Write to zero for future compatibility.		
7–6	OS	0	<b>Core Status</b> Read-only status bits that provide core status information. Examining the status bits, you can determine whether the chip has entered Debug mode. To find the reason for entering Debug mode, consult the OSCR SWO, MBO, and TO bits. You can also examine these bits to determine why the chip has not entered the Debug mode after debug event assertion ( $\overline{DE}$ ) or execution of the JTAG Debug Request instruction (core waiting for the bus, STOP or WAIT instruction, and so on). The OS bits are also reflected in the JTAG instruction shift register, which allows the polling of the core status information at the JTAG level so that you can read the OSCR after the DSP56300 core executes the STOP instruction (and therefore there are no clocks).		
			<b>OS1</b>	<b>OS0</b>	<b>Description</b>
			0	0	DSP56300 core is executing instructions
			0	1	DSP56300 core is in Wait or Stop mode
			1	0	DSP56300 core is waiting for bus
1	1	DSP56300 core is in Debug mode			

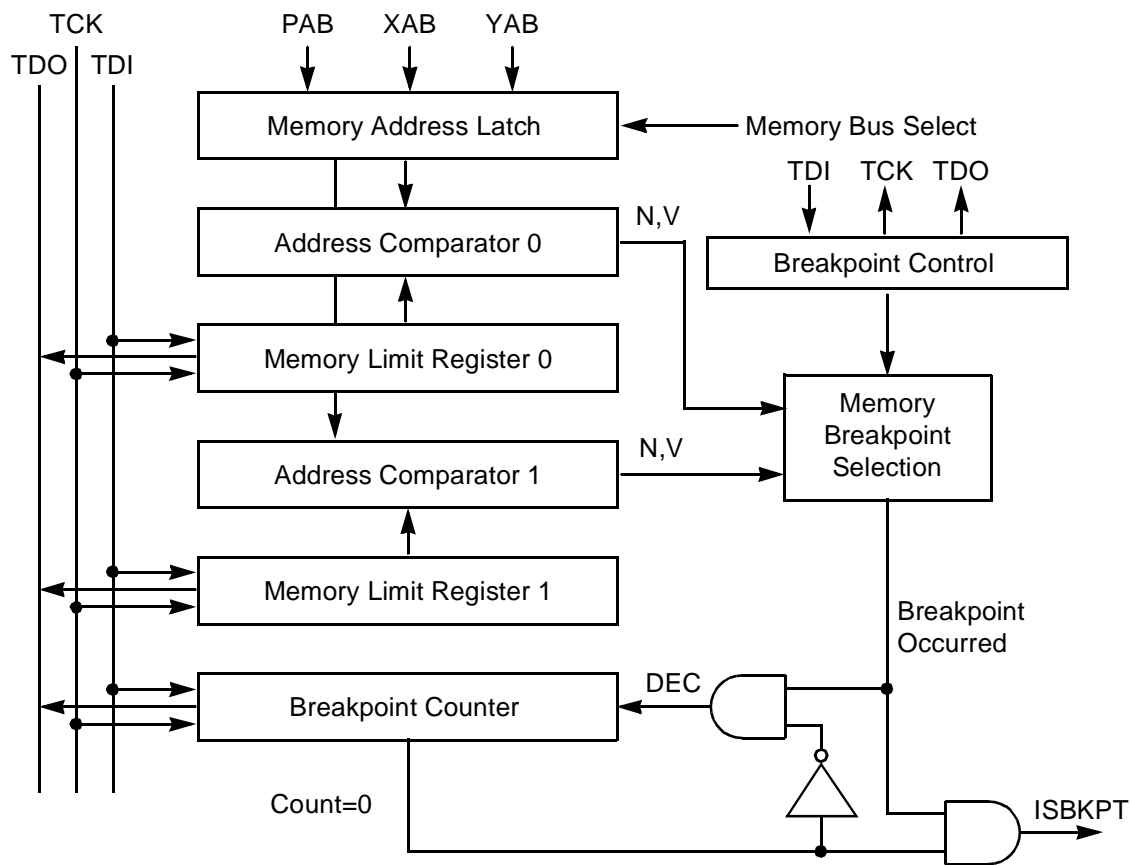


**Table 7-8.** OnCE Status and Control Register (OSCR) Bit Definitions (Continued)

Bit Number	Bit Name	Reset Value	Description
5	HIT	0	<b>Cache Hit</b> A read-only status bit that is set when a cache hit occurs in Cache mode in the Debug mode of operation. In PRAM mode, this bit reads as one.
4	TO	0	<b>Trace Occurrence</b> A read-only status bit that is set when all the following occur: <ul style="list-style-type: none"> <li>■ Trace Counter = 0</li> <li>■ Trace mode is enabled</li> <li>■ Debug mode of operation is entered</li> </ul> This bit is cleared when the DSP leaves Debug mode.
3	MBO	0	<b>Memory Breakpoint Occurrence</b> A read-only status bit that is set when the DSP enters Debug mode because a memory breakpoint has been encountered. This bit is cleared when the DSP leaves Debug mode.
2	SWO	0	<b>Software Debug Occurrence</b> A read-only status bit that is set when the DSP enters Debug mode because of the execution of the DEBUG or DEBUGcc instruction with condition true. This bit is cleared when the DSP leaves Debug mode.
1	IME	0	<b>Interrupt Mode Enable</b> When this control bit is set, the chip executes a vectored interrupt to the address VBA:\$06 instead of entering Debug mode.
0	TME	0	<b>Trace Mode Enable</b> When set, this control bit enables Trace mode.

## 7.2.2 OnCE Memory Breakpoint Logic

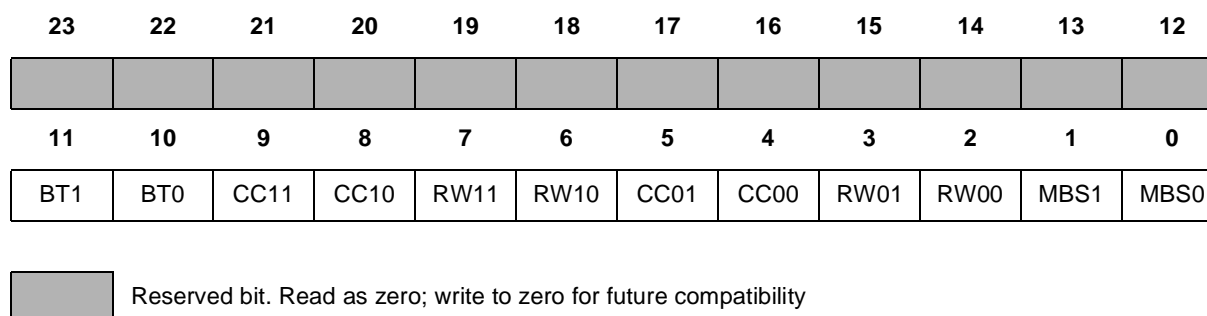
Memory breakpoints can be set on program memory or data memory locations. In addition, the breakpoint does not have to be in a specific memory address, but within an approximate address range of where the program may be executing. This significantly increases your ability to monitor what the program is doing in real-time. The breakpoint logic, shown in **Figure 7-9**, contains a latch for the addresses, registers that store the upper and lower address limit, address comparators, and a breakpoint counter. Address comparators are useful in determining where a program may be getting lost or when data is written where it should not be written. They are also useful in halting a program at a specific point to examine/change registers or memory. Using address comparators to set breakpoints enables you to set breakpoints in RAM or ROM in any operating mode. Memory accesses are monitored according to the contents of the OBCR depicted in **Figure 7-9**.



**Figure 7-9.** OnCE Memory Breakpoint Logic 0

See **Table 9** for OBCR bit definitions.

- *OnCE Memory Address Latch (OMAL)*. A 24-bit register that latches the PAB, XAB or YAB on every instruction cycle according to the MBS[1–0] bits in the OBCR.
- *OnCE Memory Limit Register 0 (OMLR0)*. A 24-bit register that stores the memory breakpoint limit. OMLR0 can be read or written through the JTAG port. Before enabling breakpoints, OMLR0 must be loaded by the external command controller.
- *OnCE Memory Address Comparator 0 (OMAC0)*. Compares the current memory address (stored in OMAL) with the OMLR0 contents.
- *OnCE Memory Limit Register 1 (OMLR1)*. A 24-bit register that stores the memory breakpoint limit. OMLR1 can be read or written through the JTAG port. Before enabling breakpoints, OMLR1 must be loaded by the external command controller.
- *OnCE Memory Address Comparator 1 (OMAC1)*. Compares the current memory address (stored in OMAL) with the OMLR1 contents.
- *OnCE Breakpoint Control Register (OBCR)*. Defines the memory breakpoint events. The OBCR can be read or written through the JTAG port. All OBCR bits are cleared on hardware reset.



**Figure 7-10.** OnCE Breakpoint Control Register (OBCR)

**Table 7-9.** OnCE Breakpoint Control Register (OBCR) Bit Definitions

Bit Number	Bit Name	Reset Value	Description										
23–12		0	Reserved. Write to zero for future compatibility.										
11–10	BT	0	<b>Breakpoint Event Bits</b> Define the sequence between breakpoints 0 and 1. If the condition defined by BT[1–0] is met, then the Breakpoint Counter (OMBC) is decremented.										
			<table border="1" style="width: 100%; border-collapse: collapse;"> <thead> <tr> <th style="text-align: center;">BT[1–0]</th><th style="text-align: center;">Description</th></tr> </thead> <tbody> <tr> <td style="text-align: center;">00</td><td>Breakpoint 0 and Breakpoint 1</td></tr> <tr> <td style="text-align: center;">01</td><td>Breakpoint 0 or Breakpoint 1</td></tr> <tr> <td style="text-align: center;">10</td><td>Breakpoint 1 after Breakpoint 0</td></tr> <tr> <td style="text-align: center;">11</td><td>Breakpoint 0 after Breakpoint 1</td></tr> </tbody> </table>	BT[1–0]	Description	00	Breakpoint 0 and Breakpoint 1	01	Breakpoint 0 or Breakpoint 1	10	Breakpoint 1 after Breakpoint 0	11	Breakpoint 0 after Breakpoint 1
BT[1–0]	Description												
00	Breakpoint 0 and Breakpoint 1												
01	Breakpoint 0 or Breakpoint 1												
10	Breakpoint 1 after Breakpoint 0												
11	Breakpoint 0 after Breakpoint 1												
9–8	CC1	0	<b>Breakpoint 1 Condition Code</b> Define the condition of the comparison between the current memory address (OMAL) and the OnCE Memory Limit Register 1 (OMLR1).										
			<table border="1" style="width: 100%; border-collapse: collapse;"> <thead> <tr> <th style="text-align: center;">CC1[1–0]</th><th style="text-align: center;">Description</th></tr> </thead> <tbody> <tr> <td style="text-align: center;">00</td><td>Breakpoint on not equal</td></tr> <tr> <td style="text-align: center;">01</td><td>Breakpoint on equal</td></tr> <tr> <td style="text-align: center;">10</td><td>Breakpoint on less than</td></tr> <tr> <td style="text-align: center;">11</td><td>Breakpoint on greater than</td></tr> </tbody> </table>	CC1[1–0]	Description	00	Breakpoint on not equal	01	Breakpoint on equal	10	Breakpoint on less than	11	Breakpoint on greater than
CC1[1–0]	Description												
00	Breakpoint on not equal												
01	Breakpoint on equal												
10	Breakpoint on less than												
11	Breakpoint on greater than												
7–6	RW1	0	<b>Breakpoint 1 Read/Write</b> Define memory breakpoint 1 to occur when a memory address access is performed for read, write or both.										
			<table border="1" style="width: 100%; border-collapse: collapse;"> <thead> <tr> <th style="text-align: center;">RW1[1–0]</th><th style="text-align: center;">Description</th></tr> </thead> <tbody> <tr> <td style="text-align: center;">00</td><td>Breakpoint disabled</td></tr> <tr> <td style="text-align: center;">01</td><td>Breakpoint on write access</td></tr> <tr> <td style="text-align: center;">10</td><td>Breakpoint on read access</td></tr> <tr> <td style="text-align: center;">11</td><td>Breakpoint read or write access</td></tr> </tbody> </table>	RW1[1–0]	Description	00	Breakpoint disabled	01	Breakpoint on write access	10	Breakpoint on read access	11	Breakpoint read or write access
RW1[1–0]	Description												
00	Breakpoint disabled												
01	Breakpoint on write access												
10	Breakpoint on read access												
11	Breakpoint read or write access												

**Table 7-9.** OnCE Breakpoint Control Register (OBCR) Bit Definitions (Continued)

Bit Number	Bit Name	Reset Value	Description	
5–4	CC0	0	<b>Breakpoint 0 Condition Code</b> Define the condition of the comparison between the current Memory Address (OMAL) and the Memory Limit Register 0 (OMLR0).	
			<b>CC0[1–0]</b>	<b>Description</b>
			00	Breakpoint on not equal
			01	Breakpoint on equal
			10	Breakpoint on less than
3–2	RW0	0	<b>Breakpoint 0 Read/Write</b> Define the memory breakpoint 0 to occur when a memory address access is performed for read, write, or both.	
			<b>RW0[1–0]</b>	<b>Description</b>
			00	Breakpoint disabled
			01	Breakpoint on write access
			10	Breakpoint on read access
1–0	MBS	0	<b>Memory Breakpoint</b> Enable memory breakpoints 0 and 1, allowing them to occur when a memory access is performed on P, X, or Y memory.	
			<b>MBS[1–0]</b>	<b>Description</b>
			00	Reserved
			01	Breakpoint on P access
			10	Breakpoint on X access
			11	Breakpoint on Y access

### 7.2.2.1 OnCE Memory Breakpoint Counter (OMBC)

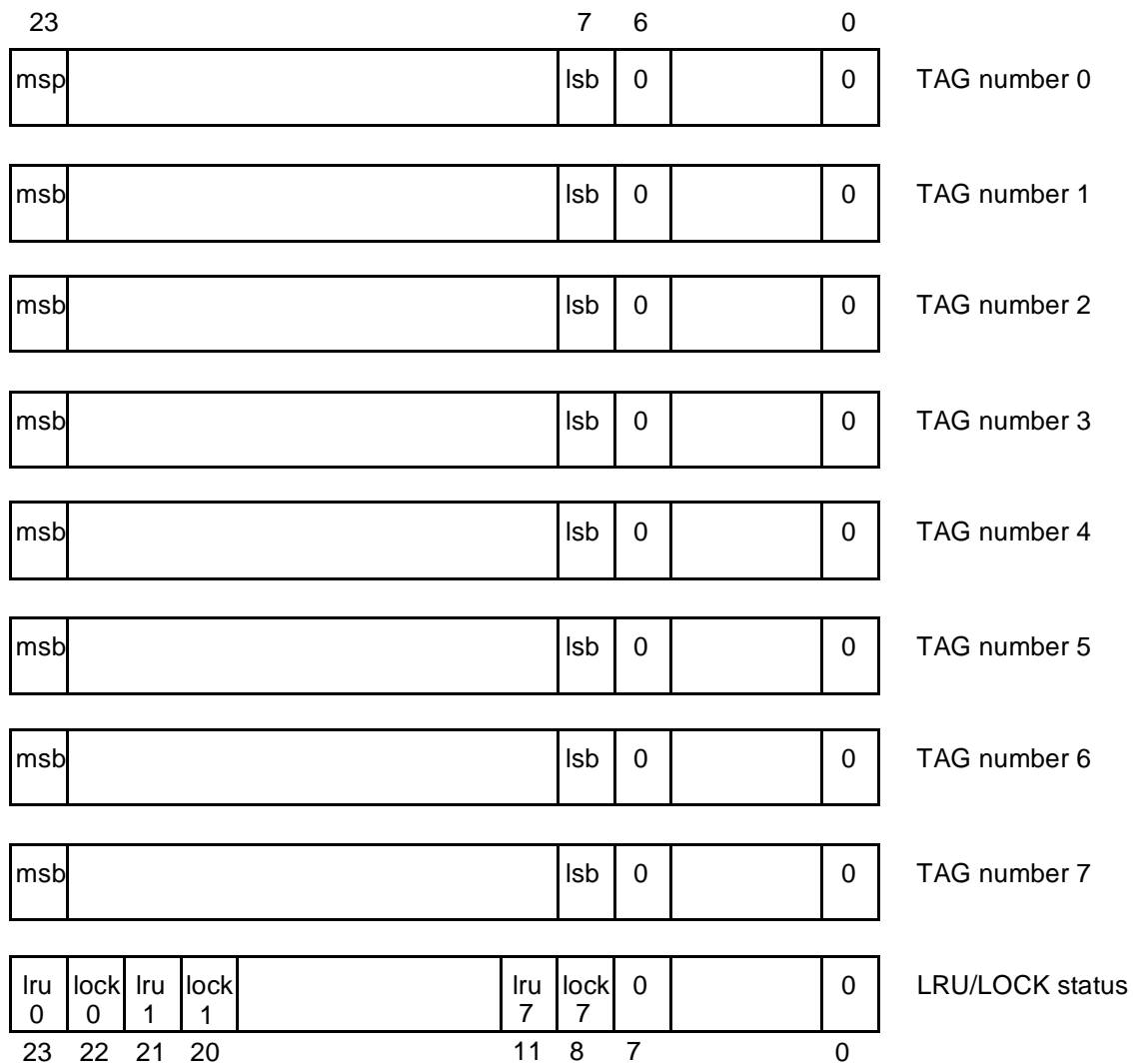
The OnCE Memory Breakpoint Counter is a 24-bit counter that is loaded with a value equal to the number of times minus one that a memory access event should occur before a memory breakpoint is declared. The memory access event is specified by the OBCR and by the memory limit registers. On each occurrence of the memory access event, the breakpoint counter decrements. When the counter reaches 0 and a new event occurs, the chip enters Debug mode. The OMBC can be read or written through the JTAG port. Each time the limit register changes or a different breakpoint event is selected in the OBCR, the breakpoint counter must be written afterwards. This ensures that the OnCE breakpoint logic is reset and that no previous events can affect the new breakpoint event selected. The breakpoint counter is cleared by hardware reset.

### 7.2.3 Cache Support

To keep track of the cache contents and status, the eight Tag values, Tag lock/unlock status, and LRU status can be read via the OnCE module. Nine 24-bit registers are implemented as a circular

buffer with a 4-bit counter. All registers have the same address, but any access to the Tag buffer increments the counter, thus pointing to the next register in the circular buffer. When Debug mode is exited, the counter is cleared, so when Debug mode is re-entered, the first read from the Tag buffer address always starts from the first register of the nine (Tag number 0) and circles continuously among these nine registers. The register mapping in the circular Tag buffer is shown in **Figure 7-11**.

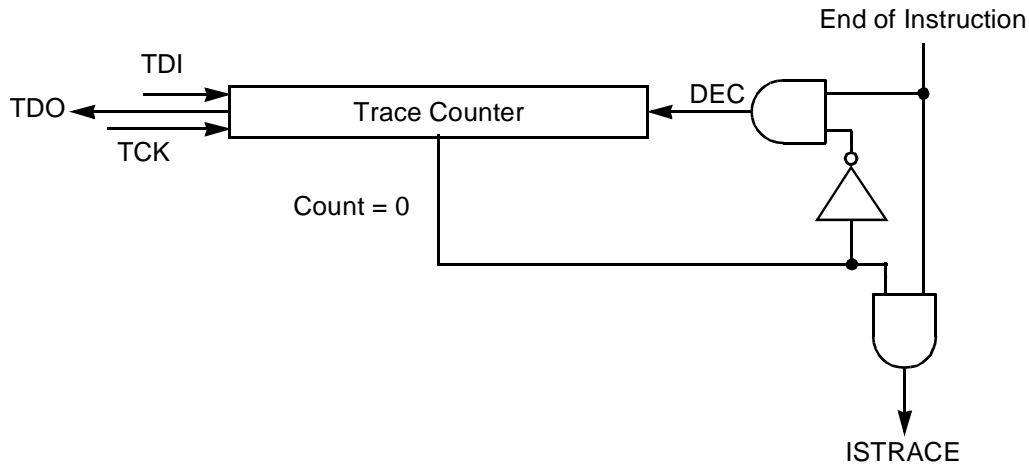
At any time, at least one LRU bit in the LRU/Lock Status Register is set, but multiple LRU bits can be set at the same time because locked sectors can be the Least Recently Used sector even though they cannot be replaced. Therefore, the next sector to be replaced is the only sector whose LRU bit is set and whose lock bit is cleared. The one exception to this rule occurs when all eight sectors are locked and LRU, in which case there is no next sector to be replaced, because no sector can be replaced until at least one sector is unlocked.



**Figure 7-11.** Circular Tags Buffer (TAGB)

### 7.2.3.1 OnCE Trace Logic

The 24-bit OnCE Trace Counter (OTC) can be read or written through the JTAG port. If  $N$  instructions are to be executed before Debug mode is entered, the Trace Counter should be loaded with  $N - 1$ . The Trace Counter is cleared by hardware reset. When the OnCE Trace Logic is used, instructions can execute in single or multiple steps. The OnCE Trace Logic causes the chip to enter Debug mode after one or more instructions execute and to wait for OnCE commands from the debug serial port. The OnCE Trace Logic block diagram is shown in **Figure 7-12**.



**Figure 7-12.** OnCE Trace Logic Block Diagram

Trace mode has an associated counter so that more than one instruction can be executed before returning to Debug mode. The counter allows you to take multiple real-time instruction steps before entering Debug mode. This feature helps you to debug sections of code that do not have a normal flow or are hanging up in infinite loops. The Trace Counter also enables you to count the number of instructions executed in a code segment.

To enable Trace mode, the counter is loaded with a value, the program counter is set to the start location of the instruction(s) to be executed real-time, the TME bit is set in the OSCR and the DSP56300 core exits Debug mode by executing the appropriate command issued by the external command controller.

When Debug mode is exited, the counter decrements after each execution of an instruction. Interrupts are serviceable and all instructions executed—including fast interrupt services and repeated instructions—decrement the Trace Counter. When it decrements to 0, the DSP56300 core re-enters Debug mode, the Trace Occurrence bit (TO) in the OSCR is set, the Core Status bits OS[1–0] are set to 11, and the  $\overline{DE}$  pin (if provided) is asserted to indicate that the DSP56300 core has entered Debug mode and is requesting service.

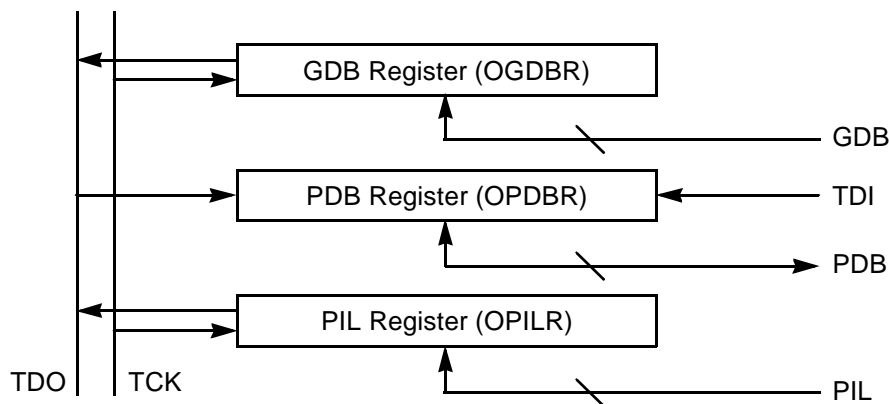
## 7.2.4 Methods of Entering Debug Mode

The chip acknowledges entering Debug mode by setting the Core Status bits OS1 and OS0 and asserting the  $\overline{DE}$  line. This informs the external command controller that the chip is in Debug mode and awaiting commands. The DSP56300 core can disable the OnCE module if the ROM Security option is implemented. If the ROM Security is implemented, the OnCE module remains inactive until the DSP56300 core executes a write operation to the OGDBR. Following is a list of ways to enter Debug mode:

- *External Debug Request During  $\overline{RESET}$  Assertion.* Holding the  $\overline{DE}$  line asserted during the assertion of  $\overline{RESET}$  causes the chip to enter the Debug mode. After receiving the acknowledge, the external command controller must negate the  $\overline{DE}$  line before sending the first command. In this case, the chip does not execute any instruction before entering the Debug mode.
- *External Debug Request During Normal Activity.* Holding the  $\overline{DE}$  line asserted during normal chip activity causes the chip to finish executing the current instruction and then enter Debug mode. After receiving the acknowledge, the external command controller must negate the  $\overline{DE}$  line before sending the first command. This process is the same for any newly fetched instruction, including instructions fetched by the interrupt processing or instructions that are aborted by the interrupt processing. In this case the chip finishes executing the current instruction and stops after the newly fetched instruction enters the instruction latch.
- *Executing the JTAG `DEBUG_REQUEST` Instruction.* Executing the JTAG instruction `DEBUG_REQUEST` asserts an internal debug request signal. The chip finishes executing the current instruction and stops after the newly fetched instruction enters the instruction latch. After entering the Debug mode, the Core Status bits OS1 and OS0 are set and the  $\overline{DE}$  line is asserted, thus acknowledging the external command controller that the Debug mode of operation has been entered.
- *External Debug Request During Stop.* Executing the JTAG instruction `DEBUG_REQUEST` (or asserting  $\overline{DE}$ ) while the chip is in Stop state (that is, has executed a `STOP` instruction) causes the chip to exit the Stop state and enter Debug mode. After receiving the acknowledge, the external command controller must negate  $\overline{DE}$  before sending the first command. In this case, the chip finishes executing the `STOP` instruction and halts after the next instruction enters the instruction latch.
- *External Debug Request During Wait.* Executing the JTAG instruction `DEBUG_REQUEST` (or asserting  $\overline{DE}$ ) while the chip is in the Wait state (that is, has executed a `WAIT` instruction) causes the chip to exit the Wait state and enter Debug mode. After receiving the acknowledge, the external command controller must negate  $\overline{DE}$  before sending the first command. In this case, the chip completes the execution of the `WAIT` instruction and halts after the next instruction enters the instruction latch.

- *Software Request During Normal Activity.* Upon executing the DSP56300 core instruction DEBUG (or DEBUGcc when the specified condition is true), the chip enters Debug mode after the instruction following the DEBUG instruction enters the instruction latch.
- *Enabling Trace Mode.* When the Trace mode mechanism is enabled and the Trace Counter is greater than 0, the Trace Counter decrements after each instruction executes. Execution of an instruction when the Trace Counter = 0 causes the chip to enter the Debug mode after completing the execution of the instruction. Only instructions actually executed cause the Trace Counter to decrement. An aborted instruction does not decrement the Trace Counter and does not cause the chip to enter Debug mode.
- *Enabling Memory Breakpoints.* When the memory breakpoint mechanism is enabled with a Breakpoint Counter value of 0, the chip enters Debug mode after executing the instruction that caused the memory breakpoint to occur. For breakpoints on executed Program memory fetches, the breakpoint is acknowledged immediately after the fetched instruction executes. For breakpoints on accesses to X, Y or P memory spaces by MOVE instructions, the breakpoint is acknowledged after execution of the instruction following the instruction that accessed the specified address.

To restore the pipeline and to resume normal chip activity upon returning from the Debug mode, a number of on-chip registers store the chip pipeline status. **Figure 7-13** shows the block diagram of the Pipeline Information Registers with the exception of the PAB registers, which are shown in **Figure 7-8** on page 7-25.



**Figure 7-13.** OnCE Pipeline Information and GDB Registers

- *OnCE PDB Register (OPDBR).* A 24-bit latch that stores the value of the Program Data Bus generated by the last program memory access of the core before Debug mode is entered. The OPDBR is read or written through the JTAG port. This register is affected by the operations performed during the Debug mode and must be restored by the external command controller when returning to Normal mode.
- *OnCE PIL Register (OPILR).* A 24-bit latch that stores the value of the Instruction Latch before Debug mode is entered. OPILR can only be read through the JTAG port. Since the



Instruction Latch is affected by the operations performed during Debug mode, it must be restored by the external command controller when returning to Normal mode. Since there is no direct write access to the Instruction Latch, restoration is accomplished by writing to the OPDBR with no-GO and no-EX. The data written on PDB is transferred into the Instruction Latch.

- *OnCE GDB Register (OGDBR)*. A 24-bit latch that can only be read through the JTAG port. The OGDBR is not actually required for a pipeline status restore, but is required for passing information between the chip and the external command controller. The OGDBR is mapped on the X internal I/O space at address \$FFFFFFC. When the external command controller needs the contents of a register or memory location, it forces the chip to execute an instruction that brings this information to the OGDBR. Then the contents of the OGDBR are delivered serially to the external command controller by the command READ GDB REGISTER.

## 7.2.5 Trace Buffer

To ease debugging activity and keep track of program flow, the DSP56300 core provides a number of on-chip dedicated resources. Three read-only PAB registers give pipeline information when Debug mode is entered, and a Trace Buffer stores the address of the last instruction executed, as well as the addresses of the last eight change of flow instructions.

- *OnCE PAB Register for Fetch (OPABFR)*. A 24-bit register that stores the address of the last instruction whose fetch started before Debug mode was entered. The OPABFR can only be read through the JTAG port. This register is not affected by the operations performed during Debug mode.
- *PAB Register for Decode (OPABDR)*. A 24-bit register that stores the address of the instruction currently on the PDB. This is the instruction whose fetch completed before the chip entered Debug mode. The OPABDR can only be read through the JTAG port. This register is not affected by the operations performed during Debug mode.
- *PAB Register for Execute (OPABEX)*. A 24-bit register that stores the address of the instruction currently in the Instruction Latch. This is the instruction that would have decoded and executed if the chip had not entered Debug mode. The OPABEX register can only be read through the JTAG port. This register is not affected by the operations performed during Debug mode.

The Trace Buffer stores the addresses of the last twelve change of flow instructions that executed, as well as the address of the last executed instruction. It is implemented as a circular buffer containing twelve 25-bit registers and one 4-bit counter. All the registers have the same address, but any read access to the Trace Buffer address causes the counter to increment, thus pointing to the next Trace Buffer register. The registers are serially available to the external command controller through their common Trace Buffer address. **Figure 8** shows the block diagram of the Trace Buffer. The Trace Buffer is not affected by the operations performed during Debug mode

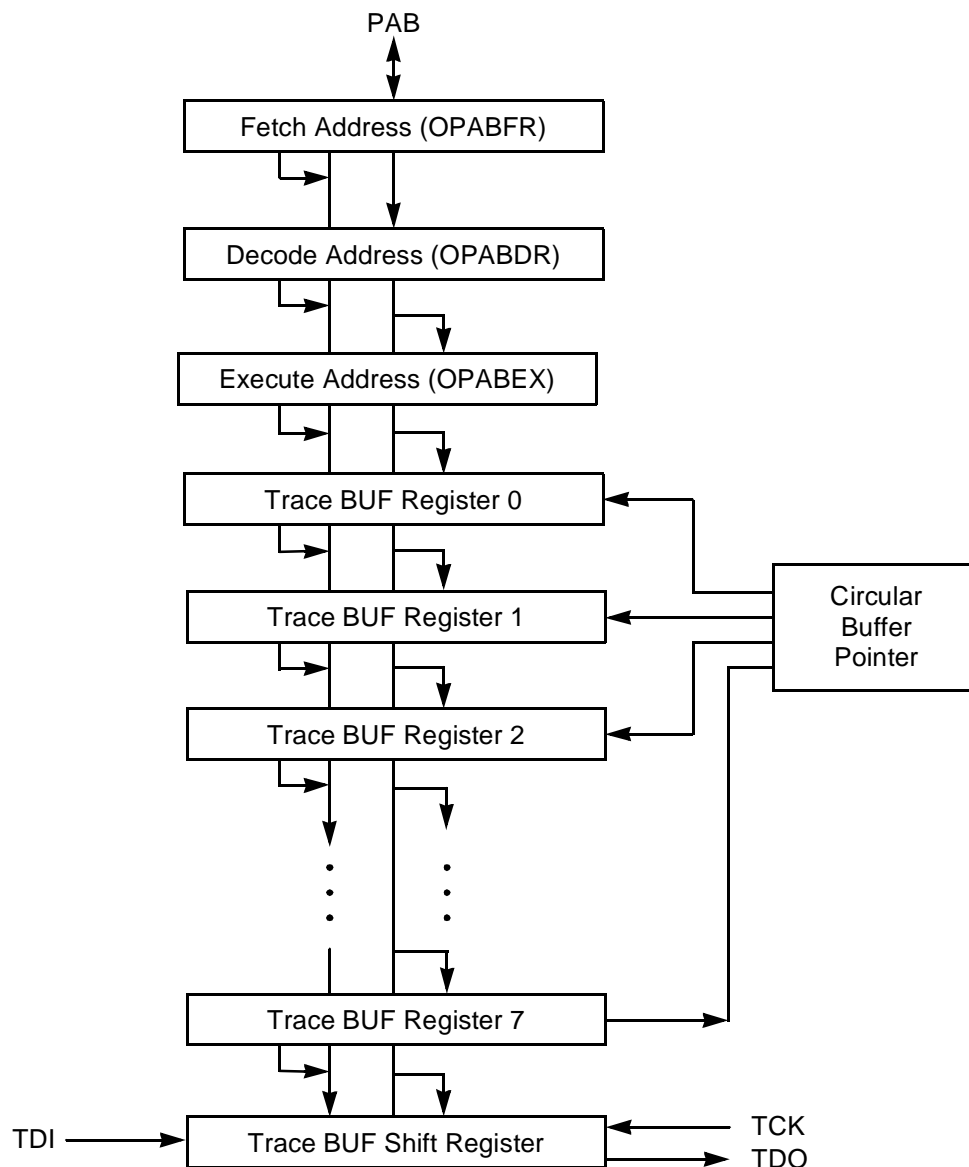
except for the Trace Buffer pointer increment when reading the Trace Buffer. When Debug mode is entered, the Trace Buffer counter points to the Trace Buffer register containing the address of the last executed instructions. The first Trace Buffer read obtains the oldest address and the following Trace Buffer reads get the other addresses from the oldest to the newest, in order of execution.

**Note:** To ensure Trace Buffer coherence, a complete set of twelve reads of the Trace Buffer must be performed because each read increments the Trace Buffer pointer, thus pointing to the next location. After twelve reads, the pointer indicates the same location as before starting the read procedure.

On any change of flow instruction, the Trace Buffer stores both the address of the change of flow instruction, as well as the address of the target of the change of flow instruction. In the case of conditional change of flows, the address of the change of flow instruction is always stored (regardless of the fact that the change of flow is true or false), but if the conditional change of flow is false (that is, not taken) the address of the target is not stored. In order to facilitate the program trace reconstruction, every Trace Buffer location has an additional invalid bit (the 25th bit). If a conditional change of flow instruction has a condition false, the invalid bit is set, thus marking this instruction as not taken. Therefore, it is imperative to read twenty-five bits of data when reading the twelve Trace Buffer registers. Since data is read LSB first, the invalid bit is the first bit to be read.

## 7.2.6 OnCE Commands and Serial Protocol

To permit an efficient means of communication between the external command controller and the DSP56300 core chip, the following protocol is adopted. Before starting any debugging activity, the external command controller must wait for an acknowledge on the  $\overline{DE}$  line indicating that the chip has entered Debug mode (optionally the external command controller can poll the OS1 and OS0 bits in the JTAG instruction shift register). The external command controller communicates with the chip by sending 8-bit commands that can be accompanied by 24 bits of data. Both commands and data are sent or received Least Significant Bit first. After sending a command, the external command controller should wait for the DSP56300 core chip to acknowledge execution of the command. The external command controller can send a new command only after the chip acknowledges execution of the previous command.



**Figure 7-8.** OnCE Trace Buffer Block Diagram

The OnCE commands are classified as follows:

- Read commands (when the chip delivers the required data)
- Write commands (when the chip receives data and writes the data in one of the OnCE registers)
- Commands that do not have data transfers associated with them

The commands are 8 bits long and have the format shown in **Figure 7-7-7, OnCE Command Register (OCR)**, on page 7-12.

## 7.2.7 OnCE Module Examples

The following examples of debugging procedures using the OnCE module assume that the DSP is the only device in the JTAG chain. If more than one device in the chain exists (other DSPs or even other devices), the other devices can be forced to execute the JTAG BYPASS instruction so that their effect in the serial stream is one bit per additional device. The events select-DR, select-IR, update-DR, shift-DR, and so on refer to bringing the JTAG TAP in the corresponding state.

### 7.2.7.1 Checking Whether the Chip Has Entered Debug Mode

There are two methods of verifying that the chip has entered Debug mode:

- Every time the chip enters Debug mode, a pulse is generated on the  $\overline{DE}$  line. A pulse is also generated every time the chip acknowledges the execution of an instruction in Debug mode. An external command controller can connect the  $\overline{DE}$  line to an interrupt pin to sense the acknowledge.
- An external command controller can poll the JTAG instruction shift register for the status bits OS[1–0]. When the chip is in Debug mode these bits are set to the value 11.

In the following paragraphs, the ACK notation denotes the operation performed by the command controller to check whether the chip has entered Debug mode (either by sensing  $\overline{DE}$  or by polling JTAG instruction shift register).

### 7.2.7.2 Polling the JTAG Instruction Register

To poll the core status bits in the JTAG Instruction Register, the following sequence must be performed:

1. Select shift-IR. Passing through capture-IR loads the core status bits into the instruction shift register.
2. Shift in ENABLE\_ONCE. While shifting-in the new instruction the captured status information is shifted out. Pass through update-IR.
3. Return to Run-Test/Idle.

The external command controller can analyze the information shifted out and detect whether the chip has entered Debug mode.

### 7.2.7.3 Saving Pipeline Information

The debugging activity is accomplished by DSP56300 core instructions supplied from the external command controller. Therefore the current state of the DSP56300 core pipeline must be saved before the debug activity starts and the state must be restored before returning to the Normal Mode of operation. The following description of the saving procedure assumes that

ENABLE\_ONCE has executed and Debug mode has been entered and verified as described in **Section 7.2.7.1**, *Checking Whether the Chip Has Entered Debug Mode*, on page 7-26:

1. Select shift-DR. Shift in the Read PDB. Pass through update-DR.
2. Select shift-DR. Shift out the 24-bit OPDB register. Pass through update-DR.
3. Select shift-DR. Shift in the Read PIL. Pass through update-DR.
4. Select shift-DR. Shift out the 24-bit OPILR register. Pass through update-DR.

You do not need to verify acknowledge between Steps 1 and 2 or between Steps 3 and 4, because completion is guaranteed by design.

#### 7.2.7.4 Reading the Trace Buffer

An optional step during debugging activity is reading the information associated with the Trace Buffer in order to enable an external program to reconstruct the full trace of the executed program. In the following description of the read Trace Buffer procedure, assume that all actions described in **Section 7.2.7.3** have executed:

1. Select shift-DR. Shift in the Read PABFR. Pass through update-DR.
2. Select shift-DR. Shift out the 24-bit OPABFR register. Pass through update-DR.
3. Select shift-DR. Shift in the Read PABDR. Pass through update-DR.
4. Select shift-DR. Shift out the 24-bit OPABDR register. Pass through update-DR.
5. Select shift-DR. Shift in the Read PABEX. Pass through update-DR.
6. Select shift-DR. Shift out the 24-bit OPABEX register. Pass through update-DR.
7. Select shift-DR. Shift in the Read FIFO. Pass through update-DR.
8. Select shift-DR. Shift out the 25 bit FIFO register. Pass through update-DR.
9. Repeat Steps 7 and 8 for the entire FIFO (12 times).

You must read the entire FIFO since each read increments the FIFO pointer thus pointing to the next FIFO location. At the end of this procedure the FIFO pointer points back to the beginning of the FIFO. The information read by the external command controller contains the address of the newly fetched instruction, the address of the instruction currently on the PDB, the address of the instruction currently on the instruction latch, and the addresses of the last twelve instructions that have been executed. A user program can now reconstruct the flow of a full trace based on this information and on the original source code of the currently running program.

### 7.2.7.5 Displaying a Specified Register

The DSP56300 must be in Debug mode and all actions described in **Section 7.2.7.3** must have been executed:

1. Select shift-DR. Shift in the Write PDB with GO no-EX. Pass through update-DR.
2. Select shift-DR. Shift in the 24-bit opcode: MOVE reg, X:OGDB. Pass through update-DR to actually write OPDBR and thus begin executing the MOVE instruction.
3. Wait for DSP to reenter Debug mode (wait for  $\overline{DE}$  or poll core status).
4. Select shift-DR and shift in READ GDB REGISTER. Pass through update-DR (this selects OGDBR as the data register for read).
5. Select shift-DR. Shift out the OGDBR contents. Pass through update-DR. Wait for next command.

### 7.2.7.6 Displaying X Memory Area Starting at Address \$xxxxxx

The DSP56300 must be in Debug mode and all actions described in **Section 7.2.7.3** must be complete. Since R0 is used as pointer for the memory, R0 is saved first:

1. Select shift-DR. Shift in the Write PDB with GO no-EX. Pass through update-DR.
2. Select shift-DR. Shift in the 24-bit opcode: MOVE R0, X:OGDB. Pass through update-DR to actually write OPDBR and thus begin executing the MOVE instruction.
3. Wait for DSP to reenter Debug mode (wait for  $\overline{DE}$  or poll core status).
4. Select shift-DR and shift in READ GDB REGISTER. Pass through update-DR (this selects OGDBR as the data register for read).
5. Select shift-DR. Shift out the OGDBR contents. Pass through update-DR. R0 is now saved.
6. Select shift-DR. Shift in the Write PDB with no-GO no-EX. Pass through update-DR.
7. Select shift-DR. Shift in the 24-bit opcode: MOVE #\$xxxxxx,R0. Pass through update-DR to actually write OPDBR.
8. Select shift-DR. Shift in the Write PDB with GO no-EX. Pass through update-DR.
9. Select shift-DR. Shift in the second word of the 24-bit opcode: MOVE #\$xxxxxx,R0 (the \$xxxxxx field). Pass through update-DR to actually write OPDBR and execute the instruction. R0 is loaded with the base address of the memory block to be read.
10. Wait for DSP to reenter Debug mode (wait for  $\overline{DE}$  or poll core status).
11. Select shift-DR. Shift in the Write PDB with GO no-EX. Pass through update-DR.
12. Select shift-DR. Shift in the 24-bit opcode: MOVE X:(R0)+, X:OGDB. Pass through update-DR to actually write OPDBR and thus begin executing the MOVE instruction.

13. Wait for DSP to reenter Debug mode (wait for  $\overline{DE}$  or poll core status).
14. Select shift-DR and shift in READ GDB REGISTER. Pass through update-DR (this selects OGDBR as the data register for read).
15. Select shift-DR. Shift out the OGDBR contents. Pass through update-DR. The memory contents of address \$xxxxxx has been read.
16. Select shift-DR. Shift in the NO SELECT with GO no-EX. Pass through update-DR. This re-executes the same MOVE X:(R0)+, X:OGDB instruction.
17. Repeat from Step 14 to complete the reading of the entire block. When finished, restore the original value of R0.

### 7.2.7.7 Returning From Debug Mode to Normal Mode to Current Program

When you have finished examining the current state of the machine, changed some of the registers, and wish to return and continue execution of its program from the point where it stopped, you must restore the machine pipeline and enable normal instruction execution, as follows:

1. Select shift-DR. Shift in the Write PDB with no-GO no-EX. Pass through update-DR.
2. Select shift-DR. Shift in the 24 bits of saved PIL (instruction latch value). Pass through update-DR to actually write the Instruction Latch.
3. Select shift-DR. Shift in the Write PDB with GO and EX. Pass through update-DR.
4. Select shift-DR. Shift in the 24 bits of saved PDB. Pass through update-DR to actually write the PDB. At the same time the internally saved value of the PAB is driven back from the PABFR register onto the PAB, the ODEC releases the chip from Debug mode and the normal flow of execution is continued.

### 7.2.7.8 Returning from Debug Mode to Normal Mode to a New Program

When you have finished examining the current state of the machine, changed some of the registers and wish to start the execution of a new program (the GOTO command), you must force a change-of-flow to the starting address of the new program (\$xxxxxx), as follows:

1. Select shift-DR. Shift in the Write PDB with no-GO no-EX. Pass through update-DR.
2. Select shift-DR. Shift in the 24 bits of \$0AF080 which is the opcode of the JUMP instruction. Pass through update-DR to actually write the Instruction Latch.
3. Select shift-DR. Shift in the Write PDB-GO-TO with GO and EX. Pass through update-DR.
4. Select shift-DR. Shift in the 24 bits of \$xxxxxx. Pass through update-DR to actually write the PDB. At this time the ODEC releases the chip from Debug mode and the execution is started from the address \$xxxxxx.

If Debug mode entry occurred during a DO LOOP, REP instruction, or other special case (that is, interrupt processing, STOP, WAIT, conditional branching, and so on), you *must* reset the DSP56300 before executing the new program.

### 7.3 Examples of JTAG-OnCE Interaction

This section presents the details of the JTAG-OnCE interaction by describing the TMS sequencing required to achieve the communication described in **Section 7.2.7**. The external command controller can force the DSP56300 into Debug mode by executing the JTAG DEBUG\_REQUEST instruction. To verify that the DSP56300 has entered Debug mode, the external command controller must poll the status by reading the OS[1–0] bits in the JTAG Instruction Shift Register. The TMS sequencing is listed in **Figure 7-7-1**. The sequencing for enabling the OnCE module is described in **Table 7-2**. After executing the JTAG instructions DEBUG\_REQUEST and ENABLE\_ONCE and after the core status is polled to verify that the chip is in Debug mode, the pipeline saving procedure must occur. The TMS sequencing for this procedure is listed in **Table 7-3**.

**Table 7-1.** TMS Sequencing for DEBUG\_REQUEST and Poll the Status

Step	TMS	JTAG	OnCE	Note
a	0	Run-Test/Idle	Idle	
b	1	Select-DR-Scan	Idle	
c	1	Select-IR-Scan	Idle	
d	0	Capture-IR	Idle	status is sampled in shifter
e	0	Shift-IR	Idle	the 4 bits of the JTAG DEBUG_REQUEST (0111) are shifted in while status is shifted out
		.....		
e	0	Shift-IR	Idle	
f	1	Exit1-IR	Idle	
g	1	Update-IR	Idle	debug req is generated
h	1	Select-DR-Scan	Idle	
i	1	Select-IR-Scan	Idle	
j	0	Capture-IR	Idle	status is sampled in shifter
k	0	Shift-IR	Idle	the 4 bits of the JTAG DEBUG_REQUEST (0111) are shifted in while status is shifted out
		.....		
k	0	Shift-IR	Idle	
l	1	Exit1-IR	Idle	
m	1	Update-IR	Idle	
n	0	Run-Test/Idle	Idle	This step is repeated enabling an external command controller to poll the status
		.....		
n	0	Run-Test/Idle	Idle	



In Step n the external command controller verifies that  $OS[1-0] = 11$ , indicating that the chip has entered the Debug mode. If the chip has not yet entered the Debug mode, the external command controller goes to Step b, Step c, and so forth, until the Debug mode is acknowledged.

**Table 7-2. TMS Sequencing for ENABLE\_ONCE**

Step	TMS	JTAG	OnCE	Note
a	1	Test-Logic-Reset	Idle	
b	0	Run-Test/Idle	Idle	
c	1	Select-DR-Scan	Idle	
d	1	Select-IR-Scan	Idle	
e	0	Capture-IR	Idle	Capture core status bits
f	0	Shift-IR	Idle	the 4 bits of the JTAG ENABLE_ONCE instruction (0110) are shifted into the JTAG instruction register while status is shifted out
g	0	Shift-IR	Idle	
h	0	Shift-IR	Idle	
i	0	Shift-IR	Idle	
j	1	Exit1-IR	Idle	
k	1	Update-IR	Idle	OnCE is enabled
l	0	Run-Test/Idle	Idle	This step can be repeated enabling an external command controller to poll the status
l	0	Run-Test/Idle	Idle	

**Table 7-3. TMS Sequencing for Reading Pipeline Register**

Step	TMS	JTAG	OnCE	Note
a	0	Run-Test/Idle	Idle	
b	1	Select-DR-Scan	Idle	
c	0	Capture-DR	Idle	
d	0	Shift-DR	Idle	the 8 bits of the OnCE "Read PIL" (10001011) are shifted in
d	0	Shift-DR	Idle	
e	1	Exit1-DR	Idle	
f	1	Update-DR	Execute "Read PIL"	PIL value is loaded in shifter
g	1	Select-DR-Scan	Idle	
h	0	Capture-DR	Idle	
i	0	Shift-DR	Idle	the 24 bits of the PIL are shifted out (24 steps)
i	0	Shift-DR	Idle	
j	1	Exit1-DR	Idle	

**Table 7-3. TMS Sequencing for Reading Pipeline Register (Continued)**

Step	TMS	JTAG	OnCE	Note
k	1	Update-DR	Idle	
l	1	Select-DR-Scan	Idle	
m	0	Capture-DR	Idle	
n	0	Shift-DR	Idle	the 8 bits of the OnCE "Read PDB" (10001010) are shifted in
.....				
n	0	Shift-DR	Idle	
o	1	Exit1-DR	Idle	
p	1	Update-DR	Execute "Read PDB"	PDB value is loaded in shifter
q	1	Select-DR-Scan	Idle	
r	0	Capture-DR	Idle	
s	0	Shift-DR	Idle	The 24 bits of the PDB are shifted out (24 steps)
.....				
s	0	Shift-DR	Idle	
t	1	Exit1-DR	Idle	
u	1	Update-DR	Idle	
v	0	Run-Test/Idle	Idle	This step can be repeated enabling an external command controller to analyze the information.
.....				
v	0	Run-Test/Idle	Idle	

During Step v, the external command controller stores the pipeline information and afterwards it can proceed with the debug activities, as requested by the user.

### 7.3.1 Address Trace Mode

Address Trace mode allows you to determine the address of internal accesses. The mode is disabled after reset and enabled by setting the ATE bit in the Operating Mode Register (OMR). When the mode is enabled and there is no simultaneous external access, the internal access is reflected on the external address lines. Use the status of  $\overline{BR}$  to determine whether the access referenced by A[0–23]/A[0–17] is internal or external, when this mode is enabled.  $\overline{BR}$  is deasserted for internal accesses and asserted for external accesses.

# Instruction Cache

The instruction cache (ICache) acts as a buffer memory between external memory and the DSP core processor. When code executes, the code words at the locations requested by the instruction set are copied into the ICache for direct access by the core processor. If the same code is used frequently in a set of program instructions, storage of these instructions in the cache yields an increase in throughput because external bus accesses are eliminated. In the DSP56300 instruction set are specific cache instructions that permit you to lock sectors of the cache and to flush the cache contents under software control. When enabled, the ICache comprises 1024 24-bit words (1 K words) of program memory that is not accessible to the user. The address space used by the ICache in internal program memory is reallocated to external program memory when the ICache is enabled. The enabled ICache has the following features:

- Software-controlled Cache Enable (CE) bit in the Extended Mode Register (EMR) in the Status Register (SR)<sup>1</sup>
- Eight-way, fully associative ICache with sectorized placement policy
- 1- to 4-word transfer granularity
- Least Recently Used (LRU) sector replacement algorithm
- Transparent operation (that is, no user management is required)
- Individual sector locking/unlocking
- Global cache flush controlled by software
- Cache controller status observable via the JTAG/OnCE port

**Note:** Supported ICache size is device-dependent. Refer to the device-specific technical data sheet to determine the ICache size for a device.

## 8.1 Instruction Cache Architecture

The ICache is composed of the following:

- *Memory Array.* The actual memory space defined for use by the Cache Controller is 1024 24-bit words and is logically divided into eight 128-word cache sectors. The sector placement algorithm is fully associative. Each word has an associated source address to

---

1. For details on the Status Register (SR), see **Section 5.4.1.2, Status Register (SR)**, on page 5-10.

identify the cache contents. Since the Cache Controller treats Program RAM as 128-word sectors, the 24-bit address is divided into the following two fields:

- VBIT field: 7 LSBs for the word displacement in the sector
- TAG field: 17 MSBs for the sector base address

- *Tag Register File*. Contains the TAG fields of the base addresses of the memory sectors currently mapped into the cache.
- *Valid Bit Array*. Contains a set of valid bits for each possible address in a referenced memory sector. There are valid bits arranged as eight banks of 128 bits each, one bank for every sector. A bit is set if the address location is already in the cache. If the bit is cleared, an external memory fetch is required. Notice that you cannot directly access these valid bits. Processor hardware reset clears the valid bits to indicate that the Program RAM content is not initialized.
- *Cache Controller*. When the Program Control Unit (PCU) initiates a program fetch request, the Cache Controller compares the TAG field of the requested address to tags in each of the eight Memory Array sectors. All eight sectors are searched in parallel using the eight comparators in the Cache Controller. Then the Cache Controller determines whether the request is a cache hit or miss. For cache hits, the address contents are transferred as directed by the PCU for execution. For cache misses, the Cache Controller initiates a fetch in coordination with the Sector Replacement Unit.
- *Sector Replacement Unit (SRU)*. When a sector miss occurs<sup>1</sup>, the SRU determines which sector is flushed from the cache by monitoring requested addresses and sector usage and replacing the least recently used (LRU) sector. The LRU stack status is affected by instruction fetch operations and PFLUSH, PLOCK, and PUNLOCK program cache instructions. Locked cache sectors continue to move up and down the LRU stack, but when the LRU sector is picked, locked sectors are skipped. When initialized by reset, the LRU stack default is from sector number 0 (Most Recently Used) to sector number 7 (LRU).

**Figure 8-1** shows a block diagram of the ICache.

---

1. If there is no match between the tag field and all sector tag registers, meaning that the memory sector containing the requested word is not present in the cache, the situation is called a *sector miss*. A sector miss is another form of a cache miss.

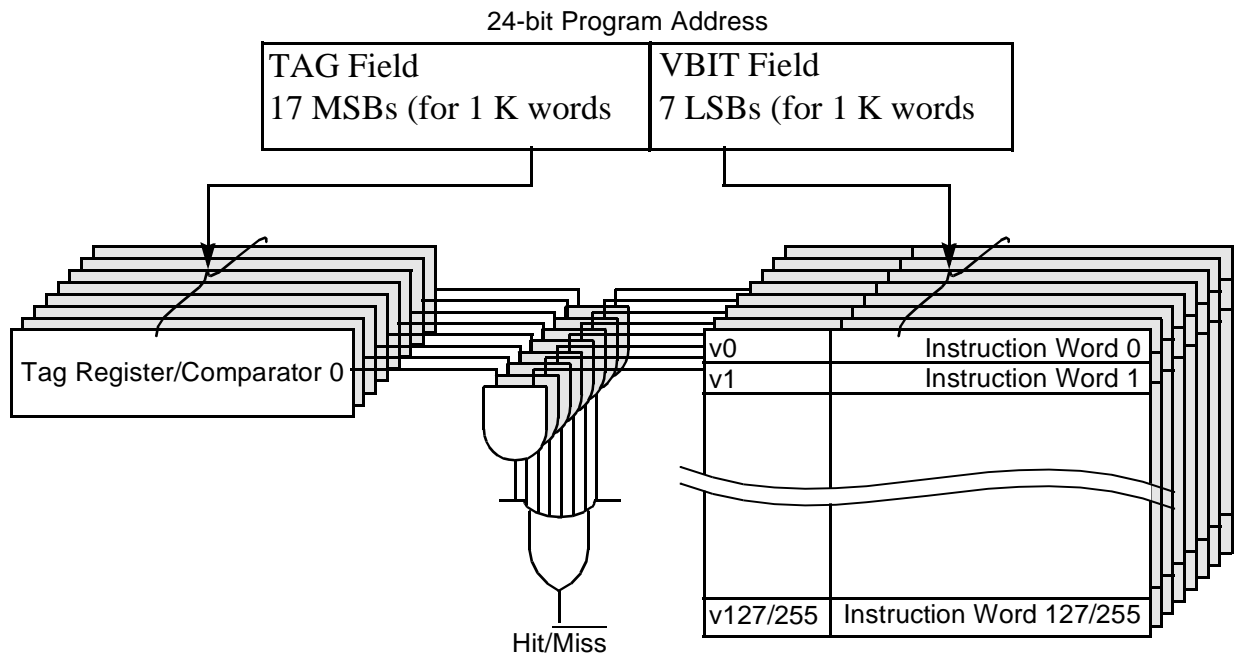


Figure 8-1. Instruction Cache Block Diagram

## 8.2 Cache Programming Model

The ICache is controlled by two control bits:

- Cache Enable (CE) bit in the Extended Mode Register (EMR) part of the Status Register (SR Bit 19)  
When CE is cleared, the ICache is disabled. When CE is set, the ICache is enabled.
- Burst Enable (BE) bit in the Extended Operating Mode (EOM) part of the Operating Mode Register (OMR Bit 10)  
When BE is cleared, the ICache transfer on a miss is one word. When BE is set, the ICache transfer on a miss increases to a burst block of one to four words.

To ensure proper operation, do not clear the Cache Enable mode (CE bit in SR) while Burst mode is enabled (OMR[BE] = 1). Refer to **Chapter 5, Program Control Unit**, for details on the SR and OMR.

- The instruction set supports the ICache via the following instructions:
  - PLOCK
  - PLOCKR
  - PUNLOCK
  - PUNLOCKR
  - PFREE
  - PFLUSH
  - PFLUSHUN

## 8.2.1 Cache Operation

When enabled, the cache is involved in every instruction fetch. Its actions depend on several conditions, including whether the program address is (cache hit) or is not (cache miss) in the ICache and whether Burst mode is enabled or disabled. The following paragraphs describe the conditions under which the ICache operates.

### 8.2.1.1 Program Fetch

When the core generates an address for an instruction fetch, the cache controller compares its TAG field to the tag values currently stored in the Tag Register File.

### 8.2.1.2 Cache Hit

If a tag match (that is, sector hit) exists, then the valid bit of the corresponding word in that cache sector is checked using the VBIT field as an address to the Valid Bit Array. If the valid bit is set, meaning the word in the cache is valid, then that word is fetched from the cache location corresponding to the desired address. This situation is called a cache hit, meaning that both corresponding sector and corresponding instruction word are present and valid in the ICache. The Sector Replacement Unit (SRU) flags the sector as the Most Recently Used (MRU).

### 8.2.1.3 Cache Word Miss When Burst Mode Is Disabled

If a tag match (that is, sector hit) exists, and Burst Mode is disabled, but the desired word is not flagged as valid (corresponding valid bit is cleared), then the cache initiates a read access to the external program memory, introducing wait states into the pipeline. The number of wait states is the number of wait states programmed into the Bus Control registers (BCRs) plus one, reflecting the type of memory used. The Sector Replacement Unit (SRU) flags the sector as the Most Recently Used (MRU), and the fetched instruction is sent to the core and copied to the relevant sector location. Then the valid bit of that word is set.

### 8.2.1.4 Cache Word Miss When Burst Mode Is Enabled

If a tag match (that is, sector hit) exists, and Burst Mode is enabled, but the desired word is not flagged as valid (that is, the corresponding valid bit is cleared), then the cache initiates a burst of up to four read accesses to the external program memory. The exact number of fetch requests depends on the value of the two LSBs of the address of the initiating fetch that was detected as a miss, as indicated in **Table 8-1**.

**Table 8-1.** Number of Required Fetches in Burst Mode

Value of the 2 LSBs of the Requested Address	Number of Fetch Requests Initiated
00	Four requests are initiated
01	Three requests are initiated

**Table 8-1.** Number of Required Fetches in Burst Mode (Continued)

Value of the 2 LSBs of the Requested Address	Number of Fetch Requests Initiated
10	Two requests are initiated
11	Only one request is initiated (that is, same as if the Burst mode is disabled)

These external read accesses introduce wait states into the pipeline. The number of wait states for each fetch is the number of wait states that are programmed into the bus control registers (BCRs) plus one, reflecting the type of memory used. The Sector Replacement Unit (SRU) flags the sector as the Most Recently Used (MRU), and each of the fetched instructions is copied to the relevant sector location. Then the valid bit of that word is set.

### 8.2.1.5 Sector Miss

If there is no match between the TAG field and all sector Tag registers, meaning that the memory sector containing the requested word is not in the cache, the situation is called a sector miss, which is another form of a cache miss. If a sector miss occurs, the SRU selects the sector to be replaced. The cache controller then flushes the selected cache sector by clearing all corresponding valid bits, loads the corresponding Tag register with the new TAG field, and simultaneously initiates an access to the external Program RAM, as described in **Section 8.2.1.3** and **Section 8.2.1.4**. The sector is flagged as MRU, the fetched instruction is sent to the core and copied to the relevant sector location, and the valid bit of that word is set.

## 8.2.2 Default Mode After Hardware Reset

After hardware reset, the ICache is disabled. The cache is initialized as follows:

- All valid bits are cleared.
- All Tag Registers are initialized to ‘all ones,’ that is, \$1FFFF for a 1 K words cache (17-bit Tag Register).
- The LRU stack holds a default descending order of sectors (from seven to zero).
- All cache sectors are in the unlocked state.

## 8.3 Cache Locking

Cache locking is useful for locking some time-critical code parts in the cache memory. When a cache sector is locked, the Sector Replacement Unit (SRU) cannot replace this sector, even if it becomes the Least Recently Used (LRU) sector (bottom of LRU stack). A sector can be locked by the instructions PLOCK or PLOCKR. The operand for these instructions is an effective memory address (absolute or program counter-relative). The cache sector to which this address belongs, if one exists, is locked. If the specified effective address does not belong to one of the current cache sectors, a memory sector containing this address is allocated into the cache, thereby

replacing the LRU cache sector. This cache sector is locked, but empty. If all the cache sectors are already locked, this memory sector is not allocated into the cache, and the lock operation is not executed. The locked cache sector becomes MRU. Locking a cache sector already in the cache does not affect its contents, the value of its valid bits, or the corresponding Tag Register contents. PLOCK and PLOCKR are detected as illegal opcodes when the ICache is not enabled. Issuing these instructions when the cache is disabled initiates the Illegal Interrupt. A distance of at least 3 instruction cycles (equivalent to three NOP instructions) should be maintained between an instruction that changes the value of the Cache Enable bit (CE) and one of the instructions PLOCK and PLOCKR.

## 8.4 Cache Unlocking

A locked sector can be unlocked to allow sector replacement from that cache sector. Unlocking can be performed in three different ways.

- A locked sector is unlocked by the PFREE, PUNLOCK, or PUNLOCKR instructions. The operands of the PUNLOCK and PUNLOCKR instructions are effective memory addresses (absolute or program counter-relative). The memory sector containing this address is allocated into a cache sector, if it is not already in a cache sector, and this cache sector is unlocked. If all the cache sectors are already locked, this memory sector is not allocated into the cache, and the unlock operation is not executed. The unlocked cache sector becomes MRU and is enabled for replacement by the LRU algorithm. Unlocking a locked cache sector using these instructions does not affect its contents, its tag, or its valid bits.
- All locked sectors are unlocked simultaneously using the instruction PFREE, which allows you to reset the locking mechanism. Unlocking the sectors using PFREE neither affects the sector contents (instructions already fetched into the sector storage area), valid bits, tags, nor the LRU stack status.
- The locked sectors are unlocked by the PFLUSH instruction. Unlocking the sectors via PFLUSH clears all the sectors' valid bits and sets the LRU stack and Tag registers to their default values.

PFREE, PUNLOCK and PUNLOCKR are detected as illegal opcodes when the ICache is not enabled. Issuing these instructions when the cache is disabled initiates the Illegal Interrupt. A distance of at least three instruction cycles (equivalent to three NOP instructions) should be maintained between an instruction that changes the value of the Cache Enable bit (CE) and one of the instructions PFREE, PUNLOCK and PUNLOCKR.

## 8.5 Flushing the Cache

Executing the PFLUSH or PFLUSHUN instructions flushes the cache. Executing PFLUSH causes a global cache flush that brings the cache to the following hardware reset initial condition:

- All valid bits are cleared.



- All Tag Registers are initialized to ‘all ones,’ that is, \$1FFFF for a 1 K words cache (17-bit Tag Register).
- The LRU stack holds a default descending order of sectors (from 7 to 0).
- All cache sectors are in the unlocked state.

Executing PFLUSHUN causes a flush only to the unlocked sectors and initializes the cache as follows:

- All valid bits of the unlocked sectors are cleared.
- All Tag Registers of the unlocked sectors are initialized to ‘all ones,’ that is, \$1FFFF for a 1 K words cache (17-bit Tag Register).
- The LRU stack holds a default descending order of sectors (from 7 to 0).

Coherency between Program RAM mode and Cache mode is not supported by the ICache Controller. It is not possible to fill the cache while in Program RAM mode and use the contents after switching to Cache mode. The cache is automatically flushed when switching from Cache to Program RAM mode.

PFLUSH and PFLUSHUN are detected as illegal opcodes when the ICache is not enabled. Issuing these instructions when the cache is disabled initiates the Illegal Interrupt. At least three instruction cycles (equivalent to three NOP instructions) should be maintained between an instruction that changes the value of the Cache Enable bit (CE) and one of the instructions PFLUSH and PFLUSHUN.

## 8.6 Data Transfers to/from Instruction Cache

Data transfers to/from the program memory can be accomplished by the DMA or by software, using MOVE instructions. Only PMOVE instructions can transfer data to/from the ICache.

### 8.6.1 DMA Transfers

DMA transfers have no effect on the Tag Register File, Valid Bit Array and LRU Stack, even when the cache is enabled. When the cache is disabled, the ICache memory space is considered part of the internal program memory space. DMA transfers to/from this space execute without any limitation. When the cache is enabled, the ICache memory space is considered part of the external program memory space. DMA transfers to/from this space execute through the external memory expansion port. Coherency between the external program memory and the contents of the ICache is not maintained.

### 8.6.2 Software-Controlled Transfers

The term “PMOVE” indicates use of a MOVE instruction to transfer data between the program memory space and any other source/destination. PMOVE data transfers do not affect the Tag Register File and LRU Stack, even if the cache is enabled. The term “PMOVEW” indicates a

PMOVE transfer with the program memory space as the destination. The term “PMOVER” indicates a PMOVE transfer with the program memory space as the source.

When the cache is disabled, the ICache memory space is considered part of the internal program memory space. PMOVER from this space or PMOVEW to this space execute without any limitation. When the cache is enabled, the cache controller checks the PMOVER transfers for a hit or miss:

- If the cache controller generates a hit on the program memory space address, the data is read from the cache memory array. Since PMOVE is not considered an instruction fetch operation, the LRU state is not changed by this transfer.
- If the cache controller generates a miss on the program memory space address, the data is read from the external program memory. The Cache state is not changed by this transfer. In Burst mode, no burst is initiated. Be aware that the core is delayed by the number of wait states specified in the BCR.

When the cache is enabled, the cache controller checks the PMOVEW transfers for a hit or miss:

- If the cache controller generates a sector hit on the program memory space address, the data is written both to the cache memory array and to the external program memory. The valid bit of the word is set. The LRU stack is not changed by this transfer. Be aware that the core is delayed by the number of wait states specified in the BCR.
- If the cache controller generates a sector miss on the program memory space address, the data is written only to the external program memory. The Cache state is not changed by this transfer. In Burst mode, no burst is initiated. Be aware that the core is delayed by the number of wait states specified in the BCR.

For proper operation, none of the three instructions before a PMOVE transfer should clear or set the Status Register CE bit.

## 8.7 Using the Instruction Cache in Real-Time Applications

The following tips help you to use the ICache in real-time applications:

- Each sector (out of the 8, 128 words) can be individually locked.
- Locking a sector prevents its replacement in case of a miss even if it would have been its turn to be replaced.
- It is typical to lock the interrupt vector tables and routines to ensure the fastest response. Furthermore, these routines can be loaded beforehand using PMOVEs to ensure a hit on the first access.
- The cache can be globally flushed (for example, for task switching) with one instruction.
- The cache can be globally unlocked (that is any sector can be replaced in case of a miss) or any individual sector can be unlocked allowing its replacement.

- The penalty incurred for a cache miss is identical with the one for a regular instruction fetch from external memory (1 wait state with 15 ns SRAM at 66 MHz).
- The software simulator permits application tailoring since it provides clock exact behavior.
- In general, an algorithm that requires  $N$  clocks to execute and is repeated  $M$  times, requires ( $WS$  is a number of wait states):  
 $(N + N \times WS)M = N \times M(WS + 1)$  clocks.
- In a cache environment, the same algorithm requires:  
 $N(WS + 1) + N(M - 1) = N(M + WS)$  clocks.

## 8.8 Debugging Instruction Cache Operation

While the cache is enabled, full non-intrusive system debug capability in Debug mode includes being able to observe:

- What memory sectors are currently mapped into cache
- Which cache sectors are locked
- Which cache sector is the LRU
- When cache hits occur

Debug mode allows you to read the Tag register contents, lock bits, LRU bits, and hit-status serially from the OnCE module via the JTAG port. You can also read the valid bits of specific cache locations. To check whether an address with MSBs in a Tag register is in the cache, send the opcode of a MOVEM from this address. Bit 5 of the OnCE Status and Control register (OSCR) indicates the value of the valid bit. See **Chapter 7, *Debugging Support***, for more information.

**Note:** Each read of the cache status via the OnCE module should occur only when the device is in the Debug mode and should access all nine registers, so that reads start with tag #0 every time.



# External Memory Interface (Port A)

The external memory expansion port, Port A, can be used either for memory expansion or for memory-mapped I/O. External memory is easily and quickly retrieved through the use of DMA or simple MOVE commands. For more information on Port A programming see application note AN1751D, *DSP563xx Port A Programming*. Several features make Port A versatile and easy to use, resulting in a low part-count connection with fast or slow static memories, dynamic memories, I/O devices and multiple bus master system. The Port A data bus is 24 bits wide with a separate 18-bit or 24-bit address bus.

External memory is divided into three possible 16 M × 24-bit spaces: X data, Y data, and program memory. Each space or all spaces can access a given external memory. Access type and attributes are under software control. See the memory map in **Chapter 11, *Operating Modes and Memory Spaces***, for memory space that is not accessible through Port A. An internal wait state generator can be programmed to statically insert up to 31 wait states for access to slower memory or I/O devices. A Transfer Acknowledge ( $\overline{TA}$ ) signal allows an external device to dynamically control the number of wait states inserted into a bus access operation. The bus arbitration allows multiple potential masters of the Port A bus. One DSP56300 processor can use the Port A bus to access external devices while other potential masters perform internal operations that do not require the Port A bus. See the memory map in the device-specific user's manual for memory space that is not accessible.

## 9.1 Signal Description

**Table 9-1** through **Table 9-3** show the signals that the external memory interface uses for controlling and transferring data.

**Table 9-1.** External Address Bus Signals

Signal Name	Type	State During Reset	Signal Description
A[0–17]/ A[0–23]	Output	Tri-stated	<b>Address Bus</b> When the DSP is the bus master, A[0–17]/A[0–23] are active-high outputs that specify the address for external program and data memory accesses. Otherwise, the signals are tri-stated. To minimize power dissipation, A[0–17]/A[0–23] do not change state when external memory spaces are not being accessed.
<b>Note:</b> The total number of address lines is device-specific.			

**Table 9-2.** External Data Bus Signals

Signal Name	Type	State During Reset <sup>1,2</sup>	Signal Description
D[0–23]	Input/Output	Tri-stated	<b>Data Bus</b> When the DSP is the bus master, D[0–23] are active-high, bidirectional input/outputs that provide the bidirectional data bus for external program and data memory accesses. Otherwise, D[0–23] are tri-stated.
<p><b>Notes:</b></p> <ol style="list-style-type: none"> <li>In the Stop state, the signal maintains the last state as follows: <ul style="list-style-type: none"> <li>If the last state is input, the signal is an ignored input.</li> <li>If the last state is output, these lines are tri-stated internally.</li> </ul>           However, some DSP56300 devices have internal keeper circuits that maintain last output level even when the internal drivers are tri-stated. Refer to the specific device technical data sheet, user's manual, or reference manual for details. </li> <li>The Wait processing state does not affect the signal state.</li> </ol>			

**Table 9-3.** External Bus Control Signals

Signal Name	Type	State During Reset, Stop, or Wait	Signal Description
AA[0–3]	Output	Tri-stated	<b>Address Attribute</b> When defined as AA, these signals can be used as chip selects or additional address lines. The default use defines a priority scheme under which only one AA signal can be asserted at a time. Setting the AA priority disable (APD) bit (Bit 14) of the OMR, the priority mechanism is disabled and the lines can be used together as four external lines that can be decoded externally into 16 chip select signals. Unlike address lines, these lines are deasserted between external accesses. See <b>Section 9.6.1 Address Attribute Registers (AAR[0–3])</b> for details.
$\overline{\text{RAS}}[0–3]$	Output	Tri-stated	<b>Row Address Strobe</b> When defined as $\overline{\text{RAS}}$ , these signals can be used as $\overline{\text{RAS}}$ for the DRAM interface. These signals are tri-stateable outputs with programmable polarity.  <b>Note:</b> DRAM access is not supported above 100 MHz. Also, the DSP56321 does not support DRAM at any frequency.
RD	Output	Tri-stated	<b>Read Enable</b> When the DSP is the bus master, $\overline{\text{RD}}$ is an active-low output that is asserted to read external memory on the data bus (D[0–23]). Otherwise, $\overline{\text{RD}}$ is tri-stated.
WR	Output	Tri-stated	<b>Write Enable</b> When the DSP is the bus master, $\overline{\text{WR}}$ is an active-low output that is asserted to write external memory on the data bus (D[0–23]). Otherwise, the signal is tri-stated.

Table 9-3. External Bus Control Signals (Continued)

Signal Name	Type	State During Reset, Stop, or Wait	Signal Description
BS	Output	Tri-stated	<p><b>Bus Strobe</b> When the DSP is the bus master, <math>\overline{BS}</math> is asserted for half a clock cycle at the start of a bus cycle to provide an “early bus start” signal for a bus controller. If the external bus is not used during an instruction cycle, <math>\overline{BS}</math> remains deasserted until the next external bus cycle.</p> <p><b>Note:</b> This signal is not implemented on all devices in the DSP56300 family.</p>
$\overline{TA}$	Input	Ignored Input	<p><b>Transfer Acknowledge</b> If the DSP56300 device is the bus master and there is no external bus activity, or the device is not the bus master, the <math>\overline{TA}</math> input is ignored. The <math>\overline{TA}</math> input is a data transfer acknowledge (DTACK) function that can extend an external bus cycle indefinitely. Any number of wait states (1, 2, . . . infinity) can be added to the wait states inserted by the bus control register (BCR) by keeping <math>\overline{TA}</math> deasserted. In typical operation, <math>\overline{TA}</math> is deasserted at the start of a bus cycle, asserted to enable completion of the bus cycle, and deasserted before the next bus cycle. The current bus cycle completes one clock period after <math>\overline{TA}</math> is deasserted. The number of wait states is determined by the <math>\overline{TA}</math> input or by the BCR, whichever is longer. The BCR sets the minimum number of wait states in external bus cycles. In order to use the <math>\overline{TA}</math> functionality, the BCR must be programmed to at least one wait state. A zero wait state access cannot be extended by <math>\overline{TA}</math> deassertion.</p> <p>At operating frequencies <math>\leq 100</math> MHz, <math>\overline{TA}</math> can operate synchronously (with respect to CLKOUT) or asynchronously depending on the setting of the TAS bit in the Operating Mode Register (OMR). If synchronous mode is selected, the user is responsible for ensuring that <math>\overline{TA}</math> transitions occur synchronous to CLKOUT to ensure correct operation. Synchronous operation is not supported above 100 MHz and the OMR[TAS] bit must be set to synchronize the <math>\overline{TA}</math> signal with the internal clock.</p> <p><b>Note:</b> Do not use <math>\overline{TA}</math> while performing DRAM accesses; otherwise, improper operation may result. Also, when the DSP56300 device is the bus master, but <math>\overline{TA}</math> is not used for external bus control, <math>\overline{TA}</math> must be pulled down (asserted).</p>
$\overline{BR}$	Output	<p>Reset: Output (deasserted)</p> <p>State during Stop/Wait depends on BCR[BRH] bit setting:</p> <ul style="list-style-type: none"> <li>• BRH = 0: Output, deasserted</li> <li>• BRH = 1: Maintains last state (that is, if asserted, remains asserted)</li> </ul>	<p><b>Bus Request</b> Never tri-stated. <math>\overline{BR}</math> is asserted when the DSP requests bus mastership. <math>\overline{BR}</math> is deasserted when the DSP no longer needs the bus. <math>\overline{BR}</math> may be asserted or deasserted independent of whether the DSP56300 family device is a bus master or not. Bus “parking” allows bus access without asserting <math>\overline{BR}</math> (see the descriptions of bus “parking” in <b>Section 9.5.3.4</b> and <b>Section 9.5.3.6</b>). The Bus Request Hold (BRH) bit in the Bus Control Register (BCR) allows <math>\overline{BR}</math> to be asserted under software control, even though the DSP does not need the bus. <math>\overline{BR}</math> is typically sent to an external bus arbiter that controls the priority, parking, and tenure of each master on the same external bus. <math>\overline{BR}</math> is only affected by DSP requests for the external bus, never for the internal bus. During hardware reset, <math>\overline{BR}</math> is deasserted; arbitration is reset to the bus slave state.</p>

Table 9-3. External Bus Control Signals (Continued)

Signal Name	Type	State During Reset, Stop, or Wait	Signal Description
BG	Input	Ignored Input	<p><b>Bus Grant</b> Asserted by an external bus arbitration circuit when the DSP56300 family device becomes the next bus master. BG must be asserted/deasserted synchronous to CLKOUT for proper operation. When BG is asserted, the DSP56300 family device must wait until <math>\overline{BB}</math> is deasserted before taking bus mastership. When <math>\overline{BG}</math> is deasserted, bus mastership is typically given up at the end of the current bus cycle. This may occur in the middle of an instruction that requires more than one external bus cycle for execution.</p>
BB	Input/ Output	Ignored input	<p><b>Bus Busy</b> Indicates that the bus is active. <math>\overline{BB}</math> must be asserted and deasserted synchronous to CLKOUT. Only after <math>\overline{BB}</math> is deasserted can a pending bus master become the bus master (and assert <math>\overline{BB}</math>). Some designs allow a bus master to keep <math>\overline{BB}</math> asserted after ceasing bus activity. This is called “bus parking” and allows the current bus master to reuse the bus without re-arbitration until another device requires the bus (see <b>Section 9.5.3.4</b> and <b>Section 9.5.3.6</b>). Deassertion of <math>\overline{BB}</math> uses an “active pull-up” method (that is, <math>\overline{BB}</math> is driven high and then released and held high by an external pull-up resistor).</p> <p><b>Note:</b> <math>\overline{BB}</math> requires an external pull-up resistor.</p>
BL	Output	Driven high	<p><b>Bus Lock</b> Asserted at the start of an external divisible read-modify-write bus cycle, remains asserted between the read and write cycles, and is deasserted at the end of the write bus cycle. This provides an “early bus start” signal for the bus controller. <math>\overline{BL}</math> may be used to “resource lock” an external multi-port memory for secure semaphore updates. Early deassertion provides an “early bus end” signal useful for external bus control. If the external bus is not used during an instruction cycle, BL remains deasserted until the next external indivisible read-modify-write cycle. The only instructions that assert <math>\overline{BL}</math> automatically are BSET, BCLR, and BCHG when the access is to external memory. An operation can also assert <math>\overline{BL}</math> by setting the BLH bit in the BCR.</p> <p>This signal is not implemented on all devices in the DSP56300 family.</p>
$\overline{CAS}$	Output	Tri-stated	<p><b>Column Address Strobe</b> When the DSP is the bus master, <math>\overline{CAS}</math> is an active-low output used by DRAM to strobe the column address. Otherwise, if the Bus Mastership Enable (BME) bit in the DRAM control register is cleared, the signal is tri-stated.</p> <p><b>Note:</b> DRAM access is not supported above 100 MHz. Also, the DSP56321 does not support DRAM at any frequency.</p>



**Table 9-3.** External Bus Control Signals (Continued)

Signal Name	Type	State During Reset, Stop, or Wait	Signal Description
BCLK	Output	Tri-stated	<p><b>Bus Clock</b> When the DSP is the bus master, BCLK is active when the ATE bit in the Operating Mode Register is set. When BCLK is active and synchronized to CLKOUT by the internal PLL, BCLK precedes CLKOUT by one-fourth of a clock cycle. You can use the rising edge of BCLK to sample the address lines to determine where an internal Program memory access is occurring.</p> <p><b>Note:</b> At operating frequencies above 100 MHz, this signal produces a low-amplitude waveform that is not usable externally by other devices. Also, the DSP56321 does not support BCLK at any frequency.</p>
$\overline{\text{BCLK}}$	Output	Tri-stated	<p><b>Bus Clock Not</b> When the DSP is the bus master, <math>\overline{\text{BCLK}}</math> is the inverse of the BCLK signal. Otherwise, the signal is tri-stated.</p> <p><b>Note:</b> At operating frequencies above 100 MHz, this signal produces a low-amplitude waveform that is not usable externally by other devices. Also, the DSP56321 does not support <math>\overline{\text{BCLK}}</math> at any frequency.</p>

## 9.2 Port Operation

External bus timing is defined by the operation of the Address Bus, Data Bus, and Bus Control pins as described in the previous sections. The DSP56300 core external ports interface with a wide variety of memory and peripheral devices, high speed SRAMs and DRAMs, and slower memory devices. The  $\overline{\text{TA}}$  control signal and the Bus Control Register (BCR) described in **Section 9.6.2** control the external bus timing. The BCR provides constant bus access timing through the insertion of wait states.  $\overline{\text{TA}}$  provides dynamic bus access timing. The number of wait states for each external access is determined by the  $\overline{\text{TA}}$  input or by the BCR, whichever specifies the longest time.

### 9.2.1 External Memory Addressing

The external memory address is defined by the Address Bus (A[0–17]/A[0–23]) and the memory Address Attribute signals (AA[0–3]). The AA signals can operate as memory-mapped chip selects or address lines to external devices, depending on the mode selected. The AA signals have the same timing as the Address Bus signals and can be used as additional address lines. The AA signals are also used to generate Chip Select (CS) signals for the appropriate memory chips. These CS signals change the memory chips from low power Standby mode to Active mode and begin the access time. This allows slower memories to be used since the AA signals are address-based rather than read or write enable-based.

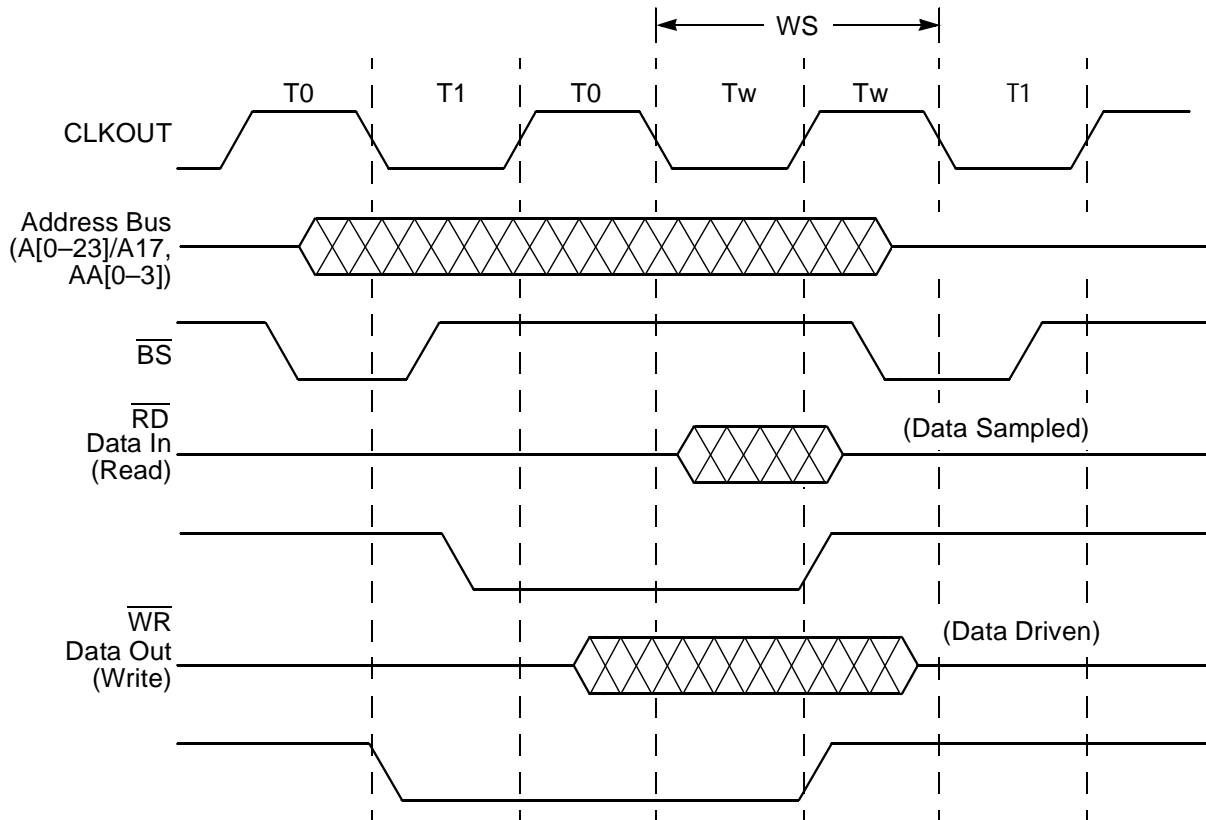
For DSP56300 parts with 18 address lines, the AA signals can be used to extend memory access, if used as upper addressing bits. If all four AA signals are used as address lines, the total addressable external memory can be  $4\text{ M} \times 24\text{-bit}$  if the OMR[APD] bit is set. When the APD bit is set, it disables the priority assigned to AA[0–3] thereby enabling more than one AA signal to be active simultaneously. Additionally, if all four AA signals are used as address lines, then the memory must always be selected, because no AA signals are available for chip select. As a result, an external read or write outside the 4 M range could still go to the external memory (depending on the settings of the AA registers). Be aware that unlike standard address bus lines, AA[0–3] do not hold their state after a read or write operation.

## 9.2.2 SRAM Support

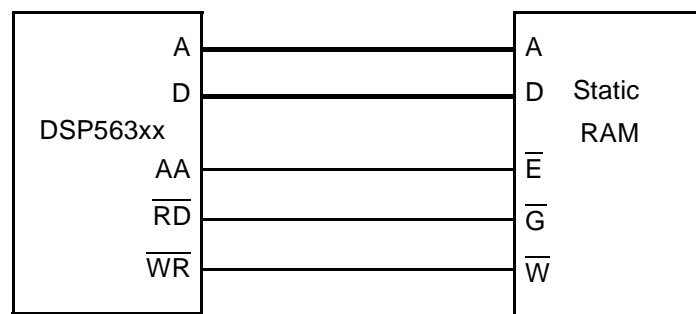
The DSP56300 core can interface easily with SRAMs. Because the address must remain stable during the entire bus cycle, however, at least one wait state must be inserted regardless of the speed of the SRAM. **Figure 9-1** shows an SRAM access timing example (for detailed timing information, see the specific technical data sheet for the device used in the design). **Figure 9-2** shows a typical DSP56300 family device-to-SRAM connection. SRAM access consists of the following steps:

1. Address Bus (A[0–17]/A[0–23]), Address Attributes (AA[0–3]), and Bus Strobe ( $\overline{\text{BS}}$ ) are asserted in the middle of CLKOUT high phase.
2. Write enable ( $\overline{\text{WR}}$ ) is asserted with the falling edge of CLKOUT (for a single wait state access). Read enable ( $\overline{\text{RD}}$ ) is asserted in the middle of CLKOUT low phase.
3. For a write operation, data is driven in the middle of CLKOUT high phase. For a read operation, data is sampled in the middle of CLKOUT last low phase of the external access.

For accessing slower memories, wait states (from the BCR or by the  $\overline{\text{TA}}$  signal) postpone the disappearance of the external address and increase memory access time. In any case, SRAM access requires at least one wait state—that is, above 100 MHz SRAM access requires two wait states.



**Figure 9-1.** SRAM Access With One Wait State Example



**Figure 9-2.** Example SRAM Connection Diagram

The assertion of  $\overline{WR}$  depends on the number of wait states programmed in the BCR. If one wait state is programmed,  $\overline{WR}$  is asserted with the falling edge of CLKOUT. If two or three wait states are programmed,  $\overline{WR}$  assertion is delayed by half a clock cycle (half CLKOUT cycle). If four or more wait states are programmed,  $\overline{WR}$  assertion is delayed by a full clock cycle. This feature enables the connection of slow external devices that require long address setup time before write assertion in order to prevent false writes.

### 9.2.3 DRAM Support

**Note:** DSP56300 devices do not support the DRAM interface above 100 MHz. The DSP56321 does not support DRAM at any frequency.

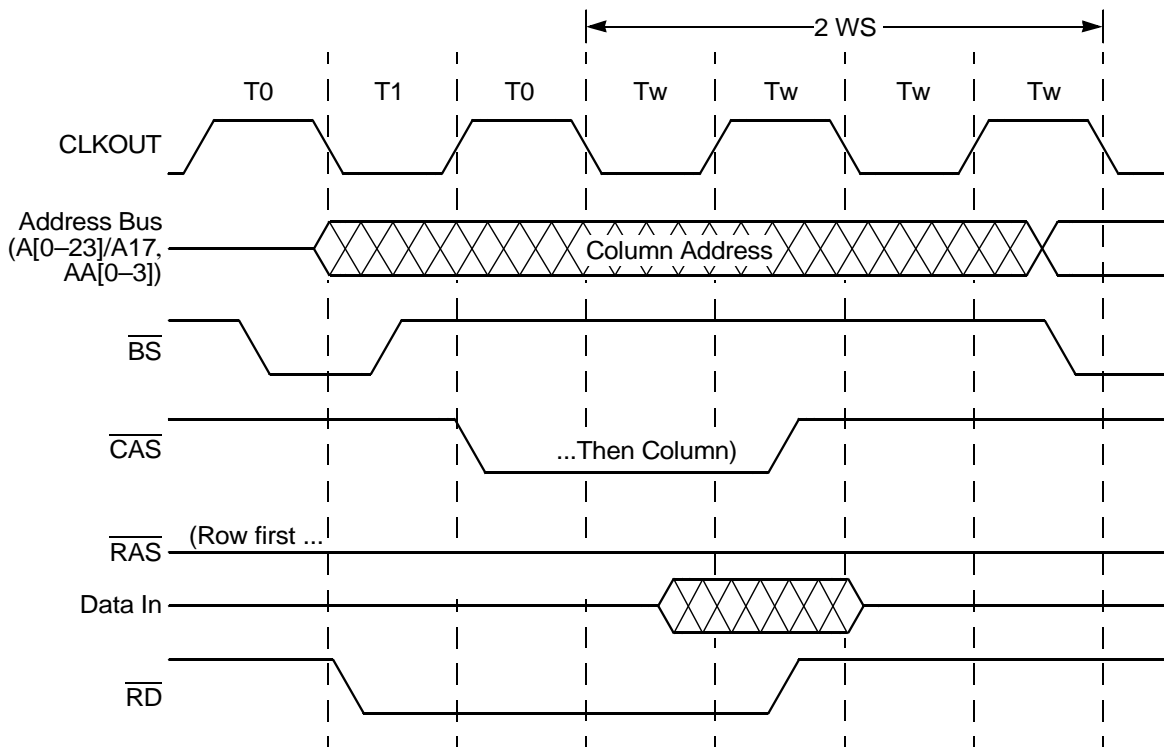
Port A bus control signals are an efficient interface to DRAM devices in both random read/write cycles and Fast Access mode (Page mode). An on-chip DRAM controller controls the page hit circuit, address multiplexing (row address and column address), control signal generation ( $\overline{\text{CAS}}$  and  $\overline{\text{RAS}}$ ), and refresh access generation ( $\overline{\text{CAS}}$  before  $\overline{\text{RAS}}$ ) for a large variety of DRAM module sizes and different access times. The DRAM controller operation and programming is described in **Section 9.6.3, DRAM Control Register**, on page 9-21.

External bus timing is controlled by the DRAM Control Register (DCR) described in **Section 9.6.3**. The DCR controls insertion of wait states to provide constant bus access timing. The external memory address is defined by the Address Bus (A[0-23]/A[0-17]). The “n” low order address bits are multiplexed inside the DSP56300 core, and the new 24-bit address is driven to the external bus. The address multiplexing enables a glueless interface to DRAMs by simply connecting the “n” low order bits to the memory address pins. When the BAT bits in the corresponding AAR are programmed, an Address Attribute signal can function as a Row Address Strobe ( $\overline{\text{RAS}}$ ). An in-page access is assumed, and  $\overline{\text{RAS}}$  is therefore kept asserted until one of the following events occurs:

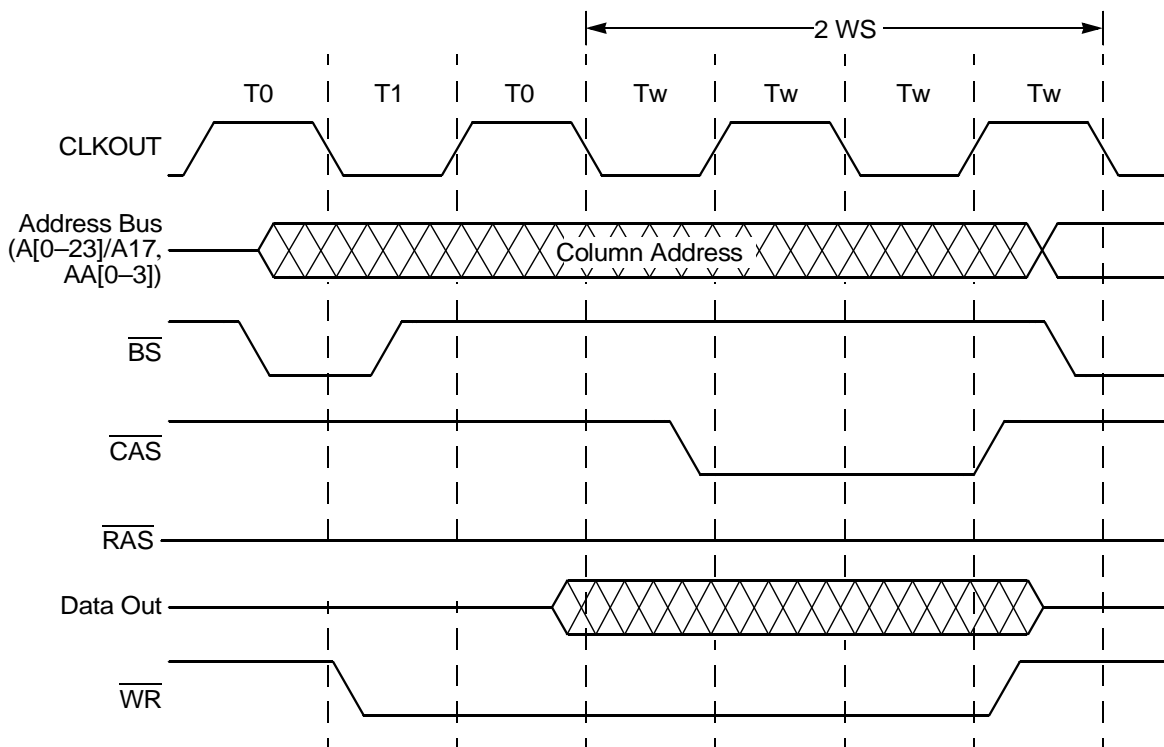
- An out-of-page access is detected
- An access to another bank of dynamic memory is attempted
- A refresh access is attempted ( $\overline{\text{CAS}}$  before  $\overline{\text{RAS}}$ )
- A write to one of the following registers is detected:
  - BCR
  - DCR
  - AAR3
  - AAR2
  - AAR1
  - AAR0
- A loss of bus mastership is detected while the BME bit in the DCR register is cleared
- WAIT or STOP instruction is detected
- Hardware or software reset is detected

**Figure 9-3** and **Figure 9-4** show DRAM in-page access timing examples. For detailed timing information, see the technical data sheet for the device used in the design.

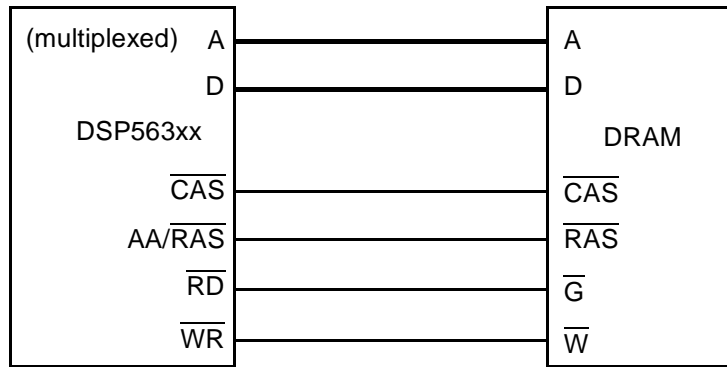
**Figure 9-5** shows a typical DSP56300 family device-to-DRAM connection.



**Figure 9-3.** DRAM Read Access (In-Page) With Two Wait States



**Figure 9-4.** DRAM Write Access (In-Page) With Two Wait States Example



**Figure 9-5.** Typical DRAM Connection Diagram

### 9.2.3.1 DRAM In-Page Access

A DRAM in-page access consists of the following steps:

1. Column address (a subset of A[0–23]/A17, as determined by the BPS bits in the DCR) and Bus Strobe ( $\overline{BS}$ ) are asserted in the middle of CLKOUT high phase.
2. Write ( $\overline{WR}$ ) or Read ( $\overline{RD}$ ) is asserted with the CLKOUT falling edge.
3.  $\overline{CAS}$  assertion timing depends on the number of in-page wait states selected by the DCR[BCW] bits and on the access purpose (read or write). (See **Figure 9-3** and **Figure 9-4** for examples of DRAM in-page read and write accesses using two wait states).
4.  $\overline{CAS}$  is deasserted before the end of the external access in order to meet the  $\overline{CAS}$  precharge timing.

**Note:** In all cases, DRAM access requires at least one wait state.

### 9.2.3.2 DRAM Out-of-Page Access

An out-of-page access consists of the following steps:

1. Deassertion of  $\overline{RAS}$
2. Assertion of the control signals ( $\overline{WR}/\overline{RD}$ )
3. After  $\overline{RAS}$  precharge time, the assertion of  $\overline{RAS}$ .  $\overline{RAS}$  assertion and  $\overline{CAS}$  timing depend on the number of out-of-page wait states selected by the BRW bits in the DCR.

## 9.3 Port A Disable

In applications sensitive to power consumption, Port A may not be required because the memory that is used resides in the processor. A special feature of the Port A controller allows you to reduce the power consumption significantly by setting the EBD bit in the Operating Mode Register (OMR) to disable the Port A controller. This causes the DSP56300 device to release the

bus (that is, deassert  $\overline{BR}$  and  $\overline{BL}$ , tri-state  $\overline{BB}$ , and ignore  $\overline{BG}$ ). With the controller disabled, no external DMA accesses or refresh accesses can be performed.

**Note:** To prevent improper operation when OMR[EBD] is set, do not access external memory, and always clear Refresh Enable (BREN—DCR[13]) to prevent any external DRAM refresh attempts.

## 9.4 Bus Handshake and Arbitration

Bus transactions are governed by a single bus master. Bus arbitration determines which device becomes the bus master. The arbitration logic implementation is system-dependent but must result in, at most, one device becoming the bus master (even if multiple devices request bus ownership). The arbitration signals permit simple implementation of a variety of bus arbitration schemes (for example, fairness, priority, and so on). The system designer must provide the external logic to implement the arbitration scheme.

## 9.5 Bus Arbitration Signals

There are three bus arbitration signals. Two of them ( $\overline{BR}$  and  $\overline{BG}$ ) are local arbitration signals between a potential bus master and the arbitration logic;  $\overline{BB}$  is a system arbitration signal:

- *Bus Request* ( $\overline{BR}$ ). Asserted by a device to request use of the bus; it is held asserted until the device no longer needs the bus. This includes time when it is the bus master as well as when it is not the bus master.
- *Bus Grant* ( $\overline{BG}$ ). Asserted by the bus arbitration controller to signal the requesting device that it is the bus master elect,  $\overline{BG}$  is valid only when the bus is not busy (that is,  $\overline{BB}$  is not asserted).
- *Bus Busy* ( $\overline{BB}$ ). This signal is driven by the current bus master and controls the hand-over of bus ownership by the bus master at the end of bus possession.  $\overline{BB}$  is an active pull-up signal (that is, it is driven high before release and then held high by an external pull-up resistor).

### 9.5.1 The Arbitration Protocol

The bus is arbitrated by a central bus arbiter, using individual request/grant lines to each bus master. The arbitration protocol can operate in parallel with bus transfer activity so that the bus can be handed over without much performance penalty. The arbitration sequence occurs as follows:

1. *Bus Requested by Device*. All candidates for bus ownership assert their respective  $\overline{BR}$  signals as soon as they need the bus.
2. *Bus Granted by Arbiter*. The arbitration logic designates a bus master-elect by asserting the  $\overline{BG}$  signal for that device.

3. *Bus Released by Current Master.* The master-elect tests  $\overline{BB}$  to ensure that the previous master has relinquished the bus. If  $\overline{BB}$  is deasserted, then the master-elect asserts  $\overline{BB}$ , which designates the device as the new bus master. If a higher priority bus request occurs before the  $\overline{BB}$  signal is deasserted, then the arbitration logic may replace the current master-elect with the higher priority candidate. However, only one  $\overline{BG}$  signal may be asserted at one time.
4. *Bus Control Assumed by New Master.* The new bus master begins its bus transfers after asserting  $\overline{BB}$ .
5. *Bus Grant Withdrawn by Arbiter.* The arbitration logic signals the new bus master to relinquish the bus by deasserting  $\overline{BG}$  at any time.
6. *Bus Released by Current Master.* A DSP56300 core bus master releases its ownership (drives  $\overline{BB}$  high and then releases the bus) after completing the current external bus access (except for the cases described in the following note). If an instruction is executing a read-modify-write external access, a DSP56300 core master asserts the  $\overline{BL}$  signal and only relinquishes the bus (and deasserts  $\overline{BL}$ ) after completing the entire read-modify-write sequence. When the current bus master releases  $\overline{BB}$ , it first drives the  $\overline{BB}$  signal high and then the  $\overline{BB}$  signal is held by the pull-up resistor. The next bus master-elect has received its  $\overline{BG}$  signal and is waiting for  $\overline{BB}$  to be deasserted before claiming ownership.

**Note:** The three packing accesses, the two accesses of a read-modify-write instruction (BSET, BCLR, BCHG), and the up-to-four fetch burst accesses are treated as one access from an arbitration point of view (that is, the bus mastership is not released during the execution of these accesses).

The DSP56300 core has two control bits (BRH and BLH) and one status bit (BBS), in the Bus Control Register (BCR), to permit software control of the  $\overline{BR}$  and  $\overline{BL}$  signals and to verify whether the device is the bus master. See **Section 9.6.2** for more information about the BCR.

- *Bus Request Hold (BRH) Bit.* If the BCR[BRH] bit is cleared, the DSP56300 core asserts its  $\overline{BR}$  signal only as long as requests for bus transfers are pending or being attempted. If the BCR[BRH] bit is set,  $\overline{BR}$  remains asserted.
- *Bus Lock Hold (BLH) Bit.* If the BCR[BLH] bit is cleared, the DSP56300 core asserts its  $\overline{BL}$  signal only during a read-modify-write bus access. If the BCR[BLH] is set,  $\overline{BL}$  remains asserted (even when not a bus master).
- *Bus State (BBS) Bit.* This read-only bit in the BCR is set when the DSP is the bus master and cleared when it is not.

The DSP56300 core uses the OMR[BRT] bit control bit to enable Fast or Slow Bus Release mode. In Fast Bus Release mode, all Port A pins are tri-stated in the same cycle. In Slow Bus Release mode an extra cycle is added and all Port A pins except  $\overline{BB}$  are released first. Only in the next cycle is  $\overline{BB}$  released. Therefore, in Slow Bus Release mode,  $\overline{BB}$  is guaranteed to be the last

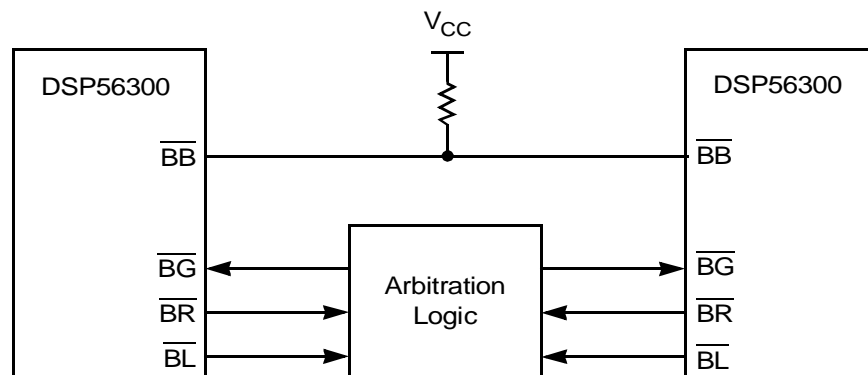


pin that is tri-stated. This may be useful in systems where a possibility for contention exists. A more detailed explanation (including timing diagrams) is provided in the appropriate technical data sheet.

**Note:** During the execution of WAIT and STOP instructions, the DSP56300 releases the bus (that is, deasserts  $\overline{BR}$  and  $\overline{BB}$ ), and ignores  $\overline{BG}$ .

## 9.5.2 Arbitration Scheme

Bus arbitration is implementation-dependent. **Figure 9-6** illustrates a common bus arbitration scheme. The arbitration logic determines device priorities and assigns bus ownership depending on those priorities. For example, an implementation may hold  $\overline{BG}$  asserted for the current bus owner if none of the other devices are requesting the bus. As a consequence, the current bus master may keep  $\overline{BB}$  asserted after ceasing bus activity, regardless of whether  $\overline{BR}$  is asserted or deasserted. This situation is called “bus parking” and allows the current bus master to use the bus repeatedly without re-arbitration until some other device requests the bus.



**Figure 9-6.** Example Bus Arbitration Scheme

## 9.5.3 Bus Arbitration Example Cases

The following paragraphs describe various bus arbitration examples.

### 9.5.3.1 Case 1, Normal

The  $\overline{BB}$  signal is high, indicating that no device is controlling the bus (that is, the bus is not busy). A device requests mastership by asserting  $\overline{BR}$ . The arbiter then asserts the  $\overline{BG}$  signal for the requesting devices. Since  $\overline{BB}$  is high, indicating that the bus is not busy, the requesting device asserts  $\overline{BB}$  and takes control of the bus.

### 9.5.3.2 Case 2, Bus Busy

The  $\overline{BB}$  signal is asserted indicating that a device is already the bus master. If a second device requests mastership by asserting  $\overline{BR}$ , the arbiter responds by asserting the  $\overline{BG}$  signal for the requesting device. However, since the bus is busy (that is,  $\overline{BB}$  is already asserted by the current

master), the requesting device cannot assert  $\overline{BB}$  until the current master drives  $\overline{BB}$  high to release the bus. After the first master drives  $\overline{BB}$  high, the requesting device can then assert  $\overline{BB}$  and take control of the bus.

### 9.5.3.3 Case 3, Low Priority

If multiple devices assert  $\overline{BR}$  at the same time, the arbiter grants the bus to the device with the highest priority. The arbiter withholds the assertion of  $\overline{BG}$  for a lower priority device until the  $\overline{BR}$  for the higher priority device is deasserted. The lower device cannot take control of the bus until the higher priority device deasserts  $\overline{BR}$ , the arbiter asserts  $\overline{BG}$  to the lower priority device, and the current master deasserts  $\overline{BB}$ .

### 9.5.3.4 Case 4, Default

The arbiter design may specify a default bus master. Such a design asserts  $\overline{BG}$  for the default device whenever no other device requests the bus. Thus, whenever  $\overline{BB}$  is deasserted (that is, the bus is not busy), the default device can take control of the bus by asserting  $\overline{BB}$  without asserting  $\overline{BR}$  first. As long as the bus arbiter leaves  $\overline{BG}$  asserted because no other requests are pending, then the default device continues to assert  $\overline{BB}$  and maintain its bus mastership. This condition is called bus parking and eliminates the need for the default bus master to re-arbitrate for the bus during its next external access.

### 9.5.3.5 Case 5, Bus Lock during Read-Modify-Write Instructions

Typically, if a device asserts  $\overline{BR}$  to request bus mastership and the arbiter then asserts  $\overline{BG}$  to the requesting device and  $\overline{BB}$  is deasserted (that is, the bus is not busy), then the requesting device asserts  $\overline{BB}$  and takes control of the bus. If the master device executes a read-modify-write instruction that accesses external memory, then  $\overline{BB}$  remains asserted until the entire read-modify-write instruction completes execution, even if the bus arbiter deasserts  $\overline{BG}$ . After the execution is complete, the device then drives  $\overline{BB}$  high thereby relinquishing the bus. In DSP56300 family devices in which it is implemented, the  $\overline{BL}$  signal can be used to ensure that a multi-port memory can only be written by one master at a time.

**Note:** During external read-modify-write instruction execution,  $\overline{BL}$  is asserted.

### 9.5.3.6 Case 6, Bus Parking

As described in **Section 9.5.3.4**, bus parking is a strategy that permits a device to take control of the bus without asserting  $\overline{BR}$ . In addition to designs which use a default bus master device, an arbiter design may allow the last bus master to retain control of the bus until mastership is requested by another device. In such a design, a device asserts  $\overline{BR}$  to request bus mastership and the arbiter responds by asserting  $\overline{BG}$  to the requesting device. When  $\overline{BB}$  is deasserted (that is, the bus is not busy), the requesting device asserts  $\overline{BB}$  to assume bus mastership. When the requesting device no longer requires the bus, it deasserts  $\overline{BR}$ , but if no other requests are pending, the bus

arbiter leaves  $\overline{BG}$  asserted and  $\overline{BB}$  remains asserted for that device (that is, the last device maintains its bus mastership). Thus, the last device to control the bus is parked on the bus. This eliminates the need for the last bus master to re-arbitrate for the bus during its next external access.

## 9.6 Port A Control

Port A control consists of four Address Attribute Registers (AAR[0–3]), the Bus Control Register (BCR), and the DRAM Control Register (DCR).

### 9.6.1 Address Attribute Registers (AAR[0–3])

The four Address Attribute Registers (AAR[0–3]) are 24-bit read/write registers that control the activity of the AA[0–3]/ $\overline{RAS}$ [0–3] pins. The associated AA<sub>n</sub>/ $\overline{RAS}$ <sub>n</sub> pin is asserted if the address defined by the BAC bits in the associated AAR matches the exact number of external address bits defined by BNC bits, and the external address space (X data, Y data, or program) is enabled by the AAR. All AARs are disabled (that is, all the AAR bits are cleared) during hardware reset. The AAR bits are shown in **Figure 9-7** and described in this section. All AAR bits are read/write control bits.

A priority mechanism to resolve selection conflicts exists among the four AAR control registers. AAR3 has the highest priority and AAR0 has the lowest priority (for example, if the external address matches the address and the space that is specified is in both AAR1 and AAR2, the external access type is selected according to AAR2). The priority mechanism allows continuous partitioning of the external address space.

When a selection conflict occurs, that is the external address matches the address and the space that is specified in more than one AAR, the assertion of the lower priority AA/ $\overline{RAS}$  pin(s) is programmable. When the OMR[APD] bit is cleared (see **Chapter 6, PLL and Clock Generator**), only one AA/ $\overline{RAS}$  pin of higher priority is asserted. When the OMR[APD] bit is set, the lower priority AA/ $\overline{RAS}$  pin(s) are asserted in addition to the highest priority AA/ $\overline{RAS}$  pin. The AAR of higher priority defines the external memory access type (memory type, wait states, and so on). The lower-priority AA/ $\overline{RAS}$  pin(s) associated with DRAM memory type (BAT[1–0]) = 10) are not activated. This allows glueless support of Long Move (move L:) instruction to/from external memory as shown in **Figure 9-7**.

23	22	21	20	19	18	17	16	15	14	13	12
BAC11	BAC10	BAC9	BAC8	BAC7	BAC6	BAC5	BAC4	BAC3	BAC2	BAC1	BAC0
11	10	9	8	7	6	5	4	3	2	1	0
BNC3	BNC2	BNC1	BNC0	BPAC	BAM	BYEN	BXEN	BPEN	BAAP	BAT1	BAT0

**Figure 9-7.** Address Attribute Registers (AAR[0–3])

Table 9-4. AAR Bit Definitions

Bit Number	Bit Name	Reset Value	Description
23–12	BAC[11–0]	0	<p><b>Bus Address to Compare</b>            Defines the upper 12 bits of the 24-bit address with which to compare the external address to decide whether to assert the corresponding AA/RAS signal. This is also true when 16-bit compatibility mode is in use. The BNC[3–0] bits define the number of address bits to compare.</p>
11–8	BNC[3–0]	0	<p><b>Bus Number of Address Bits to Compare</b>            Defines the number of bits (from the BAC bits) that are compared to the external address. The BAC bits are always compared to the Most Significant Portion of the external address (for example, if BNC[3–0] = 0011, then the BAC[11–9] bits are compared to the 3 MSBs of the external address). If no bits are specified (that is, BNC[3–0] = 0000), the AA signal is activated for the entire 16 M words space identified by the space enable bits (BPEN, BXEN, BYEN), but only when the address is external to the internal memory map. The combinations BNC[3–0] = 1111, 1110, 1101 are reserved.</p>
7	BPAC	0	<p><b>Bus Packing Enable</b>            Defines whether the internal packing/unpacking logic is enabled. When the BPAC bit is set, packing is enabled. In this mode each DMA external access initiates three external accesses to 8-bit wide external memory (the addresses for these accesses are DAB, then DAB + 1 and then DAB + 2). Packing to a 24-bit word (or unpacking from a 24-bit word to three 8-bit words) is done automatically by the expansion port control hardware. The external memory should reside in the eight Least Significant Bits (LSBs) of the external data bus, and the packing (or unpacking for external write accesses) is done in “Little Endian” order (that is, the low byte is stored in the lowest of the three memory locations and is transferred first; the middle byte is stored/transferred next; and the high byte is stored/transferred last). When this bit is cleared, the expansion port control logic assumes a 24-bit wide external memory.</p> <p>NOTE: The BPAC bit is used only for DMA accesses and not core accesses. To ensure sequential external accesses, the DMA address should advance three steps at a time in two-dimensional mode with a row length of one and an offset size of three. For details, see Freescale application note, APR23/D, <i>Using the DSP56300 Direct Memory Access Controller</i>.</p> <p>To prevent improper operation, DMA address + 1 and DMA address + 2 should not cross the AAR bank borders.</p> <p>Arbitration is not allowed during the packing access (that is, the three accesses are treated as one access with respect to arbitration, and bus mastership is not released during these accesses)</p>

Table 9-4. AAR Bit Definitions (Continued)

Bit Number	Bit Name	Reset Value	Description
6	BAM	0	<p><b>Bus Address Multiplexing</b>            Defines whether the eight LSBs of the address appear on address lines A0–A7 (Least Significant Portion of the external address bus) or on address lines A16–A23 (Most Significant Portion of the external address bus). When BAM is set, the eight LSBs appear on address lines A16–A23. When BAM is cleared, the eight LSBs appear normally on address lines A0–A7. This feature enables you to connect an external peripheral to the MSBs of the address, thus decreasing the load on the Least Significant Portion of the external address and enabling a more efficient interface to external memories. BAM is ignored during DRAM access (BAT[1–0] = 10).</p> <p>NOTE: The BAM bit has no effect in DSP56300 core devices with only eighteen address lines.</p>
5	BYEN	0	<p><b>Bus Y Data Memory Enable</b>            Defines whether the AA/RAS pin and logic should be activated during external Y data space accesses. When set, BYEN enables the comparison of the external address to the BAC bits during external Y data space accesses. If BYEN is cleared, no address comparison is performed during external Y data space accesses.</p>
4	BXEN	0	<p><b>Bus X Data Memory Enable</b>            Defines whether the AA/RAS pin and logic should be activated during external X data space accesses. When set, BXEN enables the comparison of the external address to the BAC bits during external X data space accesses. If BXEN is cleared, no address comparison is performed during external X data space accesses.</p>
3	BPEN	0	<p><b>Bus Program Memory Enable</b>            Defines whether or not the AA/RAS pin and logic should be activated during external program space accesses. When set, BPEN enables the comparison of the external address to the BAC bits during external program space accesses. If BPEN is cleared, no address comparison is performed during external program space accesses.</p>
2	BAAP	0	<p><b>Bus Address Attribute Polarity</b>            Defines whether the AA/RAS signal is active low or active high. When BAAP is cleared, the AA/RAS signal is active low (useful for enabling memory modules or for DRAM Row Address Strobe). If BAAP is set, the appropriate AA/RAS signal is active high (useful as an additional address bit).</p>

**Table 9-4.** AAR Bit Definitions (Continued)

Bit Number	Bit Name	Reset Value	Description
1-0	BAT[1-0]	0	<p><b>Bus Access Type</b>            Define the type of external memory (DRAM or SRAM) to access for the area defined by the BAC[11-0], BYEN, BXEN, and BPEN bits. The encoding of BAT[1-0] is:            00 = Reserved            01 = SRAM access            10 = DRAM access            11 = Reserved</p> <p>When the external access type is defined as DRAM access (BAT[1-0] = 10), AA/<math>\overline{\text{RAS}}</math> acts as a Row Address Strobe (<math>\overline{\text{RAS}}</math>) signal. Otherwise, it acts as an Address Attribute signal. External accesses to the default area are always executed as if BAT[1-0] = 01 (that is, SRAM access).</p> <p>NOTE: If Port A is used for external accesses, the BAT bits in AAR[0-3] must be initialized to the SRAM access type (that is, BAT = 01) or to the DRAM access type (that is, BAT = 10). To ensure proper operation of Port A, this initialization must occur even for an AAR register that is not used during a Port A access. At reset the BAT bits are initialized to 00.</p>

## 9.6.2 Bus Control Register

The Bus Control Register (BCR), depicted in **Figure 9-8**, is a 24-bit read/write register that controls the external bus activity and Bus Interface Unit operation. All BCR bits except bit 21, BBS, are read/write bits. The BCR bits are defined in **Table 9-5**.

23	22	21	20	19	18	17	16	15	14	13	12
BRH	BLH	BBS	BDFW4	BDFW3	BDFW2	BDFW1	BDFW0	BA3W2	BA3W1	BA3W0	BA2W2
11	10	9	8	7	6	5	4	3	2	1	0
BA2W1	BA2W0	BA1W4	BA1W3	BA1W2	BA1W1	BA1W0	BA0W4	BA0W3	BA0W2	BA0W1	BA0W0

**Figure 9-8.** Bus Control Register (BCR)

**Table 9-5.** Bus Control Register (BCR) Bit Definitions

Bit Number	Bit Name	Reset Value	Description
23	BRH	0	<b>Bus Request Hold</b> Asserts the $\overline{BR}$ signal, even if no external access is needed. When BRH is set, the $\overline{BR}$ signal is always asserted. If BRH is cleared, the $\overline{BR}$ is asserted only if an external access is attempted or pending.
22	BLH	0	<b>Bus Lock Hold</b> Asserts the $\overline{BL}$ signal, even if no read-modify-write access is occurring. When BLH is set, the $\overline{BL}$ signal is always asserted. If BLH is cleared, the $\overline{BL}$ signal is asserted only if a read-modify-write external access is attempted.  <b>Note:</b> Not all devices in the DSP56300 family support this bit.
21	BBS	0	<b>Bus State</b> This read-only bit is set when the DSP is the bus master and is cleared otherwise.
20–16	BDFW[4–0]	11111 (31 wait states)	<b>Bus Default Area Wait State Control</b> Defines the number of wait states (one through 31) inserted into each external access to an area that is not defined by any of the AAR registers. The access type for this area is SRAM only. These bits should not be programmed as zero since SRAM memory access requires at least one wait state.  When four through seven wait states are selected, one additional wait state is inserted at the end of the access. When selecting eight or more wait states, two additional wait states are inserted at the end of the access. These trailing wait states increase the data hold time and the memory release time and do not increase the memory access time.  <b>Note:</b> For the DSP56321 device, when three through seven wait states are selected, one additional wait state is inserted at the end of the access.

**Table 9-5. Bus Control Register (BCR) Bit Definitions (Continued)**

Bit Number	Bit Name	Reset Value	Description
15–13	BA3W[2–0]	1 (7 wait states)	<p><b>Bus Area 3 Wait State Control</b> Defines the number of wait states (one through seven) inserted in each external SRAM access to Area 3 (DRAM accesses are not affected by these bits). Area 3 is the area defined by AAR3.</p> <p><b>Note:</b> Do not program the value of these bits as zero since SRAM memory access requires at least one wait state.</p> <p>When four through seven wait states are selected, one additional wait state is inserted at the end of the access. This trailing wait state increases the data hold time and the memory release time and does not increase the memory access time.</p> <p><b>Note:</b> For the DSP56321 device, when three through seven wait states are selected, one additional wait state is inserted at the end of the access.</p>
12–10	BA2W[2–0]	111 (7 wait states)	<p><b>Bus Area 2 Wait State Control</b> Defines the number of wait states (one through seven) inserted into each external SRAM access to Area 2 (DRAM accesses are not affected by these bits). Area 2 is the area defined by AAR2.</p> <p><b>Note:</b> Do not program the value of these bits as zero, since SRAM memory access requires at least one wait state.</p> <p>When four through seven wait states are selected, one additional wait state is inserted at the end of the access. This trailing wait state increases the data hold time and the memory release time and does not increase the memory access time.</p> <p><b>Note:</b> For the DSP56321 device, when three through seven wait states are selected, one additional wait state is inserted at the end of the access.</p>
9–5	BA1W[4–0]	11111 (31 wait states)	<p><b>Bus Area 1 Wait State Control</b> Defines the number of wait states (one through 31) inserted into each external SRAM access to Area 1 (DRAM accesses are not affected by these bits). Area 1 is the area defined by AAR1.</p> <p><b>Note:</b> Do not program the value of these bits as zero, since SRAM memory access requires at least one wait state.</p> <p>When four through seven wait states are selected, one additional wait state is inserted at the end of the access. When selecting eight or more wait states, two additional wait states are inserted at the end of the access. These trailing wait states increase the data hold time and the memory release time and do not increase the memory access time.</p> <p><b>Note:</b> For the DSP56321 device, when three through seven wait states are selected, one additional wait state is inserted at the end of the access.</p>



**Table 9-5.** Bus Control Register (BCR) Bit Definitions (Continued)

Bit Number	Bit Name	Reset Value	Description
4–0	BA0W[4–0]	11111 (31 wait states)	<p><b>Bus Area 0 Wait State Control</b> Defines the number of wait states (one through 31) inserted in each external SRAM access to Area 0 (DRAM accesses are not affected by these bits). Area 0 is the area defined by AAR0.</p> <p><b>Note:</b> Do not program the value of these bits as zero, since SRAM memory access requires at least one wait state.</p> <p>When selecting four through seven wait states, one additional wait state is inserted at the end of the access. When selecting eight or more wait states, two additional wait states are inserted at the end of the access. These trailing wait states increase the data hold time and the memory release time and do not increase the memory access time.</p> <p><b>Note:</b> For the DSP56321 device, when three through seven wait states are selected, one additional wait state is inserted at the end of the access.</p>


### 9.6.3 DRAM Control Register

**Note:** DSP56300 devices do not support the DRAM interface above 100 MHz. The DSP56321 does not support DRAM at any frequency.

The DRAM controller is an efficient interface to dynamic RAM devices in both random read/write cycles and Fast Access mode (Page mode). An on-chip DRAM controller controls the page hit circuit, the address multiplexing (row address and column address), the control signal generation ( $\overline{\text{CAS}}$  and  $\overline{\text{RAS}}$ ) and the refresh access generation ( $\overline{\text{CAS}}$  before  $\overline{\text{RAS}}$ ) for a variety of DRAM module sizes and access times. The on-chip DRAM controller configuration is determined by the DRAM Control Register (DCR). The DRAM Control Register (DCR) is a 24-bit read/write register that controls and configures the external DRAM accesses. The DCR bits are shown in **Figure 9-9**.

**Note:** To prevent improper device operation, you must guarantee that all the DCR bits except BSTR are not changed during a DRAM access.

23	22	21	20	19	18	17	16	15	14	13	12
BRP	BRF7	BRF6	BRF5	BRF4	BRF3	BRF2	BRF1	BRF0	BSTR	BREN	BME
11	10	9	8	7	6	5	4	3	2	1	0
BPLE		BPS1	BPS0					BRW1	BRW0	BCW1	BCW0

 Reserved bit. Read as zero; write to zero for future compatibility

**Figure 9-9.** DRAM Control Register (DCR)

Table 9-6. DRAM Control Register (DCR) Bit Definitions

Bit Number	Bit Name	Reset Value	Description
23	BRP	0	<p><b>Bus Refresh Prescaler</b></p> <p>Controls a prescaler in series with the refresh clock divider. If BRP is set, a divide-by-64 prescaler is connected in series with the refresh clock divider. If BRP is cleared, the prescaler is bypassed. The refresh request rate (in clock cycles) is the value written to BRF[7–0] bits + 1, multiplied by 64 (if BRP is set) or by one (if BRP is cleared).</p> <p><b>Note:</b> Refresh requests are not accumulated and, therefore, in a fast refresh request rate not all the refresh requests are served (for example, the combination BRF[7–0] = \$00 and BRP = 0 generates a refresh request every clock cycle, but a refresh access takes at least five clock cycles).</p> <p>When programming the periodic refresh rate, you must consider the <math>\overline{\text{RAS}}</math> time-out period. Hardware support for the RAS time-out restriction does not exist.</p>
22–15	BRF[7–0]	0	<p><b>Bus Refresh Rate</b></p> <p>Controls the refresh request rate. The BRF[7–0] bits specify a divide rate of 1–256 (BRF[7–0] = \$00–\$FF). A refresh request is generated each time the refresh counter reaches zero if the refresh counter is enabled (BRE = 1).</p>
14	BSTR	0	<p><b>Bus Software Triggered Reset</b></p> <p>Generates a software-triggered refresh request. When BSTR is set, a refresh request is generated and a refresh access is executed to all DRAM banks (the exact timing of the refresh access depends on the pending external accesses and the status of the BME bit). After the refresh access (<math>\overline{\text{CAS}}</math> before <math>\overline{\text{RAS}}</math>) is executed, the DRAM controller hardware clears the BSTR bit. The refresh cycle length depends on the BRW[1–0] bits (a refresh access is as long as the out-of-page access).</p>
13	BREN	0	<p><b>Bus Refresh Enable</b></p> <p>Enables/disables the internal refresh counter. When BREN is set, the refresh counter is enabled and a refresh request (CAS before RAS) is generated each time the refresh counter reaches zero. A refresh cycle occurs for all DRAM banks together (that is, all pins that are defined as <math>\overline{\text{RAS}}</math> are asserted together). When this bit is cleared, the refresh counter is disabled and a refresh request may be software triggered by using the BSTR bit.</p> <p>In a system in which DSPs share the same DRAM, the DRAM controller of more than one DSP may be active, but it is recommended that only one DSP have its BREN bit set and that bus mastership is requested for a refresh access.</p> <p>If BREN is set and a WAIT instruction is executed, periodic refresh is still generated each time the refresh counter reaches zero.</p> <p>If BREN is set and a STOP instruction is executed, periodic refresh is not generated and the refresh counter is disabled. The contents of the DRAM are lost.</p>

Table 9-6. DRAM Control Register (DCR) Bit Definitions (Continued)

Bit Number	Bit Name	Reset Value	Description
12	BME	0	<b>Bus Mastership Enable</b> Enables/disables interface to a local DRAM for the DSP. When BME is cleared, the $\overline{\text{RAS}}$ and $\overline{\text{CAS}}$ pins are tri-stated when mastership is lost. Therefore, you must connect an external pull-up resistor to these pins. In this case (BME = 0), the DSP DRAM controller assumes a page fault each time the mastership is lost. A DRAM refresh requires a bus mastership. If the BME bit is set, the RAS and CAS pins are always driven from the DSP. Therefore, DRAM refresh can be performed, even if the DSP is not the bus master.
11	BPLE	0	<b>Bus Page Logic Enable</b> Enables/disables the in-page identifying logic. When BPLE is set, it enables the page logic (the page size is defined by BPS[1–0] bits). Each in-page identification causes the DRAM controller to drive only the column address (and the associated $\overline{\text{CAS}}$ signal). When BPLE is cleared, the page logic is disabled, and the DRAM controller always accesses the external DRAM in out-of-page accesses (for example, row address with $\overline{\text{RAS}}$ assertion and then column address with CAS assertion). This mode is useful for low power dissipation. Only one in-page identifying logic exists. Therefore, during switches from one DRAM external bank to another DRAM bank (the DRAM external banks are defined by the access type bits in the AARs, different external banks are accessed through different AA/ $\overline{\text{RAS}}$ pins), a page fault occurs.
10		0	Reserved. Write to zero for future compatibility.
9–8	BPS[1–0]	0	<b>Bus DRAM Page Size</b> Defines the size of the external DRAM page and thus the number of the column address bits. The internal page mechanism works according to these bits only if the page logic is enabled (by the BPLE bit). The four combinations of BPS[1–0] enable the use of many DRAM sizes (1 M bit, 4 M bit, 16 M bit, and 64 M bit). The encoding of BPS[1–0] is:  00 = 9-bit column width, 512 words 01 = 10-bit column width, 1 K words 10 = 11-bit column width, 2 K words 11 = 12-bit column width, 4 K words  When the row address is driven, all 24 bits of the external address bus are driven [for example, if BPS[1–0] = 01, when driving the row address, the 14 MSBs of the internal address (XAB, YAB, PAB, or DAB) are driven on address lines A[0–13], and the address lines A[14–23] are driven with the 10 MSBs of the internal address. This method enables the use of different DRAMs with the same page size.
7–4		0	Reserved. Write to zero for future compatibility.
3–2	BRW[1–0]	0	<b>Bus Row Out-of-page Wait States</b> Defines the number of wait states that should be inserted into each DRAM out-of-page access. The encoding of BRW[1–0] is:  00 = 4 wait states for each out-of-page access 01 = 8 wait states for each out-of-page access 10 = 11 wait states for each out-of-page access 11 = 15 wait states for each out-of-page access

**Table 9-6.** DRAM Control Register (DCR) Bit Definitions (Continued)

Bit Number	Bit Name	Reset Value	Description
1–0	BCW[1–0]	0	<p><b>Bus Column In-Page Wait State</b>            Defines the number of wait states to insert for each DRAM in-page access. The encoding of BCW[1–0] is:</p> <p>00 = 1 wait state for each in-page access            01 = 2 wait states for each in-page access            10 = 3 wait states for each in-page access            11 = 4 wait states for each in-page access</p>

# DMA Controller

Direct memory access (DMA) is one of several methods for coordinating the timing of data transfers between an input/output (I/O) device and the core processing unit or memory in a computer. DMA is one of the faster types of synchronization mechanisms, generally providing significant improvement over interrupts, in terms of both latency and throughput. An I/O device often operates at a much slower speed than the core.<sup>2</sup> DMA allows the I/O device to access the memory directly, without using the core. DMA can lead to a significant improvement in performance because data movement is one of the most common operations performed in processing applications. There are several advantages of using DMA, rather than the core, in the DSP56300 family:

- DMA saves core MIPS because the core can operate in parallel.
- DMA saves power because it requires less circuitry than the core to move data.
- DMA saves pointers because core AGU pointer registers are not needed.
- DMA has no modulo block size restrictions, unlike the core AGU.

Traditionally, DMA uses the same internal address and data buses as the core. Consequently, when DMA performs one or more word transfers, it can temporarily cause the core to halt activity for one or more cycles while the DMA controller moves the data. The core and the DMA controller cannot both perform data moves in the same core clock cycle. To overcome data movement restrictions imposed by sharing resources with the core, the DMA system in the DSP56300 family contains its own dedicated internal address and data buses. Internal memory is partitioned so that the program control unit (PCU) and DMA controller can both perform internal memory accesses in the same core clock cycle, as long they access different memory partitions. Also, if one of these two controllers accesses internal memory, the other controller can perform an external memory access in the same core clock cycle.

In addition to data moves between I/O and internal or external memory, the DMA in the DSP56300 can perform memory-to-memory transfers (internal, external, or mixed).

**Table 10-1** summarizes by source/destination type the various types of data transfers that the DMA controller can perform.

---

2. The term “core” has a special meaning when described in the context of DMA. Technically, the DSP56300 core contains all circuitry that is common to all devices in the DSP56300 family, including the DMA controller and buses. However, in the context of DMA, the core actions referred to are those caused by data movement instructions executed by the PCU, not data movement performed by the DMA controller.

**Table 10-1.** DMA Controller Data Transfers

Type of Transfer		Clock Cycles per Single Word Transfer <sup>1</sup>
Internal Memory	→ Internal Memory	2
External Memory	↔ Internal Memory	2 + wait states
External Memory	→ External Memory <sup>2</sup>	2 + wait states
Internal Memory	↔ Internal I/O	2
External Memory	↔ Internal I/O	2 + wait states
Internal I/O	→ Internal I/O	2
<b>Notes:</b> 1. Data transfer for one channel takes a minimum of two clock cycles per single word. 2. External memory includes external I/O.		

The DMA unit contains the necessary counters, offset registers, and pointers to transparently handle one-, two-, and three-dimensional data matrix transfers. These registers can be given values that result in special addressing modes, for example, access to circular buffers and linear buffers with non-unit stride. The data structure dimensionality can be chosen independently for the source access versus the destination access involved in the data move. The DSP56300 contains six DMA channels that share buses and offset registers but are otherwise independent. Each DMA channel can be triggered by interrupt pins, peripheral actions, or other DMA events, and assigned a priority relative to other channels and relative to the core. Each of the six DMA channels contains its own set of four operational registers, all of which are memory-mapped in the internal I/O memory space and all of which are 24-bit registers:

- *DMA Source Address Register (DSR)*. A read/write register that contains the source address for the next DMA transfer for its channel. Each DMA channel has one DSR: DSR0, DSR1, DSR2, DSR3, DSR4, and DSR5.
- *DMA Destination Address Register (DDR)*. A read/write register that contains the destination address for the next DMA transfer for its channel. Each DMA channel has one DDR: DDR0, DDR1, DDR2, DDR3, DDR4, and DDR5.
- *DMA Counter (DCO)*. A read/write register that contains the number of DMA data transfers to be performed by its channel. The DCO has five modes of operation determined by the DMA channel Address Generation mode defined in the DMA channel's Control Register. Each DMA channel has one DCO: DCO0, DCO1, DCO2, DCO3, DCO4, and DCO5.
- *DMA Control Register (DCR)*. A read/write register that controls the operation of a DMA channel. Each DMA channel has one DCR: DCR0, DCR1, DCR2, DCR3, DCR4 and DCR5.

The DMA Controller also has supporting 24-bit registers available to all the DMA channels:

- *DMA Offset Register (DOR)*. Each DOR is a read/write register that contains the offset value to be used in some of the DMA addressing modes. The DMA controller has four common offset registers (DOR0, DOR1, DOR2, and DOR3) that can be used by all the channels according to their Address Generation mode.
- *DMA Status Register (DSTR)*. This read-only register reflects the overall operating status of all channels in the DMA Controller.

In summary, the DSP56300 DMA can perform I/O and memory accesses that are independent of and frequently simultaneous with PCU operations. The DMA controller can transfer memory-to-memory and handle mixed multi-dimensional and special address mode transfers. DMA contains six highly independent channels with separate priorities and multiple trigger choices. These capabilities significantly enhance code performance.

## 10.1 DMA Operational Overview

The following subsections describe how the DSP56300 DMA operates. These subsections are organized by function, rather than by event sequence. The DMA register description section contains detailed operational information.

### 10.1.1 Basic Address Modes

The DSP56300 DMA controller can deal with the following basic types of data structures:

- *Constant Addressing*. Uses a single address throughout the data transfer. Typically this is used by I/O devices that use a single address to transfer information.
- *One-dimensional*. A matrix consisting of one item or a “line” of items in consecutive memory locations.
- *Two-dimensional*. A matrix or table that is stored in row-column order with equal spacing in memory between each row or line.
- *Three-dimensional*. A matrix or collection of tables that are equally spaced in memory.

The type of data structure is specified in the counter mode for the DMA channel. The counter mode divides a given 24-bit counter register into one or more sections, one for each dimension used. The appropriate counter fields either decrement or reload each time the DMA transfers a data word. A counter field is reloaded with its initial value after that field is decremented to zero. For details on counter operation, see **Section 10.5.3, DMA Counters (DCO[5–0])**, on page 10-9. Once all fields in the counter are exhausted, one or more data moves are performed and all words, lines, and tables are transferred. The total collection of data moved is called the “block.” Exhaustion of the entire counter results in a single “block transfer.” The automatic counter register updates are directly performed on the user-visible counter register. In other words, the counter register is used for both the count load/reload function and the count decrement function.

## 10.1.2 Special Address Modes

The counter and offset registers can be loaded with special values to produce variants of the basic addressing modes. Some examples covered in more detail in later sections include:

- *Circular buffer.* Use a two-dimensional counter and a negative offset that wraps back to the buffer start address.
- *Linear buffer with non-unit stride.* Use a two-dimensional counter with one word per row. This method must be used with byte packing, which has a stride of three.
- *A larger-than-normal field width in a two-dimensional counter.* Concatenate two fields in a three-dimensional counter by specifying an offset value of one between them.

## 10.1.3 Unmatched Source and Destination Dimensions

The source and destination data structures can have different dimensions. The data structure with the largest dimension is read or written once during the block transfer; the data structure with the smaller dimension can be written or read repeatedly. For this situation, a single counter register handles both sides of the transfer. The high-dimension (three-dimensional or two-dimensional) side of the transfer determines the counter mode and thus the number of available counter fields. Each “tick” of the counter counts one word transfer; that is, one source read and one destination write. The data structure on the low-dimension side of the transfer is fully described by a right-justified subset of the counter—the number of counter fields being the same as its dimension (two-dimensional or one-dimensional). This data structure access is repeated (using the exact same addressing sequence) the number of times specified by the upper field(s) of the counter. The pointer wraparound back to the beginning of this data structure is accomplished using a negative offset register value, similar to a circular buffer.

## 10.1.4 DMA Triggers (Request Sources)

Data movement in by a particular DMA channel is initiated by either a hardware or a software trigger. Following is an example list of some of the hardware and software DMA triggers, also known as DMA request sources. Peripheral triggers are device-dependent. A DMA channel can be configured for triggering by only one source at a time.

- Hardware triggers
  - External interrupt pins ( $\overline{\text{IRQ}}[\text{A-D}]$ )
  - DMA channel block transfer completion (by this or a different DMA channel)
  - Peripheral status bits
    - Receiver has new datum to be read by the DMA controller
    - Transmitter needs new datum from the DMA controller
    - Timer compare event
- Software triggers
  - DMA enable bit for this DMA channel



A peripheral status bit that triggers an enabled DMA transfer also typically can trigger an enabled peripheral interrupt. The DMA transfer is triggered by the status bit change, not by the peripheral interrupt event, and the DMA transfer occurs whether or not the peripheral interrupt is enabled. Furthermore, avoid triggering a DMA transfer and a peripheral interrupt from the same event; this can result in a lack of coordination regarding resources and status bit changes.

### 10.1.5 Transfer Mode

When a DMA channel is enabled and receives a trigger from its configured trigger source, it begins moving data as soon as the needed resources become available (for example, internal DMA buses and memory locations). As a result of the trigger event, the channel transfers either all or a subset of the block (this is configurable). The amount of data that is transferred in response to each trigger event is determined by the DMA transfer mode. Besides the trigger data structure, the transfer mode also selects either a hardware or software trigger, and automatic block repeat enable. The available transfer modes are single word, line, and block. Typically, a DMA channel used in conjunction with a peripheral operates in a single word transfer mode (triggered by a receiver full or transmitter empty condition).

## 10.2 Timing (Core Clock Cycles)

This section describes the timing of core and DMA data transfers in the context of integral core clock cycle counts. When the needed resources are available, each word transfer performed by the DMA takes at least two core clock cycles:

- Source read (at least one cycle)
- Destination write (at least one cycle)

Any wait states incurred during external memory accesses are added to the DMA word transfer time (for external source and/or destination). Some peripherals (generally those using first-in-first-out (FIFO) for data transfer) may act as “fast DMA request sources.” These peripherals can trigger a new DMA request as often as every two core clock cycles, thereby using the DMA at its maximum throughput rate with zero overhead time.

### 10.2.1 Non-Overlap Between DMA Channels

Data movement can never be performed by more than one DMA channel within a given core clock cycle. For example, it is not possible for Channel 1 to commence its source read before Channel 0 completes its destination write. This non-overlap limitation exists for all situations, including the following cases:

- One channel needs to read (write) from external memory, and another channel needs to write (read) to internal memory.
- One of the DMA channels is waiting on the Bus Interface Unit (BIU) for an external access to complete, and the BIU is in turn waiting because of:

- Static wait states (determined by Bus Control Register)
- Dynamic wait states (controlled by  $\overline{TA}$  pin)
- Byte packing

This limitation is necessary because there is only one internal DMA address bus and one internal DMA data bus. The internal DMA buses are in use by a DMA channel even during the external memory access phase of the DMA word transfer. Although channel overlap during DMA channel transfers cannot exist, zero overhead between two DMA channel transfers can exist. Once the word transfer performed by a DMA channel is completed, another DMA channel can begin data movement in the very next core clock cycle—if the second DMA channel has already been triggered and is not being delayed by contention or priority issues.

## 10.2.2 Overlap between DMA Channel and Core

Since the core and DMA use separate address and data buses, both can perform data movement in a given core clock cycle. This overlap of data movement can occur for the following cases:

- The core is accessing internal memory while DMA is accessing a different internal memory partition:
  - RAM: 1/4 K words partition size (this size is device-dependent)
  - ROM: 2, 3, or 4 K words device-specific partition size

If the core and DMA try to access the same internal memory partition, the core has priority and DMA is delayed.

- The core is accessing internal (external) memory while DMA is accessing external (internal) memory

## 10.3 Channel Priority

DMA channel priority determines if and when a DMA channel can be interrupted during a block transfer. An interruption occurs between word transfers. The current DMA word transfer is allowed to complete before the core or another DMA channel can take control of the resource that is under contention. The DMA channel priority arbitration occurs for each DMA word transfer; only enabled and already triggered channels can take part in this arbitration.

### 10.3.1 Priority Between DMA Channels

Each DMA channel can be independently assigned one of four possible priority levels. The treatment of priorities is as follows:

- Channels with different priorities:
  - A higher-priority DMA channel can interrupt a lower-priority DMA channel and complete its block transfer before control transfers back to the lower-priority channel.
- Channels with the same priority, one of two different modes can be selected:

- Continuous mode: A DMA channel cannot interrupt another DMA channel of the same priority.
- Non-continuous mode: Control is transferred in a round-robin fashion between each channel of the same priority. Each channel transfers one word before control transfers to the next channel in this group.

DMA channels cannot interrupt each other in the middle of word transfers, regardless of their relative priorities. A word transfer made by one DMA channel must finish before another DMA channel can commence a word transfer.

### 10.3.2 Priority Between a DMA Channel and the Core

If the core and a DMA channel are both contending for the same partition of internal memory, but neither has begun the word transfer, the core always takes precedence. The DMA channel must wait until the core is not accessing this memory partition for at least one core clock cycle before it can begin to access the partition.

If the DMA channel and the core are each attempting to access a different internal memory partition in RAM or ROM, no contention exists. In this case, the accesses can be made simultaneously (data movement can occur in both of these data paths in a given core clock cycle). If the core and a DMA channel are both contending to make an external memory access, the prioritizing between that channel and the core is performed according to one of two selectable modes:

- *Static DMA/Core Prioritizing mode*—The core priority is configured to have a constant fixed relationship with the DMA priority, regardless of which DMA channel is considered. The core priority is set to be either lower, equal, or greater than that of the DMA. The individual DMA channels have equal priority when compared to the core, although they may still have unequal priorities when compared to each other. This mode is set using bits CDP[1–0] of the Operating Mode Register.
- *Dynamic DMA/Core Prioritizing mode*—The priority of each DMA channel is individually compared with that of the core. The DMA channel priority setting used for comparison with other DMA channels is also used for comparison with the core. This mode is set using bits CP[1–0] of the Status Register.

**Note:** Even though DMA and the core have separate address and data buses, there is only one external address and data bus.

The core cannot interrupt a DMA channel in the middle of a word transfer to or from a contended resource (an internal memory partition, or external memory), regardless of the core/DMA relative priority. If the DMA channel is already performing an access to the resource, the core must wait until the current DMA word transfer finishes accessing the resource before the core can access that resource. The core may have to wait for the entire DMA word transfer to complete, or it may have to wait only for the DMA source read to complete. This depends on the destination address

of the DMA channel. If the destination of the DMA word transfer is not in the contended resource, then the core can proceed with its access to the resource while the DMA performs its destination write somewhere else.

## 10.4 Special Uses of DMA With the Bus Interface Unit

The following subsections describe Bus Interface Unit (BIU) operations that can only be performed using DMA.

### 10.4.1 Byte Packing

Byte packing is used when the 24-bit data width DSP core interfaces with an 8-bit wide external memory device. Byte packing can be performed only in conjunction with a DMA data move.<sup>3</sup> When the DMA channel attempts to read a word from the external memory, it expects a 24-bit value. In accordance with the DMA read, the BIU reads three consecutive bytes from the memory, packs them into one 24-bit word, and then passes this word to the DMA. A reverse sequence occurs for a DMA write to the external memory. The BIU takes the 24-bit word from the DMA channel, unpacks it, and writes it as three consecutive bytes, to the external memory. For both read and write, the DMA views each 24-bit word transfer as a single external access. However, the byte packing operation is not completely transparent to the DMA. To read or write several 24-bit words to or from consecutive locations in the 8-bit memory, the DMA must be programmed to either increase or decrease its external memory address pointer by three for each 24-bit transfer.

#### 10.4.1.1 DRAM In-Page Accesses using DMA

When a DMA channel handles several consecutive in-page DRAM word accesses, a special situation can occur if an in-page access is interrupted by an external memory access initiated either by the core or a different DMA channel. The interrupting operation could be a higher-priority access to external SRAM. After the interrupting operation uses the BIU, the original DMA channel can resume reading or writing the DRAM without losing in-page access. This can occur as long as all in-page access conditions (described in **Chapter 9**, *External Memory Interface (Port A)*) remain satisfied.

#### 10.4.1.2 End-of-Block-Transfer Interrupt

Upon completion of a block transfer by a DMA channel, an optional end-of-block-transfer DMA interrupt can be generated. The interrupt service routine (ISR) called by such an interrupt can perform any functions needed at this time. For example, the ISR could reconfigure the DMA channel for the next data block transfer or restart the DMA channel (if it is used in a transfer mode for which no automatic restart is available). Do not confuse an end-of-block-transfer DMA

---

3. See the Port A Address Attribute Register description in **Chapter 9**, *External Memory Interface (Port A)*, and the Freescale application report, APR23/D, *Using the DSP56300 Direct Memory Access Controller*.

interrupt, also known as a “DMA interrupt,” with a peripheral interrupt. A peripheral interrupt can be generated by the same event that triggers the DMA channel to move part or all of the block. When DE is not cleared at the end of the block transfer (that is, if DTM = 100 or 101), the DMA end-of-block transfer interrupt may not be latched when the bus grant (BG) signal is asserted by the external bus arbiter. This causes the end-of-block interrupt to be lost.

## 10.5 DMA Controller Programming Model

**Figure 10-1** shows the DMA Controller programming model. The following paragraphs describe the registers and how they are used. Since the six channels share identical sets of registers, each of the four registers in each set is described once.

### 10.5.1 DMA Source Address Registers (DSR[0–5])

The DSR stores the initial source address specified by and loaded from the DMA requesting device. During the DMA transfer, the DSR contents increment as defined by the D3D and DAM bit settings (except in No Update mode). In two-dimensional mode, the specified DOR updates the DSR after the first set of data transfers completes. In three-dimensional mode, the specified DORs update the DSR twice during the transfer.

### 10.5.2 DMA Destination Address Registers (DDR[5–0])

The DDR stores the initial destination address specified by and loaded from the DMA requesting device. During the DMA transfer, the DDR contents increment as defined by the D3D and DAM bit settings (except in No Update mode). In two-dimensional mode, the specified DOR updates the DDR after the first set of data transfers completes. In three-dimensional mode, the specified DORs update the DDR twice during the transfer.

### 10.5.3 DMA Counters (DCO[5–0])

During DMA operation, a Source Address Register (DSR) is associated with one of the counter modes, and the Destination Address Register (DDR) can be associated with another counter mode. The following examples use DSR as an example of the address register used, but the same example is valid for the DDR.

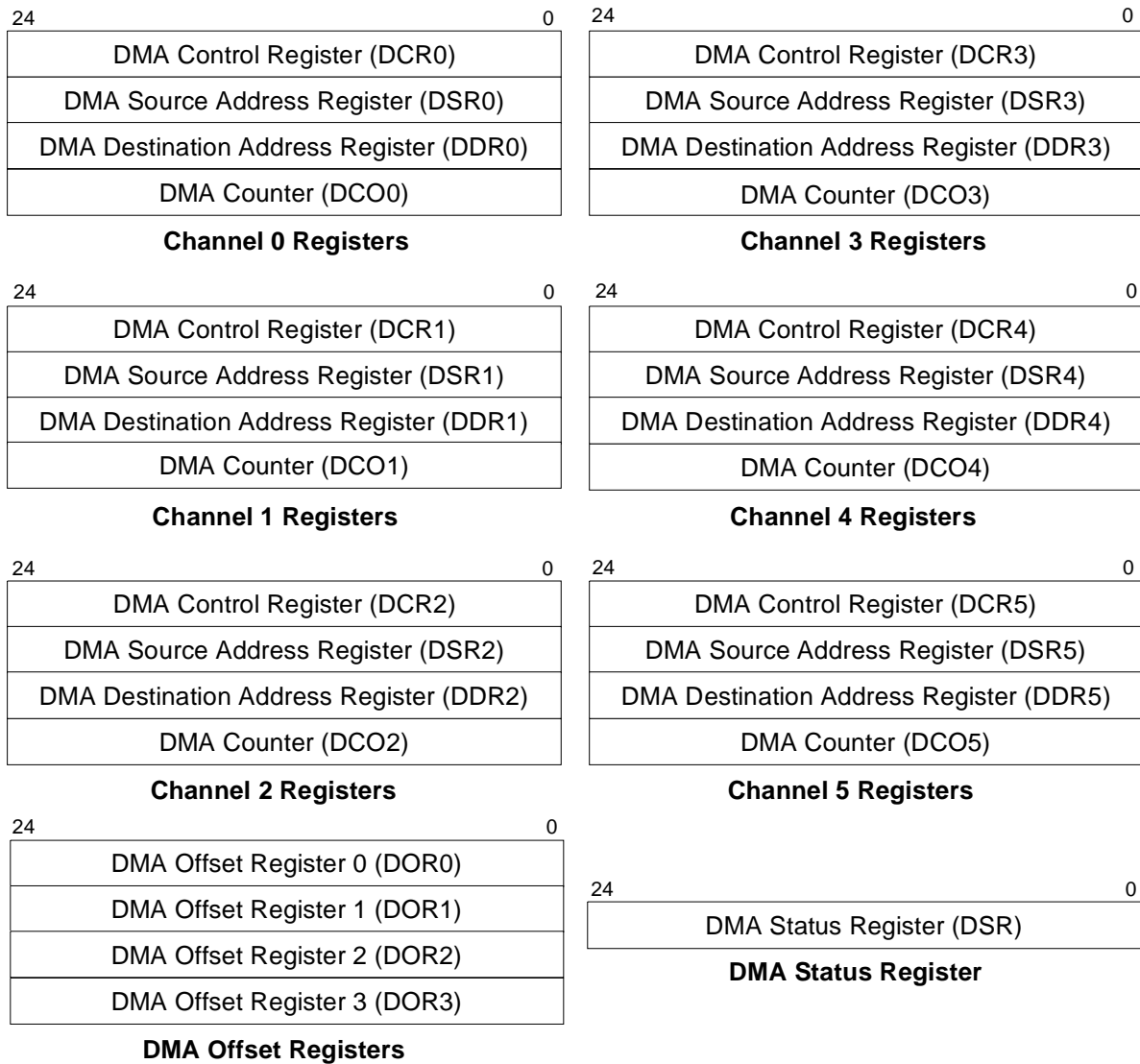


Figure 10-1. DMA Controller Programming Model

### 10.5.3.1 DMA Counter Mode A—Single Counter

Figure 10-2 shows that in DMA Counter Mode A, the DCO operates as a single counter.

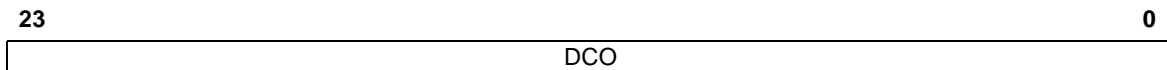


Figure 10-2. DMA Counter Mode A Layout

The number of transfers is equal to the value loaded into DCO plus one ( $DCO + 1$ ). Before each DMA transfer, the DCO is tested for zero, and the following actions occur based on the test result:

- $DCO > 0$ . A transfer is initiated with an address equal to the address register. Then DCO is decremented by one and the address register is updated according to the address generation mode.
- $DCO = 0$ . The last transfer is initiated with an address equal to the address register, the address register is updated according to the address generation mode, and DCO is loaded with its preloaded value.

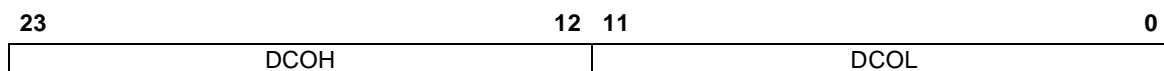
For example, if the DCO is preloaded with the value 5, the DSR is loaded with the value  $S$ , and the address generation mode is postincrement-by-1. **Table 10-2** indicates the changes in the DSR and the DCO during the DMA transfer.

**Table 10-2.** Interaction Between the DSR and DCO in Mode A

Before the Transfer		After the Transfer	
DSR	DCO	DSR	DCO
$S$	5	$S + 1$	4
$S + 1$	4	$S + 2$	3
$S + 2$	3	$S + 3$	2
$S + 3$	2	$S + 4$	1
$S + 4$	1	$S + 5$	0
$S + 5$	0	$S + 6$	5

### 10.5.3.2 DMA Counter Mode B—Dual Counter

**Figure 10-3** shows that in DMA Counter Mode B, which is useful for two-dimensional block transfers, the DCO is separated into two sections: DCOH[23–12] and DCOL[11–0] bits.



**Figure 10-3.** DMA Counter Mode B Layout

Before each DMA transfer, DCOH and DCOL are tested for zero, and the following actions occur based on the test results:

- $DCOH > 0$  and  $DCOL > 0$ . A transfer is initiated with an address equal to the address register. Then DCOL is decremented by one and the address register is incremented by one.
- $DCOH > 0$  and  $DCOL = 0$ . A transfer is initiated with an address equal to the address register. The address register is incremented with the specified offset register, DCOH is decremented by one, and DCOL is loaded with its preloaded value.
- $DCOH = 0$  and  $DCOL = 0$ . The last transfer is initiated with an address equal to the address register. The address register is incremented with the specified offset register, and both DCOH and DCOL are loaded with their preloaded values.

The number of transfers in this mode is equal to  $(DCOL + 1) \times (DCOH + 1)$ . For example, assume DCOH is preloaded with the value 1, DCOL is preloaded with the value 2, DOR is preloaded with the value T, and DSR is loaded with the value S. **Table 10-3** indicates the changes in the DSR and the DCO during the DMA transfer.

**Table 10-3.** Interaction Between the DSR and DCO in Mode B

Before the Transfer			After the Transfer		
DSR	DCOH	DCOL	DSR	DCOH	DCOL
S	1	2	S + 1	1	1
S + 1	1	1	S + 2	1	0
S + 2	1	0	S + T + 2	0	2
S + T + 2	0	2	S + T + 3	0	1
S + T + 3	0	1	S + T + 4	0	0
S + T + 4	0	0	S + 2T + 4	1	2

### 10.5.3.3 Circular Buffer (Length Less Than or Equal to 4096 Words)

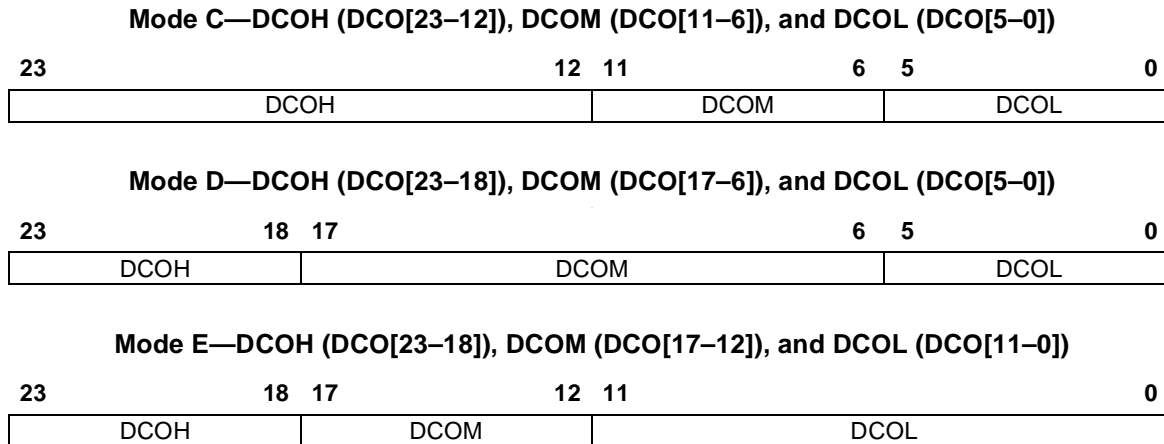
In Dual Counter mode, a DMA channel can function as a circular buffer. A negative offset causes the buffer pointer to wrap back to the start of the buffer. Since the buffer pointer does not auto-increment after the last word in the buffer is transferred (that is, just after DCOL decrements past zero), the distance for it to jump backwards is one less than the buffer size. Therefore, the offset register (DOR) value is  $(BUFFER\_SIZE - 1)$ . The 12-bit DCOL field is set to  $(BUFFER\_SIZE - 1)$ , providing a maximum buffer length of 4096 words. DCOH determines the number of buffer wraparounds during a single block transfer (a block transfer is complete when both DCOH and DCOL decrement past zero). To allow for continuous circular operation of the buffer, after the block transfer completes in DMA channel n, the DCRn (DE) bit either remains set (according to DCRn(DTM2-0)), or it is set again (by an end-of-block-transfer DMA interrupt). A circular buffer longer than 4096 words can be implemented using Counter Mode E.



### 10.5.3.3.1 DMA Counter Modes C, D and E—Triple Counter

In DMA Counter Modes C, D, and E, which are useful for three-dimensional block transfers, the DCO is separated into three sections: DCOH, DCOM and DCOL.

**Figure 10-4** shows that the size of each section varies depending on the selected mode. The total transfers in this mode are equal to  $(DCOL + 1) \times (DCOM + 1) \times (DCOH + 1)$ .



**Figure 10-4.** DMA Counter Modes C, D, and E Layouts

Before each DMA transfer, DCOH, DCOM, and DCOL are tested for zero, and the following actions occur based on the test results:

- $DCOH > 0$ ,  $DCOM > 0$ , and  $DCOL > 0$ . A transfer is initiated with an address equal to the address register. Then DCOL decrements by one and the address register increments by one.
- $DCOH > 0$ ,  $DCOM > 0$ , and  $DCOL = 0$ . A transfer is initiated with an address equal to the address register. Then the address register increments with the first specified offset register, DCOM decrements by one, and DCOL is loaded with its preloaded value.
- $DCOH > 0$ ,  $DCOM = 0$ , and  $DCOL = 0$ . A transfer is initiated with an address equal to the address register. The address register then increments with the second specified offset register, DCOH decrements by one, and both DCOM and DCOL are loaded with their preloaded value.
- $DCOH = 0$ ,  $DCOM = 0$ , and  $DCOL = 0$ . The last transfer is initiated with an address equal to the address register. The address register then increments with the second specified offset register and DCOH, DCOM, and DCOL are loaded with their preloaded values.

Assume that DCOH is preloaded with the value 1, DCOM is also preloaded with the value 1, DCOL is preloaded with the value 2, DOR0 is preloaded with the value T0, DOR1 is preloaded with the value T1, and the DSR is loaded with the value S. **Table 10-4** indicates the changes in the DSR and the DCO during the DMA transfer.

**Table 10-4.** Interaction Between the DSR and DCO in Mode C, D, or E

Before the Transfer				After the Transfer			
DSR	D C O H	D C O M	D C O L	DSR	D C O H	D C O M	D C O L
S	1	1	2	S + 1	1	1	1
S + 1	1	1	1	S + 2	1	1	0
S + 2	1	1	0	S + T0 + 2	1	0	2
S + T0 + 2	1	0	2	S + T0 + 3	1	0	1
S + T0 + 3	1	0	1	S + T0 + 4	1	0	0
S + T0 + 4	1	0	0	S + T0 + T1 + 4	0	1	2
S + T0 + T1 + 4	0	1	2	S + T0 + T1 + 5	0	1	1
S + T0 + T1 + 5	0	1	1	S + T0 + T1 + 6	0	1	0
S + T0 + T1 + 6	0	1	0	S + 2T0 + T1 + 6	0	0	2
S + 2T0 + T1 + 6	0	0	2	S + 2T0 + T1 + 7	0	0	1
S + 2T0 + T1 + 7	0	0	1	S + 2T0 + T1 + 8	0	0	0
S + 2T0 + T1 + 8	0	0	0	S + 2T0 + 2T1 + 8	1	1	2

#### 10.5.3.4 Circular Buffer (Length Greater Than 4096 Words)

A circular buffer of length greater than 4096 words can be implemented using a DMA channel in Counter Mode E. The 12-bit DCOL and 6-bit DCOM fields are concatenated into one 18-bit counter field, allowing a buffer length of up to approximately 256 K words ( $2^{18}$  words). The counter field is concatenated using a primary offset of one (that is,  $DOR_i = 0$ ). The remainder of the setup is done the same way as for a circular buffer implementation using Dual Counter mode (see **Section 10.5.3.2**)—that is,  $DCOM:DCOL = (BUFFER\_SIZE - 1)$ , and the secondary offset  $DOR_j = -(BUFFER\_SIZE - 1)$ . For an even longer circular buffer (up to  $2^{24}$  words), it is necessary to use an end-of-block-transfer DMA interrupt to perform the buffer pointer wraparound. The interrupt service routine must explicitly modify the DMA source and/or destination address registers. For this case, Single-Counter mode is used.

#### 10.5.3.5 DMA Control Registers (DCR[5–0])

The DMA Control Registers (DCR[5–0]) are read/write registers that control the DMA operation for each of their respective channels. All DCR bits are cleared during processor reset.

23	22	21	20	19	18	17	16	15	14	13	12
DE	DIE	DTM2	DTM1	DTM0	DPR1	DPR0	DCON	DRS4	DRS3	DRS2	DRS1
11	10	9	8	7	6	5	4	3	2	1	0
DRS0	D3D	DAM5	DAM4	DAM3	DAM2	DAM1	DAM0	DDS1	DDS0	DSS1	DSS0

Figure 10-5. DMA Control Register (DCR)

Table 10-5. DMA Control Register (DCR) Bit Definitions

Bit Number	Bit Name	Reset Value	Description
23	DE	0	<b>DMA Channel Enable</b> Enables the channel operation. Setting DE either triggers a single block DMA transfer in the DMA transfer mode that uses DE as a trigger or enables a single-block, single-line, or single-word DMA transfer in the transfer modes that use a requesting device as a trigger. DE is cleared by the end of DMA transfer in some of the transfer modes defined by the DTM bits. If software explicitly clears DE during a DMA operation, the channel operation stops only after the current DMA transfer completes (that is, the current word is stored into the destination).
22	DIE	0	<b>DMA Interrupt Enable</b> Generates a DMA interrupt at the end of a DMA block transfer after the counter is loaded with its preloaded value. A DMA interrupt is also generated when software explicitly clears $\overline{DE}$ during a DMA operation. Once asserted, a DMA interrupt request can be cleared only by the service of a DMA interrupt routine. To ensure that a new interrupt request is not generated, clear DIE while the DMA interrupt is serviced and before a new DMA request is generated at the end of a DMA block transfer—that is, at the beginning of the DMA channel interrupt service routine. When DIE is cleared, the DMA interrupt is disabled.

**Table 10-5. DMA Control Register (DCR) Bit Definitions (Continued)**

Bit Number	Bit Name	Reset Value	Description			
21–19	DTM[2–0]	0	<b>DMA Transfer Mode</b> Specify the operating modes of the DMA channel, as follows:			
			<b>DTM[2–0]</b>	<b>Trigger</b>	<b>DE Cleared After</b>	<b>Transfer Mode</b>
			000	request	Yes	Block Transfer DE enabled and DMA request initiated. The transfer is complete when the counter decrements to zero and the DMA controller reloads the counter with the original value.
			001	request	Yes	Word Transfer A word-by-word block transfer (length set by the counter) that is DE enabled. The transfer is complete when the counter decrements to zero and the DMA controller reloads the counter with the original value.
			010	request	Yes	Line Transfer A line by line block transfer (length set by the counter) that is DE enabled. The transfer is complete when the counter decrements to zero and the DMA controller reloads the counter with the original value.
			011	DE	Yes	Block Transfer The DE-initiated transfer is complete when the counter decrements to zero and the DMA controller reloads the counter with the original value.
			100	request	No	Block Transfer The transfer is enabled by DE and initiated by the first DMA request. The transfer is completed when the counter decrements to zero and reloads itself with the original value. The DE bit is not cleared at the end of the block, so the DMA channel waits for a new request.
			101	request	No	Word Transfer The transfer is enabled by DE and initiated by every DMA request. When the counter decrements to zero, it is reloaded with its original value. The DE bit is not automatically cleared, so the DMA channel waits for a new request.
			110	Reserved		

**Table 10-5. DMA Control Register (DCR) Bit Definitions (Continued)**

Bit Number	Bit Name	Reset Value	Description			
21–19 cont.	DTM[2–0]		<b>DMA Transfer Mode</b> (Continued)			
			<b>DTM[2–0]</b>	<b>Trigger</b>	<b>DE Cleared After</b>	<b>Transfer Mode</b>
			111	Reserved		
			NOTE: When DTM[2–0] = 001 or 101, some peripherals can generate a second DMA request while the DMA controller is still processing the first request (see the description of the DRS bits).			
18–17	DPR[1–0]	0	<b>DMA Channel Priority</b> Define the DMA channel priority relative to the other DMA channels and to the core priority if an external bus access is required. For pending DMA transfers, the DMA controller compares channel priority levels to determine which channel can activate the next word transfer. This decision is required because all channels use common resources, such as the DMA address generation logic, buses, and so forth.			
			<b>DPR[1–0]</b>	<b>Channel Priority</b>		
			00	Priority level 0 (lowest)		
			01	Priority level 1		
			10	Priority level 2		
			11	Priority level 3 (highest)		
			<ul style="list-style-type: none"> <li>• If all or some channels have the same priority, then channels are activated in a round-robin fashion—that is, channel 0 is activated to transfer one word, followed by channel 1, then channel 2, and so on.</li> <li>• If channels have different priorities, the highest priority channel executes DMA transfers and continues for its pending DMA transfers.</li> <li>• If a lower-priority channel is executing DMA transfers when a higher priority channel receives a transfer request, the lower-priority channel finishes the current word transfer and arbitration starts again.</li> <li>• If some channels with the same priority are active in a round-robin fashion and a new higher-priority channel receives a transfer request, the higher-priority channel is granted transfer access after the current word transfer is complete. After the higher-priority channel transfers are complete, the round-robin transfers continue. The order of transfers in the round-robin mode may change, but the algorithm remains the same.</li> <li>• The DPR bits also determine the DMA priority relative to the core priority for external bus access. Arbitration uses the current active DMA priority, the core priority defined by the SR bits CP[1–0], and the core-DMA priority defined by the OMR bits CDP[1–0]. Priority of core accesses to external memory is as follows:</li> </ul>			

**Table 10-5. DMA Control Register (DCR) Bit Definitions (Continued)**

Bit Number	Bit Name	Reset Value	Description		
18–17 cont.	DPR[1–0]		<b>OMR - CDP[1–0]</b>	<b>CP[1–0]</b>	<b>Core Priority</b>
			00	00	0 (lowest)
			00	01	1
			00	10	2
			00	11	3 (highest)
			01	xx	DMA accesses have higher priority than core accesses
			10	xx	DMA accesses have the same priority as core accesses
			11	xx	DMA accesses have lower priority than core accesses
			<ul style="list-style-type: none"> <li>• If DMA priority &gt; core priority (for example, if CDP = 01, or CDP = 00 and DPR &gt; CP), the DMA performs the external bus access first and the core waits for the DMA channel to complete the current transfer.</li> <li>• If DMA priority = core priority (for example, if CDP = 10, or CDP = 00 and DPR = CP), the core performs all its external accesses first and then the DMA channel performs its access.</li> <li>• If DMA priority &lt; core priority (for example, if CDP=11, or CDP = 00 and DPR &lt; CP), the core performs its external accesses and the DMA waits for a free slot in which the core does not require the external bus.</li> <li>• In Dynamic Priority mode (CDP = 00), the DMA channel can be halted before executing both the source and destination accesses if the core has higher priority. If another higher-priority DMA channel requests access, the halted channel finishes its previous access with a new higher priority before the new requesting DMA channel is serviced.</li> </ul>		
16	DCON	0	<p><b>DMA Continuous Mode Enable</b></p> <p>Enables/disables DMA Continuous mode. When DCON is set, the channel enters the Continuous Transfer mode and cannot be interrupted during a transfer by any other DMA channel of equal priority. DMA transfers in the continuous mode of operation can be interrupted if a DMA channel of higher priority is enabled after the continuous mode transfer starts. If the priority of the DMA transfer in continuous mode (that is, DCON = 1) is higher than the core priority (CDP = 01, or CDP = 00 and DPR &gt; CP), and if the DMA requires an external access, the DMA gets the external bus and the core is not able to use the external bus in the next cycle after the DMA access even if the DMA does not need the bus in this cycle. However, if a refresh cycle from the DRAM controller is requested, the refresh cycle interrupts the DMA transfer. When DCON is cleared, the priority algorithm operates as for the DPR bits.</p>		

Table 10-5. DMA Control Register (DCR) Bit Definitions (Continued)

Bit Number	Bit Name	Reset Value	Description																												
15–11	DRS[4–0]	0	<p><b>DMA Request Source</b>  Encodes the source of DMA requests that trigger the DMA transfers. The DMA request sources may be external devices requesting service through the <math>\overline{\text{IRQA}}</math>, <math>\overline{\text{IRQB}}</math>, <math>\overline{\text{IRQC}}</math> and <math>\overline{\text{IRQD}}</math> pins, triggering by transfers done from a DMA channel, or transfers from the internal peripherals. All the request sources behave as edge-triggered synchronous inputs.</p> <table border="1"> <thead> <tr> <th>DRS[4–0]</th> <th>Requesting Device</th> </tr> </thead> <tbody> <tr> <td>00000</td> <td>External (<math>\overline{\text{IRQA}}</math> pin)</td> </tr> <tr> <td>00001</td> <td>External (<math>\overline{\text{IRQB}}</math> pin)</td> </tr> <tr> <td>00010</td> <td>External (<math>\overline{\text{IRQC}}</math> pin)</td> </tr> <tr> <td>00011</td> <td>External (<math>\overline{\text{IRQD}}</math> pin)</td> </tr> <tr> <td>00100</td> <td>Transfer done from channel 0</td> </tr> <tr> <td>00101</td> <td>Transfer done from channel 1</td> </tr> <tr> <td>00110</td> <td>Transfer done from channel 2</td> </tr> <tr> <td>00111</td> <td>Transfer done from channel 3</td> </tr> <tr> <td>01000</td> <td>Transfer done from channel 4</td> </tr> <tr> <td>01001</td> <td>Transfer done from channel 5</td> </tr> <tr> <td>01010</td> <td>Peripheral request MDRQ0</td> </tr> <tr> <td>...</td> <td>...</td> </tr> <tr> <td>11111</td> <td>Peripheral request MDRQ21</td> </tr> </tbody> </table> <p>Peripheral requests 18–21 (DRS[4–0] = 111xx) can serve as fast request sources. Unlike a regular peripheral request in which the peripheral can not generate a second request until the first one is served, a fast peripheral has a full duplex handshake to the DMA, enabling a maximum throughput of a trigger every two clock cycles. This mode is functional only in the Word Transfer mode (that is, DTM = 001 or 101). In the Fast Request mode, the DMA sets an enable line to the peripheral. If required, the peripheral can send the DMA a one cycle triggering pulse. This pulse resets the enable line. If the DMA decides by the priority algorithm that this trigger will be served in the next cycle, the enable line is set again, even before the corresponding register in the peripheral is accessed.</p> <p>This is a default list of encodings. For a detailed listing of encodings for a specific device, refer to the Core Configuration section in the device-specific user's manual.</p>	DRS[4–0]	Requesting Device	00000	External ( $\overline{\text{IRQA}}$ pin)	00001	External ( $\overline{\text{IRQB}}$ pin)	00010	External ( $\overline{\text{IRQC}}$ pin)	00011	External ( $\overline{\text{IRQD}}$ pin)	00100	Transfer done from channel 0	00101	Transfer done from channel 1	00110	Transfer done from channel 2	00111	Transfer done from channel 3	01000	Transfer done from channel 4	01001	Transfer done from channel 5	01010	Peripheral request MDRQ0	...	...	11111	Peripheral request MDRQ21
			DRS[4–0]	Requesting Device																											
			00000	External ( $\overline{\text{IRQA}}$ pin)																											
			00001	External ( $\overline{\text{IRQB}}$ pin)																											
			00010	External ( $\overline{\text{IRQC}}$ pin)																											
			00011	External ( $\overline{\text{IRQD}}$ pin)																											
			00100	Transfer done from channel 0																											
			00101	Transfer done from channel 1																											
			00110	Transfer done from channel 2																											
			00111	Transfer done from channel 3																											
			01000	Transfer done from channel 4																											
			01001	Transfer done from channel 5																											
			01010	Peripheral request MDRQ0																											
			...	...																											
			11111	Peripheral request MDRQ21																											
10	D3D	0	<p><b>Three-Dimensional Mode</b>  Indicates whether a DMA channel is currently using three-dimensional (D3D = 1) or non-three-dimensional (D3D = 0) addressing modes. The addressing modes are specified by the DAM bits.</p>																												
9–4	DAM[5–0]	0	<p><b>DMA Address Mode</b>  Defines the address generation mode for the DMA transfer. These bits are encoded in two different ways according to the D3D bit.</p>																												

**Table 10-5.** DMA Control Register (DCR) Bit Definitions (Continued)

Bit Number	Bit Name	Reset Value	Description		
3–2	DDS[1–0]	0	<b>DMA Destination Space</b> Specify the memory space referenced as a destination by the DMA.  NOTE: In Cache mode, a DMA to Program memory space has some limitations (as described in <b>Chapter 8</b> , <i>Instruction Cache</i> , and <b>Chapter 11</b> , <i>Operating Modes and Memory Spaces</i> ).		
			<b>DDS1</b>	<b>DDS0</b>	<b>DMA Destination Memory Space</b>
			0	0	X Memory Space
			0	1	Y Memory Space
			1	0	P Memory Space
			1	1	Reserved
1–0	DSS[1–0]	0	<b>DMA Source Space</b> Specify the memory space referenced as a source by the DMA.  NOTE: In Cache mode, a DMA to Program memory space has some limitations (as described in <b>Chapter 8</b> , <i>Instruction Cache</i> , and <b>Chapter 11</b> , <i>Operating Modes and Memory Spaces</i> ).		
			<b>DSS1</b>	<b>DSS0</b>	<b>DMA Source Memory Space</b>
			0	0	X Memory Space
			0	1	Y Memory Space
			1	0	P Memory Space
			1	1	Reserved

### 10.5.3.5.1 Non-3D Addressing Modes (D3D = 0)

If D3D = 0, the DAM bits are separated into two groups as described in **Table 10-6**:

- DAM[5–3]. Defines the destination address generation mode
- DAM[2–0]. Defines the source address generation mode

The destination and source address modes can be chosen independently, but they always use the same counter and, depending on the selected modes, they can also use the same offset register.



**Table 10-6.** Address Generation Mode (D3D = 0)

Destination DAM[5–3]	Source DAM[2–0]	Addressing Mode	Counter Mode <sup>2</sup>	Offset Register Selection
000	000	2D	B	DOR0
001	001	2D	B	DOR1
010	010	2D	B	DOR2
011	011	2D	B	DOR3
100	100	No Update	A	None
101	101	Postincrement-by –1	A	None
110	110	Reserved		
111	111	Reserved		

**Notes:**

1. If the destination address generation mode specifies a different counter mode than the source address generation mode, then the counter mode is B.
2. In Mode A, the counter is a single 24-bit register (DCO). In Mode B, the counter is two 12-bit registers (DCOH and DCOL, the upper and lower halves of DCO, respectively).

The address generation mode can be one of the following:

- *No Update mode.* The DMA controller accesses a constant address for the entire transfer. This addressing mode is useful when accessing peripheral devices as well as other single address devices such as FIFOs.
- *Postincrement-by-1 mode.* The DMA controller accesses consecutive addresses. This addressing mode is useful when accessing data structures in memories in which the data elements are placed in successive memory locations.
- *Two-dimensional mode.* The DMA controller accesses data at consecutive addresses for a given number of times (DCOL) and adds the contents of an offset register to the generated address and repeats the entire process for another given number of times (DCOH). DCOL and DCOH are the two sections of the DCO counter. See **Section 10.5.3** for details on DCO operation. This addressing mode is useful when for two-dimensional arrays of data.

#### 10.5.3.5.2 3D Modes (D3D = 1)

When D3D = 1 (three-dimensional mode), the source addressing mode, the destination addressing mode, or both are three-dimensional. In three-dimensional mode, a pair of offset registers (either DOR0/DOR1 or DOR2/DOR3) are used for a three-dimensional source (or destination) access. The other side of the access—destination (or source)—can use the same or different offset registers. Specifically, the offset register pair in a corresponding three-dimensional destination (or source) access can be the same register pair or a different register pair. Similarly, the offset register in a corresponding two-dimensional destination (or source) access can be any one of the four offset registers. These offset register choices are

indicated in **Table 10-7** and in **Table 10-8**. In three-dimensional mode, the address and counter modes are controlled by the DAM[5–0] bits, which are separated into three groups:

- DAM[5–3]. Defines the address generation mode (See **Table 10-7**)
- DAM[2]. Defines the address mode select (See **Table 10-8**)
- DAM[1–0]. Defines the DMA counter mode (See **Table 10-9**)

**Table 10-7.** Address Generation Mode (D3D = 1)

DAM[5–3]	Addressing Mode	Offset Select
000	Two-dimensional	DOR0
001	Two-dimensional	DOR1
010	Two-dimensional	DOR2
011	Two-dimensional	DOR3
100	No Update	None
101	Postincrement-by-1	None
110	Three-dimensional	DOR[0–1]
111	Three-dimensional	DOR[2–3]

**Table 10-8.** Address Mode Select (D3D = 1)

DAM[2]	Addressing Mode	Offset Select
0	Source: Three-dimensional	Source: DOR[0–1]
	Destination: Defined by DAM[5–3]	Destination: Defined by DAM[5–3]
1	Source: Defined by DAM[5–3]	Source: Defined by DAM[5–3]
	Destination: 3D	Destination: DOR[2–3]

**Table 10-9.** Counter Mode (D3D = 1)

DAM[1–0]	Counter Mode	DCO Layout		
00	Mode C	DCOH[23–12]		DCOM[11–6] DCOL[5–0]
01	Mode D	DCOH[23–18]	DCOM[17–6] DCOL[5–0]	
10	Mode E	DCOH[23–18]	DCOM [17–12]	DCOL[11–0]
11	—	Reserved		

In Three-dimensional Address Generation mode, the DMA controller accesses data at consecutive addresses for a given number of times (DCOL) and then adds the contents of an offset register to the generated address. This process repeats for another given number of times (DCOM) after which another offset is added to the generated address. The entire process repeats for a given number of times (DCOH). DCOL, DCOM, and DCOH are the three sections of the DCO counter. See **Section 10.5.3, DMA Counters (DCO[5–0])**, on page 10-9 for details on the

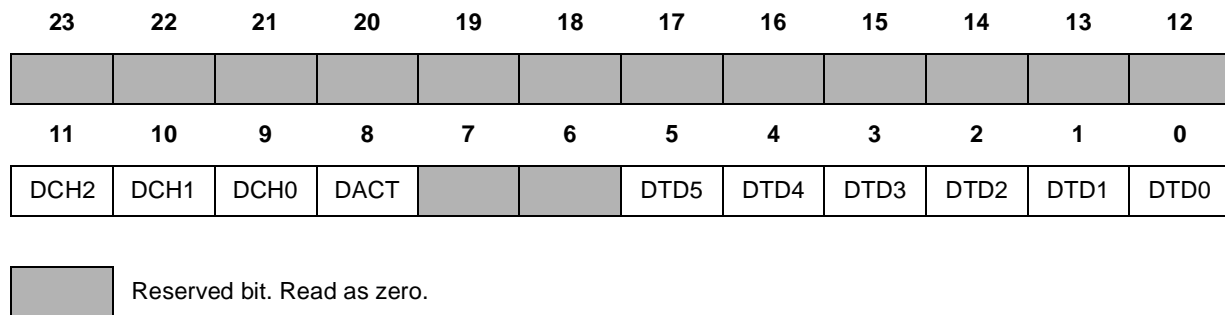
DCO operation. This addressing mode is useful when a number of two-dimensional arrays of data are accessed. The Offset Select entries in **Table 10-7** and **Table 10-8** define the offset registers that are selected to increment the address register. If one side of the transfer uses two-dimensional mode, only one offset register is needed to increment the address register for that side of the transfer. In three-dimensional mode, two offset registers are needed.

### 10.5.3.6 DMA Offset Registers (DOR[3–0])

The DMA Offset Registers (DOR[3–0]) are four 24-bit read/write registers that store the offset values required by some DMA addressing modes. All two-dimensional transfers use one offset register. All three-dimensional transfers use two offset registers. For details on how DORs are assigned and used, refer to **Section 10.5.3.5.1, Non-3D Addressing Modes ( $D3D = 0$ )**, on page 10-20 and **Section 10.5.3.5.2, 3D Modes ( $D3D = 1$ )**, on page 10-21.

### 10.5.3.7 DMA Status Register (DSTR)

The DMA Status Register (DSTR) is a 24-bit read only register that reflects the status of the DMA operation.



**Figure 10-6.** DMA Status Register (DSTR)

**Table 10-10. DMA Status Register (DSTR) Bit Definitions**

Bit Number	Bit Name	Reset Value	Description																		
23–12		0	Reserved. The value is always zero.																		
11–9	DCH[2–0]	0	<b>DMA Active Channel</b> Indicate the currently active channel. The value of the DCH bits is valid only if bit 8 DACT = 1.																		
			<table border="1"> <thead> <tr> <th>DCH(2–0)</th> <th>Active Channel</th> </tr> </thead> <tbody> <tr> <td>000</td> <td>DMA Channel 0</td> </tr> <tr> <td>001</td> <td>DMA Channel 1</td> </tr> <tr> <td>010</td> <td>DMA Channel 2</td> </tr> <tr> <td>011</td> <td>DMA Channel 3</td> </tr> <tr> <td>100</td> <td>DMA Channel 4</td> </tr> <tr> <td>101</td> <td>DMA Channel 5</td> </tr> <tr> <td>110</td> <td>Reserved</td> </tr> <tr> <td>111</td> <td>Reserved</td> </tr> </tbody> </table>	DCH(2–0)	Active Channel	000	DMA Channel 0	001	DMA Channel 1	010	DMA Channel 2	011	DMA Channel 3	100	DMA Channel 4	101	DMA Channel 5	110	Reserved	111	Reserved
			DCH(2–0)	Active Channel																	
			000	DMA Channel 0																	
			001	DMA Channel 1																	
			010	DMA Channel 2																	
			011	DMA Channel 3																	
			100	DMA Channel 4																	
			101	DMA Channel 5																	
			110	Reserved																	
			111	Reserved																	
<b>Note:</b>			When activity passes from one DMA channel to another and the DMA interface accesses external memory (which requires one or more wait states), the DACT and DCH status bits in the DSTR may indicate improper activity status for DMA Channel 0 (DACT = 1 and DCH[2–0] = 000). There is no workaround for this problem.																		
8	DACT	0	<b>DMA Active</b> Set if the DMA is in the middle of a transfer. This bit is cleared if all the DMA channels are disabled or are awaiting DMA requests. This bit should be polled and tested for zero before entering a low power mode by executing a STOP instruction.																		
<b>Note:</b>			When activity passes from one DMA channel to another and the DMA interface accesses external memory (which requires one or more wait states), the DACT and DCH status bits in the DSTR may indicate improper activity status for DMA Channel 0 (DACT = 1 and DCH[2–0] = 000). There is no workaround for this problem.																		

**Table 10-10. DMA Status Register (DSTR) Bit Definitions (Continued)**

Bit Number	Bit Name	Reset Value	Description
7–6		0	Reserved. Write to zero for future compatibility.
5–0	DTD[5–0]	1	<p><b>DMA Transfer Done</b></p> <p>Each DTD bit is assigned for its specific DMA channel (for example, DTD[5] = DMA Channel 5). A DTD bit is set when the last word of a single block transfer is stored in the destination, stopping channel operation. At the same time, the DE bit in the related DCR register may be cleared according to the transfer mode as defined by DTM[2–0]. The last transfer is defined as the one in which the DMA counter reloads its initial value or when software explicitly clears DE. If the related DCR[DIE] bit is set, then the assertion of the DTD bit causes a DMA interrupt request. When the DMA Interrupt is disabled, the core may verify the channel status by polling this bit. The DTD bit for a channel is reset when software sets the DE bit in the corresponding DCR.</p> <p>NOTES:</p> <ul style="list-style-type: none"> <li>• Because of pipeline dependencies, after the DCR[DE] bit is set, the corresponding DTDx bit is cleared only after an additional three instruction cycles.</li> <li>• If the DMA channel is in a word transfer mode, clearing DE sets the corresponding DTD bit only after a trigger previously captured by the DMA is handled.</li> <li>• When any DMA channel is set in the infinitive transfer mode (<math>\overline{DE}</math> is not cleared at end of block) the DTD bit may never be set due to continuous triggering of this channel. However, a DMA interrupt is generated, as defined above, regardless of the DTD bit value.</li> </ul>

## 10.6 DMA Restrictions

The following restrictions apply to the DMA operation:

1. Before executing the STOP instruction, poll the DACT status bit until it is read as zero. When the chip enters the Stop state, all previously latched DMA triggers are cleared.
2. The core exits the Wait state when a DMA channel accepts a trigger that is programmed as the selected source trigger. The DMA prevents the core from entering the Wait state if the DMA is active.
3. The DMA Controller can access only the Transmit/Receive Data registers of peripheral interfaces when a source or destination is specified in internal I/O space.
4. If a DMA channel access to external memory is delayed due to bus arbitration or memory wait, the other DMA channels also stop, since the DMA mechanism does not distinguish between the different channels.
5. Depending on the DSP563xx derivative, the internal RAM is divided into banks of either 256 or 1024 words. If the core and the DMA access different banks, they do not interfere with one another; each continues operations at its maximum speed. If both the core and the DMA access the same bank, then the core has priority and the DMA is

delayed until a free slot is available. If the DSP563xx derivative contains an EFCOP, the DMA cannot access the derivative's lower banks—that is, the DMA cannot access the lower 16 banks (4 K) of the DSP56307 X and Y memory or the lower 10 banks (10 K) of the DSP56311 X and Y memory. These lower banks are shared between the core and the EFCOP.

6. Write to the DMA Address Registers and the DMA Counter only when the channel that uses them is disabled ( $DE = 0$  and  $DTD = 1$ ). The operation of the DMA Controller cannot be guaranteed if one of these registers is written while the DMA channel that uses it is busy.
7. A change in the request source should be initiated only when the corresponding DMA channel is idle. If the channel is forced to enter the idle state by clearing the DMA Enable (DE) control bit, the corresponding DMA Transfer Done (DTD) status bit should be polled until it is read as '1'.
8. If a DMA channel is programmed to perform accesses in the word transfer mode, the corresponding DTD status bit is set only after the current captured request is serviced by an appropriate transfer. This ensures that the last captured request is not lost.  
If the channel priority is low, the DTD is set only when it receives the priority to perform its accesses. In order to shorten this time, the channel priority may be raised before DE is cleared.
9. While a DMA channel is enabled ( $DE = 1$ ), do not modify any of the channel DCR bits, except for the DE bit itself.
10. Due to pipelining, after the DE bit in DCRx is set, the corresponding DTDx bit in DSTR is not cleared until after three more instruction cycles.

The DMA Controller cannot access GPIO pins.

# Operating Modes and Memory Spaces 11

The DSP56300 family core mode pins (MODA, MODB, MODC, and MODD) determine the reset vector address that points to the start-up procedure when the device leaves the Reset state. The mode pins are sampled as the device exits from Reset. The sampled state of these pins is subject to a mask-programmed look-up table that can be used as a filter to disable the user from entering some of the operating modes. This filtered state is written to the MD, MC, MB, and MA bits in the Operating Mode Register (OMR). When the Reset state is exited, the mode pins become general-purpose interrupt pins,  $\overline{IRQA}$ ,  $\overline{IRQB}$ ,  $\overline{IRQC}$ , and  $\overline{IRQD}$ . When the device is not in the Reset state, software can change the OMR mode bits (MA, MB, MC, and MD). **Table 11-1** lists the mode assignments in the DSP56300 family core. The reset vector is chosen from device-specific addresses: RESET1, RESET2, and RESET3. Each reset vector in a specific DSP56300 family device is assigned one of two different values. **Table 11-2** shows typical values. These reset vectors are implementation-specific.

**Table 11-1.** DSP Core Operating Modes

MOD[D-A]	Mode	Description	Reset Vector
0000	0	Expanded Mode 0	RESET1
0001–0111	1–7	System Configuration Mode 1–7	RESET3
1000	8	Expanded Mode 8	RESET2
1001–1111	9–F	System Configuration Mode 9–F	RESET3

**Table 11-2.** DSP Core Reset Vectors, Possible Values

RESET1	RESET2	RESET3
\$000000	\$004000	\$000000
\$C00000	\$008000	\$FF0000

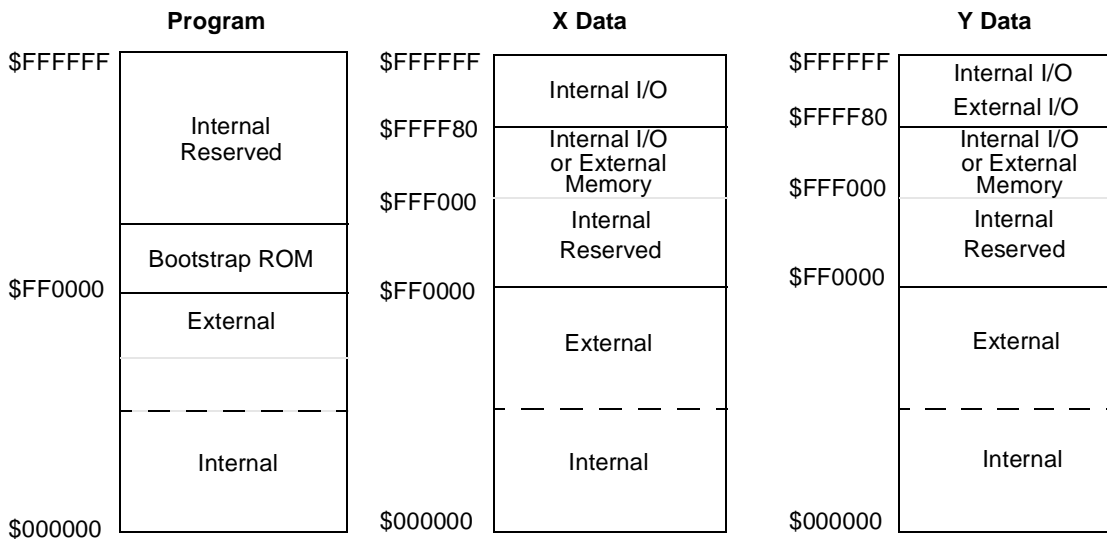
In Expanded Modes 0 and 8, a hardware reset causes the DSP56300 family core to jump to the mask-programmed external program memory location RESET1 or RESET2, respectively, and execute the code fetched from this location. These locations are implementation specific. See the appropriate user’s manual for more information.

In the System Configuration Modes 1–7 and 9–F, a hardware reset causes the DSP56300 family core to jump to the mask-programmed internal program memory (usually ROM) location

RESET3, and execute the code fetched from this location. These routines are typically implementation-specific, and can be contained in the bootstrap code.

## 11.1 DSP56300 Family Core Memory Map

The memory space of the DSP56300 family core is partitioned into program memory space (P), X data memory space, and Y data memory space. The data memory space is divided into X data memory and Y data memory in order to work with the two Address Arithmetic Logic Units (Address ALUs) and to feed two operands simultaneously to the Data ALU. Each memory space may include internal RAM, and/or internal ROM and can be expanded off-chip under software control. **Figure 11-1** shows the three independent memory spaces of the DSP56300 family core: X data, Y data, and program.



NOTE 1: The size of the Bootstrap ROM is device-specific.

NOTE 2: External program memory begins immediately after the internal program memory. When the I-Cache is enabled, the address range that defines cache location (which is device-dependent) in internal P memory is redirected to address external memory at that range. When enabled, the cache memory space is inaccessible to the user.

**Figure 11-1.** DSP56300 Core Memory Map

Individual members of the DSP56300 family can have different amounts of X data, Y data, and program memory. Consult the appropriate user’s manual and technical data sheet for more information.



## 11.1.1 X Data Memory Space

The X data memory space is divided into five parts:

- Internal X I/O space
- Switchable internal or external X I/O memory space
- Reserved space for X ROM or RAM
- External X data memory
- Internal X data RAM

## 11.1.2 Internal X I/O Space

The on-chip X I/O peripheral registers occupy the top 128 locations of the X data memory space (\$FFFF80–\$FFFFFF) and can be accessed by the MOVE and MOVEP instructions, as well as by bit-oriented instructions, such as the BCHG, BCLR, BSET, BTST, BRCLR, BRSET, BSCLR, BSSET, JCLR, JSET, JSCLR, and JSSET. Some of the DSP56300 family core registers are mapped to the internal X I/O space as well, as **Table 11-3** shows.

**Table 11-3.** Internal X I/O Space Map

Register	Block	Address	Register Name and Description
IIRC	PIC	\$FFFFFFF	Interrupt Priority Register Core
IIRP		\$FFFFFFE	Interrupt Priority Register Peripheral
PCTL	PLL	\$FFFFFFD	PLL Control Register
OGDB	OnCE	\$FFFFFFC	OnCE GDB Register
BCR	PORT A	\$FFFFFFB	Bus Control Register
DCR		\$FFFFFFA	DRAM Control Register
AAR0		\$FFFFFF9	Address Attribute Register 0
AAR1		\$FFFFFF8	Address Attribute Register 1
AAR2		\$FFFFFF7	Address Attribute Register 2
AAR3		\$FFFFFF6	Address Attribute Register 3
IDR		\$FFFFFF5	ID Register
DSTR		DMA	\$FFFFFF4
DOR0	\$FFFFFF3		DMA Offset Register 0
DOR1	\$FFFFFF2		DMA Offset Register 1
DOR2	\$FFFFFF1		DMA Offset Register 2
DOR3	\$FFFFFF0		DMA Offset Register 3
DSR0	DMA Channel 0	\$FFFFFFF	DMA Source Address Register
DDR0		\$FFFFFFE	DMA Destination Address Register
DCO0		\$FFFFFFD	DMA Counter
DCR0		\$FFFFFFC	DMA Control Register

**Table 11-3. Internal X I/O Space Map (Continued)**

Register	Block	Address	Register Name and Description
DSR1	DMA Channel 1	\$FFFFEB	DMA Source Address Register
DDR1		\$FFFFEA	DMA Destination Address Register
DCO1		\$FFFFE9	DMA Counter
DCR1		\$FFFFE8	DMA Control Register
DSR2	DMA Channel 2	\$FFFFE7	DMA Source Address Register
DDR2		\$FFFFE6	DMA Destination Address Register
DCO2		\$FFFFE5	DMA Counter
DCR2		\$FFFFE4	DMA Control Register
DSR3	DMA Channel 3	\$FFFFE3	DMA Source Address Register
DDR3		\$FFFFE2	DMA Destination Address Register
DCO3		\$FFFFE1	DMA Counter
DCR3		\$FFFFE0	DMA Control Register
DSR4	DMA Channel 4	\$FFFFDF	DMA Source Address Register
DDR4		\$FFFFDE	DMA Destination Address Register
DCO4		\$FFFFDD	DMA Counter
DCR4		\$FFFFDC	DMA Control Register
DSR5	DMA Channel 5	\$FFFFDB	DMA Source Address Register
DDR5		\$FFFFDA	DMA Destination Address Register
DCO5		\$FFFFD9	DMA Counter
DCR5		\$FFFFD8	DMA Control Register
Reserved	On-Chip X-I/O mapped Registers	\$FFFFD7	Reserved for On-Chip X-I/O mapped Register
		..	Reserved for On-Chip X-I/O mapped Register
		..	Reserved for On-Chip X-I/O mapped Register
		..	Reserved for On-Chip X-I/O mapped Register
		\$FFFF80	Reserved for On-Chip X-I/O mapped Register

### 11.1.3 Switchable Internal or External X I/O Memory

The X memory space \$FFF000–\$FFFF7F is device-specific and is either external X data memory or internal X I/O space for on-chip memory-mapped peripheral registers.

#### 11.1.3.1 Reserved Space for X ROM or RAM

The X memory space \$FF0000–\$FFEFFF is reserved for inclusion of X data ROM or RAM modules (2048 locations each). The importance of modular organization of the X ROM/RAM becomes apparent in the case of a DMA access to the internal X memory simultaneous with a core access to the same space. DMA and core accesses to different banks can be completed at full speed, while accesses to the same bank halt the DMA until a program memory slot is available.

### 11.1.3.2 External X Data Memory

The external X memory space is for expanding available X memory. The starting address of the external X data memory space is device-dependent. Refer to the appropriate user's manual to determine the actual address used in that device.

### 11.1.3.3 Internal X Memory

The X memory space \$000000–\$00FFFF is for internal X RAM modules.<sup>4</sup> The last address of the internal X memory is device-dependent. Refer to the appropriate user's manual to determine the actual address used in that device. The importance of modular organization of the X RAM becomes apparent during a DMA access to the internal X memory simultaneous with a core access to the same space. DMA and core accesses to different banks can be completed at full speed, while accesses to the same bank halt the DMA until a program memory slot is available.

## 11.1.4 Y Data Memory Space

The Y data memory space is divided into five parts:

- Internal/External Y I/O space
- Switchable internal or external Y I/O memory space
- Reserved space for Y ROM or RAM
- External Y data memory
- Internal Y data RAM

### 11.1.4.1 Internal/External Y I/O Space

The off-chip or on-chip Y I/O peripheral registers occupy the top 128 locations of the Y data memory space (\$FFFF80–\$FFFFFF) and can be accessed by MOVE and MOVEP instructions and by bit-oriented instructions (BCHG, BCLR, BSET, BTST, BRCLR, BRSET, BSCLR, BSSET, JCLR, JSET, JSCLR and JSSET). This space is partitioned into eight equal parts (16 locations each). Each part is device-specific and is either external Y I/O or internal Y I/O space.

### 11.1.4.2 Switchable Internal or External Y I/O Memory

The Y memory space \$FFF000–\$FFFF7F is device-specific and is either external Y data memory or internal Y I/O space for on-chip memory-mapped peripheral registers.

### 11.1.4.3 Reserved Space for Y ROM or RAM

The Y memory space \$FF0000–\$FFFEFF is reserved for inclusion of Y data ROM or RAM modules (2048 locations each). The importance of modular organization of the Y ROM/RAM

---

4. The size of modules is device dependent. See the device user's manual.

becomes apparent in the case of a DMA access to the internal Y memory simultaneous with a core access to the same space. DMA and core accesses to different banks can be completed at full speed, while accesses to the same bank halt the DMA until a program memory slot is available.

#### 11.1.4.4 External Y Data Memory

The external Y data memory space is for expanding available Y data memory. The starting address of the external Y data memory space is device-dependent. Refer to the appropriate user's manual to determine the actual address used in that device.

#### 11.1.4.5 Internal Y Memory

The Y memory space \$000000–\$00FFFF is for internal Y RAM modules.<sup>5</sup> The last address of the internal Y memory is device-dependent. Refer to the appropriate user's manual to determine the actual address used in that device. The importance of modular organization of the Y RAM becomes apparent in the case of a DMA access to the internal Y memory simultaneous with a core access to the same space. DMA and core accesses to different banks can be completed at full speed, while accesses to the same bank halt the DMA until a program memory slot is available.

### 11.1.5 Program Memory

The program memory space is divided into five parts:

- Bootstrap ROM
- Reserved space for Program ROM
- External program memory
- Internal program memory
- Internal instruction cache memory

#### 11.1.5.1 Bootstrap ROM Space

The bootstrap ROM space contains factory programming that allows the DSP to initialize when power is applied. Some DSPs use a 192-word space (\$FF0000–\$FF00BF) and some use a 3 K words space (\$FF0000–\$FF0C00). The bootstrap ROM space cannot be accessed by the DMA.

#### 11.1.5.2 Reserved Space for Program ROM

The program memory space \$FF00C0–\$FFFFFF is reserved for inclusion of Program ROM modules (2048 locations each). Program ROM may be used to contain some operating system program or other application-specific pre-defined user programs. The importance of modular organization of the Program ROM space is apparent in the case of DMA access to the internal program memory simultaneous with core access to the same space. DMA and core accesses to

---

5. The size of modules is device dependent. See the device user's manual.

different banks can be completed at full speed, while accesses to the same bank halt the DMA until a program memory slot is available.

### 11.1.5.3 External Program Memory

The external program memory space is for expanding internal program memory. The starting address of the external program memory space is device-dependent and also depends on the amount of on-chip Program RAM and the instruction cache size. Refer to the appropriate user's manual to determine the actual address used in that device.

### 11.1.5.4 Internal Program Memory

The program memory space \$000000–\$00FFFF is for internal Program RAM modules.<sup>6</sup> The last address of the internal program memory is device-dependent. Refer to the appropriate user's manual to determine the actual address used in that device. The importance of modular organization of the program memory becomes apparent in the case of a DMA access to the internal program memory simultaneous with a core access to the same space. DMA and core accesses to different banks can be completed at full speed, while accesses to the same bank halt the DMA until a program memory slot is available. The Program RAM provides a method of changing the program dynamically, allowing efficient overlaying of DSP software algorithms.

### 11.1.5.5 Internal Instruction Cache RAM

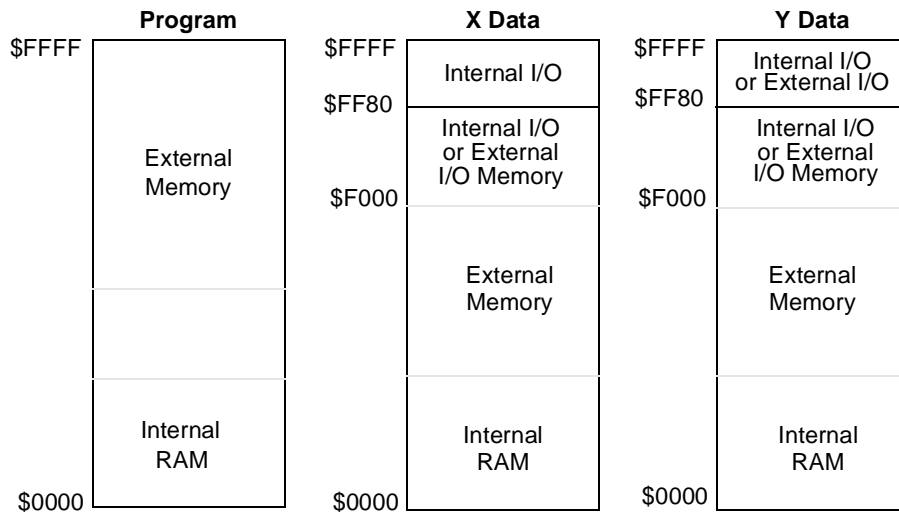
The size of the instruction cache is 1024 24-bit words if it is enabled. The starting address of the instruction cache space is device-dependent. The instruction cache can be disabled by clearing the Cache Enable (CE) bit in the Status Register (SR). If the CE bit is cleared, the instruction cache RAM becomes part of the internal Program RAM. The instruction cache is used to minimize access time for accesses to external program memory space. If the CE bit is set, the instruction is enabled and no longer accessible to the user and its address space is assigned to external memory. A complete description of the instruction cache is provided in **Chapter 8, Instruction Cache**.

## 11.2 Sixteen-Bit Compatibility Mode

When the Sixteen Bit Compatibility (SC) mode bit is set, the memory map is changed to allow easy access to memory mapped I/O, as described in **Figure 11-2**.

---

6. The size of modules is device dependent. See the device user's manual.



NOTE 1: External program memory begins immediately after the internal program memory. When the SR[CE] bit is enabled, the cache memory space is inaccessible to the user.

**Figure 11-2.** DSP56300 Core Memory Map (SC = 1)

For details on this mode, how it affects AGU operations, and functional restrictions, see **Chapter 4, Address Generation Unit**.

### 11.3 Memory Switch Mode

Each device has from four to eight memory switch modes, which are set by bits in the Operating Mode Register (OMR). Refer to the individual device user's manual for specific information.

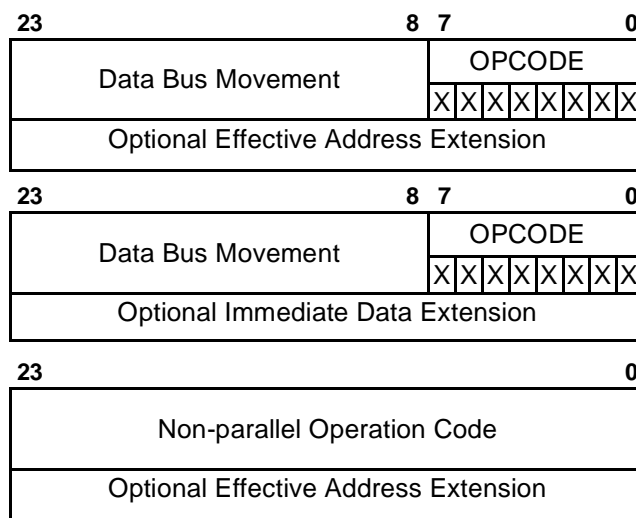
# Guide to the Instruction Set

# 12

This chapter presents the DSP56300 instruction format as well as partial encodings for use in instruction encoding. The alphabetical instruction descriptions are presented in **Chapter 13, *Instruction Set***. The complete range of instruction capabilities combined with the flexible DSP56300 addressing modes provide a very powerful assembly language for implementing DSP algorithms. The instruction set allows efficient coding for DSP high-level language compilers, such as the C Compiler. Hardware looping capabilities, an instruction pipeline, and parallel moves minimize execution time.

## 12.1 Instruction Formats and Syntax

The DSP56300 core instructions consist of one or two 24-bit words—an operation word and an optional extension word. This extension word can be either an effective address extension word or an immediate data extension word. While the extension word occupies the full 24-bit width of the program memory, only the sixteen Least Significant Bits (LSBs) are relevant for effective address extension or for immediate data. Therefore, the extension word is effectively sixteen bits wide. **Figure 12-1** shows the general formats of the instruction word. Most instructions specify data movement on the X Data Bus (XDB), Y Data Bus (YDB), and Data ALU operations in the same operation word. The DSP56300 core performs each of these operations in parallel.



**Figure 12-1.** General Formats of an Instruction Word

The Data Bus Movement field provides the operand reference type, which selects the type of memory or register reference to be made, the direction of transfer, and the effective address(es) for data movement on the XDB and/or YDB. This field may require additional information to fully specify the operand for certain addressing modes. An extension word following the operation word is used to provide immediate data, absolute address or address displacement, if required. Examples of operations that may include the extension word include move operation such as MOVE X:\$100,X0.

The Opcode field of the operation word specifies the Data ALU operation or the Program Control Unit (PCU) operation to be performed.

The instruction syntax has two formats—parallel and non-parallel, as **Table 12-1** and **Table 12-2** show. A parallel instruction is organized into five columns: opcode, operands, two optional parallel-move fields, and an optional condition field. The condition field disables the execution of the opcode if the condition is not true, and it cannot be used in conjunction with the parallel move fields.

**Table 12-1. Parallel Instruction Format**

Example	Opcode	Operands	XDB	YDB	Condition
Example 1:	MAC	X0,Y0,A	X:(R0)+,X0	Y:(R4)+,Y0	
Example 2:	MOVE		X:-(R1),X1		
Example 3:	MAC	X1,Y1,B			
Example 4:	MPY	X0,Y0,A			IFeq

Assembly-language source codes for some typical one-word instructions are shown in **Table 12-1**. Because of the multiple bus structure and the parallelism of the DSP56300 core, as many as three data transfers can be specified in the instruction word—one on the XDB, one on the YDB, and one within the Data ALU. These transfers are explicitly specified. A fourth data transfer is implied and occurs in the PCU (instruction word prefetch, program looping control, and so on). The opcode column indicates the Data ALU operation to be performed, but may be excluded if only a MOVE operation is needed. The operands column specifies the operands to be used by the opcode. The XDB and YDB columns specify optional data transfers over the XDB and YDB and the associated addressing modes. The address space qualifiers (X:, Y:, and L:) indicate which address space is being referenced.

A non-parallel instruction is organized into two columns: opcode and operands. Assembly-language source codes for some typical one-word instructions are shown in **Table 12-2**. Non-parallel instructions include all the program control, looping, and peripherals read/write instructions. They also include some Data ALU instructions that are impossible to encode in the Opcode field of the parallel format.

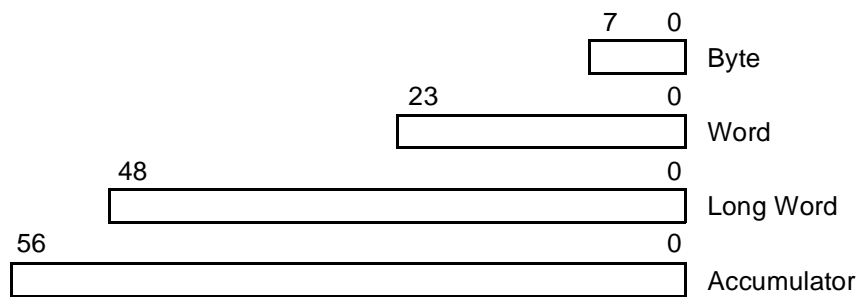


**Table 12-2.** Non-Parallel Instruction Format

Example	Opcode	Operands
Example 1:	JEQ	(R5)
Example 2:	MOVEP	#data,X:ipr
Example 3:	RTS	

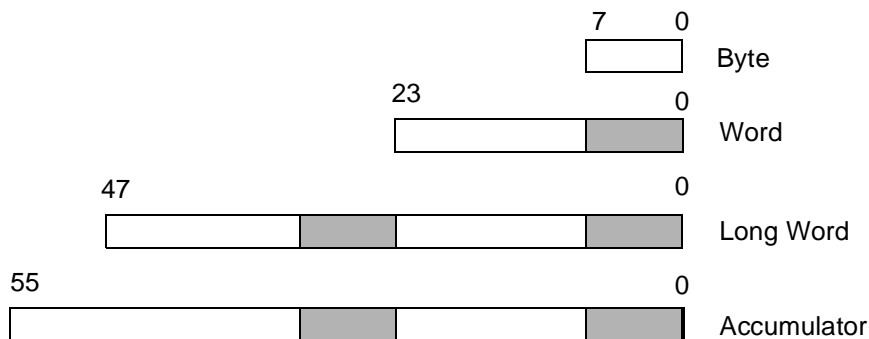
## 12.2 Operand Lengths

Operand lengths are defined as follows: a byte is 8 bits, a word is 24 bits, a long word is 48 bits, and an accumulator is 56 bits, as shown in **Figure 12-2**. The operand size for each instruction is either explicitly encoded in the instruction or implicitly defined by the instruction operation.



**Figure 12-2.** Operand Lengths

In Sixteen-bit Arithmetic mode the operand lengths are as follows: a byte is 8 bits, a word is 16 bits, a long word is 32 bits, and an accumulator is 40 bits.



**Figure 12-3.** Operand Lengths in Sixteen-Bit Mode

**Table 12-3** shows the operand lengths supported by the registers of the DSP56300 core.

**Table 12-3. Register Operand Lengths**

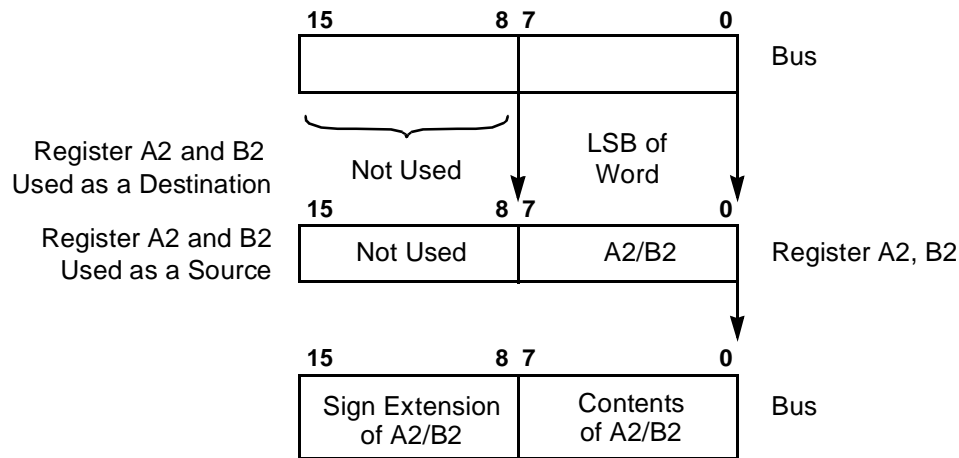
Registers	Number of Registers	Operand Lengths Supported	Sixteen-Bit Mode
ALU	10	8- or 24-bit data With concatenation: 48- or 56-bit data	16-bit data With concatenation: 32- or 40-bit data
AGU address registers	8	24-bit address or data	No
AGU offset registers	8	24-bit offsets or 24-bit address or data	No
AGU modifier registers	8	24-bit modifiers or 24-bit address or data	No
Program Counter (PC)	1	24-bit address	No
Status Register (SR)	1	8- or 24-bit data	16-bit data
Operating Mode Register (OMR)	1	8- or 24-bit data	16-bit data
Loop Counter (LC)	1	24-bit address	No
Loop Address (LA)	1	24-bit address	No

### 12.2.1 Data ALU Registers

The eight main data registers are 24 bits wide. Word operands occupy one register; long-word operands occupy two concatenated registers. The Least Significant Bit (LSB) is the right-most bit (bit 0) and the Most Significant Bit (MSB) is the left-most bit (bit 23 for word operands and bit 47 for long-word operands). In Sixteen-Bit mode, the LSB is bit 8 and bits 24 to 31 are ignored for long-word operands. The MSB is the leftmost bit.

The two accumulator extension registers are 8 bits wide. When an accumulator extension register is a source operand, it occupies the low-order portion (bits 0–7) of the word; the high-order portion (bits 8–23) is sign-extended (see **Figure 12-5**). As a destination operand, this register receives the low-order portion of the word, and the high-order portion is not used. Accumulator operands occupy an entire group of three registers (for example, A2:A1:A0 or B2:B1:B0). The LSB is the right-most bit (bit 0 in 24-bit mode and bit 8 for 16-bit mode), and the MSB is the leftmost bit (bit 55).

When a 56-bit accumulator (A or B) is specified as a *source* operand S, the accumulator value is optionally shifted according to the Scaling mode bits S0 and S1 in the Mode Register (MR). If the data out of the shifter indicates that the accumulator extension register is in use and the data is to be moved into a 24-bit destination, the value stored in the destination is limited to a maximum positive or negative saturation constant to minimize truncation error. Limiting does not occur if an individual 24-bit accumulator register (A1, A0, B1, or B0) is specified as a source operand instead of the full 56-bit accumulator (A or B). This limiting feature allows block floating-point operations to be performed with error detection since the L bit in the Condition Code Register (CCR) is latched.



**Figure 12-4.** Reading and Writing ALU Extension Registers

When a 56-bit accumulator (A or B) is specified as a *destination* operand D, any 24-bit source data to be moved into that accumulator is automatically extended to 56 bits by sign-extending the MSB of the source operand (bit 23) and appending the source operand with 24 zeros in the LSBs. For 24-bit source operands, both the automatic sign extension and zeroing features can be disabled by specifying the destination register to be one of the individual 24-bit accumulator registers (A1 or B1).

### 12.2.2 AGU Registers

The twenty-four 24-bit AGU registers can be accessed as word operands for address, address offset, address modifier, and data storage. The R<sub>n</sub> notation designates one of the eight address registers, R[0–7]. The N<sub>n</sub> notation designates one of the eight address offset registers, N[0–7]. The M<sub>n</sub> notation designates one of the eight address modifier registers, M[0–7].

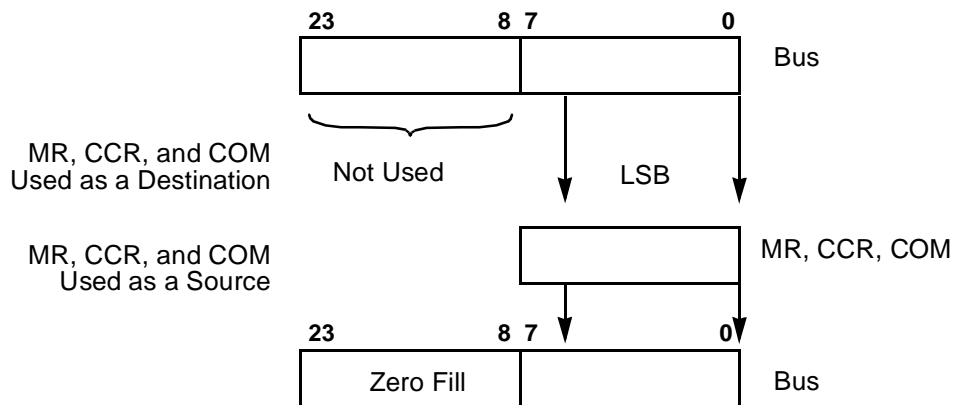
### 12.2.3 Program Control Registers

Within the 24-bit Operating Mode Register (OMR), the Chip Operating Mode (COM) register occupies the low-order 8 bits, the Extended chip Operating Mode (EOM) register occupies the middle-order 8 bits, and the System Stack Control Status (SCS) register occupies the high-order 8 bits. The OMR and the Vector Base Address (VBA) are accessed as word operands; however, not all of their bits are defined. Reserved bits are read as zero and should be written with zero for future compatibility.

Within the 24-bit SR, the user Condition Code Register (CCR) occupies the low-order 8 bits, the system Mode Register (MR) occupies the middle-order 8 bits, and the Extended Mode Register (EMR) occupies the high-order 8 bits. The SR can be accessed as a word operand. The MR and CCR can be accessed individually as word operands (see

**Figure 12-5**). The Loop Counter (LC), Loop Address (LA), stack Size (SZ), System Stack High (SSH), and System Stack Low (SSL) registers are 24 bits wide and are accessed as word

operands. The system Stack Pointer (SP) is a 24-bit register that is accessed as a word operand. The PC, a special 24-bit-wide Program Counter register, is generally referenced implicitly as a word operand, but it can also be referenced explicitly (by all PC-relative operation codes) as a word operand (see **Figure 12-5**).



**Figure 12-5.** Reading and Writing Control Registers

## 12.2.4 Data Organization in Memory

The 24-bit program memory can store both 24-bit instruction words and instruction extension words. The 48-bit System Stack (SS) can store the concatenated PC and SR registers (PC:SR) for subroutine calls, interrupts, and program looping. The SS also supports the concatenated LA and LC registers (LA:LC) for program looping. The 16-bit-wide X and Y memories can store word and byte operands. Byte operands, which usually occupy the low-order portion of the X or Y memory word, are either zero extended or sign-extended on the XDB or YDB.

## 12.3 Instruction Groups

The instruction set is divided into the following groups:

- Arithmetic
- Logical
- Bit Manipulation
- Loop
- Move
- Program Control
- Instruction Cache Control

Each instruction group is described in the following paragraphs. See **Chapter 13, *Instruction Set***, for a description of each instruction.

## 12.3.1 Arithmetic Instructions

The arithmetic instructions perform all of the arithmetic operations within the Data ALU. These instructions may affect all of the CCR bits. Arithmetic instructions are register-based (register direct addressing modes used for operands), so that the Data ALU operation indicated by the instruction does not use the XDB, the YDB, or the Global Data Bus (GDB). Optional data transfers may be specified with most arithmetic instructions, which allows for parallel data movement over the XDB and YDB or over the GDB during a Data ALU operation. This parallel movement allows new data to be prefetched for use in subsequent instructions and results calculated in previous instructions to be stored. The move operation that can be specified in parallel to the instruction marked is one of the parallel instructions listed in **Table 12-8, Move Instructions**, on page 12-11. Arithmetic instructions can be executed conditionally, based on the condition codes generated by the previous instructions. Conditional arithmetic instructions do not allow parallel data movement over the various data buses. **Table 12-4** lists the arithmetic instructions.

**Table 12-4. Arithmetic Instructions**

Mnemonic	Description	Parallel Instruction*
* A √ in the "Parallel Instruction" column means that the instruction is a parallel instruction. A blank table cell indicates that the instruction is not a parallel instruction.		
ABS	Absolute Value	√
ADC	Add Long With Carry	√
ADD	Add	√
ADD (imm.)	Add (immediate operand)	
ADDL	Shift Left and Add	√
ADDR	Shift Right and Add	√
ASL	Arithmetic Shift Left	√
ASL (mb.)	Arithmetic Shift Left (multi-bit)	
ASL (mb., imm.)	Arithmetic Shift Left (multi-bit, immediate operand)	
ASR	Arithmetic Shift Right	√
ASR (mb.)	Arithmetic Shift Right (multi-bit)	
ASR (mb., imm.)	Arithmetic Shift Right (multi-bit, immediate operand)	
CLR	Clear Accumulator	√
CMP	Compare	√
CMP (imm.)	Compare (immediate operand)	
CMPM	Compare Magnitude	√
CMPU	Compare Unsigned	
DEC	Decrement by One	
DIV	Divide Iteration	

**Table 12-4. Arithmetic Instructions (Continued)**

Mnemonic	Description	Parallel Instruction*
* A √ in the "Parallel Instruction" column means that the instruction is a parallel instruction. A blank table cell indicates that the instruction is not a parallel instruction.		
DMAC	Double Precision Multiply-Accumulate With Right Shift	
INC	Increment by One	
MAC	Signed Multiply-Accumulate	√
MAC (su,uu)	Mixed Multiply-Accumulate	
MACI	Signed Multiply-Accumulate With Immediate Operand	
MACR	Signed Multiply-Accumulate and Round	√
MACRI	Signed Multiply-Accumulate and Round With Immediate Operand	
MAX	Transfer by Signed Value	√
MAXM	Transfer by Magnitude	√
MPY	Signed Multiply	√
MPY (su,uu)	Mixed Multiply	
MPYI	Signed Multiply With Immediate Operand	
MPYR	Signed Multiply and Round	√
MPYRI	Signed Multiply and Round With Immediate Operand	
NEG	Negate Accumulator	√
NORM	Norm Accumulator Iteration	
NORMF	Fast Accumulator Normalization	
RND	Round Accumulator	√
SBC	Subtract Long With Carry	√
SUB	Subtract	√
SUB (imm.)	Subtract (immediate operand)	
SUBL	Shift Left and Subtract Accumulators	√
SUBR	Shift Right and Subtract Accumulators	√
Tcc	Transfer Conditionally	
TFR	Transfer Data ALU Register	√
TST	Test Accumulator	√

### 12.3.2 Logical Instructions

The logical instructions execute in one instruction cycle and perform all logical operations within the Data ALU (except ANDI and ORI). They can affect all of the CCR bits and, like the arithmetic instructions, are register-based. Optional data transfers can be specified with most logical instructions, allowing parallel data movement over the XDB and YDB or over the GDB during a Data ALU operation. This parallel movement allows new data to be prefetched for use in subsequent instructions and results calculated in previous instructions to be stored. The move

operation that can be specified in parallel to the instruction marked is one of the parallel instructions listed in **Table 12-8, *Move Instructions***, on page 12-11. **Table 12-5** lists the logical instructions.

**Table 12-5. Logical Instructions**

Mnemonic	Description	Parallel Instruction*
* A √ in the "Parallel Instruction" column means that the instruction is a parallel instruction. A blank table cell indicates that the instruction is not a parallel instruction.		
AND	Logical AND	√
AND (imm.)	Logical AND (immediate operand)	
ANDI	AND Immediate to Control Register	
CLB	Count Leading Bits	
EOR	Logical Exclusive OR	√
EOR (imm.)	Logical Exclusive OR (immediate operand)	
EXTRACT	Extract Bit Field	
EXTRACT (imm.)	Extract Bit Field (immediate operand)	
EXTRACTU	Extract Unsigned Bit Field	
EXTRACTU (imm.)	Extract Unsigned Bit Field (immediate operand)	
INSERT	INSERT Bit Field	
INSERT (imm.)	INSERT Bit Field (immediate operand)	
LSL	Logical Shift Left	√
LSL (mb.)	Logical Shift Left (multi-bit )	
LSL (mb., imm.)	Logical Shift Left (multi-bit, immediate operand)	
LSR	Logical Shift Right	√
LSR (mb.)	Logical Shift Right (multi-bit)	
LSR (mb.,imm.)	Logical Shift Right (multi-bit, immediate operand)	
MERGE	Merge Two Half Words	
NOT	Logical Complement	√
OR	Logical Inclusive OR	√
OR (imm.)	Logical Inclusive OR (immediate operand)	
ORI	OR Immediate With Control Register	
ROL	Rotate Left	√
ROR	Rotate Right	√

### 12.3.3 Bit Manipulation Instructions

The bit manipulation instructions test the state of any single bit in a memory location and then optionally set, clear, or invert the bit. The carry bit of the CCR contains the result of the bit test.

**Table 12-6** lists the bit manipulation instructions.

**Table 12-6.** Bit Manipulation Instructions

Mnemonic	Description	Parallel Instruction*
* A √ in the “Parallel Instruction” column means that the instruction is a parallel instruction. A blank table cell indicates that the instruction is not a parallel instruction.		
BCHG	Bit Test and Change	
BCLR	Bit Test and Clear	
BSET	Bit Test and Set	
BTST	Bit Test	

### 12.3.4 Loop Instructions

The hardware DO loop executes with no overhead cycles—that is, it runs as fast as straight-line code. Replacing straight-line code with DO loops can significantly reduce program memory usage. The loop instructions control hardware looping either by initiating a program loop and establishing looping parameters or by restoring the registers by pulling the SS when terminating a loop. Initialization includes saving registers used by a program loop (LA and LC) on the SS so that program loops can nest. The address of the first instruction in a program loop is also saved to allow no-overhead looping. The ENDDO instruction is not used for normal termination of a DO loop; it terminates a DO loop before the LC is decremented to 1. **Table 12-7** lists the loop instructions.

**Table 12-7.** Loop Instructions

Mnemonic	Description	Parallel Instruction*
* A √ in the “Parallel Instruction” column means that the instruction is a parallel instruction. A blank table cell indicates that the instruction is not a parallel instruction.		
BRKcc	Conditionally Break the current Hardware Loop	
DO	Start Hardware Loop	
DO FOREVER	Start Infinite Loop	
DOR	Start PC-Relative Hardware Loop	
DOR FOREVER	Start PC-Relative Infinite Loop	
ENDDO	End Current DO Loop	

### 12.3.5 Move Instructions

The move instructions perform data movement over the XDB and YDB or over the GDB. Move instructions, most of which allow Data ALU opcode in parallel, do not affect the CCR, except the limit bit L, if limiting is performed when reading a Data ALU accumulator register. **Table 12-8** lists the move instructions.



**Table 12-8. Move Instructions**

Mnemonic	Description	Parallel Instruction
* A √ in the "Parallel Instruction" column means that the instruction is a parallel instruction. A blank table cell indicates that the instruction is not a parallel instruction.		
LUA	Load Updated Address	
LRA	Load PC-Relative Address	
MOVE	Move Data Register	√
	No Parallel Data Move	
I	Immediate Short Data Move	√
R	Register-to-Register Data Move	√
U	Address Register Update	√
X:	X Memory Data Move	√
X:R	X Memory and Register Data Move	√
Y	Y Memory Data Move	√
R:Y	Register and Y Memory Data Move	√
L:	Long Memory Data Move	√
X:Y:	X Y Memory Data Move	√
MOVEC	Move Control Register	
MOVEM	Move Program Memory	
MOVEP	Move Peripheral Data	
VSL	Viterbi Shift Left	

### 12.3.6 Program Control Instructions

The program control instructions include jumps, conditional jumps, and other instructions affecting the PC and SS. Program control instructions may affect the CCR bits as specified in the instruction. Optional data transfers over the XDB and YDB may be specified in some of the program control instructions. **Table 12-9** lists the program control instructions.

**Table 12-9. Program Control Instructions**

Mnemonic	Description	Parallel Instruction*
* A √ in the "Parallel Instruction" column means that the instruction is a parallel instruction. A blank table cell indicates that the instruction is not a parallel instruction.		
Bcc	Branch Conditionally	
BRA	Branch Always	
BRCLR	Branch if Bit Clear	
BRSET	Branch if Bit Set	
BScC	Branch to Subroutine Conditionally	
BSCLR	Branch to Subroutine if Bit Clear	

**Table 12-9.** Program Control Instructions (Continued)

Mnemonic	Description	Parallel Instruction*
* A √ in the "Parallel Instruction" column means that the instruction is a parallel instruction. A blank table cell indicates that the instruction is not a parallel instruction.		
BSR	Branch to Subroutine	
BSSET	Branch to Subroutine if Bit Set	
DEBUG	Enter Debug Mode	
DEBUGcc	Enter Debug Mode Conditionally	
IFcc	Execute Conditionally Without CCR Update	
IFcc.U	Execute Conditionally and Update CCR	
ILLEGAL	Illegal Instruction Interrupt	
Jcc	Jump Conditionally	
JCLR	Jump if Bit Clear	
JMP	Jump	
JScC	Jump to Subroutine Conditionally	
JSCLR	Jump to Subroutine if Bit Clear	
JSET	Jump if Bit Set	
JSR	Jump to Subroutine	
JSSET	Jump to Subroutine if Bit Set	
NOP	No Operation	
REP	Repeat Next Instruction	
RESET	Reset On-Chip Peripheral Devices	
RTI	Return From Interrupt	
RTS	Return From Subroutine	
STOP	Stop Instruction Processing	
TRAP	Software Interrupt	
TRAPcc	Conditional Software Interrupt	
WAIT	Wait for Interrupt or DMA Request	

### 12.3.7 Instruction Cache Control Instructions

The instruction cache control instructions include flushes and locks. They enable the programmer to lock/unlock sectors of the cache and to flush the cache contents under software control. **Table 12-10** lists the instruction cache control instructions.

**Table 12-10.** Instruction Cache Control Instructions

Mnemonic	Description	Parallel Instruction*
* A √ in the "Parallel Instruction" column means that the instruction is a parallel instruction. A blank table cell indicates that the instruction is not a parallel instruction.		
PFLUSH	Program Cache Flush	
PFLUSHUN	Program Cache Flush Unlocked Sectors	
PFREE	Program Cache Global Unlock	
PLOCK	Lock Instruction Cache Sector	
PLOCKR	Lock Instruction Cache Relative Sector	
PUNLOCK	Unlock Instruction Cache Sector	
PUNLOCKR	Unlock Instruction Cache Relative Sector	

## 12.4 Guide to Instruction Descriptions

The following information is included in each instruction description:

- *Name and Mnemonic:* Highlighted in **bold** type for easy reference.
- *Assembler Syntax and Operation:* The syntax line for each instruction symbolically describes the corresponding operation. If several operations are indicated on a single line in the operation field, those operations may not occur in the order shown, but are generally assumed to occur in parallel. Any parallel data move is indicated in parentheses in both the assembler syntax and operation fields. An optional letter in the mnemonic appears in parentheses in the assembler syntax field.
- *Description:* Includes any special cases and/or condition code anomalies.
- *Condition Codes:* The Status Register (SR) is depicted with the condition code bits that can be affected by the instruction. Not all bits in the SR are used. Reserved bits are indicated with gray boxes.
- *Instruction Format:* The instruction fields, the instruction opcode, and the instruction extension word are specified in the instruction syntax. Optional extension words are so indicated. The values that can be assumed by each of the variables in the various instruction fields are shown under the instruction field heading.

### 12.4.1 Notation

Each instruction description contains symbols to abbreviate certain operands and operations.

**Table 12-11** lists the symbols and their respective meanings. Depending on the context, registers refer either to the register itself or to the contents of the register.

**Table 12-11.** Instruction Description Notation

Symbol	Meaning
<b>Data ALU Registers Operands</b>	
Xn	Input Register X1 or X0 (24 bits)
Yn	Input Register Y1 or Y0 (24 bits)
An	Accumulator Registers A2, A1, A0 (A2—8 bits, A1 and A0—24 bits)
Bn	Accumulator Registers B2, B1, B0 (B2—8 bits, B1 and B0—24 bits)
X	Input Register X = X1: X0 (48 bits)
Y	Input Register Y = Y1: Y0 (48 bits)
A	Accumulator A = A2: A1: A0 (56 bits)
B	Accumulator B = B2: B1: B0 (56 bits)
AB	Accumulators A and B = A1: B1 (48 bits)
BA	Accumulators B and A = B1: A1 (48 bits)
A10	Accumulator A = A1: A0 (48 bits)
B10	Accumulator B = B1: B0 (48 bits)
<b>Program Control Unit Registers Operands</b>	
PC	Program Counter Register (24 bits)
MR	Mode Register (8 bits)
CCR	Condition Code Register (8 bits)
SR	Status Register = EMR:MR:CCR (24 bits)
EOM	Extended Chip Operating Mode Register (8 bits)
COM	Chip Operating Mode Register (8 bits)
OMR	Operating Mode Register = EOM:COM (24 bits)
SZ	System Stack Size Register (24 bits)
SC	System Stack Counter Register (5 bits)
VBA	Vector Base Address (24 bits, eight set to 0)
LA	Hardware Loop Address Register (24 bits)
LC	Hardware Loop Counter Register (24 bits)
SP	System Stack Pointer Register (24 bits)
SSH	Upper Portion of the Current Top of the Stack (24 bits)
SSL	Lower Portion of the Current Top of the Stack (24 bits)
SS	System Stack RAM = SSH: SSL (16 locations by 32 bits)
<b>Address Operands</b>	
ea	Effective Address
eax	Effective Address for X Bus
eay	Effective Address for Y Bus
xxxxxx	Absolute or Long Displacement Address (24 bits)

**Table 12-11.** Instruction Description Notation (Continued)

Symbol	Meaning
xxx	Short or Short Displacement Jump Address (12 bits)
xxx	Short Displacement Jump Address (9 bits)
aaa	Short Displacement Address (7 bits, sign-extended)
aa	Absolute Short Address (6 bits, zero-extended)
pp	High I/O Short Address (6 bits, ones-extended)
qq	Low I/O Short Address (6 bits)
< . . >	Specifies the Contents of the Specified Address
X:	X Memory Reference
Y:	Y Memory Reference
L:	Long Memory Reference = X Concatenated with Y
P:	Program Memory Reference
<b>Miscellaneous Operands</b>	
S, Sn	Source Operand Register
D, Dn	Destination Operand Register
D [n]	Bit n of D Destination Operand Register
#n	Immediate Short Data (5 bits)
#xx	Immediate Short Data (8 bits)
#xxx	Immediate Short Data (12 bits)
#xxxxxx	Immediate Data (24 bits)
r	Rounding Constant
#bbbb	Operand Bit Select (5 bits)
<b>Unary Operands</b>	
-	Negation Operator
—	Logical NOT Operator (Overbar)
PUSH	Push Specified Value Onto the System Stack (SS) Operator
PULL	Pull Specified Value From the SS Operator
READ	Read the Top of the SS Operator
PURGE	Delete the Top Value on the SS Operator
	Absolute Value Operator
<b>Binary Operands</b>	
+	Addition Operator
-	Subtraction Operator
*	Multiplication Operator
÷, /	Division Operator
+	Logical Inclusive OR Operator
•	Logical AND Operator

**Table 12-11.** Instruction Description Notation (Continued)

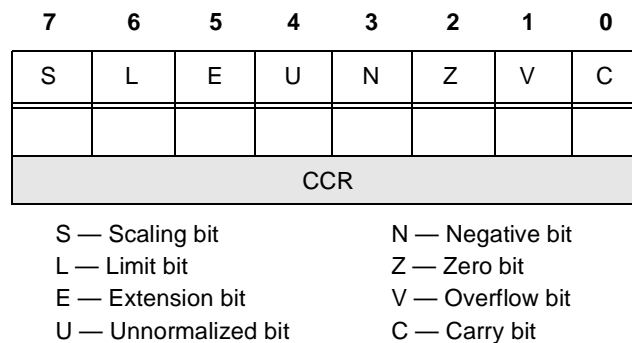
Symbol	Meaning
⊕	Logical Exclusive OR Operator
?	"Is Transferred To" Operator
:	Concatenation Operator
<b>Addressing Mode Operators</b>	
<<	I/O Short Addressing Mode Force Operator
<	Short Addressing Mode Force Operator
>	Long Addressing Mode Force Operator
#	Immediate Addressing Mode Operator
#>	Immediate Long Addressing Mode Force Operator
#<	Immediate Short Addressing Mode Force Operator
<b>Mode Register Symbols</b>	
LF	Loop Flag Bit Indicating When a DO Loop Is in Progress
DM	Double-Precision Multiply Bit Indicating if the Chip Is in Double-Precision Multiply Mode
SB	Sixteen-Bit Arithmetic Mode
RM	Rounding Mode
S1, S0	Scaling Mode Bits Indicating the Current Scaling Mode
I1, I0	Interrupt Mask Bits Indicating the Current Interrupt Priority Level
<b>Condition Code Register (CCR) Symbols</b>	
S	Block Floating Point Scaling Bit Indicating Data Growth Detection
L	Limit Bit Indicating Arithmetic Overflow and/or Data Shifting/Limiting
E	Extension Bit Indicating if the Integer Portion of Data ALU Result Is in Use
U	Unnormalized Bit Indicating if the Data ALU Result Is Unnormalized
N	Negative Bit Indicating if bit 55 of the Data ALU Result Is Set
Z	Zero Bit Indicating if the Data ALU Result Equals Zero
V	Overflow Bit Indicating if Arithmetic Overflow Occurred in Data ALU
C	Carry Bit Indicating if a Carry or Borrow Occurred in Data ALU Result
( )	Optional Letter, Operand, or Operation
(...)	Any Arithmetic or Logical Instruction That Allows Parallel Moves
EXT	Extension Register Portion of an Accumulator (A2 or B2)
LS	Least Significant
LSP	Least Significant Portion of an Accumulator (A0 or B0)
MS	Most Significant
MSP	Most Significant Portion of an Accumulator (A1 or B1)
S/L	Shifting and/or Limiting on a Data ALU Register
Sign Ext	Sign Extension of a Data ALU Register
Zero	Zeroing of a Data ALU Register

**Table 12-11.** Instruction Description Notation (Continued)

Symbol	Meaning
<b>Address ALU Registers Operands</b>	
Rn	Address Registers R[0–7] (24 bits)
Nn	Address Offset Registers N[0–7] (24 bits)
Mn	Address Modifier Registers M[0–7] (24 bits)

## 12.4.2 Condition Code Computation

The Condition Code Register (CCR) portion of the Status Register (SR[7-0]) consists of eight bits depicted in **Figure 12-6**. For a complete description of the CCR bits, refer to **Section 5.4.1.2, Status Register (SR)**, on page 5-10. The E, U, N, Z, V, and C bits are true condition code bits that reflect the condition of the result of a Data ALU operation. These condition code bits are not *sticky* and are not affected by Address ALU calculations or by data transfers over the XDB, YDB, or GDB. The L bit is a *sticky* overflow bit that indicates an overflow in the Data ALU or data limiting when the contents of the A and/or B accumulators are moved. The S bit is a *sticky* bit used in block floating-point operations to indicate the need to scale the number in A or B.

**Figure 12-6.** Condition Code Register (CCR)

Every instruction contains an illustration showing how the instruction affects the various condition codes. An instruction can affect a condition code according to three different rules, as described in **Table 12-12**.

**Table 12-12.** Instruction Effect on Condition Code

Standard Mark	Effect on the Condition Code
—	This bit is unchanged by the instruction.
√	This bit is changed by the instruction, according to the standard definition of the condition code.
*	This bit is changed by the instruction, according to a special definition of the condition code depicted as part of the instruction description.

## 12.5 Instruction Partial Encoding

This section gives the encodings for the following:

- Various groupings of registers used in the instruction encodings
- Condition Code combinations
- Addressing
- Addressing modes

The symbols used in decoding the various fields of an instruction are identical to those used in the Opcode section of the individual instruction descriptions.

### 12.5.1 Partial Encodings for Use in Instruction Encoding

**Table 12-13.** Partial Encodings for Use in Instruction Encoding

Destination/Source Accumulator Encoding		Data ALU Operands Encoding 1		Data ALU Source Operands Encoding	
D/S	d/S/D	S	J	S	JJ
A	0	X	0	X0	00
B	1	Y	1	Y0	01
				X1	10
				Y1	11
Program Control Unit Register Encoding		Data ALU Operands Encoding 2		Effective Addressing Mode Encoding 1	
Register	EE	S	JJJ	Mode	MMRRR
MR	00	B/A*	0 0 1	(Rn)–Nn	0 0 0 r r r
CCR	01	X	0 1 0	(Rn)+Nn	0 0 1 r r r
COM	10	Y	0 1 1	(Rn)–	0 1 0 r r r
EOM	11	X0	1 0 0	(Rn)+	0 1 1 r r r
		Y0	1 0 1	(Rn)	1 0 0 r r r
		X1	1 1 0	(Rn+Nn)	1 0 1 r r r
		Y1	1 1 1	–(Rn)	1 1 1 r r r
		* The source accumulator is B if the destination accumulator (selected by the <b>d</b> bit in the opcode) is A, or A if the destination accumulator is B.		Absolute address	1 1 0 0 0 0
				Immediate data	1 1 0 1 0 0
				"r r r" refers to an address register R[0–7]	
Data ALU Operands Encoding 3					
SSS/sss	S,D	qqq	S,D	ggg	S,D
000	Reserved	000	Reserved	000	B/A*
001	Reserved	001	Reserved	001	Reserved



**Table 12-13.** Partial Encodings for Use in Instruction Encoding (Continued)

010	A1	010	A0	010	Reserved
011	B1	011	B0	011	Reserved
100	X0	100	X0	100	X0
101	Y0	101	Y0	101	Y0
110	X1	110	X1	110	X1
111	Y1	111	Y1	111	Y1

\* The selected accumulator is B if the source two accumulator (selected by the **d** bit in the opcode) is A, or A if the source two accumulator is B.

Memory/Peripheral Space		Effective Addressing Mode Encoding 2		Effective Addressing Mode Encoding 3	
Space	S	Mode	MMRRR	Mode	MMRRR
X Memory	0	(Rn)–Nn	0 0 0 r r r	(Rn)–Nn	0 0 0 r r r
Y Memory	1	(Rn)+Nn	0 0 1 r r r	(Rn)+Nn	0 0 1 r r r
		(Rn)–	0 1 0 r r r	(Rn)–	0 1 0 r r r
		(Rn)+	0 1 1 r r r	(Rn)+	0 1 1 r r r
		(Rn)	1 0 0 r r r	(Rn)	1 0 0 r r r
		(Rn+Nn)	1 0 1 r r r	(Rn+Nn)	1 0 1 r r r
		–(Rn)	1 1 1 r r r	–(Rn)	1 1 1 r r r
		Absolute address	1 1 0 0 0 0		
"r r r" refers to an address register R[0–7]					
Effective Addressing Mode Encoding 4		Six-Bit Encoding for All On-Chip Registers			
Mode	MMRRR	Destination Register	D D D D D D / d d d d d d		
(Rn)–Nn	0 0 r r r	4 registers in Data ALU	0 0 0 1 D D		
(Rn)+Nn	0 1 r r r	8 accumulators in Data ALU	0 0 1 D D D		
(Rn)–	1 0 r r r	8 address registers in AGU	0 1 0 T T T		
(Rn)+	1 1 r r r	8 address offset registers in AGU	0 1 1 N N N		
"r r r" refers to an address register R[0–7]		8 address modifier registers in AGU	1 0 0 F F F		
		1 address register in AGU	1 0 1 E E E		
		2 program controller registers	1 1 0 V V V		
		8 program controller registers	1 1 1 G G G		
See <b>Table 12-14</b> for the specific encodings.					

**Table 12-14. Triple-Bit Register Encoding**

Code	1DD	DDD	TTT	NNN	FFF	EEE	VVV	GGG
000	—	A0	R0	N0	M0	—	VBA	SZ
001	—	B0	R1	N1	M1	—	SC	SR
010	—	A2	R2	N2	M2	EP	—	OMR
011	—	B2	R3	N3	M3	—	—	SP
100	X0	A1	R4	N4	M4	—	—	SSH
101	X1	B1	R5	N5	M5	—	—	SSL
110	Y0	A	R6	N6	M6	—	—	LA
111	Y1	B	R7	N7	M7	—	—	LC

**Table 12-15. Long Move Register Encoding**

S	S1	S2	S S/L	D	D1	D2	D Sign Ext	D Zero	LLL
A10	A1	A0	no	A10	A1	A0	no	no	0 0 0
B10	B1	B0	no	B10	B1	B0	no	no	0 0 1
X	X1	X0	no	X	X1	X0	no	no	0 1 0
Y	Y1	Y0	no	Y	Y1	Y0	no	no	0 1 1
A	A1	A0	yes	A	A1	A0	A2	no	1 0 0
B	B1	B0	yes	B	B1	B0	B2	no	1 0 1
AB	A	B	yes	AB	A	B	A2,B2	A0,B0	1 1 0
BA	B	A	yes	BA	B	A	B2,A2	B0,A0	1 1 1

**Table 12-16. Partial Encodings for Use in Instructions Encoding, 2**

Data ALU Source Registers Encoding		AGU Address and Offset Registers Encoding		
S	JJJ	Destination Address Register D	dddd	
B/A*	000	R[0–7]	onnn	
X0	100	N[0–7]	1nnn	
Y0	101			
X1	110			
Y1	111			

**Table 12-16.** Partial Encodings for Use in Instructions Encoding, 2 (Continued)

Data ALU Multiply Operands Encoding 1				Data ALU Multiply Operands Encoding 2	
S1 * S2	Q Q Q	S1 * S2	Q Q Q	S	Q Q
X0,X0	0 0 0	X0,Y1	1 0 0	Y1	0 0
Y0,Y0	0 0 1	Y0,X0	1 0 1	X0	0 1
X1,X0	0 1 0	X1,Y0	1 1 0	Y0	1 0
Y1,Y0	0 1 1	Y1,X1	1 1 1	X1	1 1
Only the indicated S1 * S2 combinations are valid. X1 * X1 and Y1 * Y1 are not valid.					
Data ALU Multiply Operands Encoding 3		Data ALU Multiply Operands Encoding 4			
S	qq	S1*S2	Q Q Q Q	S1*S2	Q Q Q Q
X0	0 0	X0,X0	0 0 0 0	X0,Y1	0 1 0 0
Y0	0 1	Y0,Y0	0 0 0 1	Y0,X0	0 1 0 1
X1	1 0	X1,X0	0 0 1 0	X1,Y0	0 1 1 0
Y1	1 1	Y1,Y0	0 0 1 1	Y1,X1	0 1 1 1
Data ALU Multiply Sign Encoding		X1,X1	1 0 0 0	Y1,X0	1 1 0 0
Sign	k	Y1,Y1	1 0 0 1	X0,Y0	1 1 0 1
+	0	X0,X1	1 0 1 0	Y0,X1	1 1 1 0
-	1	Y0,Y1	1 0 1 1	X1,Y1	1 1 1 1
Five-Bit Register Encoding 1				Write Control Encoding	
D/S	dddd / eeeee	D/S	dddd / eeeee	Operation	W
X0	0 0 1 0 0	B2	0 1 0 1 1	Read Register or Peripheral	0
X1	0 0 1 0 1	A1	0 1 1 0 0	Write Register or Peripheral	1
Y0	0 0 1 1 0	B1	0 1 1 0 1	ALU Registers Encoding	
Y1	0 0 1 1 1	A	0 1 1 1 0	Destination Register	D D D D
A0	0 1 0 0 0	B	0 1 1 1 1	4 registers in Data ALU	0 1 D D
B0	0 1 0 0 1	R0-R7	1 0 r r r	8 accumulators in Data ALU	1 D D D
A2	0 1 0 1 0	N0-N7	1 1 n n n	See <b>Table 12-14</b> , <i>Triple-Bit Register Encoding</i> , on page 12-20 for the specific encodings.	
"r r r" = Rn number, "n n n" = Nn number					

**Table 12-16. Partial Encodings for Use in Instructions Encoding, 2 (Continued)**

Immediate Data ALU Operand Encoding			Write Control Encoding	
n	ssss	constant	Operation	W
1	00001	010000000000000000000000	Read Register or Peripheral	0
2	00010	001000000000000000000000	Write Register or Peripheral	1
3	00011	000100000000000000000000	<b>ALU Registers Encoding</b>	
4	00100	000010000000000000000000	<b>Destination Register</b>	<b>D D D D</b>
5	00101	000001000000000000000000	4 registers in Data ALU	0 1 D D
6	00110	000000100000000000000000	8 accumulators in Data ALU	1 D D D
7	00111	000000010000000000000000	See <b>Table 12-14</b> on page -20 for the specific encodings.	
8	01000	000000001000000000000000	<b>X:Y: Move Operands Encoding</b>	
9	01001	000000000100000000000000	<b>X Effective Addressing Mode</b>	<b>MMRRR</b>
10	01010	000000000010000000000000	(Rn)+Nn	0 1 s s s
11	01011	000000000001000000000000	(Rn)–	1 0 s s s
12	01100	000000000000100000000000	(Rn)+	1 1 s s s
13	01101	000000000000010000000000	(Rn)	0 0 s s s
14	01110	000000000000001000000000	<b>Y Effective Addressing Mode</b>	<b>mmrr</b>
15	01111	0000000000000001000000000	(Rn)+Nn	0 1 t t
16	10000	0000000000000000100000000	(Rn)–	1 0 t t
17	10001	0000000000000000010000000	(Rn)+	1 1 t t
18	10010	0000000000000000001000000	(Rn)	0 0 t t
19	10011	0000000000000000000100000	where the following apply: “s s s” refers to an address register R[0–7] and “t t” refers to an address register R[4–7] or R[0–3] in the opposite address register bank from that used in the X effective address	
20	10100	000000000000000000001000		
21	10101	000000000000000000000100		
22	10110	000000000000000000000010		
<b>X:R Operand Registers Encoding</b>			<b>Signed/Unsigned Partial Encoding 1</b>	

**Table 12-16.** Partial Encodings for Use in Instructions Encoding, 2 (Continued)

S1,D1	ff	D2	F	ss/su/uu	ss
X0	00	Y0	0	ss	00
X1	01	Y1	1	su	10
A	10			uu	11
B	11			(Reserved)	01
<b>R:Y Operand Registers Encoding</b>				<b>Signed/Unsigned Partial Encoding 2</b>	
D1	e	S2,D2	ff	su/uu	s
X0	0	Y0	00	su	0
X1	1	Y1	01	uu	1
		A	10		
		B	11		
<b>Single-Bit Special Register Encoding</b>				<b>Five-Bit Register Encoding 2</b>	
d	X:R Class II Opcode	R:Y Class II Opcode		S1,D1	dddd
0	A → X:<ea>, X0 → A	Y0 → A, A → Y:<ea>		M0-M7	00nnn
1	B → X:<ea>, X0 → B	Y0 → B, B → Y:<ea>		EP	01010
<b>Move Operand Encoding</b>				VBA	10000
S1,D1	ee	S2,D2	ff	SC	10001
X0	00	Y0	00	SZ	11000
X1	01	Y1	01	SR	11001
A	10	A	10	OMR	11010
B	11	B	11	SP	11011
				SSH	11100
				SSL	11101
				LA	11110
				LC	11111
				where "n n n" = Mn number (M[0 – 7])	

**Table 12-17.** Condition Code Computation Equation

Mnemonic	"cc" Mnemonic	Condition
CC(HS)	Carry Clear (higher or same)	C = 0
CS(LO)	Carry Set (lower)	C = 1

**Table 12-17. Condition Code Computation Equation (Continued)**

Mnemonic	“cc” Mnemonic	Condition
EC	Extension Clear	$E = 0$
EQ	Equal	$Z = 1$
ES	Extension Set	$E = 1$
GE	Greater than or Equal	$N \oplus V = 0$
GT	Greater Than	$Z + (N \oplus V) = 0$
LC	Limit Clear	$L = 0$
LE	Less than or Equal	$Z + (N \oplus V) = 1$
LS	Limit Set	$L = 1$
LT	Less Than	$N \oplus V = 1$
MI	Minus	$N = 1$
NE	Not Equal	$Z = 0$
NR	Normalized	$Z + (\bar{U} \bullet \bar{E}) = 1$
PL	Plus	$N = 0$
NN	Not Normalized	$Z + (\bar{U} \bullet \bar{E}) = 0$

NOTES:  
 $\bar{U}$  denotes the logical complement of U.  
 $+$  denotes the logical OR operator.  
 $\bullet$  denotes the logical AND operator.  
 $\oplus$  denotes the logical Exclusive OR operator.

1.

**Table 12-18. Condition Codes Encoding**

Mnemonic	C C C C	Mnemonic	C C C C
CC(HS)	0 0 0 0	CS(LO)	1 0 0 0
GE	0 0 0 1	LT	1 0 0 1
NE	0 0 1 0	EQ	1 0 1 0
PL	0 0 1 1	MI	1 0 1 1
NN	0 1 0 0	NR	1 1 0 0
EC	0 1 0 1	ES	1 1 0 1
LC	0 1 1 0	LS	1 1 1 0
GT	0 1 1 1	LE	1 1 1 1

The condition code computation equations are listed in **Table 12-17**.

## 12.5.2 Parallel Instruction Encoding of the Operation Code

The operation code encoding for the instructions that allow parallel moves is divided into the multiply and non-multiply instruction encodings shown in the following subsections.

### 12.5.2.1 Multiply Instruction Encoding

The 8-bit operation code for multiply instructions allowing parallel moves has different fields than the non-multiply instruction operation code. The 8-bit operation code = **1QQQ dkkk** where

- QQQ = selects the inputs to the multiplier (see **Table 12-17**)
- kkk = three unencoded bits k2, k1, k0
- d = destination accumulator  
d = 0 → A  
d = 1 → B

**Table 12-19.** Operation Code K[0–2] Decode

Code	k2	k1	k0
0	positive	mpy only	don't round
1	negative	mpy and acc	round

### 12.5.2.2 Non-Multiply Instruction Encoding

The 8-bit operation code for instructions allowing parallel moves contains two 3-bit fields defining which instruction the operation code represents and one bit defining the destination accumulator register. The 8-bit operation code = **0 J J J D k k k** where

- J J J = 1/2 instruction number
- k k k = 1/2 instruction number
- D = 0 → A  
D = 1 → B

**Table 12-20.** Non-Multiply Instruction Encoding

J J J	D = 0 Src Oper	D = 1 Src Oper	k k k							
			0 0 0	0 0 1	0 1 0	0 1 1	1 0 0	1 0 1	1 1 0	1 1 1
0 0 0	B	A	MOVE <sup>1</sup>	TFR	ADDR	TST	*	CMP	SUBR	CMPM
0 0 1	B	A	ADD	RND	ADDL	CLR	SUB	*	SUBL	NOT
0 1 0	B	A	—	—	ASR	LSR	—	—	ABS	ROR
0 1 1	B	A	—	—	ASL	LSL	—	—	NEG	ROL
0 1 0	X1 X0	X1 X0	ADD	ADC	—	—	SUB	SBC	—	—
0 1 1	Y1 Y0	Y1 Y0	ADD	ADC	—	—	SUB	SBC	—	—

**Table 12-20. Non-Multiply Instruction Encoding (Continued)**

J J J	D = 0 Src Oper	D = 1 Src Oper	k k k							
			0 0 0	0 0 1	0 1 0	0 1 1	1 0 0	1 0 1	1 1 0	1 1 1
1 0 0	X0_0	X0_0	ADD	TFR	OR	EOR	SUB	CMP	AND	CMPM
1 0 1	Y0_0	Y0_0	ADD	TFR	OR	EOR	SUB	CMP	AND	CMPM
1 1 0	X1_0	X1_0	ADD	TFR	OR	EOR	SUB	CMP	AND	CMPM
1 1 1	Y1_0	Y1_0	ADD	TFR	OR	EOR	SUB	CMP	AND	CMPM

NOTES:  
 1. Special case 1.  
 2. \* = Reserved

**Table 12-21. Special Case1**

OPCODE	Operation
0 0 0 0 0 0 0 0	MOVE
0 0 0 0 1 0 0 0	Reserved



# Instruction Set

This chapter describes each instruction in the DSP56300 (family) core instruction set. If an instruction allows parallel moves, this is noted in both the **Operation** and the **Assembler Syntax** fields. The **MOVE** instruction is equivalent to a **NOP** with parallel moves, so a description of each parallel move accompanies the **MOVE** instruction details. When an instruction uses an accumulator as both a destination operand for data ALU operation and a source for a parallel move operation, the parallel move operation uses the value in the accumulator before any data ALU operation executes. **Table 13-1** gives the page number of each instruction. See **Chapter 12** for details on instruction formats, syntax, descriptions, groups, operand lengths, and encoding.

**Table 13-1.** DSP56300 Instruction Summary

Instruction	Page	Instruction	Page
<b>ABS</b> Absolute Value	page 13-5	<b>BRA</b> Branch Always	page 13-25
<b>ADC</b> Add Long With Carry	page 13-6	<b>BRCLR</b> Branch if Bit Clear	page 13-26
<b>ADD</b> Add	page 13-7	<b>BRKcc</b> Exit Current DO Loop Conditionally	page 13-28
<b>ADDL</b> Shift Left and Add Accumulators	page 13-9	<b>BRSET</b> Branch if Bit Set	page 13-29
<b>ADDR</b> Shift Right and Add Accumulators	page 13-10	<b>BScc</b> Branch to Subroutine Conditionally	page 13-31
<b>AND</b> Logical AND	page 13-11	<b>BSCLR</b> Branch to Subroutine if Bit Clear	page 13-32
<b>ANDI</b> AND Immediate With Control Register	page 13-13	<b>BSET</b> Bit Set and Test	page 13-34
<b>ASL</b> Arithmetic Shift Accumulator Left	page 13-14	<b>BSR</b> Branch to Subroutine	page 13-37
<b>ASR</b> Arithmetic Shift Accumulator Right	page 13-16	<b>BSSET</b> Branch to Subroutine if Bit Set	page 13-38
<b>Bcc</b> Branch Conditionally	page 13-18	<b>BTST</b> Bit Test	page 13-40
<b>BCHG</b> Bit Test and Change	page 13-19	<b>CLB</b> Count Leading Bits	page 13-42
<b>BCLR</b> Bit Test and Clear	page 13-22	<b>CLR</b> Clear Accumulator	page 13-44
<b>CMP</b> Compare	page 13-45	<b>INC</b> Increment by One	page 13-77
<b>CMPM</b> Compare Magnitude	page 13-47	<b>INSERT</b> Insert Bit Field	page 13-78

**Table 13-1.** DSP56300 Instruction Summary (Continued)

Instruction	Page	Instruction	Page
<b>CMPU</b> Compare Unsigned	page 13-48	<b>Jcc</b> Jump Conditionally	page 13-80
<b>DEBUG</b> Enter Debug Mode	page 13-49	<b>JCLR</b> Jump if Bit Clear	page 13-81
<b>DEBUGcc</b> Enter Debug Mode Conditionally	page 13-50	<b>JMP</b> Jump	page 13-83
<b>DEC</b> Decrement by One	page 13-51	<b>JScC</b> Jump to Subroutine Conditionally	page 13-84
<b>DIV</b> Divide Iteration	page 13-51	<b>JScLR</b> Jump to Subroutine if Bit Clear	page 13-85
<b>DMAC</b> Double-Precision Multiply-Accumulate With Right Shift	page 13-55	<b>JSET</b> Jump if Bit Set	page 13-87
<b>DO</b> Start Hardware Loop	page 13-56	<b>JSR</b> Jump to Subroutine	page 13-89
<b>DO FOREVER</b> Start Infinite Loop	page 13-59	<b>JSSET</b> Jump to Subroutine if Bit Set	page 13-90
<b>DOR</b> Start PC-Relative Hardware Loop	page 13-61	<b>L:</b> Long Memory Data Move	
<b>DOR FOREVER</b> Start PC-Relative Infinite Loop	page 13-65	<b>LRA</b> Load PC-Relative Address	page 13-92
<b>ENDDO</b> End Current DO Loop	page 13-67	<b>LSL</b> Logical Shift Left	page 13-93
<b>EOR</b> Logical Exclusive OR	page 13-68	<b>LSR</b> Logical Shift Right	page 13-96
<b>EXTRACT</b> Extract Bit Field	page 13-70	<b>LUA</b> Load Updated Address	page 13-98
<b>EXTRACTU</b> Extract Unsigned Bit Field	page 13-72	<b>MAC</b> Signed Multiply Accumulate	page 13-99
<b>I</b> <b>Immediate Short Data Move</b>	page 13-113	<b>MAC(su,uu)</b> Mixed Multiply Accumulate	page 13-102
<b>IFcc</b> Execute Conditionally Without CCR Update	page 13-74	<b>MACI</b> Signed Multiply Accumulate With Immediate Operand	page 13-101
<b>IFcc.U</b> Execute Conditionally With CCR Update	page 13-75	<b>MACR</b> Signed Multiply Accumulate and Round	page 13-103
<b>ILLEGAL</b> Illegal Instruction Interrupt	page 13-76	<b>MACRI</b> Signed Multiply Accumulate and Round With Immediate Operand	page 13-105
<b>MAX</b> <b>Transfer by Signed Value</b>	page 13-106	<b>MPYRI</b> Signed Multiply and Round With Immediate Operand	page 13-143
<b>MAXM</b> <b>Transfer by Magnitude</b>	page 13-107	<b>NEG</b> Negate Accumulator	page 13-144

**Table 13-1. DSP56300 Instruction Summary (Continued)**

Instruction	Page	Instruction	Page
<b>MERGE</b> Merge Two Half Words	page 13-108	<b>No Parallel Data Move</b>	page 13-112
<b>MOVE</b> Move Data	page 13-110	<b>NOP</b> No Operation	page 13-145
<b>No Parallel Data Move</b>	page 13-112	<b>NORM</b> Norm Accumulator Iteration	page 13-147
<b>I</b> Immediate Short Data Move	page 13-113	<b>NORMF</b> Fast Accumulator Normalization	page 13-147
<b>R</b> Register-to-Register Data Move	page 13-115	<b>NOT</b> Logical Complement	page 13-149
<b>U</b> Address Register Update	page 13-117	<b>OR</b> Logical Inclusive OR	page 13-150
<b>X:</b> X Memory Data Move	page 13-118	<b>ORI</b> OR Immediate With Control Register	page 13-152
<b>X:R</b> X Memory and Register Data Move	page 13-120	<b>PFLUSH</b> Program Cache Flush	page 13-153
<b>Y:</b> Y Memory Data Move	page 13-122	<b>PFLUSHUN</b> Program cache Flush Unlocked Sectors	page 13-154
<b>R:Y</b> Register and Y Memory Data Move	page 13-124	<b>PFREE</b> Program Cache Global Unlock	page 13-155
<b>L:</b> Long Memory Data Move	page 13-126	<b>PLOCK</b> Lock Instruction Cache Sector	page 13-156
<b>X:Y:</b> XY Memory Data Move	page 13-123	<b>PLOCKR</b> Lock Instruction Cache Relative Sector	page 13-157
<b>MOVEC</b> Move Control Register	page 13-130	<b>PUNLOCK</b> Unlock Instruction Cache Sector	page 13-158
<b>MOVEM</b> Move Program Memory	page 13-132	<b>PUNLOCKR</b> Unlock Instruction Cache Relative Sector	page 13-159
<b>MOVEP</b> Move Peripheral Data	page 13-134	<b>R</b> Register-to-Register Data Move	page 13-115
<b>MPY</b> Signed Multiply	page 13-137	<b>REP</b> Repeat Next Instruction	page 13-160
<b>MPY(su,uu)</b> Mixed Multiply	page 13-139	<b>RESET</b> Reset On-Chip Peripheral Devices	page 13-162
<b>MPYI</b> Signed Multiply With Immediate Operand	page 13-140	<b>RND</b> Round Accumulator	page 13-163
<b>MPYR</b> Signed Multiply and Round	page 13-141	<b>ROL</b> Rotate Left	page 13-165
<b>ROR</b> Rotate Right	page 13-166	<b>TRAP</b> Software Interrupt	page 13-179
<b>RTI</b> Return From Interrupt	page 13-168	<b>TRAPcc</b> Conditional Software Interrupt	page 13-180
<b>RTS</b> Return From Subroutine	page 13-168	<b>TST</b> Test Accumulator	page 13-181
<b>R:Y</b> Register and Y Memory Data Move	page 13-124	<b>U</b> Address Register Update	page 13-117

**Table 13-1.** DSP56300 Instruction Summary (Continued)

<b>Instruction</b>	<b>Page</b>	<b>Instruction</b>	<b>Page</b>
<b>SBC</b> Subtract Long With Carry	<b>page 13-169</b>	<b>VSL</b> Viterbi Shift Left	<b>page 13-182</b>
<b>STOP</b> Stop Instruction Processing	<b>page 13-170</b>	<b>WAIT</b> Wait for Interrupt or DMA Request	<b>page 13-183</b>
<b>SUB</b> Subtract	<b>page 13-172</b>	<b>X:</b> <b>X Memory Data Move</b>	<b>page 13-118</b>
<b>SUBL</b> Shift Left and Subtract Accumulators	<b>page 13-174</b>	<b>X:R</b> <b>X Memory and Register Data Move</b>	<b>page 13-120</b>
<b>SUBR</b> Shift Right and Subtract Accumulators	<b>page 13-175</b>	<b>X:Y:</b> XY Memory Data Move	<b>page 13-123</b>
<b>Tcc</b> Transfer Conditionally	<b>page 13-176</b>	<b>Y:</b> Y Memory Data Move	<b>page 13-122</b>
<b>TFR</b> Transfer Data ALU Register	<b>page 13-178</b>		

# ABS

## Absolute Value

# ABS

### Operation

$|D| \rightarrow D$  (parallel move)

### Assembler Syntax

ABS D (parallel move)

### Instruction Fields

{D} d Destination accumulator [A,B] (see **Table 12-13** on page 12-18)

**Description** Take the absolute value of the destination operand D and store the result in the destination accumulator.

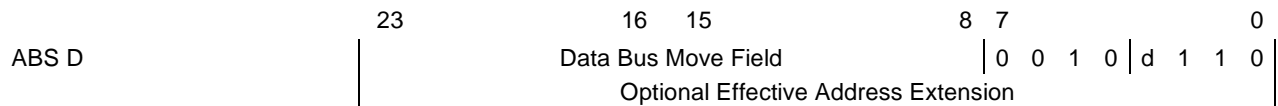
### Condition Codes

7	6	5	4	3	2	1	0
S	L	E	U	N	Z	V	C
√	√	√	√	√	√	√	—
CCR							

√ Changed according to the standard definition.

— Unchanged by the instruction.

### Instruction Formats and Opcodes



# ADC

## Add Long With Carry

# ADC

**Operation**

**Assembler Syntax**

$S + C + D \rightarrow D$  (parallel move)

ADC S,D (parallel move)

**Instruction Fields**

- {S} J Source register [X,Y] (see **Table 12-13** on page 12-18)
- {D} d Destination accumulator [A,B] (see **Table 12-13** on page 12-18)

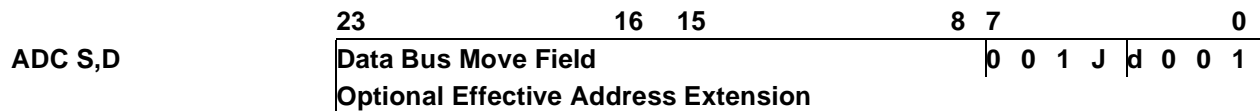
**Description** Add the source operand S and the Carry bit (C) of the Condition Code Register (CCR) to the destination operand D and store the result in the destination accumulator. Long words (48 bits) can be added to the 56-bit destination accumulator. Note that the Carry bit is set correctly for multiple-precision arithmetic using long-word operands if the extension register of the destination accumulator (A2 or B2) is the sign extension of bit 47 of the destination accumulator (A or B).

**Condition Codes**

7	6	5	4	3	2	1	0
S	L	E	U	N	Z	V	C
√	√	√	√	√	√	√	√
CCR							

√ Changed according to the standard definition.

**Instruction Formats and Opcodes**



# ADD

## Add

# ADD

Operation	Assembler Syntax
$S + D \rightarrow D$ (parallel move)	ADD S,D (parallel move)
$\#xx + D \rightarrow D$	ADD #xx,D
$\#xxxx + D \rightarrow D$	ADD #xxxx,D

### Instruction Fields

{S}	JJJ	Source register [B/A,X,Y,X0,Y0,X1,Y1] (see <b>Table 12-13</b> on page 12-18)
{D}	d	Destination accumulator [A/B] (see <b>Table 12-13</b> on page 12-18)
{#xx}	iiiiii	6-bit Immediate Short Data
{#xxxx}		24-bit Immediate Long Data extension word

**Description** Add the source operand S to the destination operand D and store the result in the destination accumulator. The source can be a register (24-bit word, 48-bit long word, or 56-bit accumulator), 6-bit short immediate, or 24-bit long immediate. When 6-bit immediate data is used, the data is interpreted as an unsigned integer. That is, the six bits are right-aligned and the remaining bits are zeroed to form a 24-bit source operand. Note that the Carry bit (C) is set correctly using word or long-word source operands if the extension register of the destination accumulator (A2 or B2) is the sign extension of bit 47 of the destination accumulator (A or B). Thus, the C bit is always set correctly using accumulator source operands, but it can be set incorrectly if A1, B1, A10, B10 or immediate operand are used as source operands and A2 and B2 are not replicas of bit 47.

### Condition Codes

7	6	5	4	3	2	1	0
S	L	E	U	N	Z	V	C
√	√	√	√	√	√	√	√
CCR							

√ Changed according to the standard definition.

# ADD

## Add

# ADD

### Instruction Formats and Opcodes

ADD S,D	<table border="0"> <tr> <td style="text-align: right;">23</td> <td style="text-align: center;">16</td> <td style="text-align: center;">15</td> <td style="text-align: center;">8</td> <td style="text-align: center;">7</td> <td style="text-align: right;">0</td> </tr> <tr> <td colspan="3">Data Bus Move Field</td> <td colspan="3">  0 J J J   d 0 0 0</td> </tr> <tr> <td colspan="6">Optional Effective Address Extension</td> </tr> </table>	23	16	15	8	7	0	Data Bus Move Field			0 J J J   d 0 0 0			Optional Effective Address Extension					
23	16	15	8	7	0														
Data Bus Move Field			0 J J J   d 0 0 0																
Optional Effective Address Extension																			
ADD #xx,D	<table border="0"> <tr> <td style="text-align: right;">23</td> <td style="text-align: center;">16</td> <td style="text-align: center;">15</td> <td style="text-align: center;">8</td> <td style="text-align: center;">7</td> <td style="text-align: right;">0</td> </tr> <tr> <td colspan="6">  0 0 0 0 0 0 0 1 0 1 i i i i i i 1 0 0 0 d 0 0 0  </td> </tr> </table>	23	16	15	8	7	0	0 0 0 0 0 0 0 1 0 1 i i i i i i 1 0 0 0 d 0 0 0											
23	16	15	8	7	0														
0 0 0 0 0 0 0 1 0 1 i i i i i i 1 0 0 0 d 0 0 0																			
ADD #xxxx,D	<table border="0"> <tr> <td style="text-align: right;">23</td> <td style="text-align: center;">16</td> <td style="text-align: center;">15</td> <td style="text-align: center;">8</td> <td style="text-align: center;">7</td> <td style="text-align: right;">0</td> </tr> <tr> <td colspan="6">  0 0 0 0 0 0 0 1 0 1 0 0 0 0 0 0 1 1 0 0 d 0 0 0  </td> </tr> <tr> <td colspan="6">Immediate Data Extension</td> </tr> </table>	23	16	15	8	7	0	0 0 0 0 0 0 0 1 0 1 0 0 0 0 0 0 1 1 0 0 d 0 0 0						Immediate Data Extension					
23	16	15	8	7	0														
0 0 0 0 0 0 0 1 0 1 0 0 0 0 0 0 1 1 0 0 d 0 0 0																			
Immediate Data Extension																			



# ADDL

## Shift Left and Add Accumulators

# ADDL

### Operation

$S + 2 * D \rightarrow D$  (parallel move)

### Assembler Syntax

ADDL S,D (parallel move)

### Instruction Fields

- {D} d Destination accumulator [A,B] (see **Table 12-13** on page 12-18)
- {S} The source accumulator is B if the destination accumulator (selected by the **d** bit in the opcode) is A, or A if the destination accumulator is B.

**Description** Add the source operand S to two times the destination operand D and store the result in the destination accumulator. The destination operand D is arithmetically shifted one bit to the left, and a 0 is shifted into the LSB of D prior to the addition operation. The Carry bit (C) is set correctly if the source operand does not overflow as a result of the left shift operation. The Overflow bit (V) may be set as a result of either the shifting or addition operation (or both). This instruction is useful for efficient divide and Decimation-In-Time (DIT) FFT algorithms.

### Condition Codes

7	6	5	4	3	2	1	0
S	L	E	U	N	Z	V	C
÷	÷	÷	÷	÷	÷	*	÷
CCR							

- \* V Set if overflow has occurred in the A or B result or the MSB of the destination operand is changed as a result of the instruction's left shift.
- √ Changed according to the standard definition.

### Instruction Formats and Opcodes

ADDL S,D	23	16	15	8	7	0
	Data Bus Move Field			0	0	0
	Optional Effective Address Extension			1	d	0
						1
						0

**ADDR****Shift Right and Add Accumulators****ADDR****Operation****Assembler Syntax****S + D / 2 → D** (parallel move)**ADDR S,D** (parallel move)**Instruction Fields**

- {D}**      **d**      Destination accumulator [A,B] (see **Table 12-13** on page 12-18)
- {S}**      The source accumulator is B if the destination accumulator (selected by the **d** bit in the opcode) is A, or A if the destination accumulator is B.

**Description** Add the source operand S to one-half the destination operand D and store the result in the destination accumulator. The destination operand D is arithmetically shifted one bit to the right while the MS bit of D is held constant prior to the addition operation. In contrast to the ADDL instruction, the Carry bit (C) is always set correctly, and the Overflow bit (V) can only be set by the addition operation and not by an overflow due to the initial shifting operation. This instruction is useful for efficient divide and Decimation-In-Time (DIT) FFT algorithms.

**Condition Codes**

<b>7</b>	<b>6</b>	<b>5</b>	<b>4</b>	<b>3</b>	<b>2</b>	<b>1</b>	<b>0</b>
<b>S</b>	<b>L</b>	<b>E</b>	<b>U</b>	<b>N</b>	<b>Z</b>	<b>V</b>	<b>C</b>
√	√	√	√	√	√	√	√
<b>CCR</b>							

√ Changed according to the standard definition.

**Instruction Formats and Opcodes**

ADDR S,D	<table style="border-collapse: collapse; width: 100%;"> <tr> <td style="text-align: right; padding: 2px;"><b>23</b></td> <td style="padding: 2px;"></td> <td style="text-align: right; padding: 2px;"><b>16 15</b></td> <td style="padding: 2px;"></td> <td style="text-align: right; padding: 2px;"><b>8 7</b></td> <td style="padding: 2px;"></td> <td style="text-align: right; padding: 2px;"><b>0</b></td> </tr> <tr> <td colspan="3" style="padding: 2px;"><b>Data Bus Move Field</b></td> <td colspan="4" style="padding: 2px;">  0 0 0 0   <b>d</b> 0 1 0  </td> </tr> <tr> <td colspan="7" style="padding: 2px;"><b>Optional Effective Address Extension</b></td> </tr> </table>	<b>23</b>		<b>16 15</b>		<b>8 7</b>		<b>0</b>	<b>Data Bus Move Field</b>			0 0 0 0   <b>d</b> 0 1 0				<b>Optional Effective Address Extension</b>						
<b>23</b>		<b>16 15</b>		<b>8 7</b>		<b>0</b>																
<b>Data Bus Move Field</b>			0 0 0 0   <b>d</b> 0 1 0																			
<b>Optional Effective Address Extension</b>																						

# AND

## Logical AND

# AND

Operation		Assembler Syntax
$S \cdot D[47-24] \rightarrow D[47-24]$	(parallel move)	AND S,D (parallel move)
$\#xx \cdot D[47-24] \rightarrow D[47-24]$		AND #xx,D
$\#xxxx \cdot D[47-24] \rightarrow D[47-24]$		AND #xxxx,D

where  $\cdot$  denotes the logical AND operator

### Instruction Fields

{S}	JJ	Source input register [X0,X1,Y0,Y1] (see <b>Table 12-13</b> on page 12-18)
{D}	d	Destination accumulator [A/B] (see <b>Table 12-13</b> on page 12-18)
{#xx}	iiii	6-bit Immediate Short Data
{#xxxx}		24-bit Immediate Long Data extension word

**Description** Logically AND the source operand S with bits 47–24 of the destination operand D and store the result in bits 47–24 of the destination accumulator. The source can be a 24-bit register, 6-bit short immediate, or 24-bit long immediate. This instruction is a 24-bit operation. The remaining bits of the destination operand D are not affected. When 6-bit immediate data is used, the data is interpreted as an unsigned integer. That is, the six bits are right aligned and the remaining bits are zeroed to form a 24-bit source operand.

### Condition Codes

7	6	5	4	3	2	1	0
S	L	E	U	N	Z	V	C
√	—	—	—	*	*	*	—
<b>CCR</b>							

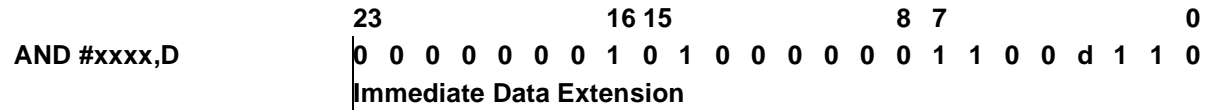
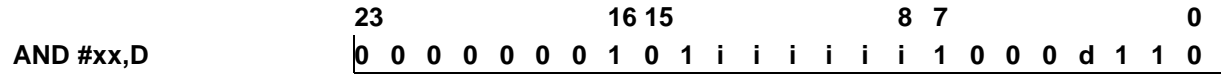
- \* N Set if bit 47 of the result is set.
- \* Z Set if bits 47–24 of the result are 0.
- \* V Always cleared.
- √ Changed according to the standard definition.
- Unchanged by the instruction.

# AND

## Logical AND

# AND

### Instruction Formats and Opcodes



# ANDI

## AND Immediate With Control Register

# ANDI

### Operation

#xx • D → D

where • denotes the logical AND operator

### Assembler Syntax

AND(I) #xx,D

### Instruction Fields

{D}	EE	Program Controller register [MR,CCR,COM,EOM] (see <b>Table 12-13</b> on page 12-18)
{#xx}	iiiiiii	Immediate Short Data

**Description** Logically AND the 8-bit immediate operand (#xx) with the contents of the destination control register D and store the result in the destination control register. The condition codes are affected only when the Condition Code Register (CCR) is specified as the destination operand.

### Condition Codes

7	6	5	4	3	2	1	0
S	L	E	U	N	Z	V	C
*	*	*	*	*	*	*	*
CCR							

### For CCR Operand

- \* S Cleared if bit 7 of the immediate operand is cleared.
- \* L Cleared if bit 6 of the immediate operand is cleared.
- \* E Cleared if bit 5 of the immediate operand is cleared.
- \* U Cleared if bit 4 of the immediate operand is cleared.
- \* N Cleared if bit 3 of the immediate operand is cleared.
- \* Z Cleared if bit 2 of the immediate operand is cleared.
- \* V Cleared if bit 1 of the immediate operand is cleared.
- \* C Cleared if bit 0 of the immediate operand is cleared.

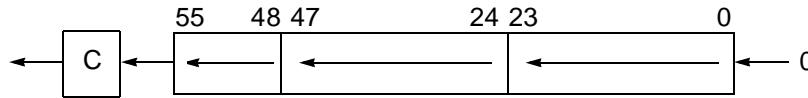
### For MR and OMR Operands

The condition codes are not affected using these operands.

### Instruction Formats and Opcodes

	23		16 15		8 7		0																
AND(I) #xx,D	0	0	0	0	0	0	0	0	i	i	i	i	i	i	i	1	0	1	1	1	0	E	E

## Operation



## Assembler Syntax

```
ASL D (parallel move)
ASL #ii,S2,D
ASL S1,S2,D
```

## Instruction Fields

{S2}	<b>S</b>	Source accumulator [A,B] (see <b>Table 12-13</b> on page 12-18)
{D}	<b>D</b>	Destination accumulator [A,B] (see <b>Table 12-13</b> on page 12-18)
{S1}	<b>sss</b>	Control register [X0,X1,Y0,Y1,A1,B1]
{#ii}	<b>iiii</b>	6-bit unsigned integer [0–40] denoting the shift amount

In the control register S1: bits 5–0 (LSB) are used as the #ii field, and the rest of the register is ignored.

## Description

- *Single bit shift:* Arithmetically shift the destination accumulator D one bit to the left and store the result in the destination accumulator. The MSB of D prior to instruction execution is shifted into the Carry bit (C) and a 0 is shifted into the LSB of the destination accumulator D.
- *Multi-bit shift:* The contents of the source accumulator S2 are shifted left #ii bits. Bits shifted out of position 55 are lost except for the last bit, which is latched in the C bit. The vacated positions on the right are zero-filled. The result is placed into destination accumulator D. The number of bits to shift is determined by the 6-bit immediate field in the instruction, or by the 6-bit unsigned integer located in the six LSBs of the control register S1. If a zero shift count is specified, the C bit is cleared. The difference between ASL and LSL is that ASL operates on the entire 56 bits of the accumulator, and therefore, sets the Overflow bit (V) if the number overflows.

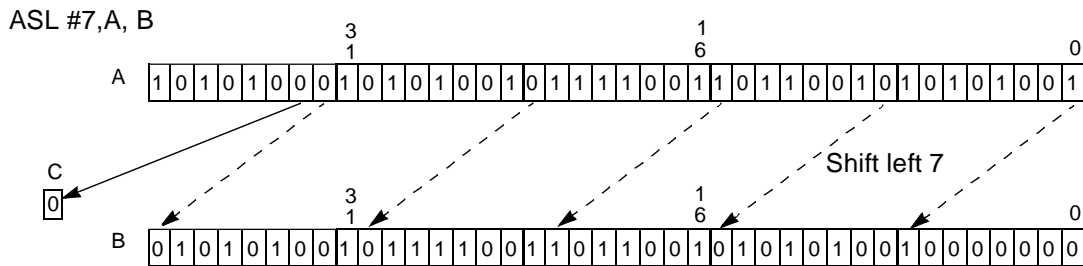
This is a 56-bit operation.

### Condition Codes

7	6	5	4	3	2	1	0
S	L	E	U	N	Z	V	C
÷	÷	÷	÷	÷	÷	*	*
CCR							

- \* V Set if bit 55 is changed any time during the shift operation, cleared otherwise.
- \* C Set if the last bit shifted out of the operand is set, cleared for a shift count of 0, and cleared otherwise.
- √ Changed according to the standard definition.

### Example



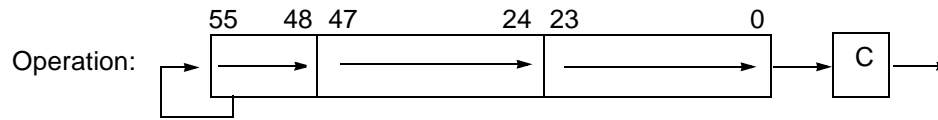
### Instruction Formats and Opcodes

ASL	D	23	Data Bus Move Field											8	7	0					
														0	0	1	1	d	0	1	0
			Optional Effective Address Extension																		
ASL	#i,S2,D	23	0 0 0 0 1 1 0 0 0 0 0 1 1 1 0 1											8	7	0					
														S	i	i	i	i	i	i	D
ASL	S1,S2,D	23	0 0 0 0 1 1 0 0 0 0 0 1 1 1 1 0											8	7	0					
														0	1	0	S	s	s	s	D

# ASR

## Arithmetic Shift Accumulator Right

# ASR



### Assembler Syntax

```
ASR D (parallel move)
ASR #ii, S2, D
ASR S1, S2, D
```

### Instruction Fields

{S2}	S	Source accumulator [A,B]
{D}	D	Destination accumulator [A,B] (see <b>Table 12-13</b> on page 12-18)
{S1}	sss	Control register [X0,X1,Y0,Y1,A1,B1]
{#ii}	iiiiii	6-bit unsigned integer [0–40] denoting the shift amount

In the control register S1: bits 5–0 (LSB) are used as the #ii field, and the rest of the register is ignored.

### Description

- *Single bit shift:* Arithmetically shift the destination operand D one bit to the right and store the result in the destination accumulator. The LSB of D prior to instruction execution is shifted into the Carry bit (C), and the MSB of D is held constant.
- *Multi-bit shift:* The contents of the source accumulator S2 are shifted right #ii bits. Bits shifted out of position 0 are lost except for the last bit, which is latched in the C bit. Copies of the MSB are supplied to the vacated positions on the left. The result is placed into destination accumulator D. The number of bits to shift is determined by the 6-bit immediate field in the instruction, or by the 6-bit unsigned integer located in the six LSBs of the control register S1. If a zero shift count is specified, the C bit is cleared.

This is a 56- or 40-bit operation, depending on the SA bit value in the SR.

**Note:** If the number of shifts indicated by the six LSBs of the control register or by the immediate field exceeds the value of 55 (40 in Sixteen-bit Arithmetic mode), then the result is undefined.



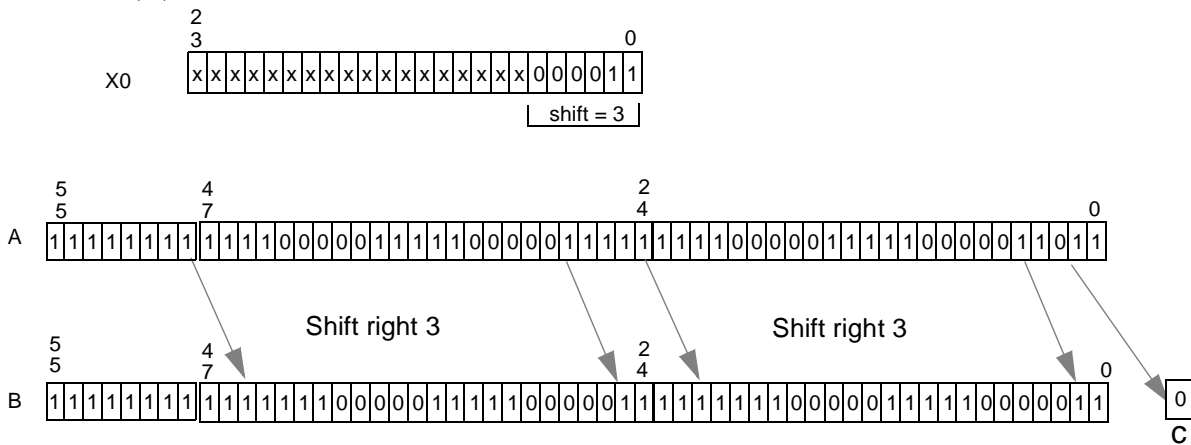
### Condition Codes

7	6	5	4	3	2	1	0
S	L	E	U	N	Z	V	C
÷	÷	÷	÷	÷	÷	*	*
CCR							

- \* V This bit is always cleared.
- \* C This bit is set if the last bit shifted out of the operand is set, cleared for a shift count of 0, and cleared otherwise.
- √ Changed according to the standard definition.

### Example

ASR X0,A,B



### Instruction Formats and Opcodes

ASR	D	23	8	7	0		
		Data Bus Move Field			0 0 1 0 d 0 1 0		
		Optional Effective Address Extension					
ASR	#i,S2,D	23	16	15	8	7	0
		0 0 0 0 1 1 0 0 0 0 0 1 1 1 0 0	S	i i i i i i i	D		
ASR	S1,S2,D	23	16	15	8	7	0
		0 0 0 0 1 1 0 0 0 0 0 1 1 1 1 0	0 0 1 1	S	s s s s	D	

# Bcc

## Branch Conditionally

# Bcc

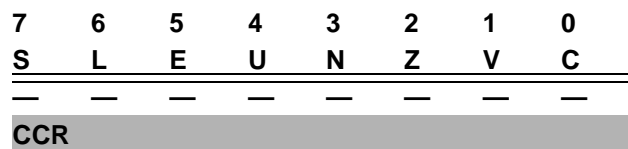
Operation	Assembler Syntax
If cc, then PC + xxxx → PC else PC + 1 → PC	Bcc xxxx
If cc, then PC + xxx → PC else PC + 1 → PC	Bcc xxx
If cc, then PC + Rn → PC else PC + 1 → PC	Bcc Rn

### Instruction Fields

{cc}	CCCC	Condition code (see <b>Table 12-13</b> on page 12-18)
{xxxx}		24-bit PC Relative Long Displacement
{xxx}	aaaaaaaa	Signed PC Relative Short Displacement
{Rn}	RRR	Address register [R[0–7]]

**Description** If the specified condition is true, program execution continues at location PC + displacement. If the specified condition is false, the PC is incremented and program execution continues sequentially. The displacement is a two’s-complement 24-bit integer that represents the relative distance from the current PC to the destination PC. Short Displacement and Address Register PC Relative addressing modes can be used. The Short Displacement 9-bit data is sign-extended to form the PC relative displacement. The conditions that the term “cc” can specify are listed on **Table 12-17** on page 12-23.

### Condition Codes



— Unchanged by the instruction.

### Instruction Formats and Opcodes

Bcc	xxxx	23	16 15	8 7	0
		0 0 0 0 0 1 0 1	C C C C 0 1	a a a a 0 a a a a a	
PC Relative Placement					
Bcc	xxx	23	16 15	8 7	0
		0 0 0 0 0 1 0 1	C C C C 0 1	a a a a 0 a a a a a	
Bcc	Rn	23	16 15	8 7	0
		0 0 0 0 1 1 0 1	0 0 0 1 1	R R R 0 1 0 0	C C C C

Operation		Assembler Syntax
D[n] → C	$\overline{D[n]} \rightarrow D[n]$	BCHG #n,[X or Y]:ea
D[n] → C	$\overline{D[n]} \rightarrow D[n]$	BCHG #n,[X or Y]:aa
D[n] → C	$\overline{D[n]} \rightarrow D[n]$	BCHG #n,[X or Y]:pp
D[n] → C	$\overline{D[n]} \rightarrow D[n]$	BCHG #n,[X or Y]:qq
D[n] → C	$\overline{D[n]} \rightarrow D[n]$	BCHG #n,D

### Instruction Fields

{#n}	bbbb	Bit number [0–23]
{ea}	MMRRR	Effective Address (see <b>Table 12-13</b> on page 12-18)
{X/Y}	S	Memory Space [X,Y] (see <b>Table 12-13</b> on page 12-18)
{aa}	aaaaa	Absolute Address [0–63]
{pp}	ppppp	I/O Short Address [64 addresses: \$FFFC0–\$FFFFFF]
{qq}	qqqqq	I/O Short Address [64 addresses: \$FFF80–\$FFFBF]
{D}	DDDDD	Destination register [all on-chip registers] (see <b>Table 12-13</b> on page 12-18)

**Description** Test the  $n^{\text{th}}$  bit of the destination operand D, complement it, and store the result in the destination location. The state of the  $n^{\text{th}}$  bit is stored in the Carry bit (C) of the CCR. The bit to be tested is selected by an immediate bit number from 0–23. This instruction performs a read-modify-write operation on the destination location using two destination accesses before releasing the bus. This instruction provides a test-and-change capability, which is useful for synchronizing multiple processors using a shared memory. This instruction can use all memory alterable addressing modes.

### Condition Codes

7	6	5	4	3	2	1	0
S	L	E	U	N	Z	V	C
*	*	*	*	*	*	*	*
CCR							

For destination operand SR:

- \* C Complemented if bit 0 is specified, unaffected otherwise.
- \* V Complemented if bit 1 is specified, unaffected otherwise.

## Instruction Set

- \* **Z** Complemented if bit 2 is specified, unaffected otherwise.
- \* **N** Complemented if bit 3 is specified, unaffected otherwise.
- \* **U** Complemented if bit 4 is specified, unaffected otherwise.
- \* **E** Complemented if bit 5 is specified, unaffected otherwise.
- \* **L** Complemented if bit 6 is specified, unaffected otherwise.
- \* **S** Complemented if bit 7 is specified, unaffected otherwise.

For other destination operands:

- \* **C** Set if bit tested is set, and cleared otherwise.
- \* **V** Not affected.
- \* **Z** Not affected.
- \* **N** Not affected.
- \* **U** Not affected.
- \* **E** Not affected.
- \* **L** Set according to the standard definition.
- \* **S** Set according to the standard definition.

## MR Status Bits

For destination operand SR:

- \* **I0** Changed if bit 8 is specified, unaffected otherwise.
- \* **I1** Changed if bit 9 is specified, unaffected otherwise.
- \* **S0** Changed if bit 10 is specified, unaffected otherwise.
- \* **S1** Changed if bit 11 is specified, unaffected otherwise.
- \* **FV** Changed if bit 12 is specified, unaffected otherwise.
- \* **SM** Changed if bit 13 is specified, unaffected otherwise.
- \* **RM** Changed if bit 14 is specified, unaffected otherwise.
- \* **LF** Changed if bit 15 is specified, unaffected otherwise.

For other destination operands: MR status bits are not affected.

### Instruction Formats and Opcodes

BCHG #n,[X or Y]:ea	<table border="1"> <tr> <td>23</td> <td>16 15</td> <td>8 7</td> <td>0</td> </tr> <tr> <td>0 0 0 0 1 0 1 1 0 1</td> <td>M M M R R R</td> <td>O S 0 0</td> <td>b b b b</td> </tr> <tr> <td colspan="4" style="text-align: center;">Optional Effective Address Extension</td> </tr> </table>	23	16 15	8 7	0	0 0 0 0 1 0 1 1 0 1	M M M R R R	O S 0 0	b b b b	Optional Effective Address Extension			
23	16 15	8 7	0										
0 0 0 0 1 0 1 1 0 1	M M M R R R	O S 0 0	b b b b										
Optional Effective Address Extension													
BCHG #n,[X or Y]:aa	<table border="1"> <tr> <td>23</td> <td>16 15</td> <td>8 7</td> <td>0</td> </tr> <tr> <td>0 0 0 0 1 0 1 1 0 0</td> <td>a a a a a a</td> <td>0 S 0 0</td> <td>b b b b</td> </tr> </table>	23	16 15	8 7	0	0 0 0 0 1 0 1 1 0 0	a a a a a a	0 S 0 0	b b b b				
23	16 15	8 7	0										
0 0 0 0 1 0 1 1 0 0	a a a a a a	0 S 0 0	b b b b										
BCHG #n,[X or Y]:pp	<table border="1"> <tr> <td>23</td> <td>16 15</td> <td>8 7</td> <td>0</td> </tr> <tr> <td>0 0 0 0 1 0 1 1 1 0</td> <td>p p p p p p</td> <td>0 S 0 0</td> <td>b b b b</td> </tr> </table>	23	16 15	8 7	0	0 0 0 0 1 0 1 1 1 0	p p p p p p	0 S 0 0	b b b b				
23	16 15	8 7	0										
0 0 0 0 1 0 1 1 1 0	p p p p p p	0 S 0 0	b b b b										
BCHG #n,[X or Y]:qq	<table border="1"> <tr> <td>23</td> <td>16 15</td> <td>8 7</td> <td>0</td> </tr> <tr> <td>0 0 0 0 0 0 0 1 0 1</td> <td>q q q q q q</td> <td>0 S 0</td> <td>b b b b</td> </tr> </table>	23	16 15	8 7	0	0 0 0 0 0 0 0 1 0 1	q q q q q q	0 S 0	b b b b				
23	16 15	8 7	0										
0 0 0 0 0 0 0 1 0 1	q q q q q q	0 S 0	b b b b										
BCHG #n,D	<table border="1"> <tr> <td>23</td> <td>16 15</td> <td>8 7</td> <td>0</td> </tr> <tr> <td>0 0 0 0 1 0 1 1 1 1</td> <td>D D D D D D</td> <td>0 1 0</td> <td>b b b b</td> </tr> </table>	23	16 15	8 7	0	0 0 0 0 1 0 1 1 1 1	D D D D D D	0 1 0	b b b b				
23	16 15	8 7	0										
0 0 0 0 1 0 1 1 1 1	D D D D D D	0 1 0	b b b b										

# BCLR

## Bit Test and Clear

# BCLR

Operation		Assembler Syntax	
D[n] → C	0 → D[n]	BCLR	#n,[X or Y]:ea
D[n] → C	0 → D[n]	BCLR	#n,[X or Y]:aa
D[n] → C	0 → D[n]	BCLR	#n,[X or Y]:pp
D[n] → C	0 → D[n]	BCLR	#n,[X or Y]:qq
D[n] → C	0 → D[n]	BCLR	#n,D

### Instruction Fields

{#n}	bbbb	Bit number [0–23]
{ea}	MMMRRR	Effective Address (see <b>Table 12-13</b> on page 12-18)
{X/Y}	S	Memory Space [X,Y] (see <b>Table 12-13</b> on page 12-18)
{aa}	aaaaaa	Absolute Address [0–63]
{pp}	pppppp	I/O Short Address [64 addresses: \$FFFFC0–\$FFFFFF]
{qq}	qqqqqq	I/O Short Address [64 addresses: \$FFFF80–\$FFFFBF]
{D}	DDDDDD	Destination register [all on chip registers, except A and B; however, you can use A0, A1,A2, B0, B1, and B2] (see <b>Table 12-13</b> on page 12-18)

**Description** Test the  $n^{\text{th}}$  bit of the destination operand D, clear it and store the result in the destination location. The state of the  $n^{\text{th}}$  bit is stored in the Carry bit (C) of the CCR. The bit to be tested is selected by an immediate bit number from 0–23. This instruction performs a read-modify-write operation on the destination location using two destination accesses before releasing the bus. This instruction provides a test-and-clear capability, which is useful for synchronizing multiple processors using a shared memory. This instruction can use all memory alterable addressing modes.

### Condition Codes

7	6	5	4	3	2	1	0
<b>S</b>	<b>L</b>	<b>E</b>	<b>U</b>	<b>N</b>	<b>Z</b>	<b>V</b>	<b>C</b>
*	*	*	*	*	*	*	*
<b>CCR</b>							

For destination operand SR:

- \* C Cleared if bit 0 is specified, unaffected otherwise.
- \* V Cleared if bit 1 is specified, unaffected otherwise.
- \* Z Cleared if bit 2 is specified, unaffected otherwise.

- \* N Cleared if bit 3 is specified, unaffected otherwise.
- \* U Cleared if bit 4 is specified, unaffected otherwise.
- \* E Cleared if bit 5 is specified, unaffected otherwise.
- \* L Cleared if bit 6 is specified, unaffected otherwise.
- \* S Cleared if bit 7 is specified, unaffected otherwise.

For other destination operands:

- \* C This bit is set if bit tested is set, and cleared otherwise.
- \* V Unaffected.
- \* Z Unaffected.
- \* N Unaffected.
- \* U Unaffected.
- \* E Unaffected.
- \* L This bit is set according to the standard definition.
- \* S This bit is set according to the standard definition.

#### **MR Status Bits**

For destination operand SR:

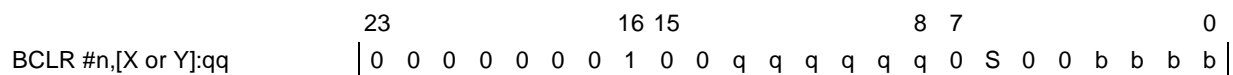
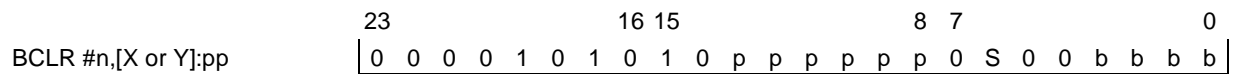
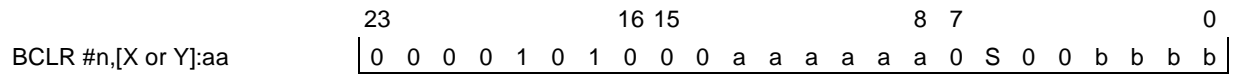
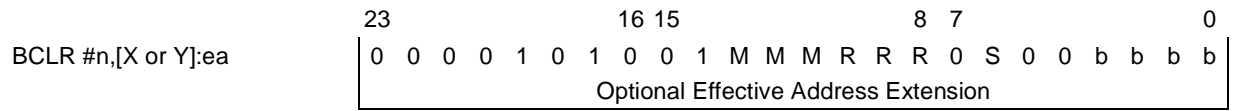
- \* I0 Changed if bit 8 is specified, unaffected otherwise.
- \* I1 Changed if bit 9 is specified, unaffected otherwise.
- \* S0 Changed if bit 10 is specified, unaffected otherwise.
- \* S1 Changed if bit 11 is specified, unaffected otherwise.
- \* FV Changed if bit 12 is specified, unaffected otherwise.
- \* SM Changed if bit 13 is specified, unaffected otherwise.
- \* RM Changed if bit 14 is specified, unaffected otherwise.
- \* LF Changed if bit 15 is specified, unaffected otherwise.

# BCLR

## Bit Test and Clear

# BCLR

### Instruction Formats and Opcodes





# BRA

## Branch Always

# BRA

Operation	Assembler Syntax
PC + xxxx → Pc	BRA xxxx
PC + xxx → Pc	BRA xxx
PC + Rn → Pc	BRA Rn

### Instruction Fields

{xxxx}		24-bit PC-Relative Long Displacement
{xxx}	aaaaaaaa	Signed PC-Relative Short Displacement
{Rn}	RRR	Address register [R[0–7]]

**Description** Program execution continues at location PC + displacement. The displacement is a two's-complement 24-bit integer that represents the relative distance from the current PC to the destination PC. Short Displacement and Address Register PC Relative addressing modes may be used. The Short Displacement 9-bit data is sign-extended to form the PC relative displacement.

### Condition Codes

7	6	5	4	3	2	1	0
S	L	E	U	N	Z	V	C
—	—	—	—	—	—	—	—
CCR							

— Unchanged by the instruction.

### Instruction Formats and Opcodes

BRA	xxxx	<table border="1" style="border-collapse: collapse; width: 100%;"> <tr> <td style="text-align: right;">23</td> <td style="text-align: right;">16 15</td> <td style="text-align: right;">8 7</td> <td style="text-align: right;">0</td> </tr> <tr> <td style="text-align: center;">0 0 0 0 1 1 0 1 0 0 0 1 0 0 0 0 1 1 0 0 0 0 0 0</td> <td colspan="3" style="text-align: center;">PC-Relative Displacement</td> </tr> </table>	23	16 15	8 7	0	0 0 0 0 1 1 0 1 0 0 0 1 0 0 0 0 1 1 0 0 0 0 0 0	PC-Relative Displacement		
23	16 15	8 7	0							
0 0 0 0 1 1 0 1 0 0 0 1 0 0 0 0 1 1 0 0 0 0 0 0	PC-Relative Displacement									
BRA	xxx	<table border="1" style="border-collapse: collapse; width: 100%;"> <tr> <td style="text-align: right;">23</td> <td style="text-align: right;">16 15</td> <td style="text-align: right;">8 7</td> <td style="text-align: right;">0</td> </tr> <tr> <td style="text-align: center;">0 0 0 0 0 1 0 1 0 0 0 0 1 1 a a a a 0 a a a a a</td> <td colspan="3"></td> </tr> </table>	23	16 15	8 7	0	0 0 0 0 0 1 0 1 0 0 0 0 1 1 a a a a 0 a a a a a			
23	16 15	8 7	0							
0 0 0 0 0 1 0 1 0 0 0 0 1 1 a a a a 0 a a a a a										
BRA	Rn	<table border="1" style="border-collapse: collapse; width: 100%;"> <tr> <td style="text-align: right;">23</td> <td style="text-align: right;">16 15</td> <td style="text-align: right;">8 7</td> <td style="text-align: right;">0</td> </tr> <tr> <td style="text-align: center;">0 0 0 0 1 1 0 1 0 0 0 1 1 R R R 1 1 0 0 0 0 0 0</td> <td colspan="3"></td> </tr> </table>	23	16 15	8 7	0	0 0 0 0 1 1 0 1 0 0 0 1 1 R R R 1 1 0 0 0 0 0 0			
23	16 15	8 7	0							
0 0 0 0 1 1 0 1 0 0 0 1 1 R R R 1 1 0 0 0 0 0 0										

# BRCLR

## Branch if Bit Clear

# BRCLR

Operation					Assembler Syntax
If	S{n}=0	then	PC + xxxx	→ PC	BRCLR #n,[X or Y]:ea,xxxx
		else	PC + 1	→ PC	
If	S{n}=0	then	PC + xxxx	→ PC	BRCLR #n,[X or Y],aa,xxxx
		else	PC + 1	→ PC	
If	S{n}=0	then	PC + xxxx	→ PC	BRCLR #n,[X or Y]:pp,xxxx
		else	PC + 1	→ PC	
If	S{n}=0	then	PC + xxxx	→ PC	BRCLR #n,[X or Y]:qq,xxxx
		else	PC + 1	→ PC	
If	S{n}=0	then	PC + xxxx	→ PC	BRCLR #n,S,xxxx
		else	PC + 1	→ PC	

### Instruction Fields

{#n}	bbbbbb	Bit number [0-23]
{ea}	MMMRRR	Effective Address (see <b>Table 12-13</b> on page 12-18)
{X/Y}	S	Memory Space [X,Y] (see <b>Table 12-13</b> on page 12-18)
{xxxx}		24-bit PC relative displacement
{aa}	aaaaaa	Absolute Address [0-63]
{pp}	pppppp	I/O Short Address [64 addresses: \$FFFFC0-\$FFFFFF]
{qq}	qqqqqq	I/O Short Address [64 addresses: \$FFFF80-\$FFFFBF]
{S}	DDDDDD	Source register [all on-chip registers] (see <b>Table 12-13</b> on page 12-18)

**Description** The nth bit in the source operand is tested. If the tested bit is cleared, program execution continues at location PC+displacement. If the tested bit is set, the PC is incremented and program execution continues sequentially. However, the address register specified in the effective address field is always updated independently of the condition. The displacement is a two's complement 24-bit integer that represents the relative distance from the current PC to the destination PC. The 24-bit displacement is contained in the extension word of the instruction. All memory alterable addressing modes may be used to reference the source operand. Absolute Short, I/O Short and Register Direct addressing modes may also be used. Note that if the specified source operand S is the SSH, the stack pointer register will be decremented by one. The bit to be tested is selected by an immediate bit number 0-23.

# BRCLR

## Branch if Bit Clear

# BRCLR

### Condition Codes

7	6	5	4	3	2	1	0
S	L	E	U	N	Z	V	C
÷	÷	—	—	—	—	—	—
<b>CCR</b>							

- √ Changed according to the standard definition
- Unchanged by the instruction

### Instruction Formats and Opcodes

BRCLR	#n,[X or Y]:ea,xxxx	<table border="1"> <tr> <td>23</td> <td>16 15</td> <td>8 7</td> <td>0</td> </tr> <tr> <td>0 0 0 0 1 1 0 0 1 0</td> <td>M M M R R R</td> <td>0 S 0 b b b b b</td> <td></td> </tr> <tr> <td colspan="4" style="text-align: center;">PC-Relative Displacement</td> </tr> </table>	23	16 15	8 7	0	0 0 0 0 1 1 0 0 1 0	M M M R R R	0 S 0 b b b b b		PC-Relative Displacement			
23	16 15	8 7	0											
0 0 0 0 1 1 0 0 1 0	M M M R R R	0 S 0 b b b b b												
PC-Relative Displacement														
BRCLR	#n,[X or Y]:aa,xxxx	<table border="1"> <tr> <td>23</td> <td>16 15</td> <td>8 7</td> <td>0</td> </tr> <tr> <td>0 0 0 0 1 1 0 0 1 0</td> <td>a a a a a a 1</td> <td>S 0 b b b b b</td> <td></td> </tr> <tr> <td colspan="4" style="text-align: center;">PC-Relative Displacement</td> </tr> </table>	23	16 15	8 7	0	0 0 0 0 1 1 0 0 1 0	a a a a a a 1	S 0 b b b b b		PC-Relative Displacement			
23	16 15	8 7	0											
0 0 0 0 1 1 0 0 1 0	a a a a a a 1	S 0 b b b b b												
PC-Relative Displacement														
BRCLR	#n,[X or Y]:pp,xxxx	<table border="1"> <tr> <td>23</td> <td>16 15</td> <td>8 7</td> <td>0</td> </tr> <tr> <td>0 0 0 0 1 1 0 0 1 1</td> <td>p p p p p p</td> <td>0 S 0 b b b b b</td> <td></td> </tr> <tr> <td colspan="4" style="text-align: center;">PC-Relative Displacement</td> </tr> </table>	23	16 15	8 7	0	0 0 0 0 1 1 0 0 1 1	p p p p p p	0 S 0 b b b b b		PC-Relative Displacement			
23	16 15	8 7	0											
0 0 0 0 1 1 0 0 1 1	p p p p p p	0 S 0 b b b b b												
PC-Relative Displacement														
BRCLR	#n,[X or Y]:qq,xxxx	<table border="1"> <tr> <td>23</td> <td>16 15</td> <td>8 7</td> <td>0</td> </tr> <tr> <td>0 0 0 0 0 1 0 0 1 0</td> <td>q q q q q q</td> <td>0 S 0 b b b b b</td> <td></td> </tr> <tr> <td colspan="4" style="text-align: center;">PC-Relative Displacement</td> </tr> </table>	23	16 15	8 7	0	0 0 0 0 0 1 0 0 1 0	q q q q q q	0 S 0 b b b b b		PC-Relative Displacement			
23	16 15	8 7	0											
0 0 0 0 0 1 0 0 1 0	q q q q q q	0 S 0 b b b b b												
PC-Relative Displacement														
BRCLR	#n,S,xxxx	<table border="1"> <tr> <td>23</td> <td>16 15</td> <td>8 7</td> <td>0</td> </tr> <tr> <td>0 0 0 0 1 1 0 0 1 1</td> <td>D D D D D D</td> <td>1 0 0 b b b b b</td> <td></td> </tr> <tr> <td colspan="4" style="text-align: center;">PC-Relative Displacement</td> </tr> </table>	23	16 15	8 7	0	0 0 0 0 1 1 0 0 1 1	D D D D D D	1 0 0 b b b b b		PC-Relative Displacement			
23	16 15	8 7	0											
0 0 0 0 1 1 0 0 1 1	D D D D D D	1 0 0 b b b b b												
PC-Relative Displacement														

# BRKcc

## Exit Current DO Loop Conditionally

# BRKcc

### Operation

If cc LA + 1 → PC; SSL(LF,FV) → SR; SP - 1 → SP  
 SSH → LA; SSL → LC; SP - 1 → SP  
 else PC + 1 → PC

### Assembler Syntax

BRKcc

### Instruction Fields

{cc} CCCC Condition code (see **Table 12-18** on page 12-24)

**Description** Exits conditionally the current hardware DO loop before the current Loop Counter (LC) equals 1. It also terminates the DO FOREVER loop. If the value of the current DO LC is needed, it must be read before the execution of the BRKcc instruction. Initially, the PC is updated from the LA, the Loop Flag (LF) and the DO Forever flag (FV) are restored and the remaining portion of the Status Register (SR) is purged from the system stack. The Loop Address (LA) and the LC registers are then restored from the system stack. The conditions that the term “cc” can specify are listed in **Table 12-18** on page 12-24.

### Condition Codes

7	6	5	4	3	2	1	0
S	L	E	U	N	Z	V	C
—	—	—	—	—	—	—	—
CCR							

— Unchanged by the instruction.

### Instruction Formats and Opcodes

	23		16	15		8	7		0
BRKcc	0	0	0	0	0	0	0	0	0
	0	0	0	0	0	0	0	0	1
									1
									C
									C
									C
									C

# BRSET

## Branch if Bit Set

# BRSET

Operation					Assembler Syntax		
If	S{n}=1	then	PC + xxxx	→	PC	BRSET	#n,[X or Y]:ea,xxxx
		else	PC + 1	→	PC		
If	S{n}=1	then	PC + xxxx	→	PC	BRSET	#n,[X or Y]:aa,xxxx
		else	PC + 1	→	PC		
If	S{n}=1	then	PC + xxxx	→	PC	BRSET	#n,[X or Y]:pp,xxxx
		else	PC + 1	→	PC		
If	S{n}=1	then	PC + xxxx	→	PC	BRSET	#n,[X or Y]:qq,xxxx
		else	PC + 1	→	PC		
If	S{n}=1	then	PC + xxxx	→	PC	BRSET	#n,S,xxxx
		else	PC + 1	→	PC		

### Instruction Fields

{#n}	bbbbbb	Bit number [0–23]
{ea}	MMRRRR	Effective Address (see <b>Table 12-13</b> on page 12-18)
{X/Y}	S	Memory Space [X, Y] (see <b>Table 12-13</b> on page 12-18)
{xxxx}		24-bit PC relative displacement
{aa}	aaaaaa	Absolute Address [0–63]
{pp}	pppppp	I/O Short Address [64 addresses: \$FFFC0–\$FFFFFF]
{qq}	qqqqqq	I/O Short Address [64 addresses: \$FFF80–\$FFFFBF]
{S}	DDDDDD	Source register [all on-chip registers] (see <b>Table 12-13</b> on page 12-18)

**Description** The  $n^{\text{th}}$  bit in the source operand is tested. If the tested bit is set, program execution continues at location PC+displacement. If the tested bit is cleared, the PC is incremented and program execution continues sequentially. However, the address register specified in the effective address field is always updated independently of the condition. The displacement is a two's complement 24-bit integer that represents the relative distance from the current PC to the destination PC. The 24-bit displacement is contained in the extension word of the instruction. All memory alterable addressing modes may be used to reference the source operand. Absolute Short, I/O Short and Register Direct addressing modes may also be used. Notice that if the specified source operand S is the SSH, the stack pointer register will be decremented by one. The bit to be tested is selected by an immediate bit number 0–23.

# BRSET

## Branch if Bit Set

# BRSET

### Condition Codes

7	6	5	4	3	2	1	0
S	L	E	U	N	Z	V	C
√	√	—	—	—	—	—	—
CCR							

- √ Changed according to the standard definition
- Unchanged by the instruction

### Instruction Formats and Opcodes

BRSET	#n,[X or Y]:ea,xxxx	<table border="1"> <tr> <td>23</td> <td>16 15</td> <td>8 7</td> <td>0</td> </tr> <tr> <td>0 0 0 0 1 1 0 0 1 0</td> <td>M M M R R R</td> <td>0 S 1 b b b b b</td> <td></td> </tr> <tr> <td colspan="4">PC-Relative Displacement</td> </tr> </table>	23	16 15	8 7	0	0 0 0 0 1 1 0 0 1 0	M M M R R R	0 S 1 b b b b b		PC-Relative Displacement			
23	16 15	8 7	0											
0 0 0 0 1 1 0 0 1 0	M M M R R R	0 S 1 b b b b b												
PC-Relative Displacement														
BRSET	#n,[X or Y]:aa,xxxx	<table border="1"> <tr> <td>23</td> <td>16 15</td> <td>8 7</td> <td>0</td> </tr> <tr> <td>0 0 0 0 1 1 0 0 1 0</td> <td>a a a a a a 1 S 1</td> <td>b b b b b</td> <td></td> </tr> <tr> <td colspan="4">PC-Relative Displacement</td> </tr> </table>	23	16 15	8 7	0	0 0 0 0 1 1 0 0 1 0	a a a a a a 1 S 1	b b b b b		PC-Relative Displacement			
23	16 15	8 7	0											
0 0 0 0 1 1 0 0 1 0	a a a a a a 1 S 1	b b b b b												
PC-Relative Displacement														
BRSET	#n,[X or Y]:pp,xxxx	<table border="1"> <tr> <td>23</td> <td>16 15</td> <td>8 7</td> <td>0</td> </tr> <tr> <td>0 0 0 0 1 1 0 0 1 1</td> <td>p p p p p p 0 S 1</td> <td>b b b b b</td> <td></td> </tr> <tr> <td colspan="4">PC-Relative Displacement</td> </tr> </table>	23	16 15	8 7	0	0 0 0 0 1 1 0 0 1 1	p p p p p p 0 S 1	b b b b b		PC-Relative Displacement			
23	16 15	8 7	0											
0 0 0 0 1 1 0 0 1 1	p p p p p p 0 S 1	b b b b b												
PC-Relative Displacement														
BRSET	#n,[X or Y]:qq,xxxx	<table border="1"> <tr> <td>23</td> <td>16 15</td> <td>8 7</td> <td>0</td> </tr> <tr> <td>0 0 0 0 0 1 0 0 1 0</td> <td>q q q q q q 0 S 1</td> <td>b b b b b</td> <td></td> </tr> <tr> <td colspan="4">PC-Relative Displacement</td> </tr> </table>	23	16 15	8 7	0	0 0 0 0 0 1 0 0 1 0	q q q q q q 0 S 1	b b b b b		PC-Relative Displacement			
23	16 15	8 7	0											
0 0 0 0 0 1 0 0 1 0	q q q q q q 0 S 1	b b b b b												
PC-Relative Displacement														
BRSET	#n,S,xxxx	<table border="1"> <tr> <td>23</td> <td>16 15</td> <td>8 7</td> <td>0</td> </tr> <tr> <td>0 0 0 0 1 1 0 0 1 1</td> <td>D D D D D D 1 0 1</td> <td>b b b b b</td> <td></td> </tr> <tr> <td colspan="4">PC-Relative Displacement</td> </tr> </table>	23	16 15	8 7	0	0 0 0 0 1 1 0 0 1 1	D D D D D D 1 0 1	b b b b b		PC-Relative Displacement			
23	16 15	8 7	0											
0 0 0 0 1 1 0 0 1 1	D D D D D D 1 0 1	b b b b b												
PC-Relative Displacement														

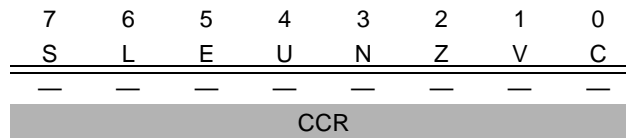
Operation		Assembler Syntax
If <i>cc</i> , then	PC → SSH;SR → SSL;PC + xxxx → PC	BScC xxxx
else	PC + 1 → PC	
If <i>cc</i> , then	PC → SSH;SR → SSL;PC + xxx → PC	BScC xxx
else	PC + 1 → PC	
If <i>cc</i> , then	PC → SSH;SR → SSL;PC + Rn → PC	BScC Rn
else	PC + 1 → PC	

### Instruction Fields

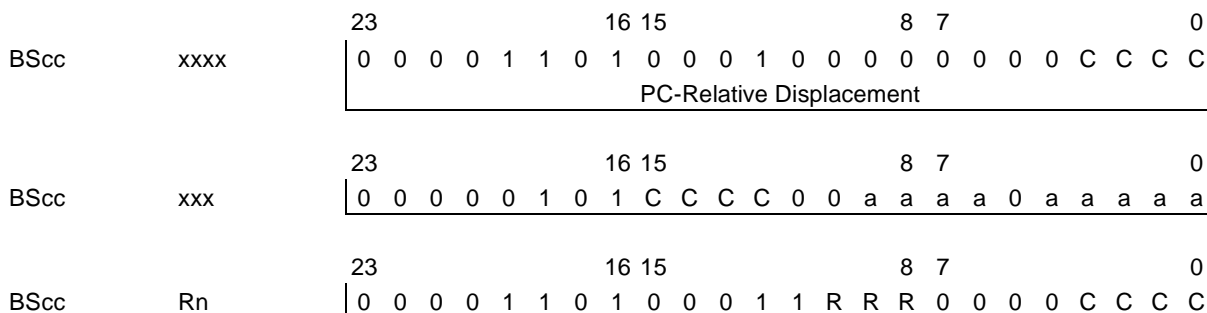
{cc}	CCCC	Condition code (see <b>Table 12-13</b> on page 12-18)
{xxxx}		24-bit PC-Relative Long Displacement
{xxx}	aaaaaaaa	Signed PC-Relative Short Displacement
{Rn}	RRR	Address register [R[0–7]]

**Description** If the specified condition is true, the address of the instruction immediately following the BScC instruction and the SR are pushed onto the stack. Program execution then continues at location PC + displacement. If the specified condition is false, the PC is incremented and program execution continues sequentially. The displacement is a two’s complement 24-bit integer that represents the relative distance from the current PC to the destination PC. Short Displacement and Address Register PC Relative addressing modes can be used. The Short Displacement 9-bit data is sign extended to form the PC relative displacement. The conditions that the term “cc” can specify are listed on **Table 12-18** on page 12-24.

### Condition Codes



— Unchanged by the instruction.



# BSCLR

## Branch to Subroutine if Bit Clear

# BSCLR

Operation			Assembler Syntax
If	S{n}=0	then PC → SSH;SR → SSL;PC+xxxx → PC else PC+1 → PC	BSCLR #n,[X or Y]:ea,xxxx
If	S{n}=0	then PC → SSH;SR → SSL;PC+xxxx → PC else PC+1 → PC	BSCLR #n,[X or Y]:aa,xxxx
If	S{n}=0	then PC → SSH;SR → SSL;PC+xxxx → PC else PC+1 → PC	BSCLR #n,[X or Y]:pp,xxxx
If	S{n}=0	then PC → SSH;SR → SSL;PC+xxxx → PC else PC+1 → PC	BSCLR #n,[X or Y]:qq,xxxx
If	S{n}=0	then PC → SSH;SR → SSL;PC+xxxx → PC else PC+1 → PC	BSCLR #n,S,xxxx

### Instruction Fields

{#n}	bbbbbb	Bit number [0–23]
{ea}	MMRRRR	Effective Address (see <b>Table 12-13</b> on page 12-18)
{X/Y}	S	Memory Space [X, Y] (see <b>Table 12-13</b> on page 12-18)
{xxxx}		24-bit Relative Long Displacement
{aa}	aaaaaa	Absolute Address [0-63]
{pp}	pppppp	I/O Short Address [64 addresses: \$FFFFC0–\$FFFFFF]
{qq}	qqqqqq	I/O Short Address [64 addresses: \$FFFF80–\$FFFFBF]
{S}	DDDDDD	Source register [all on-chip registers] (see <b>Table 12-13</b> on page 12-18)

**Description** The  $n^{\text{th}}$  bit in the source operand is tested. If the tested bit is cleared, the address of the instruction immediately following the BSCLR instruction and the status register are pushed onto the stack. Program execution then continues at location PC+displacement. If the tested bit is set, the PC is incremented and program execution continues sequentially. However, the address register specified in the effective address field is always updated independently of the condition. The displacement is a two's complement 24-bit integer that represents the relative distance from the current PC to the destination PC. The 24-bit displacement is contained in the extension word of the instruction. All memory alterable addressing modes can reference the source operand. Absolute Short, I/O Short and Register Direct addressing modes can also be used. Note that if the specified source operand S is the SSH, the stack pointer register decrements by



# BSCLR

## Branch to Subroutine if Bit Clear

# BSCLR

one; if the condition is true, the push operation writes over the stack level where the SSH value is taken. The bit to be tested is selected by an immediate bit number 0–23.

### Condition Codes

7	6	5	4	3	2	1	0
S	L	E	U	N	Z	V	C
÷	÷	—	—	—	—	—	—
CCR							

√ Changed according to the standard definition

— Unchanged by the instruction

### Instruction Formats and Opcodes

BSCLR	#n,[X or Y]:ea,xxxx	23	16 15	8 7	0	
		0	0 0 0 0 1 1 0 1 1 0	M M M R R R 0	S 0 b b b b b	
		PC-Relative Displacement				

BSCLR	#n,[X or Y]:aa,xxxx	23	16 15	8 7	0	
		0	0 0 0 0 1 1 0 1 1 0	a a a a a a 1	S 0 b b b b b	
		PC-Relative Displacement				

BSCLR	#n,[X or Y]:qq,xxxx	23	16 15	8 7	0	
		0	0 0 0 0 0 1 0 0 1 0	q q q q q q 1	S 0 b b b b b	
		PC-Relative Displacement				

BSCLR	#n,[X or Y]:pp,xxxx	23	16 15	8 7	0	
		0	0 0 0 0 1 1 0 1 1 1	p p p p p p 0	S 0 b b b b b	
		PC-Relative Displacement				

BSCLR	#n,S,xxxx	23	16 15	8 7	0	
		0	0 0 0 0 1 1 0 1 1 1	D D D D D D 1	0 0 b b b b b	
		PC-Relative Displacement				

# BSET

## Bit Set and Test

# BSET

Operation		Assembler Syntax	
D[n] → C	1 → D[n]	BSET	#n,[X or Y]:ea
D[n] → C	1 → D[n]	BSET	#n,[X or Y]:aa
D[n] → C	1 → D[n]	BSET	#n,[X or Y]:pp
D[n] → C	1 → D[n]	BSET	#n,[X or Y]:qq
D[n] → C	1 → D[n]	BSET	#n,D

### Instruction Fields

{#n}	bbbb	Bit number [0–23]
{ea}	MMRRRR	Effective Address (see <b>Table 12-13</b> on page 12-18)
{X/Y}	S	Memory Space [X,Y] (see <b>Table 12-13</b> on page 12-18)
{aa}	aaaaaa	Absolute Address [0–63]
{pp}	pppppp	I/O Short Address [64 addresses: \$FFFC0–\$FFFFFF]
{qq}	qqqqqq	I/O Short Address [64 addresses: \$FFF80–\$FFFBF]
{D}	DDDDDD	Destination register [all on chip registers, except A and B; however, you can use A0, A1, A2, B0, B1, and B2] (see <b>Table 12-13</b> on page 12-18)

**Description** Test the  $n^{\text{th}}$  bit of the destination operand D, set it, and store the result in the destination location. The state of the  $n^{\text{th}}$  bit is stored in the Carry bit (C) of the CCR. The bit to be tested is selected by an immediate bit number from 0–23. This instruction performs a read-modify-write operation on the destination location using two destination accesses before releasing the bus. This instruction provides a test-and-set capability that is useful for synchronizing multiple processors using a shared memory. This instruction can use all memory alterable addressing modes. When this instruction performs a bit manipulation/test on either the A or B 56-bit accumulator, it optionally shifts the accumulator value according to scaling mode bits S0 and S1 in the system Status Register (SR). If the data out of the shifter indicates that the accumulator extension

register is in use, the instruction acts on the limited value (limited on the maximum positive or negative saturation constant). The “L” flag in the SR is set accordingly.

### Condition Codes

7	6	5	4	3	2	1	0
S	L	E	U	N	Z	V	C
*	*	*	*	*	*	*	*
CCR							

### CCR Condition Codes

For destination operand SR:

- \* C Set if bit 0 is specified, unaffected otherwise.
- \* V Set if bit 1 is specified, unaffected otherwise.
- \* Z Set if bit 2 is specified, unaffected otherwise.
- \* N Set if bit 3 is specified, unaffected otherwise.
- \* U Set if bit 4 is specified, unaffected otherwise.
- \* E Set if bit 5 is specified, unaffected otherwise.
- \* L Set if bit 6 is specified, unaffected otherwise.
- \* S Set if bit 7 is specified, unaffected otherwise.

For other destination operands:

- \* C Set if bit tested is set, and cleared otherwise.
- \* V Unaffected.
- \* Z Unaffected.
- \* N Unaffected.
- \* U Unaffected.
- \* E Unaffected.
- \* L Set according to the standard definition.
- \* S Set according to the standard definition.

**BSET****Bit Set and Test****BSET****MR Status Bits**

For destination operand SR:

- \* I0 Changed if bit 8 is specified, unaffected otherwise.
- \* I1 Changed if bit 9 is specified, unaffected otherwise.
- \* S0 Changed if bit 10 is specified, unaffected otherwise.
- \* S1 Changed if bit 11 is specified, unaffected otherwise.
- \* FV Changed if bit 12 is specified, unaffected otherwise.
- \* SM Changed if bit 13 is specified, unaffected otherwise.
- \* RM Changed if bit 14 is specified, unaffected otherwise.
- \* LF Changed if bit 15 is specified, unaffected otherwise.

For other destination operands: MR status bits are not affected.

**Instruction Formats and Opcodes**

BSET #n,[X or Y]:ea	<div style="display: flex; justify-content: space-between; padding: 0 10px;"> <span>23</span> <span>16 15</span> <span>8 7</span> <span>0</span> </div> <div style="display: flex; justify-content: space-between; padding: 0 10px;"> <span>0 0 0 0 1 0 1 0 0 1</span> <span>M M M R R R</span> <span>0 S 1 0 b b b b</span> </div> <div style="text-align: center; padding: 5px 0;">OPTIONAL EFFECTIVE ADDRESS EXTENSION</div>
BSET #n,[X or Y]:aa	<div style="display: flex; justify-content: space-between; padding: 0 10px;"> <span>23</span> <span>16 15</span> <span>8 7</span> <span>0</span> </div> <div style="display: flex; justify-content: space-between; padding: 0 10px;"> <span>0 0 0 0 1 0 1 0 0 0</span> <span>a a a a a a</span> <span>0 S 1 0 b b b b</span> </div>
BSET #n,[X or Y]:pp	<div style="display: flex; justify-content: space-between; padding: 0 10px;"> <span>23</span> <span>16 15</span> <span>8 7</span> <span>0</span> </div> <div style="display: flex; justify-content: space-between; padding: 0 10px;"> <span>0 0 0 0 1 0 1 0 1 0</span> <span>p p p p p p</span> <span>0 S 1 0 b b b b</span> </div>
BSET #n,[X or Y]:qq	<div style="display: flex; justify-content: space-between; padding: 0 10px;"> <span>23</span> <span>16 15</span> <span>8 7</span> <span>0</span> </div> <div style="display: flex; justify-content: space-between; padding: 0 10px;"> <span>0 0 0 0 0 0 0 1 0 0</span> <span>q q q q q q</span> <span>0 S 1 0 b b b b</span> </div>
BSET #n,D	<div style="display: flex; justify-content: space-between; padding: 0 10px;"> <span>23</span> <span>16 15</span> <span>8 7</span> <span>0</span> </div> <div style="display: flex; justify-content: space-between; padding: 0 10px;"> <span>0 0 0 0 1 0 1 0 1 1</span> <span>D D D D D D</span> <span>0 1 1 0 b b b b</span> </div>

Operation	Assembler Syntax
PC → SSH;SR → SSL;PC + xxxx → PC	BSR    xxxx
PC → SSH;SR → SSL;PC + xxx → PC	BSR    xxx
PC → SSH;SR → SSL;PC + Rn → PC	BSR    Rn

### Instruction Fields

{xxxx}		24-bit PC-Relative Long Displacement
{xxx}	aaaaaaaa	Signed PC-Relative Short Displacement
{Rn}	RRR	Address register [R[0–7]]

**Description** The address of the instruction immediately following the BSR instruction and the SR are pushed onto the stack. Program execution then continues at location PC + displacement. The displacement is a two's-complement 24-bit integer that represents the relative distance from the current PC to the destination PC. Short Displacement and Address Register PC-Relative addressing modes can be used. The Short Displacement 9-bit data is sign-extended to form the PC-Relative displacement.

### Condition Codes

7	6	5	4	3	2	1	0
S	L	E	U	N	Z	V	C
—	—	—	—	—	—	—	—

CCR

— Unchanged by the instruction.

### Instruction Formats and Opcodes

BSR	xxxx	<table border="1" style="border-collapse: collapse; width: 100%;"> <tr> <td style="text-align: right;">23</td> <td style="text-align: right;">16 15</td> <td style="text-align: right;">8 7</td> <td style="text-align: right;">0</td> </tr> <tr> <td style="text-align: center;">0 0 0 0 1 1 0 1 0 0 0 1 0 0 0 0 1 0 0 0 0 0 0 0</td> <td colspan="3" style="text-align: center;">PC-Relative Displacement</td> </tr> </table>	23	16 15	8 7	0	0 0 0 0 1 1 0 1 0 0 0 1 0 0 0 0 1 0 0 0 0 0 0 0	PC-Relative Displacement		
23	16 15	8 7	0							
0 0 0 0 1 1 0 1 0 0 0 1 0 0 0 0 1 0 0 0 0 0 0 0	PC-Relative Displacement									
BSR	xxx	<table border="1" style="border-collapse: collapse; width: 100%;"> <tr> <td style="text-align: right;">23</td> <td style="text-align: right;">16 15</td> <td style="text-align: right;">8 7</td> <td style="text-align: right;">0</td> </tr> <tr> <td style="text-align: center;">0 0 0 0 0 1 0 1 0 0 0 0 1 0 a a a a 0 a a a a a</td> <td colspan="3"></td> </tr> </table>	23	16 15	8 7	0	0 0 0 0 0 1 0 1 0 0 0 0 1 0 a a a a 0 a a a a a			
23	16 15	8 7	0							
0 0 0 0 0 1 0 1 0 0 0 0 1 0 a a a a 0 a a a a a										
BSR	Rn	<table border="1" style="border-collapse: collapse; width: 100%;"> <tr> <td style="text-align: right;">23</td> <td style="text-align: right;">16 15</td> <td style="text-align: right;">8 7</td> <td style="text-align: right;">0</td> </tr> <tr> <td style="text-align: center;">0 0 0 0 1 1 0 1 0 0 0 1 1 R R R 1 0 0 0 0 0 0 0 0</td> <td colspan="3"></td> </tr> </table>	23	16 15	8 7	0	0 0 0 0 1 1 0 1 0 0 0 1 1 R R R 1 0 0 0 0 0 0 0 0			
23	16 15	8 7	0							
0 0 0 0 1 1 0 1 0 0 0 1 1 R R R 1 0 0 0 0 0 0 0 0										

**BSSET****Branch to Subroutine if Bit Set****BSSET**

Operation			Assembler Syntax
If	S{n}=1	then PC → SSH;SR → SSL;PC + xxxx → PC else PC + 1 → PC	BSSET #n,[X or Y]:ea,xxxx
If	S{n}=1	then PC → SSH;SR → SSL;PC + xxxx → PC else PC + 1 → PC	BSSET #n,[X or Y]:aa,xxxx
If	S{n}=1	then PC → SSH;SR → SSL;PC + xxxx → PC else PC + 1 → PC	BSSET #n,[X or Y]:pp,xxxx
If	S{n}=1	then PC → SSH;SR → SSL;PC + xxxx → PC else PC + 1 → PC	BSSET #n,[X or Y]:qq,xxxx
If	S{n}=1	then PC → SSH;SR → SSL;PC + xxxx → PC else PC + 1 → PC	BSSET #n,S,xxxx

**Instruction Fields**

{#n}	bbbb	Bit number [0–23]
{ea}	MMRRR	Effective Address (see <b>Table 12-13</b> on page 12-18)
{X/Y}	S	Memory Space [X,Y] (see <b>Table 12-13</b> on page 12-18)
{xxxx}		24-bit Relative Long Displacement
{aa}	aaaaaa	Absolute Address [0–63]
{pp}	pppppp	I/O Short Address [64 addresses: \$FFFFC0–\$FFFFFF]
{qq}	qqqqqq	I/O Short Address [64 addresses: \$FFFF80–\$FFFFBF]
{S}	DDDDDD	Source register [all on-chip registers] (see <b>Table 12-13</b> on page 12-18)

**Description** The  $n^{\text{th}}$  bit in the source operand is tested. If the tested bit is set, the address of the instruction immediately following the BSSET instruction and the status register is pushed onto the stack. Program execution then continues at location PC+displacement. If the tested bit is cleared, the PC is incremented and program execution continues sequentially. However, the address register specified in the effective address field is always updated independently of the condition. The displacement is a two's complement 24-bit integer that represents the relative distance from the current PC to the destination PC. The 24-bit displacement is contained in the extension word of the instruction. All memory alterable addressing modes can reference the source operand. Absolute Short, I/O Short and Register Direct addressing modes can also be used. Note that if the specified source operand S is the SSH, the stack pointer register is decremented by one; if the condition is true, the push operation writes over the stack level where the SSH value is taken. The bit to be tested is selected by an immediate bit number 0—23.

### Condition Codes

7	6	5	4	3	2	1	0
S	L	E	U	N	Z	V	C
√	√	—	—	—	—	—	—
CCR							

√ Changed according to the standard definition.

— Unchanged by the instruction.

### Instruction Formats and Opcodes

BSSET	#n,[X or Y]:ea,xxxx	23	16 15	8 7	0
		0 0 0 0 1 1 0 1 1 0	M M M R R R	0 S 1 b b b b b	
		PC-Relative Displacement			
BSSET	#n,[X or Y]:aa,xxxx	23	16 15	8 7	0
		0 0 0 0 1 1 0 1 1 0	a a a a a a	1 S 1 b b b b b	
		PC-Relative Displacement			
BSSET	#n,[X or Y]:pp,xxxx	23	16 15	8 7	0
		0 0 0 0 1 1 0 1 1 1	p p p p p p	0 S 1 b b b b b	
		PC-Relative Displacement			
BSSET	#n,[X or Y]:qq,xxxx	23	16 15	8 7	0
		0 0 0 0 0 1 0 0 1 0	q q q q q q	1 S 1 b b b b b	
		PC-Relative Displacement			
BSSET	#n,S,xxxx	23	16 15	8 7	0
		0 0 0 0 1 1 0 1 1 1	D D D D D D	1 0 1 b b b b b	
		PC-Relative Displacement			

# BTST

## Bit Test

# BTST

Operation	Assembler Syntax
D[n] → C	BTST #n,[X or Y]:ea
D[n] → C	BTST #n,[X or Y]:aa
D[n] → C	BTST #n,[X or Y]:pp
D[n] → C	BTST #n,[X or Y]:qq
D[n] → C	BTST #n,D

### Instruction Fields

{#n}	bbbb	Bit number [0–23]
{ea}	MMMRRR	Effective Address (see <b>Table 12-13</b> on page 12-18)
{X/Y}	S	Memory Space [X,Y] (see <b>Table 12-13</b> on page 12-18)
{aa}	aaaaaa	Absolute Address [0–63]
{pp}	pppppp	I/O Short Address [64 addresses: \$FFFFC0–\$FFFFFF]
{qq}	qqqqqq	I/O Short Address [64 addresses: \$FFFF80–\$FFFFBF]
{D}	DDDDDD	Destination register [all on-chip registers] (see <b>Table 12-13</b> on page 12-18)

**Description** Test the  $n^{\text{th}}$  bit of the destination operand D. The state of the  $n^{\text{th}}$  bit is stored in the Carry bit (C) of the CCR. The bit to test is selected by an immediate bit number from 0–23. BTST is useful for performing serial-to-parallel conversion with appropriate rotate instructions. This instruction can use all memory alterable addressing modes.

### Condition Codes

7	6	5	4	3	2	1	0
S	L	E	U	N	Z	V	C
√	√	—	—	—	—	—	*
CCR							

- \* C Set if bit tested is set, and cleared otherwise.
- √ Changed according to the standard definition.
- Unchanged by the instruction.

### SP—Stack Pointer

For destination operand SSH:SP, decrement the SP by 1.

For other destination operands, the SP is not affected.



### Instruction Formats and Opcodes

BTST #n,[X or Y]:ea	<table border="1"> <tr> <td>23</td> <td>16 15</td> <td>8 7</td> <td>0</td> </tr> <tr> <td>0 0 0 0 1 0 1 1 0 1</td> <td>M M M R R R</td> <td>O S 1 0</td> <td>b b b b</td> </tr> <tr> <td colspan="4" style="text-align: center;">OPTIONAL EFFECTIVE ADDRESS EXTENSION</td> </tr> </table>	23	16 15	8 7	0	0 0 0 0 1 0 1 1 0 1	M M M R R R	O S 1 0	b b b b	OPTIONAL EFFECTIVE ADDRESS EXTENSION			
23	16 15	8 7	0										
0 0 0 0 1 0 1 1 0 1	M M M R R R	O S 1 0	b b b b										
OPTIONAL EFFECTIVE ADDRESS EXTENSION													
BTST #n,[X or Y]:aa	<table border="1"> <tr> <td>23</td> <td>16 15</td> <td>8 7</td> <td>0</td> </tr> <tr> <td>0 0 0 0 1 0 1 1 0 0</td> <td>a a a a a a</td> <td>0 S 1 0</td> <td>b b b b</td> </tr> </table>	23	16 15	8 7	0	0 0 0 0 1 0 1 1 0 0	a a a a a a	0 S 1 0	b b b b				
23	16 15	8 7	0										
0 0 0 0 1 0 1 1 0 0	a a a a a a	0 S 1 0	b b b b										
BTST #n,[X or Y]:pp	<table border="1"> <tr> <td>23</td> <td>16 15</td> <td>8 7</td> <td>0</td> </tr> <tr> <td>0 0 0 0 1 0 1 1 1 0</td> <td>p p p p p p</td> <td>0 S 1 0</td> <td>b b b b</td> </tr> </table>	23	16 15	8 7	0	0 0 0 0 1 0 1 1 1 0	p p p p p p	0 S 1 0	b b b b				
23	16 15	8 7	0										
0 0 0 0 1 0 1 1 1 0	p p p p p p	0 S 1 0	b b b b										
BTST #n,[X or Y]:qq	<table border="1"> <tr> <td>23</td> <td>16 15</td> <td>8 7</td> <td>0</td> </tr> <tr> <td>0 0 0 0 0 0 0 1 0 1</td> <td>q q q q q q</td> <td>0 S 1 0</td> <td>b b b b</td> </tr> </table>	23	16 15	8 7	0	0 0 0 0 0 0 0 1 0 1	q q q q q q	0 S 1 0	b b b b				
23	16 15	8 7	0										
0 0 0 0 0 0 0 1 0 1	q q q q q q	0 S 1 0	b b b b										
BTST #n,D	<table border="1"> <tr> <td>23</td> <td>16 15</td> <td>8 7</td> <td>0</td> </tr> <tr> <td>0 0 0 0 1 0 1 1 1 1</td> <td>D D D D D D</td> <td>0 1 1 0</td> <td>b b b b</td> </tr> </table>	23	16 15	8 7	0	0 0 0 0 1 0 1 1 1 1	D D D D D D	0 1 1 0	b b b b				
23	16 15	8 7	0										
0 0 0 0 1 0 1 1 1 1	D D D D D D	0 1 1 0	b b b b										

## Operation

```

If S[39] = 0 then
9 – (Number of consecutive leading zeros in S[55–0]) → D[47–24]
else
9 – (Number of consecutive leading ones in S[55–0]) → D[47–24]

```

## Assembler Syntax

CLB S,D

## Instruction Fields

{D}     D     Destination accumulator [A,B] (see **Table 12-13** on page 12-18)  
 {S}     S     Source accumulator [A,B] (see **Table 12-13** on page 12-18)

**Description** Count leading zeros or ones according to bit 55 of the source accumulator. Scan bits 55–0 of the source accumulator starting from bit 55. The MSP of the destination accumulator is loaded with nine minus the number of consecutive leading 1s or 0s found. The result is a signed integer in MSP whose range of possible values is from +8 to –47. This is a 56-bit operation. The LSP of the destination accumulator D is filled with 0s. The EXP of the destination accumulator D is sign-extended.

**Note:**

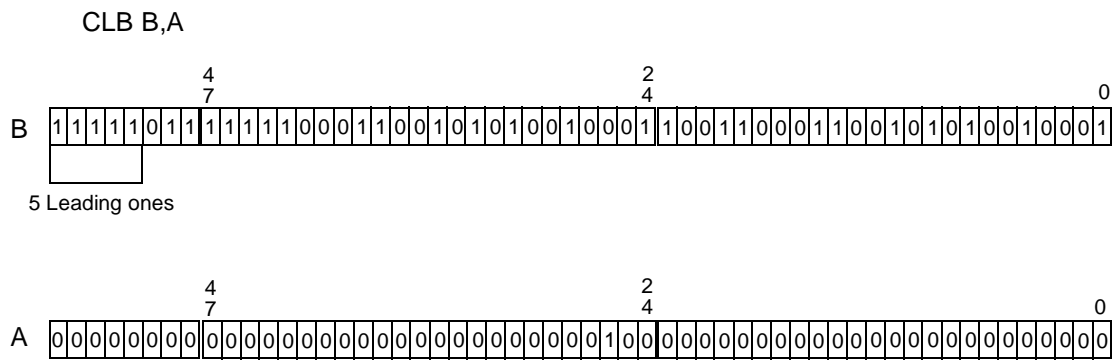
1. If the source accumulator is all zeros, the result is 0.
2. In Sixteen-bit Arithmetic mode, the count ignores the unused 8 Least Significant Bits of the MSP and LSP of the source accumulator. Therefore, the result is a signed integer whose range of possible values is from +8 to –31.
3. CLB can be used in conjunction with NORMF instruction to specify the shift direction and amount needed for normalization.

**Condition Codes**

7	6	5	4	3	2	1	0
S	L	E	U	N	Z	V	C
—	—	—	—	*	*	*	—
CCR							

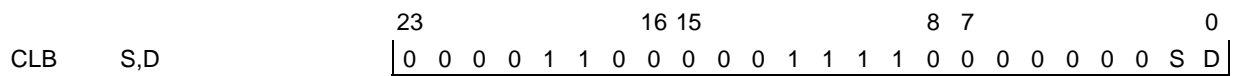
- \* N Set if bit 47 of the result is set, and cleared otherwise.
- \* Z Set if bits 47–24 of the result are all 0.
- \* V Always cleared.
- Unchanged by the instruction.

### Example



Result in A is  $9 - 5 = 4$

### Instruction Formats and Opcodes



# CLR

## Clear Accumulator

# CLR

**Operation**

0 → D (parallel move)

**Assembler Syntax**

CLR D (parallel move)

**Instruction Fields**

{D} d Destination accumulator [A,B] (see **Table 12-13** on page 12-18)

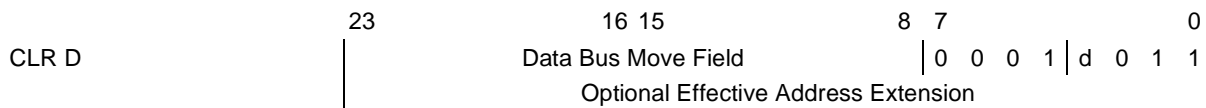
**Description** Clear the destination accumulator. This is a 56-bit clear instruction.

**Condition Codes**

7	6	5	4	3	2	1	0
S	L	E	U	N	Z	V	C
√	√	*	*	*	*	*	—
CCR							

- \* E Always cleared.
- \* U Always set.
- \* N Always cleared.
- \* Z Always set.
- \* V Always cleared.
- √ Changed according to the standard definition.
- Unchanged by the instruction.

**Instruction Formats and Opcodes**



Operation		Assembler Syntax	
S2-S1	(parallel move)	CMP S1, S2	(parallel move)
S2-#xx		CMP #xx, S2	
S2-#xxxxxx		CMP #xxxxxx, S2	

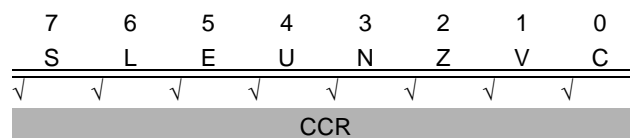
### Instruction Fields

{S1}	JJJ	Source register [B/A,X0,Y0,X1,Y1] (see <b>Table 12-16</b> on page 12-20)
{S2}	d	Source accumulator [A/B] (see <b>Table 12-13</b> on page 12-18)
{#xx}	iiiiii	6-bit Immediate Short Data
{#xxxxxx}		24-bit Immediate Long Data extension word

**Description** Subtract the source one operand from the source two accumulator, S2, and update the CCR. The result of the subtraction operation is not stored. The source one operand can be a register (24-bit word or 56-bit accumulator), 6-bit short immediate, or 24-bit long immediate. When using 6-bit immediate data, the data is interpreted as an unsigned integer. That is, the six bits will be right-aligned and the remaining bits will be zeroed to form a 24-bit source operand.

This instruction subtracts 56-bit operands. When a word is specified as the source one operand, it is sign-extended and zero-filled to form a valid 56-bit operand. For the carry to be set correctly as a result of the subtraction, S2 must be properly sign-extended. S2 can be improperly sign-extended by writing A1 or B1 explicitly prior to executing the compare so that A2 or B2, respectively, may not represent the correct sign extension. This particularly applies to the case where it is extended to compare 24-bit operands, such as X0 with A1.

### Condition Codes



√ Changed according to the standard definition.

# CMP

## Compare

# CMP

### Instruction Formats and Opcodes



### Operation

|S2|-|S1| (parallel move)

### Assembler Syntax

CMPM S1, S2 (parallel move)

### Instruction Fields

{S1}     **JJJ**     Source register [B/A,X0,Y0,X1,Y1] (see **Table 12-16** on page 12-20)  
 {S2}     **d**        Source accumulator [A,B] (see **Table 12-13** on page 12-18)

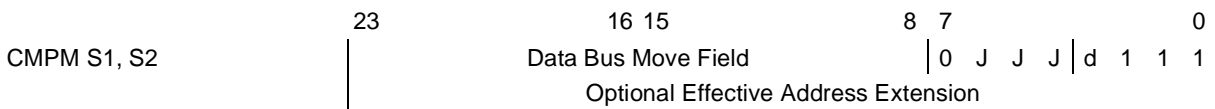
**Description** Subtract the absolute value (magnitude) of the source one operand, S1, from the absolute value of the source two accumulator, S2, and update the CCR. The result of the subtraction operation is not stored. Note that this instruction subtracts 56-bit operands. When a word is specified as S1, it is sign-extended and zero-filled to form a valid 56-bit operand. For the carry to be set correctly as a result of the subtraction, S2 must be properly sign-extended. S2 can be improperly sign-extended by writing A1 or B1 explicitly prior to executing the compare so that A2 or B2, respectively, may not represent the correct sign extension. This applies especially when it is extended to compare 24-bit operands, such as X0 with A1.

### Condition Codes

7	6	5	4	3	2	1	0
S	L	E	U	N	Z	V	C
√	√	√	√	√	√	√	√
CCR							

√ Changed according to the standard definition.

### Instruction Formats and Opcodes



# CMPU

## Compare Unsigned

# CMPU

**Operation****Assembler Syntax**

S2-S1

CMPU S1, S2

**Instruction Fields**

{S1}	ggg	Source register [A,B,X0,Y0,X1,Y1] (see <b>Table 12-13</b> on page 12-18)
{S2}	d	Source accumulator [A,B] (see <b>Table 12-13</b> on page 12-18)

**Description** Subtract the source one operand, S1, from the source two accumulator, S2, and update the CCR. The result of the subtraction operation is not stored. Note that this instruction subtracts a 24- or 48-bit unsigned operand from a 48-bit unsigned operand. When a 24-bit word is specified as S1, it is aligned to the left and zero-filled to form a valid 48-bit operand. If an accumulator is specified as an operand, the value in the EXP does not affect the operation.

**Condition Codes**

7	6	5	4	3	2	1	0
S	L	E	U	N	Z	V	C
—	—	—	—	√	*	*	√
CCR							

- \* V Always cleared.
- \* Z Set if bits 47–0 of the result are 0.
- Unchanged by the instruction.
- √ Changed according to the standard definition.

**Instruction Formats and Opcodes**

CMPU S1, S2	23	16 15	8 7	0
	0 0 0 0 1 1 0 0	0 0 0 1 1 1 1 1	1 1 1 1 g g g	d

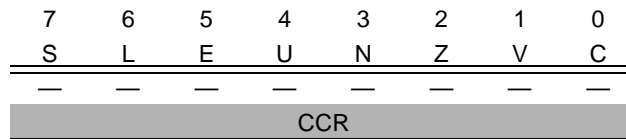


**Operation**

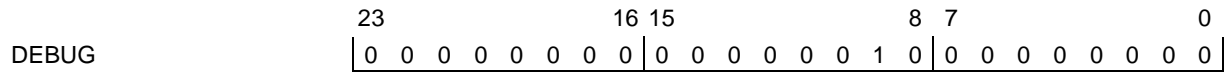
Enter the Debug mode

**Assembler Syntax**

DEBUG

**Instruction Fields** None**Description** Enter the Debug mode and wait for OnCE commands.**Condition Codes**

— Unchanged by the instruction.

**Instruction Formats and Opcodes**

# DEBUGcc

# DEBUGcc

## Enter Debug Mode Conditionally

**Operation**

**Assembler Syntax**

If cc, then enter the Debug mode

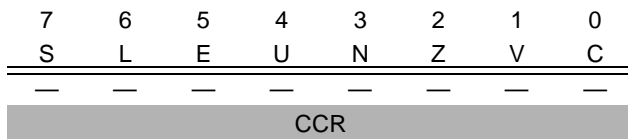
DEBUGcc

**Instruction Fields**

{cc}      CCCC      Condition code (see **Table 12-18** on page 12-24)

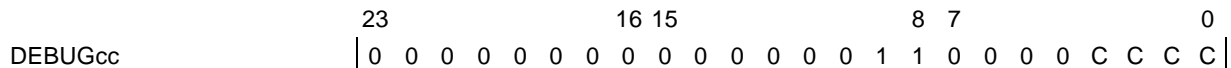
**Description** If the specified condition is true, enter the Debug mode and wait for OnCE commands. If the specified condition is false, continue with the next instruction. The conditions that the term “cc” can specify are listed on **Table 12-18** on page 12-24.

**Condition Codes**



—              Unchanged by the instruction.

**Instruction Formats and Opcodes**



# DEC

## Decrement by One

# DEC

### Operation

$D - 1 \rightarrow D$

### Assembler Syntax

DEC D

### Instruction Fields

{D}      d      Destination accumulator [A,B] (see **Table 12-13** on page 12-18)

**Description** Decrement by one the specified operand and store the result in the destination accumulator. One is subtracted from the LSB of D.

### Condition Codes

7	6	5	4	3	2	1	0
S	L	E	U	N	Z	V	C
—	√	√	√	√	√	√	√
CCR							

√      Changed according to the standard definition.

—      Unchanged by the instruction.

### Instruction Formats and Opcodes

	23		16	15		8	7		0													
DEC D	0	0	0	0	0	0	0	0	0	0	0	0	0	0	0	0	0	0	1	0	1	d

Operation	Assembler Syntax
IF $D[39] \oplus S[15] = 1$	DIV S,D
then $2 * D + C + S \rightarrow D$	
else $2 * D + C - S \rightarrow D$	

where  $\oplus$  denotes the logical exclusive OR operator.

### Instruction Fields

{S}	JJ	Source input register [X0,X1,Y0,Y1] (see <b>Table 12-13</b> on page 12-18)
{D}	d	Destination accumulator [A,B] (see <b>Table 12-13</b> on page 12-18)

**Description** Divide the destination operand D by the source operand S and store the result in the destination accumulator D. The 48-bit dividend must be a positive fraction that is sign-extended to 56 bits and stored in the full 56-bit destination accumulator D. The 24-bit divisor is a signed fraction stored in the source operand S. Each DIV iteration calculates one quotient bit using a nonrestoring fractional division algorithm. After the first DIV instruction executes, the destination operand holds both the partial remainder and the formed quotient. The partial remainder occupies the high-order portion of the destination accumulator D and is a signed fraction. The formed quotient occupies the low-order portion of the destination accumulator D (A0 or B0) and is a positive fraction. One bit of the formed quotient is shifted into the LSB of the destination accumulator at the start of each DIV iteration. The formed quotient is the true quotient if the true quotient is positive. If the true quotient is negative, the formed quotient must be negated. Valid results are obtained only when  $|D| < |S|$  and the operands are interpreted as fractions. This condition ensures that the magnitude of the quotient is less than 1 (that is, a fractional quotient) and precludes division by 0.

DIV calculates one quotient bit based on the divisor and the previous partial remainder. To produce an N-bit quotient, the DIV instruction executes N times, where N is the number of bits of precision desired in the quotient,  $1 \leq N \leq 24$ . Thus, for a full-precision (24-bit) quotient, sixteen DIV iterations are required. In general, executing the DIV instruction N times produces an N-bit quotient and a 48-bit remainder that has  $(48 - N)$  bits of precision and whose N MSBs are zeros. The partial remainder is not a true remainder and must be corrected due to the nonrestoring nature of the division algorithm before it can be used. Therefore, once the divide is complete, it is necessary to reverse the last DIV operation and restore the remainder to obtain the true remainder.

DIV uses a nonrestoring fractional division algorithm that consists of the following operations:

1. *Compare the source and destination operand sign bits.* An exclusive OR operation is performed on bit 55 of the destination operand D and Bit 23 of the source operand S.
2. *Shift the partial remainder and the quotient.* The 39-bit destination accumulator D is shifted one bit to the left. The Carry bit (C) is moved into the LSB (bit 0) of the accumulator.
3. *Calculate the next quotient bit and the new partial remainder.* The 24-bit source operand S (signed divisor) is either added to or subtracted from the Most Significant Portion (MSP) of the destination accumulator (A1 or B1), and the result is stored back into the MSP of that destination accumulator. If the result of the exclusive OR operation previously described was 1 (that is, the sign bits were different), the source operand S is added to the accumulator. If the result of the exclusive OR operation was 0 (that is, the sign bits were the same), the source operand S is subtracted from the accumulator. Because of the automatic sign extension of the 24-bit signed divisor, the addition or subtraction operation correctly sets the C bit with the next quotient bit.

For extended precision division (for example, N-bit quotients where  $N > 24$ ), the DIV instruction is no longer applicable, and a user-defined N-bit division routine is required. For more information on division algorithms, see pages 524–530 of *Theory and Application of Digital Signal Processing* by Rabiner and Gold (Prentice-Hall, 1975), pages 190–199 of *Computer Architecture and Organization* by John Hayes (McGraw-Hill, 1978), pages 213–223 of *Computer Arithmetic: Principles, Architecture, and Design* by Kai Hwang (John Wiley and Sons, 1979), or other references as required.

# DIV

## Divide Iteration

# DIV

### Condition Codes

7	6	5	4	3	2	1	0
S	L	E	U	N	Z	V	C
—	*	—	—	—	—	*	*
CCR							

- \* L Set if the Overflow bit (V) is set.
- \* V Set if the MSB of the destination operand is changed as a result of the instruction's left shift operation.
- \* C Set if bit 55 of the result is cleared.
- Unchanged by the instruction.

### Instruction Formats and Opcodes

	23		16 15		8 7		0
DIV S,D	0	0	0	0	0	0	0
	0	0	0	0	1	1	0
	0	0	0	0	0	0	0
	0	0	0	0	1	J	J
	d	0	0	0	0	0	0

## Double-Precision Multiply-Accumulate With Right Shift

Operation	Assembler Syntax		
$[D \rightarrow 16] \pm S1 * S2 \rightarrow D$ (S1 signed, S2 signed)	DMACss	$(\pm)S1,S2,D$	(no parallel move)
$[D \rightarrow 16] \pm S1 * S2 \rightarrow D$ (S1 signed, S2 unsigned)	DMACsu	$(\pm)S1,S2,D$	(no parallel move)
$[D \rightarrow 16] \pm S1 * S2 \rightarrow D$ (S1 unsigned, S2 unsigned)	DMACuu	$(\pm)S1,S2,D$	(no parallel move)

### Instruction Fields

{S1,S2}	QQQQ	Source registers S1,S2 [all combinations of X0,X1,Y0, and Y1] (see <b>Table 12-16</b> on page 12-20)
{D}	d	Destination accumulator [A,B] (see <b>Table 12-13</b> on page 12-18)
{ $\pm$ }	k	Sign [+,-] (see <b>Table 12-16</b> on page 12-20)
{ss,su,uu}	ss	[ss,su,uu] (see <b>Table 12-16</b> on page 12-20)

**Description** Multiply the two 24-bit source operands S1 and S2 and add/subtract the product to/from the specified 56-bit destination accumulator D, which has been previously shifted 24 bits to the right. The multiplication can be performed on signed numbers (ss), unsigned numbers (uu), or mixed (unsigned \* signed, (su)). The “-” sign option is used to negate the specified product prior to accumulation. The default sign option is “+”. This instruction is optimized for multi-precision multiplication support.

### Condition Codes

7	6	5	4	3	2	1	0
S	L	E	U	N	Z	V	C
—	√	√	√	√	√	√	—
CCR							

√ Changed according to the standard definition.

— Unchanged by the instruction.

### Instruction Formats and Opcodes

DMAC $(\pm)S1,S2,D$	23	16 15	8 7	0
	0 0 0 0 0 0 0 0	1 0 0 1 0 0 1 0	s	1 s d k Q Q Q Q

## DO

## Start Hardware Loop

## DO

Operation	Assembler Syntax
SP + 1 → SP; LA → SSH; LC → SSL; [X or Y]:ea → LC SP + 1 → SP; PC → SSH; SR → SSL; expr – 1 → LA 1 → LF	DO [X or Y]:ea,expr
SP + 1 → SP; LA → SSH; LC → SSL; [X or Y]:aa → LC SP + 1 → SP; PC → SSH; SR → SSL; expr – 1 → LA 1 → LF	DO [X or Y]:aa,expr
SP + 1 → SP; LA → SSH; LC → SSL; #xxx → LC SP + 1 → SP; PC → SSH; SR → SSL; expr – 1 → LA 1 → LF	DO #xxx,expr
SP + 1 → SP; LA → SSH; LC → SSL; S → LC SP + 1 → SP; PC → SSH; SR → SSL; expr – 1 → LA 1 → LF	DO S,expr
End of Loop:	
SSL(LF) → SR; SP – 1 → SP	
SSH → LA; SSL → LC; SP – 1 → SP	

## Instruction Fields

{ea}	MMRRRR	Effective Address (see <b>Table 12-13</b> on page 12-18)
{X/Y}	S	Memory Space [X,Y] (see <b>Table 12-13</b> on page 12-18)
{expr}		24-bit Absolute Address in 16-bit extension word
{aa}	aaaaaa	Absolute Address [0–63]
{#xxx}	hhhhiiiiiii	Immediate Short Data [0–4095]
{S}	DDDDDD	Source register [all on-chip registers, <b>except SSH</b> ] (see <b>Table 12-13</b> on page 12-18)

For the DO SP, expr instruction, the actual value that is loaded into the Loop Counter (LC) is the value of the Stack Pointer (SP) before the DO instruction executes, incremented by one. Thus, if SP = 3, the execution of the DO SP,expr instruction loads the LC with the value LC = 4. For the DO SSL, expr instruction, the LC is loaded with its previous value, which was saved on the stack by the DO instruction itself.

**Description** Begin a hardware DO loop that is to be repeated the number of times specified in the instruction's source operand and whose range of execution is terminated by the destination operand (previously shown as “expr”). No overhead other than the execution of this DO instruction is required to set up this loop. DO loops can be nested and the loop count can be passed as a parameter.



During the first instruction cycle, the current contents of the Loop Address (LA) and the Loop Counter (LC) registers are pushed onto the System Stack. The DO source operand then loads into the LC register, which contains the remaining number of times the DO loop is to execute and can be accessed from inside the DO loop under certain restrictions. If the initial value of LC is 0 and the Sixteen-bit Compatibility mode bit (bit 13, SC, in the Chip Status Register) is cleared, the DO loop does not execute. If LC initial value is zero but SC is set, the DO loop executes 65,536 times. All address register indirect addressing modes can be used to generate the effective address of the source operand. If immediate short data is specified, the twelve LSBs of the LC register are loaded with the 12-bit immediate value, and the twelve MSBs of the LC register are cleared.

During the second instruction cycle, the current contents of the Program Counter (PC) register and the Status Register (SR) are pushed onto the System Stack. The stacking of the LA, LC, PC, and SR registers is the mechanism that permits the nesting of DO loops. The DO destination operand (shown as “expr”) is then loaded into the LA register. This 24-bit operand is located in the instruction’s 24-bit absolute address extension word, as shown in the opcode section. The value in the PC register pushed onto the system stack is the address of the first instruction following the DO instruction (that is, the first actual instruction in the DO loop). This value is read (copied but not pulled) from the top of the system stack to return to the top of the loop for another pass through the loop.

During the third instruction cycle, the Loop Flag (LF) is set, resulting in a repeated comparison of PC with LA to determine whether the last instruction in the loop has been fetched. If LA equals PC, the last instruction in the loop has been fetched and the LC is tested. If the LC is not equal to 1, it is decremented by one and SSH is loaded into the PC to fetch the first instruction in the loop again. When  $LC = 1$ , the “end-of-loop” processing begins.

When a DO loop executes, the instructions are actually fetched each time through the loop. Therefore, a DO loop can be interrupted. DO loops can also be nested. When DO loops are nested, the end-of-loop addresses must also be nested and are not allowed to be equal. The assembler generates an error message when DO loops are improperly nested.

During the “end-of-loop” processing, the Loop Flag (LF) from the lower portion (SSL) of the Stack Pointer is written into the SR, the contents of the LA register are restored from the upper portion (SSH) of  $(SP - 1)$ , the contents of LC are restored from the lower portion (SSL) of  $(SP - 1)$ , and the Stack Pointer is decremented by two. Instruction fetches continue at the address of the instruction following the last instruction in the DO loop. Note that LF is the only bit in the SR that is restored after a hardware DO loop is exited.

# DO

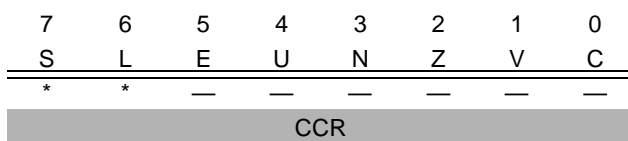
## Start Hardware Loop

# DO

**Note:**

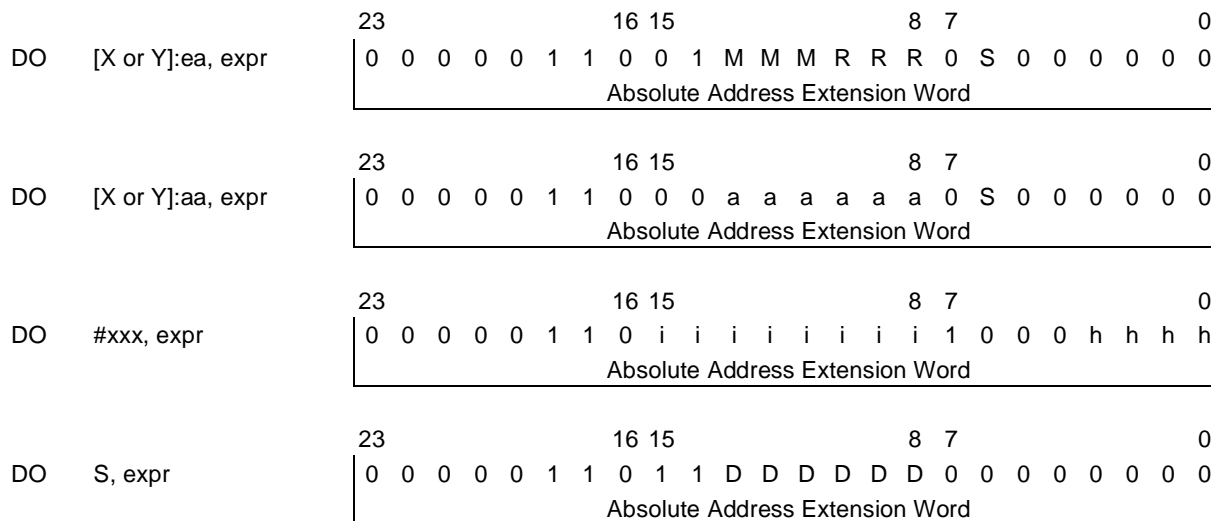
1. The assembler calculates the end-of-loop address to be loaded into LA (the absolute address extension word) by evaluating the end-of-loop expression “expr” and subtracting 1. This is done to accommodate the case where the last word in the DO loop is a two-word instruction. Thus, the end-of-loop expression “expr” in the source code must represent the address of the instruction AFTER the last instruction in the loop.
2. The Loop Flag (LF) is cleared by a hardware reset.

**Condition Codes**



- \* S Set if the instruction sends A/B accumulator contents to XDB or YDB.
- \* L Set if data limiting occurred [see Note above].
- Unchanged by the instruction.

**Instruction Formats and Opcodes**



# DO FOREVER

# DO FOREVER

## Start Infinite Loop

### Operation

SP + 1 → SP; LA → SSH; LC → SSL  
SP + 1 → SP; PC → SSH; SR → SSL; expr - 1 → LA  
1 → LF; 1 → FV

### Assembler Syntax

DO FOREVER,expr

### Instruction Fields None

**Description** Begin a hardware DO loop that is to repeat forever with a range of execution terminated by the destination operand (“expr”). No overhead other than the execution of this DO FOREVER instruction is required to set up this loop. DO FOREVER loops can nest with other types of instructions. During the first instruction cycle, the contents of the Loop Address (LA) and the Loop Counter (LC) registers are pushed onto the system stack. The LC register is pushed onto the stack but is not updated by this instruction.

During the second instruction cycle, the contents of the Program Counter (PC) register and the Status Register (SR) are pushed onto the system stack. Stacking the LA, LC, PC, and SR registers permits nesting DO FOREVER loops. The DO FOREVER destination operand (shown as “expr”) is then loaded into the LA register. This 24-bit operand resides in the instruction’s 24-bit absolute address extension word, as shown in the opcode section. The value in the PC register pushed onto the system stack is the address of the first instruction following the DO FOREVER instruction (that is, the first actual instruction in the DO FOREVER loop). This value is read (copied, but not pulled) from the top of the system stack to return to the top of the loop for another pass through the loop.

During the third instruction cycle, the Loop Flag (LF) and the Forever flag are set. Thus, the PC is repeatedly compared with LA to determine whether the last instruction in the loop has been fetched. When LA equals PC, the last instruction in the loop has been fetched and SSH is loaded into the PC to fetch the first instruction in the loop again. The LC register is then decremented by one without being tested. You can use this register to count the number of loops already executed.

Because the instructions are fetched each time through the DO FOREVER loop, the loop can be interrupted. DO FOREVER loops can also be nested. When DO FOREVER loops are nested, the end of loop addresses must also be nested and are not allowed to be equal. The assembler generates an error message when DO FOREVER loops are improperly nested.

# DO FOREVER

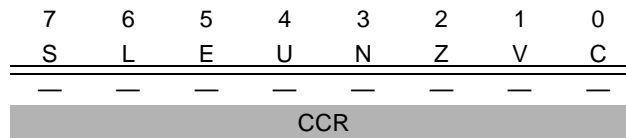
# DO FOREVER

## Start Infinite Loop

**Note:**

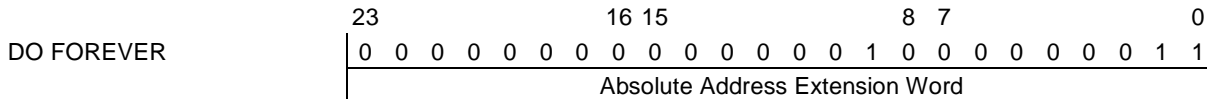
1. The assembler calculates the end-of-loop address to be loaded into LA (the absolute address extension word) by evaluating the end-of-loop expression “expr” and subtracting one. This is done to accommodate the case where the last word in the DO loop is a two-word instruction. Thus, the end-of-loop expression “expr” in the source code must represent the address of the instruction AFTER the last instruction in the loop.
2. The LC register is never tested by the DO FOREVER instruction, and the only way of terminating the loop process is to use either the ENDDO or BRKcc instructions. LC is decremented every time PC = LA so that it can be used by the programmer to keep track of the number of times the DO FOREVER loop has been executed. If the programmer wants to initialize LC to a particular value before the DO FOREVER, care should be taken to save it before if the DO loop is nested. If so, LC should also be restored immediately after exiting the nested DO FOREVER loop.

**Condition Codes**



— Unchanged by the instruction.

**Instruction Formats and Opcodes**



Operation	Assembler Syntax
SP+1 → SP;LA → SSH;LC → SSL;[X or Y]:ea → LC SP+1 → SP;PC → SSH;SR → SSL;PC + xxxx → LA 1 → LF	DOR [X or Y]:ea,label
SP+1 → SP;LA → SSH;LC → SSL;[X or Y]:aa → LC SP+1 → SP;PC → SSH;SR → SSL;PC + xxxx → LA 1 → LF	DOR [X or Y]:aa,label
SP+1 → SP;LA → SSH;LC → SSL;#xxx → LC SP+1 → SP;PC → SSH;SR → SSL;PC + xxxx → LA 1 → LF	DOR #xxx,label
SP+1 → SP;LA → SSH;LC → SSL;S → LC SP+1 → SP;PC → SSH;SR → SSL;PC + xxxx → LA 1 → LF	DOR S,label

### Instruction Fields

{ea}	MMMRRR	Effective Address (see <b>Table 12-13</b> on page 12-18)
{X/Y}	S	Memory Space [X,Y] (see <b>Table 12-13</b> on page 12-18)
{label}		24-bit Address Displacement in 24-bit extension word
{aa}	aaaaaa	Absolute Address [0–63]
{#xxx}	hhhhiiiiii	Immediate Short Data [0–4095]
{S}	DDDDDD	Source register [all on-chip registers <b>except SSH</b> ] (see <b>Table 12-13</b> on page 12-18)

**Description** Initiates the beginning of a PC-relative hardware program loop. The Loop Address (LA) and Loop Counter (LC) values are pushed onto the system stack. With proper system stack management, this allows unlimited nested hardware DO loops. The PC and SR are pushed onto the system stack. The PC is added to the 24-bit address displacement extension word and the resulting address is loaded into the Loop Address (LA) register. The effective address specifies the address of the loop count that is loaded into the LC. The DO loop executes LC times. If the LC initial value is zero and the 16-bit Compatibility mode bit (bit 13, SC, in the Status Register) is cleared, the DO loop is not executed. If LC initial value is zero but SC is set, the DO loop executes 65,536 times. All address register indirect addressing modes (less Long Displacement) can be used. Register Direct addressing mode can also be used. If immediate short data is specified, the LC is loaded with the zero extended 12-bit immediate data. During hardware loop operation, each instruction is fetched each time through the program loop. Therefore, instructions

---

**Instruction Set**

executing in a hardware loop are interruptible and can be nested. The value of the PC pushed onto the system stack is the location of the first

instruction after the DOR instruction. This value is read from the top of the system stack to return to the start of the program loop. When DOR instructions are nested, the end of loop addresses must also be nested and are not allowed to be equal.

The assembler calculates the end of LA (PC-relative address extension word xxxx) by evaluating the end of loop expression and subtracting one. Thus, the end of the loop expression in the source code represents the “next address” after the end of the loop. If a simple end of loop address label is used, it should be placed after the last instruction in the loop.

Since the end of loop comparison occurs at fetch time ahead of the end of loop execution, instructions that change program flow or the system stack cannot be used near the end of the loop without some restrictions. Proper hardware loop operation is guaranteed if no instruction starting at address LA-2, LA-1 or LA specifies the program controller registers SR, SP, SSL, LA, LC or (implicitly) PC as a destination register; or specifies SSH as a source or destination register. Also, SSH cannot be specified as a source register in the DOR instruction itself. The assembler generates a warning if the restricted instructions are found within their restricted boundaries.

### Implementation Notes

DOR SP,xxxx The actual value to be loaded into the LC is the value of the SP before the DOR instruction incremented by one.

DOR SSL,xxxx The LC is loaded with its previous value saved in the stack by the DOR instruction itself.

### Condition Codes

7	6	5	4	3	2	1	0
S	L	E	U	N	Z	V	C
*	*	—	—	—	—	—	—
CCR							

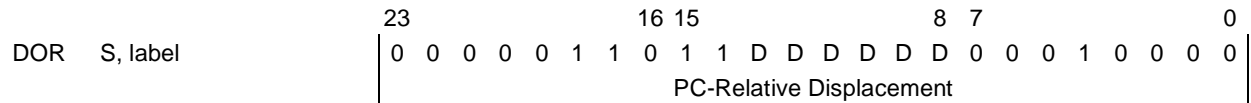
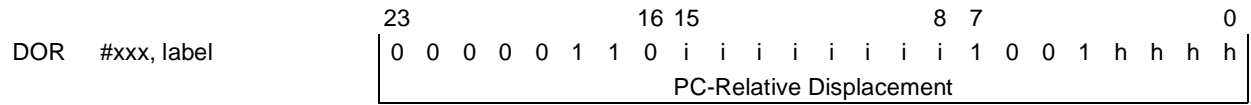
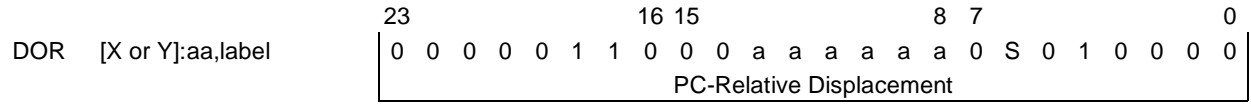
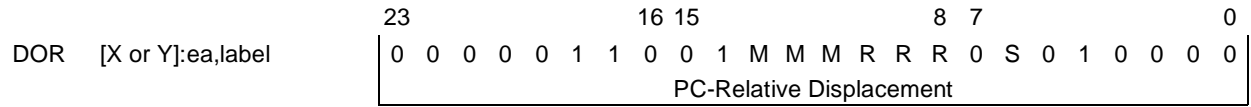
- \* S Set if the instruction sends A/B accumulator contents to XDB or YDB.
- \* L Set if data limiting occurred
- Unchanged by the instruction

# DOR

## Start PC-Relative Hardware Loop

# DOR

### Instruction Formats and Opcodes





# DOR FOREVER

# DOR FOREVER

## Start PC-Relative Infinite Loop

### Operation

SP+1 → SP; LA → SSH; LC → SSL  
SP+1 → SP; PC → SSH; SR → SSL; PC + xxxx → LA  
1 → LF; 1 → FV

### Assembler Syntax

DOR FOREVER, label

### Instruction Fields None

**Description** Begin a hardware DO loop that is to repeat forever with a range of execution terminated by the destination operand (“label”). No overhead other than the execution of this DOR FOREVER instruction is required to set up this loop. DOR FOREVER loops can be nested. During the first instruction cycle, the contents of the Loop Address (LA) and the Loop Counter (LC) registers are pushed onto the system stack. The LC register is pushed onto the stack but is not updated.

During the second instruction cycle, the contents of the Program Counter (PC) register and the Status Register (SR) are pushed onto the system stack. Stacking the LA, LC, PC, and SR registers permits nesting DOR FOREVER loops. The DOR FOREVER destination operand (shown as label) is then loaded into the LA register after it is added to the PC. This 24-bit operand resides in the instruction’s 24-bit relative address extension word as shown in the opcode section. The value in the PC register pushed onto the system stack is the address of the first instruction following the DOR FOREVER instruction (that is, the first actual instruction in the DOR FOREVER loop). This value is read (that is, copied but not pulled) from the top of the system stack to return to the top of the loop for another pass through the loop.

During the third instruction cycle, the Loop Flag (LF) and the ForeVer flag are set. As a result, the PC is repeatedly compared with LA to determine whether the last instruction in the loop has been fetched. If LA equals PC, the last instruction in the loop has been fetched and SSH is read (that is, copied but not pulled) into the PC to fetch the first instruction in the loop again. The LC register is then decremented by one without being tested. You can use this register to count the number of loops already executed.

When a DOR FOREVER loop executes, the instructions are fetched each time through the loop. Therefore, a DOR FOREVER loop can be interrupted. DOR FOREVER loops can also be nested. When DOR FOREVER loops are nested, the end of loop addresses must also be nested and cannot be equal. The assembler generates an error message when DOR FOREVER loops are improperly nested.

# DOR FOREVER

# DOR FOREVER

## Start PC-Relative Infinite Loops

**Note:** The assembler calculates the end of LA (PC-relative address extension word xxxx) by evaluating the end of loop expression and subtracting one. Thus the end of loop expression in the source code represents the “next address” after the end of the loop. If a simple end of loop address label is used, it should be placed after the last instruction in the loop.

The DOR FOREVER instruction never tests the LC register. The only way to terminate the loop process is to use either the ENDDO or BRKcc instruction. LC is decremented every time PC = LA, so you can use it to keep track of the number of times the DOR FOREVER loop has executed. If you want to initialize LC to a particular value before the DOR FOREVER, take care to save it before if the DO loop is nested. If so, LC should also be restored immediately after exiting the nested DOR FOREVER loop.

### Condition Codes

7	6	5	4	3	2	1	0
S	L	E	U	N	Z	V	C
—	—	—	—	—	—	—	—
CCR							

— Unchanged by the instruction

### Instruction Formats and Opcodes

DOR FOREVER	<table style="width: 100%; border-collapse: collapse;"> <tr> <td style="text-align: right; padding-right: 5px;">23</td> <td style="text-align: center; padding: 0 10px;">16 15</td> <td style="text-align: center; padding: 0 10px;">8 7</td> <td style="text-align: right; padding-right: 5px;">0</td> </tr> <tr> <td style="border-right: 1px solid black; padding-right: 5px;">0</td> <td style="border-right: 1px solid black; padding-right: 5px;">0</td> <td style="border-right: 1px solid black; padding-right: 5px;">0</td> <td style="border-right: 1px solid black; padding-right: 5px;">0</td> <td style="border-right: 1px solid black; padding-right: 5px;">0</td> <td style="border-right: 1px solid black; padding-right: 5px;">0</td> <td style="border-right: 1px solid black; padding-right: 5px;">0</td> <td style="border-right: 1px solid black; padding-right: 5px;">0</td> <td style="border-right: 1px solid black; padding-right: 5px;">0</td> <td style="border-right: 1px solid black; padding-right: 5px;">0</td> <td style="border-right: 1px solid black; padding-right: 5px;">0</td> <td style="border-right: 1px solid black; padding-right: 5px;">0</td> <td style="border-right: 1px solid black; padding-right: 5px;">1</td> <td style="border-right: 1px solid black; padding-right: 5px;">0</td> <td style="border-right: 1px solid black; padding-right: 5px;">0</td> <td style="border-right: 1px solid black; padding-right: 5px;">0</td> <td style="border-right: 1px solid black; padding-right: 5px;">0</td> <td style="border-right: 1px solid black; padding-right: 5px;">0</td> <td style="border-right: 1px solid black; padding-right: 5px;">0</td> <td style="border-right: 1px solid black; padding-right: 5px;">0</td> <td style="border-right: 1px solid black; padding-right: 5px;">0</td> <td style="border-right: 1px solid black; padding-right: 5px;">1</td> <td style="border-right: 1px solid black; padding-right: 5px;">0</td> </tr> <tr> <td colspan="24" style="text-align: center; padding: 5px;">PC-Relative Displacement</td> </tr> </table>	23	16 15	8 7	0	0	0	0	0	0	0	0	0	0	0	0	0	1	0	0	0	0	0	0	0	0	1	0	PC-Relative Displacement																							
23	16 15	8 7	0																																																	
0	0	0	0	0	0	0	0	0	0	0	0	1	0	0	0	0	0	0	0	0	1	0																														
PC-Relative Displacement																																																				

### Operation

SSL(LF) → SR; SP - 1 → SP  
 SSH → LA; SSL → LC; SP - 1 → SP

### Assembler Syntax

ENDDO

### Instruction Fields None

**Description** Terminate the current hardware DO loop before the current Loop Counter (LC) equals one. If the value of the current DO LC is needed, it must be read before the execution of the ENDDO instruction. Initially, the Loop Flag (LF) is restored from the system stack and the remaining portion of the Status Register (SR) and the Program Counter (PC) are purged from the system stack. The Loop Address (LA) and the LC registers are then restored from the system stack.

### Condition Codes

7	6	5	4	3	2	1	0
S	L	E	U	N	Z	V	C
—	—	—	—	—	—	—	—
CCR							

— Unchanged by the instruction.

### Instruction Formats and Opcodes

	23		16	15		8	7		0
ENDDO	0	0	0	0	0	0	0	0	0
	0	0	0	0	0	0	0	0	0
						1	0	0	0
						1	1	0	0

# EOR

## Logical Exclusive OR

# EOR

**Operation** $S \oplus D[47-24] \rightarrow D[47-24]$  (parallel move) $\#xx \oplus D[47-24] \rightarrow D[47-24]$  $\#xxxx \oplus D[47-24] \rightarrow D[47-24]$ **Assembler Syntax**

EOR S,D (parallel move)

EOR #xx,D

EOR #xxxx,D

where  $\oplus$  denotes the logical XOR operator.**Instruction Fields**

{S}	JJ	Source register [X0,X1,Y0,Y1] (see <b>Table 12-13</b> on page 12-18)
{D}	d	Destination accumulator [A/B] (see <b>Table 12-13</b> on page 12-18)
{#xx}	iiii	6-bit Immediate Short Data
{#xxxx}		24-bit Immediate Long Data extension word

**Description** Logically exclusive OR the source operand S with bits 47–24 of the destination operand D and store the result in bits 47–24 of the destination accumulator. The source can be a 24-bit register, 6-bit short immediate or 24-bit long immediate. This instruction is a 24-bit operation. The remaining bits of the destination operand D are not affected. When 6-bit immediate data is used, the data is interpreted as an unsigned integer. That is, the 6 bits are right-aligned, and the remaining bits are zeroed to form a 24-bit source operand.

**Condition Codes**

7	6	5	4	3	2	1	0
S	L	E	U	N	Z	V	C
√	√	—	—	*	*	*	—
CCR							

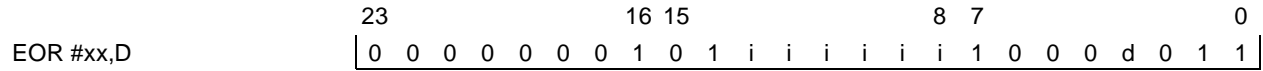
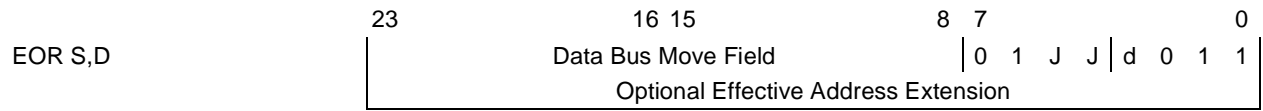
- \* N Set if bit 47 of the result is set.
- \* Z Set if bits 47–24 of the result are 0.
- \* V Always cleared.
- √ Changed according to the standard definition.
- Unchanged by the instruction.

# EOR

## Logical Exclusive OR

# EOR

### Instruction Formats and Opcodes



# EXTRACT

## Extract Bit Field

# EXTRACT

**Operation**

Offset = S1[5–0]  
Width = S1[17–12]

$S2[(\text{offset} + \text{width} - 1):\text{offset}] \rightarrow D[(\text{width} - 1):0]$   
 $S2[\text{offset} + \text{width} - 1] \rightarrow D[39:\text{width}]$  (sign extension)

Offset = #CO[5–0]  
Width = #CO[17–12]

$S2[(\text{offset} + \text{width} - 1):\text{offset}] \rightarrow D[(\text{width} - 1):0]$   
 $S2[\text{offset} + \text{width} - 1] \rightarrow D[39:\text{width}]$  (sign extension)

**Assembler Syntax**

EXTRACT S1,S2,D

EXTRACT #CO,S2,D

**Instruction Fields**

{S2}	s	Source accumulator [A,B] (see <b>Table 12-13</b> on page 12-18)
{D}	D	Destination accumulator [A,B] (see <b>Table 12-13</b> on page 12-18)
{S1}	SSS	Control register [X0,X1,Y0,Y1,A1,B1] (see <b>Table 12-13</b> on page 12-18)
{#CO}		Control word extension.

**Description** Extract a bit-field from source accumulator S2. The bit-field width is specified by bits 17–12 in the S1 register or in the immediate control word #CO. The offset from the Least Significant Bit is specified by bits 5–0 in the S1 register or in the immediate control word #CO. The extracted field is placed into destination accumulator D, aligned to the right. The control register can be constructed by the MERGE instruction. EXTRACT is a 56-bit operation. Bits outside the field are filled with sign extension according to the Most Significant Bit of the extracted bit field.

**Note:**

1. In Sixteen-bit Arithmetic mode, the offset field is located in bits 13–8 of the control register and the width field is located in bits 21–16 of the control register. These fields corresponds to the definition of the fields in the MERGE instruction.
2. In Sixteen-bit Arithmetic mode, when the width value is zero, then the result will be undefined.
3. If offset + width exceeds the value of 56, the result is undefined.

# EXTRACT

## Extract Bit Field

# EXTRACT

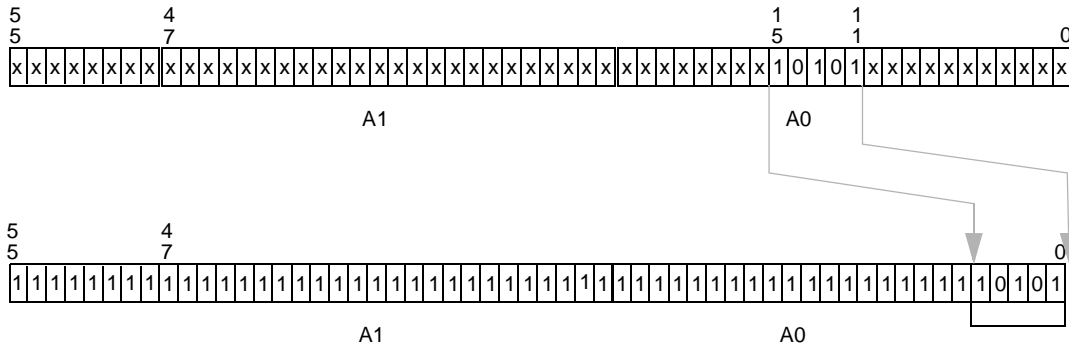
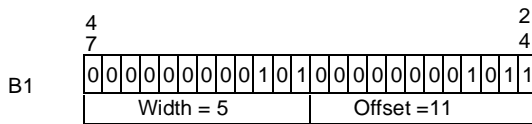
### Condition Codes

7	6	5	4	3	2	1	0
S	L	E	U	N	Z	V	C
—	—	√	√	√	√	*	*
CCR							

- \* V Always cleared.
- \* C Always cleared.
- Unchanged by the instruction.
- √ Changed according to the standard definition.

### Example

EXTRACT B1,A,A



### Instruction Formats and Opcodes

		23	16 15	8 7	0		
EXTRACT	S1,S2,D	0 0 0 0 1 1 0 0 0 0 0 1 1 0 1 0 0 0 0 0	s	S	S	S	D
EXTRACT	#CO,S2,D	0 0 0 0 1 1 0 0 0 0 0 0 1 1 0 0 0 0 0 0 0 0	s	0	0	0	D
		Control Word Extension					

# EXTRACTU

# EXTRACTU

## Extract Unsigned Bit Field

### Operation

Offset = S1[5–0]  
Width = S1[17–12]

$S2[(\text{offset} + \text{width} - 1):\text{offset}] \rightarrow D[(\text{width} - 1):0]$   
zero  $\rightarrow D[55:\text{width}]$

Offset = #CO[5–0]  
Width = #CO[17–12]

$S2[(\text{offset} + \text{width} - 1):\text{offset}] \rightarrow D[(\text{width}-1):0]$   
zero  $\rightarrow D[39:\text{width}]$

### Assembler Syntax

EXTRACTU S1,S2,D

EXTRACTU #CO,S2,D

### Instruction Fields

{S2}	s	Source accumulator [A,B] (see <b>Table 12-13</b> on page 12-18)
{D}	D	Destination accumulator [A,B] (see <b>Table 12-13</b> on page 12-18)
{S1}	SSS	Control register [X0,X1,Y0,Y1,A1,B1] (see <b>Table 12-13</b> on page 12-18)
{#CO}		Control word extension

**Description** Extract an unsigned bit-field from source accumulator S2. The bit-field width is specified by bits 17–12 in the S1 register or in the immediate control word #CO. The offset from the LSB is specified by bits 5–0 in the S1 register or in the immediate control word #CO. The extracted field is placed into destination accumulator D, aligned to the right. The control register can be constructed using the MERGE instruction. EXTRACTU is a 56-bit operation. Bits outside the field are filled with zeros.

### Note:

1. In Sixteen-bit Arithmetic mode, the offset field is located in bits 13–8 of the control register and the width field is located in bits 21–16 of the control register. These fields correspond to the definition of the fields in the MERGE instruction.
2. If offset + width exceeds the value of 56, the result is undefined.



# EXTRACTU

# EXTRACTU

## Extract Unsigned Bit Field

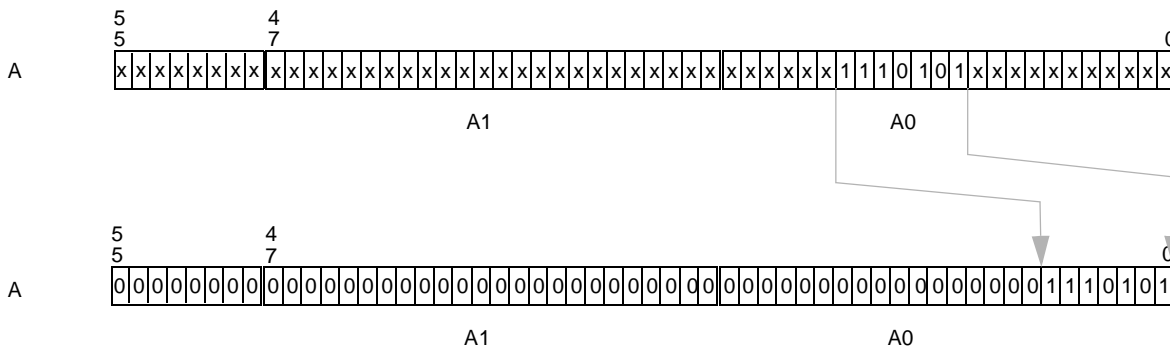
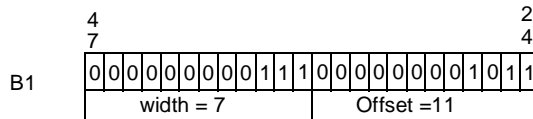
### Condition Codes

7	6	5	4	3	2	1	0
S	L	E	U	N	Z	V	C
—	—	√	√	√	√	*	*
CCR							

- \* V Always cleared.
- \* C Always cleared.
- Unchanged by the instruction.
- √ Changed according to the standard definition.

### Example

EXTRACTU B1,A,A



### Instruction Formats and Opcodes

EXTRACTU	S1,S2,D	23	16	15	8	7	0																			
		0	0	0	0	1	1	0	0	0	0	0	1	1	0	1	0	1	0	0	s	S	S	S	D	
EXTRACTU	#CO,S2,D	23	16	15	8	7	0																			
		0	0	0	0	1	1	0	0	0	0	0	1	1	0	0	0	1	0	0	s	0	0	0	0	D
		Control Word Extension																								

**IFcc****Execute Conditionally Without CCR Update****IFcc****Operation**

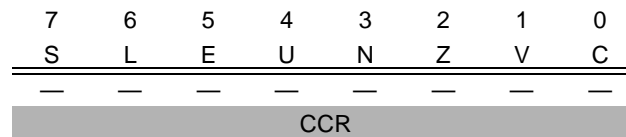
If cc, then opcode operation

**Assembler Syntax**

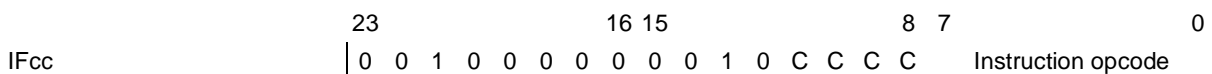
opcode-Operands IFcc

**Instruction Fields****{cc}**      **CCCC**      Condition code (see **Table 12-18** on page 12-24)

**Description** If the specified condition is true, execute and store result of the specified Data ALU operation. If the specified condition is false, no destination is altered. The CCR is never updated with the condition codes generated by the Data ALU operation. The instructions that can conditionally be executed using IFcc are the parallel arithmetic and logical instructions. See **Table 12-4** on page 12-7 and **Table 12-5** on page 12-9 for a list of those instructions. The conditions specified by “cc” are listed in **Table 12-18** on page 12-24.

**Condition Codes**

—      Unchanged by the instruction.

**Instruction Formats and Opcodes**

### Operation

If cc, then opcode operation

### Assembler Syntax

opcode-Operands IFcc

### Instruction Fields

{cc}      CCCC      Condition code (see **Table 12-18** on page 12-24)

**Description** If the specified condition is true, execute and store result of the specified Data ALU operation and update the CCR with the status information generated by the Data ALU operation. If the specified condition is false, no destination is altered and the CCR is not affected. The instructions that can conditionally be executed using IFcc.U are the parallel arithmetic and logical instructions. See **Table 12-4** on page 12-7 and **Table 12-5** on page 12-9 for a list of these instructions. The conditions specified by “cc” are listed on **Table 12-18** on page 12-24.

### Condition Codes

7	6	5	4	3	2	1	0
S	L	E	U	N	Z	V	C
*	*	*	*	*	*	*	*
CCR							

\* If the specified condition is true, changes are made according to the instruction. Otherwise, it is not changed.

### Instruction Formats and Opcodes

	23	16	15	8	7	0
IFcc.U	0	0	1	0	0	0
	0	0	0	0	0	0
	0	0	0	0	0	0
	0	0	1	1	C	C
	C	C	C	C	C	C
	Instruction opcode					



**Operation**

D + 1 → D

**Assembler Syntax**

INC D

**Instruction Fields**

{D}      d      Destination accumulator [A,B] (see **Table 12-13** on page 12-18)

**Description** Increment by one the specified operand and store the result in the destination accumulator. One is added from the LSB of D.

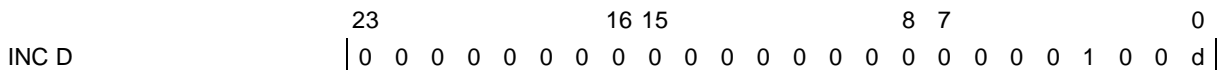
**Condition Codes**

7	6	5	4	3	2	1	0
S	L	E	U	N	Z	V	C
—	√	√	√	√	√	√	√
CCR							

√      Changed according to the standard definition.

—      Unchanged by the instruction.

**Instruction Formats and Opcodes**



# INSERT

## Insert Bit Field

# INSERT

**Operation**

Offset = S1[5–0]  
Width = S1[17–12]

$S2[(width - 1):0] \rightarrow D[(offset + width - 1):offset]$

Offset = #CO[5–0]  
Width = #CO[17–12]

$S2[(width-1):0] \rightarrow D[(offset + width - 1):offset]$

**Assembler Syntax**

INSERT S1,S2,D

INSERT #CO,S2,D

**Instruction Fields**

{D}	D	Destination accumulator [A,B] (see <b>Table 12-13</b> on page 12-18)
{S1}	SSS	Control register [X0,X1,Y0,Y1,A1,B1] (see <b>Table 12-13</b> on page 12-18)
{S2}	qqq	Source register [X0,X1,Y0,Y1,A0,B0] (see <b>Table 12-13</b> on page 12-18)
{#CO}		Control word extension

**Description** Insert a bit-field into the destination accumulator D. The bit-field whose width is specified by bits 17–12 in S1 register begins at the LSB of the S2 register. This bit-field is inserted in the destination accumulator D, with an offset according to bits 5–0 in the S1 register. The S1 operand can be an immediate control word #CO. The width specified by S1 should not exceed a value of 24. The construction of the control register can be done by using the MERGE instruction. This is a 56-bit operation. Any bits outside the field remain unchanged.

**Note:**

1. In Sixteen-bit Arithmetic mode, the offset field is located in bits 13–8 of the control register and the width field is located in bits 21–16 of the control register. These fields corresponds to the definition of the fields in the MERGE instruction. Width specified by S1 should not exceed a value of 16.
2. In Sixteen-bit Arithmetic mode, the offset value, located in the offset field, should be the needed offset you pre-incremented by a bias of 16.
3. If  $offset + width > 56$ , the result is undefined.

# INSERT

## Insert Bit Field

# INSERT

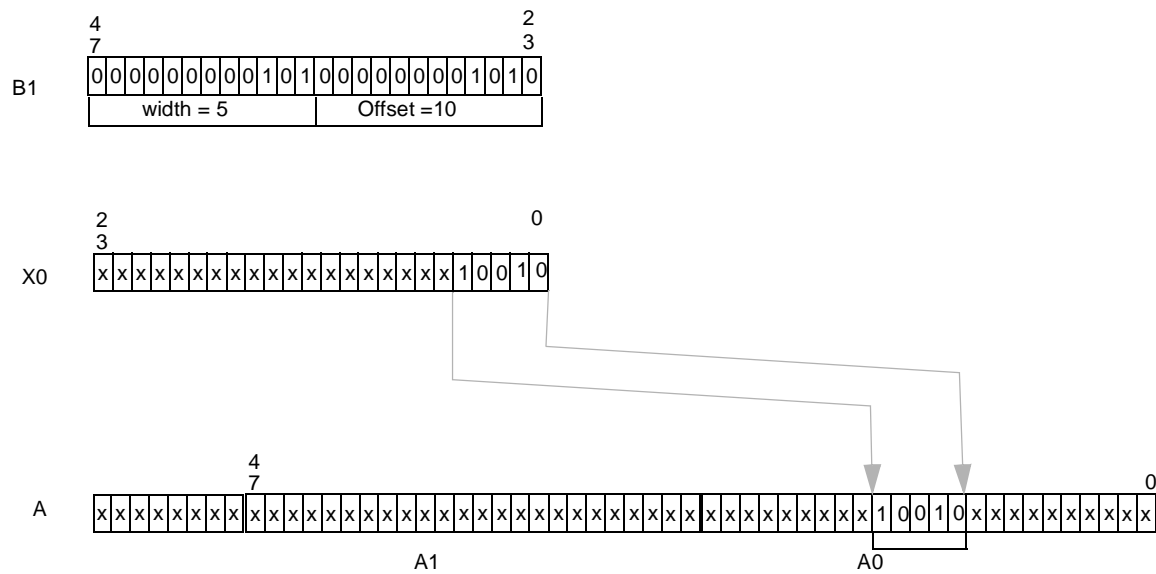
### Condition Codes

7	6	5	4	3	2	1	0
S	L	E	U	N	Z	V	C
—	—	√	√	√	√	*	*
CCR							

- \* V Always cleared.
- \* C Always cleared.
- Unchanged by the instruction.
- √ Changed according to the standard definition.

### Example

INSERT B1,X0,A



### Instruction Formats and Opcodes

INSERT	S1,S2,D	23	16	15	8	7	0	
		0	0	0	0	1	1	
		0	0	0	0	0	0	
		1	1	0	0	0	0	
		1	1	0	1	1	0	
		q	q	q	q	S	S	
		S	S	S	D			
INSERT	#CO,S2,D	23	16	15	8	7	0	
		0	0	0	0	1	1	
		0	0	0	0	0	0	
		1	1	0	0	1	0	
		q	q	q	0	0	0	
		0	0	0	D			
		Control Word Extension						





Operation						Assembler Syntax	
If	S{n} = 0	then	xxxx	→	PC	JCLR	#n,[X or Y]:ea,xxxx
		else	PC + 1	→	PC		
If	S{n} = 0	then	xxxx	→	PC	JCLR	#n,[X or Y]:aa,xxxx
		else	PC + 1	→	PC		
If	S{n} = 0	then	xxxx	→	PC	JCLR	#n,[X or Y]:pp,xxxx
		else	PC + 1	→	PC		
If	S{n} = 0	then	xxxx	→	PC	JCLR	#n,[X or Y]:qq,xxxx
		else	PC + 1	→	PC		
If	S{n} = 0	then	xxxx	→	PC	JCLR	#n,S,xxxx
		else	PC + 1	→	PC		

### Instruction Fields

{#n}	bbbb	Bit number [0–23]
{ea}	MMRRRR	Effective Address (see <b>Table 12-13</b> on page 12-18)
{X/Y}	S	Memory Space [X, Y] (see <b>Table 12-13</b> on page 12-18)
{xxxx}		24-bit absolute Address extension word
{aa}	aaaaaa	Absolute Address [0–63]
{pp}	pppppp	I/O Short Address [64 addresses: \$FFFFC0–\$FFFFFF]
{qq}	qqqqqq	I/O Short Address [64 addresses: \$FFFF80–\$FFFFBF]
{S}	DDDDDD	Source register [all on-chip registers] (see <b>Table 12-13</b> on page 12-18)

**Description** Jump to the 24-bit absolute address in program memory specified in the instruction's 24-bit extension word if the n<sup>th</sup> bit of the source operand S is clear. The bit to be tested is selected by an immediate bit number from 0–23. If the specified memory bit is not clear, the Program Counter (PC) is incremented and the absolute address in the extension word is ignored. However, the address register specified in the effective address field is always updated independently of the state of the n<sup>th</sup> bit. All address register indirect addressing modes can reference the source operand S. Absolute Short and I/O Short addressing modes can also be used.

# JCLR

## Jump if Bit Clear

# JCLR

### Condition Codes

7	6	5	4	3	2	1	0
S	L	E	U	N	Z	V	C
√	√	—	—	—	—	—	—
CCR							

√ Changed according to the standard definition.

— Unchanged by the instruction.

### Instruction Formats and Opcodes

JCLR	#n,[X or Y]:ea,xxxx	<table border="1"> <tr> <td>23</td> <td>16 15</td> <td>8 7</td> <td>0</td> </tr> <tr> <td>0 0 0 0 1 0 1 0 0 1</td> <td>M M M R R R</td> <td>1 S 0 0</td> <td>b b b b</td> </tr> <tr> <td colspan="4" style="text-align: center;">Absolute Address Extension</td> </tr> </table>	23	16 15	8 7	0	0 0 0 0 1 0 1 0 0 1	M M M R R R	1 S 0 0	b b b b	Absolute Address Extension			
23	16 15	8 7	0											
0 0 0 0 1 0 1 0 0 1	M M M R R R	1 S 0 0	b b b b											
Absolute Address Extension														
JCLR	#n,[X or Y]:aa,xxxx	<table border="1"> <tr> <td>23</td> <td>16 15</td> <td>8 7</td> <td>0</td> </tr> <tr> <td>0 0 0 0 1 0 1 0 0 0</td> <td>a a a a a a</td> <td>1 S 0 0</td> <td>b b b b</td> </tr> <tr> <td colspan="4" style="text-align: center;">Absolute Address Extension</td> </tr> </table>	23	16 15	8 7	0	0 0 0 0 1 0 1 0 0 0	a a a a a a	1 S 0 0	b b b b	Absolute Address Extension			
23	16 15	8 7	0											
0 0 0 0 1 0 1 0 0 0	a a a a a a	1 S 0 0	b b b b											
Absolute Address Extension														
JCLR	#n,[X or Y]:pp,xxxx	<table border="1"> <tr> <td>23</td> <td>16 15</td> <td>8 7</td> <td>0</td> </tr> <tr> <td>0 0 0 0 1 0 1 0 1 0</td> <td>p p p p p p</td> <td>1 S 0 0</td> <td>b b b b</td> </tr> <tr> <td colspan="4" style="text-align: center;">Absolute Address Extension</td> </tr> </table>	23	16 15	8 7	0	0 0 0 0 1 0 1 0 1 0	p p p p p p	1 S 0 0	b b b b	Absolute Address Extension			
23	16 15	8 7	0											
0 0 0 0 1 0 1 0 1 0	p p p p p p	1 S 0 0	b b b b											
Absolute Address Extension														
JCLR	#n,[X or Y]:qq,xxxx	<table border="1"> <tr> <td>23</td> <td>16 15</td> <td>8 7</td> <td>0</td> </tr> <tr> <td>0 0 0 0 0 0 0 1 1 0</td> <td>q q q q q q</td> <td>1 S 0 0</td> <td>b b b b</td> </tr> <tr> <td colspan="4" style="text-align: center;">Absolute Address Extension</td> </tr> </table>	23	16 15	8 7	0	0 0 0 0 0 0 0 1 1 0	q q q q q q	1 S 0 0	b b b b	Absolute Address Extension			
23	16 15	8 7	0											
0 0 0 0 0 0 0 1 1 0	q q q q q q	1 S 0 0	b b b b											
Absolute Address Extension														
JCLR	#n,S,xxxx	<table border="1"> <tr> <td>23</td> <td>16 15</td> <td>8 7</td> <td>0</td> </tr> <tr> <td>0 0 0 0 1 0 1 0 1 1</td> <td>D D D D D D</td> <td>0 0 0 0</td> <td>b b b b</td> </tr> <tr> <td colspan="4" style="text-align: center;">Absolute Address Extension</td> </tr> </table>	23	16 15	8 7	0	0 0 0 0 1 0 1 0 1 1	D D D D D D	0 0 0 0	b b b b	Absolute Address Extension			
23	16 15	8 7	0											
0 0 0 0 1 0 1 0 1 1	D D D D D D	0 0 0 0	b b b b											
Absolute Address Extension														

# JMP

## Jump

# JMP

### Operation

0xxx → Pc

ea → Pc

### Assembler Syntax

JMP xxx

JMP ea

### Instruction Fields

{xxx}	aaaaaaaaaaaa	Short Jump Address
{ea}	MMMRRR	Effective Address (see <b>Table 12-13</b> on page 12-18)

**Description** Jump to the location in program memory given by the instruction's effective address. All memory-alterable addressing modes can be used for the effective address. A Fast Short Jump addressing mode can also be used. The 12-bit data is zero-extended to form the effective address.

### Condition Codes

7	6	5	4	3	2	1	0
S	L	E	U	N	Z	V	C
—	—	—	—	—	—	—	—
CCR							

— Unchanged by the instruction.

### Instruction Formats and Opcodes

JMP	ea	<table style="width: 100%; border-collapse: collapse;"> <tr> <td style="text-align: right; padding-right: 5px;">23</td> <td style="text-align: right; padding-right: 5px;">16 15</td> <td style="text-align: right; padding-right: 5px;">8 7</td> <td style="text-align: right; padding-right: 5px;">0</td> </tr> <tr> <td style="padding-right: 5px;">0</td> <td style="padding-right: 5px;">0</td> <td style="padding-right: 5px;">0</td> <td style="padding-right: 5px;">0</td> </tr> <tr> <td style="padding-right: 5px;">1</td> <td style="padding-right: 5px;">0</td> <td style="padding-right: 5px;">1</td> <td style="padding-right: 5px;">1</td> </tr> <tr> <td style="padding-right: 5px;">M</td> <td style="padding-right: 5px;">M</td> <td style="padding-right: 5px;">M</td> <td style="padding-right: 5px;">R</td> </tr> <tr> <td style="padding-right: 5px;">R</td> <td style="padding-right: 5px;">R</td> <td style="padding-right: 5px;">R</td> <td style="padding-right: 5px;">1</td> </tr> <tr> <td style="padding-right: 5px;">0</td> <td style="padding-right: 5px;">0</td> <td style="padding-right: 5px;">0</td> <td style="padding-right: 5px;">0</td> </tr> <tr> <td style="padding-right: 5px;">0</td> <td style="padding-right: 5px;">0</td> <td style="padding-right: 5px;">0</td> <td style="padding-right: 5px;">0</td> </tr> <tr> <td style="padding-right: 5px;">0</td> <td style="padding-right: 5px;">0</td> <td style="padding-right: 5px;">0</td> <td style="padding-right: 5px;">0</td> </tr> <tr> <td colspan="4" style="text-align: center; padding: 2px 5px;">Optional Effective Address Extension</td> </tr> </table>	23	16 15	8 7	0	0	0	0	0	1	0	1	1	M	M	M	R	R	R	R	1	0	0	0	0	0	0	0	0	0	0	0	0	Optional Effective Address Extension							
23	16 15	8 7	0																																							
0	0	0	0																																							
1	0	1	1																																							
M	M	M	R																																							
R	R	R	1																																							
0	0	0	0																																							
0	0	0	0																																							
0	0	0	0																																							
Optional Effective Address Extension																																										
JMP	xxx	<table style="width: 100%; border-collapse: collapse;"> <tr> <td style="text-align: right; padding-right: 5px;">23</td> <td style="text-align: right; padding-right: 5px;">16 15</td> <td style="text-align: right; padding-right: 5px;">8 7</td> <td style="text-align: right; padding-right: 5px;">0</td> </tr> <tr> <td style="padding-right: 5px;">0</td> <td style="padding-right: 5px;">0</td> <td style="padding-right: 5px;">0</td> <td style="padding-right: 5px;">0</td> </tr> <tr> <td style="padding-right: 5px;">1</td> <td style="padding-right: 5px;">1</td> <td style="padding-right: 5px;">0</td> <td style="padding-right: 5px;">0</td> </tr> <tr> <td style="padding-right: 5px;">0</td> <td style="padding-right: 5px;">0</td> <td style="padding-right: 5px;">0</td> <td style="padding-right: 5px;">0</td> </tr> <tr> <td style="padding-right: 5px;">0</td> <td style="padding-right: 5px;">0</td> <td style="padding-right: 5px;">0</td> <td style="padding-right: 5px;">0</td> </tr> <tr> <td style="padding-right: 5px;">a</td> <td style="padding-right: 5px;">a</td> <td style="padding-right: 5px;">a</td> <td style="padding-right: 5px;">a</td> </tr> <tr> <td style="padding-right: 5px;">a</td> <td style="padding-right: 5px;">a</td> <td style="padding-right: 5px;">a</td> <td style="padding-right: 5px;">a</td> </tr> <tr> <td style="padding-right: 5px;">a</td> <td style="padding-right: 5px;">a</td> <td style="padding-right: 5px;">a</td> <td style="padding-right: 5px;">a</td> </tr> <tr> <td style="padding-right: 5px;">a</td> <td style="padding-right: 5px;">a</td> <td style="padding-right: 5px;">a</td> <td style="padding-right: 5px;">a</td> </tr> <tr> <td style="padding-right: 5px;">a</td> <td style="padding-right: 5px;">a</td> <td style="padding-right: 5px;">a</td> <td style="padding-right: 5px;">a</td> </tr> </table>	23	16 15	8 7	0	0	0	0	0	1	1	0	0	0	0	0	0	0	0	0	0	a	a	a	a	a	a	a	a	a	a	a	a	a	a	a	a	a	a	a	a
23	16 15	8 7	0																																							
0	0	0	0																																							
1	1	0	0																																							
0	0	0	0																																							
0	0	0	0																																							
a	a	a	a																																							
a	a	a	a																																							
a	a	a	a																																							
a	a	a	a																																							
a	a	a	a																																							



Operation		Assembler Syntax
If S{n} = 0	then SP + 1 → SP; PC → SSH; SR → SSL; ;xxxx → PC else PC + 1 → PC	JSCLR #n,[X or Y]:ea,xxxx
If S{n} = 0	then SP + 1 → SP; PC → SSH; SR → SSL; ;xxxx → PC else PC + 1 → PC	JSCLR #n,[X or Y]:aa,xxxx
If S{n} = 0	then SP + 1 → SP; PC → SSH; SR → SSL; ;xxxx → PC else PC + 1 → PC	JSCLR #n,[X or Y]:pp,xxxx
If S{n} = 0	then SP + 1 → SP; PC → SSH; SR → SSL; ;xxxx → PC else PC + 1 → PC	JSCLR #n,[X or Y]:qq,xxxx
If S{n} = 0	then SP + 1 → SP; PC → SSH; SR → SSL; ;xxxx → PC else PC + 1 → PC	JSCLR #n,S,xxxx

### Instruction Fields

{#n}	bbbb	Bit number [0–23]
{ea}	MMMRRR	Effective Address (see <b>Table 12-13</b> on page 12-18)
{X/Y}	S	Memory Space [X, Y] (see <b>Table 12-13</b> on page 12-18)
{xxxx}		24-bit absolute Address extension word
{aa}	aaaaaa	Absolute Address [0–63]
{pp}	pppppp	I/O Short Address [64 addresses: \$FFFFC0–\$FFFFFF]
{qq}	qqqqqq	I/O Short Address [64 addresses: \$FFFF80–\$FFFFBF]
{S}	DDDDDD	Source register [all on-chip registers] (see <b>Table 12-13</b> on page 12-18)

**Description** Jump to the subroutine at the 24-bit absolute address in program memory specified in the instruction's 24-bit extension word if the n<sup>th</sup> bit of the source operand S is clear. The bit to be tested is selected by an immediate bit number from 0–23. If the n<sup>th</sup> bit of source operand S is clear, the address of the instruction immediately following the JSCLR instruction (PC) and the SR are pushed onto the system stack. Program execution then continues at the specified absolute address in the instruction's 24-bit extension word. If the specified memory bit is not clear, the PC is incremented and the extension word is ignored. However, the address register specified in the effective address field is always updated independently of the state of the n<sup>th</sup> bit. All address register indirect addressing modes can reference the source operand S. Absolute short and I/O short addressing modes can also be used.

# JSCLR

## Jump to Subroutine if Bit Clear

# JSCLR

### Condition Codes

7	6	5	4	3	2	1	0
S	L	E	U	N	Z	V	C
√	√	—	—	—	—	—	—
CCR							

√ Changed according to the standard definition.

— Unchanged by the instruction.

### Instruction Formats and Opcodes

JSCLR	#n,[X or Y]:ea,xxxx	<table border="1"> <tr> <td>23</td> <td>16 15</td> <td>8 7</td> <td>0</td> </tr> <tr> <td>0 0 0 0 1 0 1 1</td> <td>0 1 M M M R R R</td> <td>1 S 0 0 b b b b</td> <td></td> </tr> <tr> <td colspan="4" style="text-align: center;">Absolute Address Extension</td> </tr> </table>	23	16 15	8 7	0	0 0 0 0 1 0 1 1	0 1 M M M R R R	1 S 0 0 b b b b		Absolute Address Extension			
23	16 15	8 7	0											
0 0 0 0 1 0 1 1	0 1 M M M R R R	1 S 0 0 b b b b												
Absolute Address Extension														
JSCLR	#n,[X or Y]:aa,xxxx	<table border="1"> <tr> <td>23</td> <td>16 15</td> <td>8 7</td> <td>0</td> </tr> <tr> <td>0 0 0 0 1 0 1 1</td> <td>0 0 a a a a a a</td> <td>1 S 0 0 b b b b</td> <td></td> </tr> <tr> <td colspan="4" style="text-align: center;">Absolute Address Extension</td> </tr> </table>	23	16 15	8 7	0	0 0 0 0 1 0 1 1	0 0 a a a a a a	1 S 0 0 b b b b		Absolute Address Extension			
23	16 15	8 7	0											
0 0 0 0 1 0 1 1	0 0 a a a a a a	1 S 0 0 b b b b												
Absolute Address Extension														
JSCLR	#n,[X or Y]:pp,xxxx	<table border="1"> <tr> <td>23</td> <td>16 15</td> <td>8 7</td> <td>0</td> </tr> <tr> <td>0 0 0 0 1 0 1 1</td> <td>1 0 p p p p p p</td> <td>1 S 0 0 b b b b</td> <td></td> </tr> <tr> <td colspan="4" style="text-align: center;">Absolute Address Extension</td> </tr> </table>	23	16 15	8 7	0	0 0 0 0 1 0 1 1	1 0 p p p p p p	1 S 0 0 b b b b		Absolute Address Extension			
23	16 15	8 7	0											
0 0 0 0 1 0 1 1	1 0 p p p p p p	1 S 0 0 b b b b												
Absolute Address Extension														
JSCLR	#n,[X or Y]:qq,xxxx	<table border="1"> <tr> <td>23</td> <td>16 15</td> <td>8 7</td> <td>0</td> </tr> <tr> <td>0 0 0 0 0 0 0 1</td> <td>1 1 q q q q q q</td> <td>1 S 0 0 b b b b</td> <td></td> </tr> <tr> <td colspan="4" style="text-align: center;">Absolute Address Extension</td> </tr> </table>	23	16 15	8 7	0	0 0 0 0 0 0 0 1	1 1 q q q q q q	1 S 0 0 b b b b		Absolute Address Extension			
23	16 15	8 7	0											
0 0 0 0 0 0 0 1	1 1 q q q q q q	1 S 0 0 b b b b												
Absolute Address Extension														
JSCLR	#n,S,xxxx	<table border="1"> <tr> <td>23</td> <td>16 15</td> <td>8 7</td> <td>0</td> </tr> <tr> <td>0 0 0 0 1 0 1 1</td> <td>1 1 D D D D D D</td> <td>0 0 0 0 b b b b</td> <td></td> </tr> <tr> <td colspan="4" style="text-align: center;">Absolute Address Extension</td> </tr> </table>	23	16 15	8 7	0	0 0 0 0 1 0 1 1	1 1 D D D D D D	0 0 0 0 b b b b		Absolute Address Extension			
23	16 15	8 7	0											
0 0 0 0 1 0 1 1	1 1 D D D D D D	0 0 0 0 b b b b												
Absolute Address Extension														

Operation	Assembler Syntax
If S{n} = 1 then xxxx → PC else PC + 1 → PC	JSET #n,[X or Y]:ea,xxxx
If S{n} = 1 then xxxx → PC else PC + 1 → PC	JSET #n,[X or Y],aa,xxxx
If S{n} = 1 then xxxx → PC else PC + 1 → PC	JSET #n,[X or Y]:pp,xxxx
If S{n} = 1 then xxxx → PC else PC + 1 → PC	JSET #n,[X or Y]:qq,xxxx
If S{n} = 1 then xxxx → PC else PC + 1 → PC	JSET #n,S,xxxx

### Instruction Fields

{#n}	bbbb	Bit number [0–23]
{ea}	MMRRRR	Effective Address (see <b>Table 12-13</b> on page 12-18)
{X/Y}	S	Memory Space [X,Y] (see <b>Table 12-13</b> on page 12-18)
{xxxx}		24-bit Absolute Address in extension word
{aa}	aaaaaa	Absolute Address [0–63]
{pp}	pppppp	I/O Short Address [64 addresses: \$FFFFC0–\$FFFFFF]
{qq}	qqqqqq	I/O Short Address [64 addresses: \$FFFF80–\$FFFFBF]
{S}	DDDDDD	Source register [all on-chip registers] (see <b>Table 12-13</b> on page 12-18)

**Description** Jump to the 24-bit absolute address in program memory specified in the instruction's 24-bit extension word if the n<sup>th</sup> bit of the source operand S is set. The bit to be tested is selected by an immediate bit number from 0–23. If the specified memory bit is not set, the Program Counter (PC) is incremented, and the absolute address in the extension word is ignored. However, the address register specified in the effective address field is always updated independently of the state of the n<sup>th</sup> bit. All address register indirect addressing modes can be used to reference the source operand S. Absolute short and I/O short addressing modes can also be used.

# JSET

## Jump if Bit Set

# JSET

### Condition Codes

7	6	5	4	3	2	1	0
S	L	E	U	N	Z	V	C
√	√	—	—	—	—	—	—

CCR

- √ Changed according to the standard definition.
- Unchanged by the instruction.

### Instruction Formats and Opcodes

JSET	#n,[X or Y]:ea,xxxx	<table border="1"> <tr> <td>23</td> <td>16 15</td> <td>8 7</td> <td>0</td> </tr> <tr> <td>0 0 0 0 1 0 1 0 0 1</td> <td>M M M R R R</td> <td>1 S 1 0 b b b b</td> <td></td> </tr> <tr> <td colspan="4" style="text-align: center;">Absolute Address Extension</td> </tr> </table>	23	16 15	8 7	0	0 0 0 0 1 0 1 0 0 1	M M M R R R	1 S 1 0 b b b b		Absolute Address Extension			
23	16 15	8 7	0											
0 0 0 0 1 0 1 0 0 1	M M M R R R	1 S 1 0 b b b b												
Absolute Address Extension														
JSET	#n,[X or Y]:aa,xxxx	<table border="1"> <tr> <td>23</td> <td>16 15</td> <td>8 7</td> <td>0</td> </tr> <tr> <td>0 0 0 0 1 0 1 0 0 0</td> <td>a a a a a a</td> <td>1 S 1 0 b b b b</td> <td></td> </tr> <tr> <td colspan="4" style="text-align: center;">Absolute Address Extension</td> </tr> </table>	23	16 15	8 7	0	0 0 0 0 1 0 1 0 0 0	a a a a a a	1 S 1 0 b b b b		Absolute Address Extension			
23	16 15	8 7	0											
0 0 0 0 1 0 1 0 0 0	a a a a a a	1 S 1 0 b b b b												
Absolute Address Extension														
JSET	#n,[X or Y]:pp,xxxx	<table border="1"> <tr> <td>23</td> <td>16 15</td> <td>8 7</td> <td>0</td> </tr> <tr> <td>0 0 0 0 1 0 1 0 1 0</td> <td>p p p p p p</td> <td>1 S 1 0 b b b b</td> <td></td> </tr> <tr> <td colspan="4" style="text-align: center;">Absolute Address Extension</td> </tr> </table>	23	16 15	8 7	0	0 0 0 0 1 0 1 0 1 0	p p p p p p	1 S 1 0 b b b b		Absolute Address Extension			
23	16 15	8 7	0											
0 0 0 0 1 0 1 0 1 0	p p p p p p	1 S 1 0 b b b b												
Absolute Address Extension														
JSET	#n,[X or Y]:qq,xxxx	<table border="1"> <tr> <td>23</td> <td>16 15</td> <td>8 7</td> <td>0</td> </tr> <tr> <td>0 0 0 0 0 0 0 1 1 0</td> <td>q q q q q q</td> <td>1 S 1 0 b b b b</td> <td></td> </tr> <tr> <td colspan="4" style="text-align: center;">Absolute Address Extension</td> </tr> </table>	23	16 15	8 7	0	0 0 0 0 0 0 0 1 1 0	q q q q q q	1 S 1 0 b b b b		Absolute Address Extension			
23	16 15	8 7	0											
0 0 0 0 0 0 0 1 1 0	q q q q q q	1 S 1 0 b b b b												
Absolute Address Extension														
JSET	#n,S,xxxx	<table border="1"> <tr> <td>23</td> <td>16 15</td> <td>8 7</td> <td>0</td> </tr> <tr> <td>0 0 0 0 1 0 1 0 1 1</td> <td>D D D D D D</td> <td>0 0 1 0 b b b b</td> <td></td> </tr> <tr> <td colspan="4" style="text-align: center;">Absolute Address Extension</td> </tr> </table>	23	16 15	8 7	0	0 0 0 0 1 0 1 0 1 1	D D D D D D	0 0 1 0 b b b b		Absolute Address Extension			
23	16 15	8 7	0											
0 0 0 0 1 0 1 0 1 1	D D D D D D	0 0 1 0 b b b b												
Absolute Address Extension														



### Operation

SP + 1 → SP; PC → SSH; SR → SSL; 0xxx → PC

SP + 1 → SP; PC → SSH; SR → SSL; ea → PC

### Assembler Syntax

JSR xxx

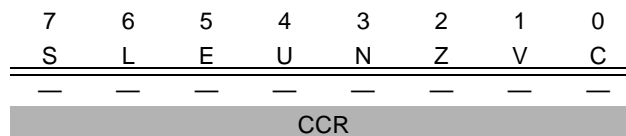
JSR ea

### Instruction Fields

{xxx}	aaaaaaaaaaaa	Short Jump Address
{ea}	MMRRR	Effective Address (see <b>Table 12-13</b> on page 12-18)

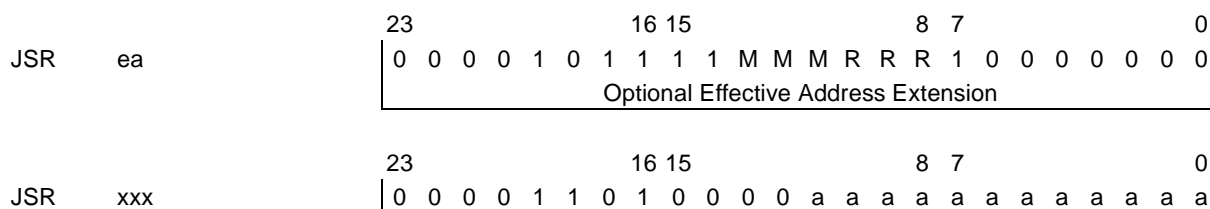
**Description** Jump to the subroutine whose location in program memory is given by the instruction's effective address. The address of the instruction immediately following the JSR instruction (PC) and the system Status Register (SR) is pushed onto the system stack. Program execution then continues at the specified effective address in program memory. All memory-alterable addressing modes can be used for the effective address. A fast short jump addressing mode can also be used. The 12-bit data is zero-extended to form the effective address.

### Condition Codes



— Unchanged by the instruction.

### Instruction Formats and Opcodes



# JSSET

## Jump to Subroutine if Bit Set

# JSSET

Operation	Assembler Syntax
If S{n} = 1 then SP + 1 → SP; PC → SSH; SR → SSL; ;xxxx → PC else PC + 1 → PC	JSSET #n,[X or Y]:ea,xxxx
If S{n} = 1 then SP + 1 → SP; PC → SSH; SR → SSL; ;xxxx → PC else PC + 1 → PC	JSSET #n,[X or Y]:aa,xxxx
If S{n} = 1 then SP + 1 → SP; PC → SSH; SR → SSL; ;xxxx → PC else PC + 1 → PC	JSSET #n,[X or Y]:pp,xxxx
If S{n} = 1 then SP + 1 → SP; PC → SSH; SR → SSL; ;xxxx → PC else PC + 1 → PC	JSSET #n,[X or Y]:qq,xxxx
If S{n} = 1 then SP + 1 → SP; PC → SSH; SR → SSL; ;xxxx → PC else PC + 1 → PC	JSSET #n,S,xxxx

### Instruction Fields

{#n}	bbbb	Bit number [0–23]
{ea}	MMRRRR	Effective Address (see <b>Table 12-13</b> on page 12-18)
{X/Y}	S	Memory Space [X, Y] (see <b>Table 12-13</b> on page 12-18)
{xxxx}		24-bit PC absolute Address extension word
{aa}	aaaaaa	Absolute Address [0–63]
{pp}	pppppp	I/O Short Address [64 addresses: \$FFFFC0–\$FFFFFF]
{qq}	qqqqqq	I/O Short Address [64 addresses: \$FFFF80–\$FFFFBF]
{S}	DDDDDD	Source register [all on-chip registers] (see <b>Table 12-13</b> on page 12-18)

**Description** Jump to the subroutine at the 24-bit absolute address in program memory specified in the instruction's 24-bit extension word if the  $n^{\text{th}}$  bit of the source operand S is set. The bit to be tested is selected by an immediate bit number from 0–23. If the  $n^{\text{th}}$  bit of the source operand S is set, the address of the instruction immediately following the JSSET instruction (PC) and the system Status Register (SR) are pushed onto the system stack. Program execution then continues at the specified absolute address in the instruction's 24-bit extension word. If the specified memory bit is not set, the Program Counter (PC) is incremented, and the extension word is ignored. However, the address register specified in the effective address field is always updated independently of the

state of the  $n^{\text{th}}$  bit. All address register indirect addressing modes can be used to reference the source operand S. Absolute short and I/O short addressing modes can also be used.

### Condition Codes

7	6	5	4	3	2	1	0
S	L	E	U	N	Z	V	C
√	√	—	—	—	—	—	—
CCR							

√ Changed according to the standard definition.

— Unchanged by the instruction.

### Instruction Formats and Opcodes

JSSET	#n,[X or Y]:ea,xxxx	23	16 15	8 7	0
		0 0 0 0 1 0 1 1 0 1	M M M R R R 1	S 1 0 b b b b	
		Absolute Address Extension			
JSSET	#n,[X or Y]:aa,xxxx	23	16 15	8 7	0
		0 0 0 0 1 0 1 1 0 0	a a a a a a 1	S 1 0 b b b b	
		Absolute Address Extension			
JSSET	#n,[X or Y]:pp,xxxx	23	16 15	8 7	0
		0 0 0 0 1 0 1 1 1 0	p p p p p p 1	S 1 0 b b b b	
		Absolute Address Extension			
JSSET	#n,[X or Y]:qq,xxxx	23	16 15	8 7	0
		0 0 0 0 0 0 0 1 1 1	q q q q q q 1	S 1 0 b b b b	
		Absolute Address Extension			
JSSET	#n,S,xxxx	23	16 15	8 7	0
		0 0 0 0 1 0 1 1 1 1	D D D D D D 0 0	1 0 b b b b	
		Absolute Address Extension			

# LRA

## Load PC-Relative Address

# LRA

**Operation**

PC + Rn → D

PC + xxxx → D

**Assembler Syntax**

LRA Rn,D

LRA xxxx,D

**Instruction Fields**

{Rn}	RRR	Address register [R[0–7]]
{D}	dddd	Destination address register [X0,X1,Y0,Y1,A0,B0,A2,B2,A1,B1,A,B,R[0–7],N[0–7]] (see <b>Table 12-16</b> on page 12-20)
{xxxx}		24-bit PC Long Displacement

**Description** The PC is added to the specified displacement and the result is stored in destination D. The displacement is a two's-complement 24-bit integer that represents the relative distance from the current PC to the destination PC. Long Displacement and Address Register PC-Relative addressing modes can be used. Note that if D is SSH, the SP is pre-incremented by one.

**Condition Codes**

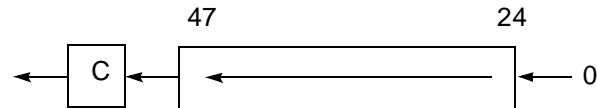
7	6	5	4	3	2	1	0
S	L	E	U	N	Z	V	C
—	—	—	—	—	—	—	—
CCR							

— Unchanged by the instruction.

**Instruction Formats and Opcodes**

LRA	Rn,D	<table style="width: 100%; border-collapse: collapse;"> <tr> <td style="text-align: right; padding-right: 5px;">23</td> <td style="text-align: right; padding-right: 5px;">16 15</td> <td style="text-align: right; padding-right: 5px;">8 7</td> <td style="text-align: right; padding-right: 5px;">0</td> </tr> <tr> <td style="padding-right: 5px;">0</td> <td style="padding-right: 5px;">0 0 0 0 0 1 0 0 1 1 0 0 0</td> <td style="padding-right: 5px;">R R R</td> <td style="padding-right: 5px;">0 0 0 d d d d d</td> </tr> </table>	23	16 15	8 7	0	0	0 0 0 0 0 1 0 0 1 1 0 0 0	R R R	0 0 0 d d d d d				
23	16 15	8 7	0											
0	0 0 0 0 0 1 0 0 1 1 0 0 0	R R R	0 0 0 d d d d d											
LRA	xxxx,D	<table style="width: 100%; border-collapse: collapse;"> <tr> <td style="text-align: right; padding-right: 5px;">23</td> <td style="text-align: right; padding-right: 5px;">16 15</td> <td style="text-align: right; padding-right: 5px;">8 7</td> <td style="text-align: right; padding-right: 5px;">0</td> </tr> <tr> <td style="padding-right: 5px;">0</td> <td style="padding-right: 5px;">0 0 0 0 0 1 0 0 0 1 0 0 0 0 0 0 0 0 1 0</td> <td></td> <td style="padding-right: 5px;">d d d d d</td> </tr> <tr> <td colspan="4" style="text-align: center; padding-top: 5px;">Long Displacement</td> </tr> </table>	23	16 15	8 7	0	0	0 0 0 0 0 1 0 0 0 1 0 0 0 0 0 0 0 0 1 0		d d d d d	Long Displacement			
23	16 15	8 7	0											
0	0 0 0 0 0 1 0 0 0 1 0 0 0 0 0 0 0 0 1 0		d d d d d											
Long Displacement														

## Operation



## Assembler Syntax

LSL D (parallel move)  
 LSL #ii,D  
 LSL S,D

## Instruction Fields

{D}	D	Destination accumulator [A,B] (see <b>Table 12-13</b> on page 12-18)
{S}	sss	Control register [X0,X1,Y0,Y1,A1,B1] (see <b>Table 12-13</b> on page 12-18)
{#ii}	iiii	5-bit unsigned integer [0–16] denoting the shift amount

## Description

- Single-bit shift: Logically shift bits 47–24 of the destination operand D one bit to the left and store the result in the destination accumulator. Prior to instruction execution, bit 47 of D is shifted into the Carry bit (C), and a 0 is shifted into bit 24 of the destination accumulator D.
- Multi-bit shift: The contents of bits 47–24 of the destination accumulator D are shifted left #ii bits. Bits shifted out of position 47 are lost, except for the last bit that is latched in the Carry bit. Zeros are supplied to the vacated positions on the right. The result is placed into bits 47–24 of the destination accumulator D. The number of bits to shift is determined by the 5-bit immediate field in the instruction, or by the unsigned integer located in the control register S. If a zero shift count is specified, the carry bit is cleared.

This is a 24-bit operation. The remaining bits of the destination accumulator are not affected. The number of shifts should not exceed the value of 24.

# LSL

## Logical Shift Left

# LSL

### Condition Codes

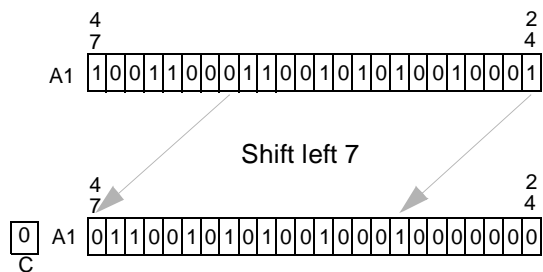
7	6	5	4	3	2	1	0
S	L	E	U	N	Z	V	C
√	√	—	—	*	*	*	*

CCR

- \* N Set if bit 47 of the result is set.
- \* Z Set if bits 47–24 of the result are 0.
- \* V Always cleared.
- \* C Set if the last bit shifted out of the operand is set, cleared for a shift count of 0, and cleared otherwise.
- √ Changed according to the standard definition.
- Unchanged by the instruction.

### Example

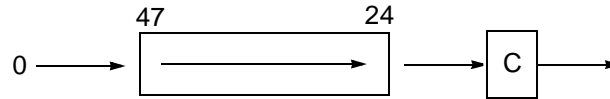
LSL #7, A



### Instruction Formats and Opcodes

LSL	D	23	Data Bus Move Field								8	7	0 0 1 1 D 0 1 1				0		
			Optional Effective Address Extension																
LSL	#i,D	23	0 0 0 0 1 1				16	15	0 0 0 0 1 1				8	7	0 1 0 i i i i i D				0
LSL	S,D	23	0 0 0 0 1 1				16	15	0 0 0 0 1 1				8	7	0 0 0 0 1 s s s D				0

## Operation



## Assembler Syntax

LSR D (parallel move)  
 LSR #ii,D  
 LSR S,D

## Instruction Fields

{D}	D	Destination accumulator [A,B] (see <b>Table 12-13</b> on page 12-18)
{S}	sss	Control register [X0,X1,Y0,Y1,A1,B1] (see <b>Table 12-13</b> on page 12-18)
{#ii}	iiii	5-bit unsigned integer [0–23] denoting the shift amount

## Description

- **Single-bit shift:** Logically shift bits 47–24 of the destination operand D one bit to the right and store the result in the destination accumulator. Prior to instruction execution, bit 24 of D is shifted into the Carry bit (C), and a 0 is shifted into bit 47 of the destination accumulator D.
- **Multi-bit shift:** The contents of bits 47–24 of the destination accumulator D are shifted right #ii bits. Bits shifted out of position 16 are lost except for the last bit that is latched in the C bit. Zeros are supplied to the vacated positions on the left. The result is placed into bits 47–24 of the destination accumulator D. The number of bits to shift is determined by the 5-bit immediate field in the instruction, or by the unsigned integer located in the control register S. If a zero shift count is specified, the C bit is cleared.

This is a 24-bit operation. The remaining bits of the destination register are not affected. The number of shifts should not exceed the value of 24.

# LSR

## Logical Shift Right

# LSR

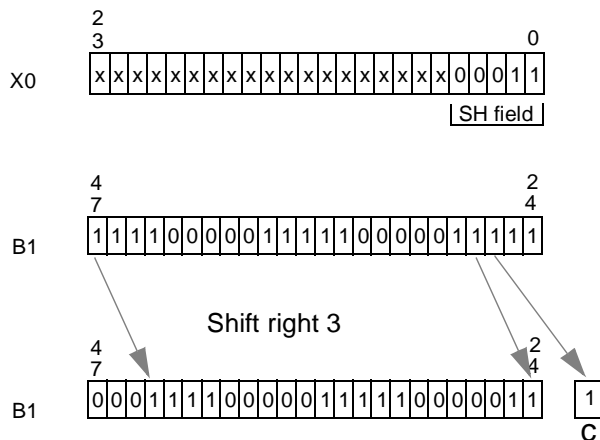
### Condition Codes

7	6	5	4	3	2	1	0
S	L	E	U	N	Z	V	C
√	√	—	—	*	*	*	*
CCR							

- \* N Set if bit 47 of the result is set.
- \* Z Set if bits 47–24 of the result are 0.
- \* V Always cleared.
- \* C Set if the last bit shifted out of the operand is set, cleared for a shift count of zero, and cleared otherwise.
- √ Changed according to the standard definition.
- Unchanged by the instruction.

### Example

LSR X0,B



### Instruction Formats and Opcodes

LSR	D	23	Data Bus Move Field															8	7	0 0 1 0 D 0 1 1				0
		Optional Effective Address Extension																						
LSR	#i,D	23	0 0 0 0 1 1 0 0 0 0 0 1 1 1 1 0 1 1												8	7	i i i i i D				0			
LSR	S,D	23	0 0 0 0 1 1 0 0 0 0 0 1 1 1 1 0 0 0 1 1												8	7	s s s D				0			



Operation	Assembler Syntax
ea → D (No update performed)	LUA ea,D
Rn + aa → D	LUA (Rn + aa),D
ea → D (No update performed)	LEA ea,D
Rn + aa → D	LEA (Rn + aa),D

### Instruction Fields

{ea}	MMRRR	Effective address (see <b>Table 12-13</b> on page 12-18)
{D}	dddd	Destination address register [X0,X1,Y0,Y1,A0,B0,A2,B2,A1,B1,A,B,R[0-7],N[0-7]] (see <b>Table 12-16</b> on page 12-20)
{D}	dddd	Destination address register [R[0-7],N[0-7]] (see <b>Table 12-16</b> on page 12-20)
{aa}	aaaaaa	7-bit sign extended short displacement address
{Rn}	RRR	Source address register [R[0-7]]

**Note:** RRR refers to a source address register (R[0-7]), while dddd/ddddd refers to a destination address register (R[0-7] or N[0-7]).

**Description** Load the updated address into the destination address register D. The source address register and the update mode used to compute the updated address are specified by the effective address (ea). Only the following addressing modes can be used: Post + N, Post – N, Post + 1, Post – 1. Note that the source address register specified in the effective address is not updated. This is the only case where an address register is not updated, although stated otherwise in the effective address mode bits.

### Condition Codes

7	6	5	4	3	2	1	0
S	L	E	U	N	Z	V	C
—	—	—	—	—	—	—	—
CCR							

— Unchanged by the instruction.

# LUA

## Load Updated Address

# LUA

### Instruction Formats and Opcodes

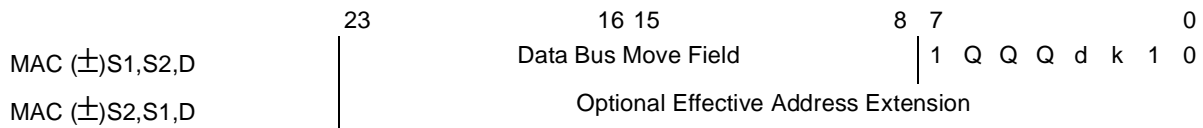
	23	16 15	8 7	0
LUA/LEA ea,D	0 0 0 0 0 1 0 0 0 1 0 M M R R R 0 0 0 d d d d d			

	23	16 15	8 7	0
LUA/LEA (Rn + aa),D	0 0 0 0 0 1 0 0 0 0 a a a R R R a a a a d d d d d			

**Note:** LEA is a synonym for LUA. The simulator on-line disassembly translates the opcodes into LUA.

Operation	Assembler Syntax
$D \pm S1 * S2 \rightarrow D$ (parallel move)	MAC $(\pm)S1,S2,D$ (parallel move)
$D \pm S1 * S2 \rightarrow D$ (parallel move)	MAC $(\pm)S2,S1,D$ (parallel move)
$D \pm (S1 * 2^{-n}) \rightarrow D$ (no parallel move)	MAC $(\pm)S,\#n,D$ (no parallel move)

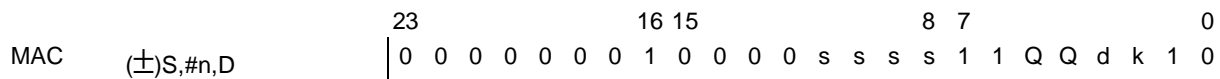
### Instruction Formats and Opcodes 1



### Instruction Fields

{S1,S2}	QQQ	Source registers S1,S2 [X0*X0,Y0*Y0,X1*X0,Y1*Y0,X0*Y1,Y0*X0,X1*Y0,Y1*X1] (see <b>Table 12-16</b> on page 12-20)
{D}	d	Destination accumulator [A,B] (see <b>Table 12-13</b> on page 12-18)
{±}	k	Sign [+,-] (see <b>Table 12-16</b> on page 12-20)

### Instruction Formats and Opcodes 2



### Instruction Fields

{S}	QQ	Source register [Y1,X0,Y0,X1] (see <b>Table 12-16</b> on page 12-20)
{D}	d	Destination accumulator [A,B] (see <b>Table 12-13</b> on page 12-18)
{±}	k	Sign [+,-] (see <b>Table 12-16</b> on page 12-20)
{#n}	ssss	Immediate operand (see <b>Table 12-16</b> on page 12-20)

**Description** Multiply the two signed 24-bit source operands S1 and S2 (or the signed 24-bit source operand S by the positive 24-bit immediate operand  $2^{-n}$ ) and add/subtract the product to/from the specified 56-bit destination accumulator D. The “-” sign option is used to negate the specified product prior to accumulation. The default sign option is “+”.

# MAC

## Signed Multiply Accumulate

# MAC

Note that when the processor is in the Double Precision Multiply mode, the following instructions do not execute in the normal way and should only be used as part of the double precision multiply algorithm:

MAC X1,Y0,AMAC X1,Y0,B

MAC X0,Y1,AMAC X0,Y1,B

MAC Y1,X1,AMAC Y1,X1,B

### Condition Codes

7	6	5	4	3	2	1	0
S	L	E	U	N	Z	V	C
√	√	√	√	√	√	√	—
CCR							

- √ Changed according to the standard definition.
- Unchanged by the instruction.

## Signed Multiply Accumulate With Immediate Operand

### Operation

$D \pm \#xxxx * S \rightarrow D$

### Assembler Syntax

MACI ( $\pm$ )#xxxx,S,D

### Instruction Fields

{S}	qq	Source register [X0,Y0,X1,Y1] (see <b>Table 12-16</b> on page 12-20)
{D}	d	Destination accumulator [A,B] (see <b>Table 12-13</b> on page 12-18)
{ $\pm$ }	k	Sign [+,-] (see <b>Table 12-16</b> on page 12-20)
#xxxxxx		24-bit Immediate Long Data extension word

**Description** Multiply the two signed 24-bit source operands #xxxx and S and add/subtract the product to/from the specified 56-bit destination accumulator D. The “-” sign option is used to negate the specified product prior to accumulation. The default sign option is “+”.

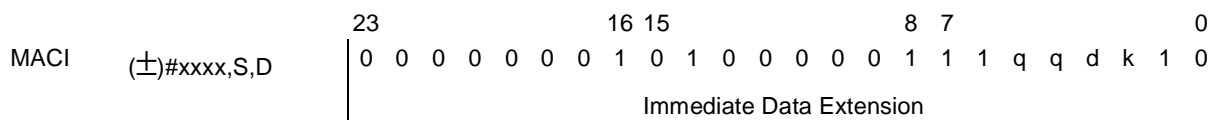
### Condition Codes

7	6	5	4	3	2	1	0
S	L	E	U	N	Z	V	C
—	√	√	√	√	√	√	—
CCR							

√ Changed according to the standard definition.

— Unchanged by the instruction.

### Instruction Formats and Opcodes



# MAC(su,uu)

# MAC(su,uu)

## Mixed Multiply Accumulate

**Operation** $D \pm S1 * S2 \rightarrow D$  (S1 unsigned, S2 unsigned) $D \pm S1 * S2 \rightarrow D$  (S1 signed, S2 unsigned)**Assembler Syntax**MAC<sub>uu</sub> ( $\pm$ )S1,S2,D (no parallel move)MAC<sub>su</sub> ( $\pm$ )S2,S1,D (no parallel move)**Instruction Fields**

{S1,S2}	QQQQ	Source registers S1,S2 [all combinations of X0,X1,Y0 and Y1] (see <b>Table 12-16</b> on page 12-20)
{D}	d	Destination accumulator [A,B] (see <b>Table 12-13</b> on page 12-18)
{ $\pm$ }	k	Sign [+,-] (see <b>Table 12-16</b> on page 12-20)
{s}		[ss,us] (see <b>Table 12-16</b> on page 12-20)

**Description** Multiply the two 24-bit source operands S1 and S2 and add/subtract the product to/from the specified 56-bit destination accumulator D. One or two of the source operands can be unsigned. The “-” sign option is used to negate the specified product prior to accumulation. The default sign option is “+”.

**Condition Codes**

7	6	5	4	3	2	1	0
S	L	E	U	N	Z	V	C
—	√	√	√	√	√	√	—
CCR							

√ Changed according to the standard definition.

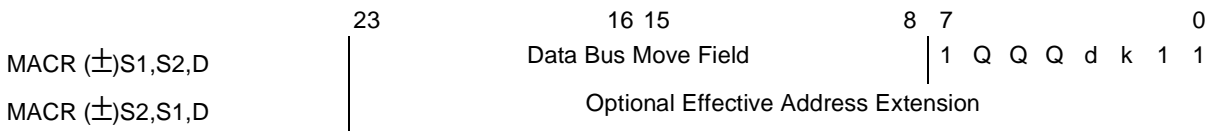
— Unchanged by the instruction.

**Instruction Formats and Opcodes**

MAC <sub>su</sub> ( $\pm$ )S1,S2,D	23	16 15	8 7	0																				
MAC <sub>uu</sub> ( $\pm$ )S1,S2,D	0	0	0	0	0	0	0	1	0	0	1	0	0	1	1	0	1	s	d	k	Q	Q	Q	Q

Operation	Assembler Syntax
$D \pm S1 * S2 + r \rightarrow D$ (parallel move)	MACR $(\pm)S1,S2,D$ (parallel move)
$D \pm S1 * S2 + r \rightarrow D$ (parallel move)	MACR $(\pm)S2,S1,D$ (parallel move)
$D \pm (S1 * 2^{-n}) + r \rightarrow D$ (no parallel move)	MACR $(\pm)S,\#n,D$ (no parallel move)

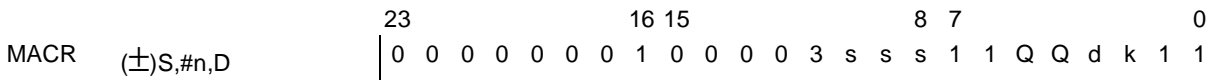
### Instruction Formats and Opcodes 1



### Instruction Fields

{S1,S2}	QQQ	Source registers S1,S2 [X0*X0,Y0*Y0,X1*X0,Y1*Y0,X0*Y1,Y0*X0,X1*Y0,Y1*X1] (see <b>Table 12-16</b> on page 12-20)
{D}	d	Destination accumulator [A,B] (see <b>Table 12-13</b> on page 12-18)
{±}	k	Sign [+,-] (see <b>Table 12-16</b> on page 12-20)

### Instruction Formats and Opcodes 2



### Instruction Fields

{S}	QQ	Source register [Y1,X0,Y0,X1] (see <b>Table 12-16</b> on page 12-20)
{D}	d	Destination accumulator [A,B] (see <b>Table 12-13</b> on page 12-18)
{±}	k	Sign [+,-] (see <b>Table 12-16</b> on page 12-20)
{#n}	ssss	Immediate operand (see <b>Table 12-16</b> on page 12-20)

**Description** Multiply the two signed 24-bit source operands S1 and S2 (or the signed 24-bit source operand S by the positive 24-bit immediate operand  $2^{-n}$ ), add/subtract the product to/from the specified 56-bit destination accumulator D, and round the result using either convergent or two's-complement rounding. The rounded result is stored in destination accumulator D. The “-” sign option negates the specified product prior to accumulation. The default sign option is “+.” The LSB of the result is rounded into the upper portion of the destination accumulator. Once rounding is complete, the LSBs of

# MACR Signed Multiply Accumulate and Round

# MACR

destination accumulator D are loaded with zeros to maintain an unbiased accumulator value that the next instruction can reuse. The upper portion of the accumulator contains the rounded result that can be read out to the data buses. Refer to the RND instruction for details on the rounding process.

## Condition Codes

7	6	5	4	3	2	1	0
S	L	E	U	N	Z	V	C
√	√	√	√	√	√	√	—

CCR

- √ Changed according to the standard definition.
- Unchanged by the instruction.



## Signed MAC and Round With Immediate Operand

Operation	Assembler Syntax
$D \pm \#xxxxx * S \rightarrow D$	MACRI $(\pm)\#xxxxx,S,D$

### Instruction Fields

{S}	qq	Source register [X0,Y0,X1,Y1] (see <b>Table 12-16</b> on page 12-20)
{D}	d	Destination accumulator [A,B] (see <b>Table 12-13</b> on page 12-18)
{±}	k	Sign [+,-] (see <b>Table 12-16</b> on page 12-20)
#xxxx		24-bit Immediate Long Data extension word

**Description** Multiply the two signed 24-bit source operands #xxxx and S, add/subtract the product to/from the specified 56-bit destination accumulator D, and then round the result using either convergent or two's-complement rounding. The rounded result is stored in the destination accumulator D. The “-” sign option negates the specified product prior to accumulation. The default sign option is “+”. The contribution of the LSBs of the result is rounded into the upper portion of the destination accumulator. Once rounding is complete, the LSBs of the destination accumulator D are loaded with 0s to maintain an unbiased accumulator value that the next instruction can reuse. The upper portion of the accumulator contains the rounded result that can be read out to the data buses. Refer to the RND instruction for details on the rounding process.

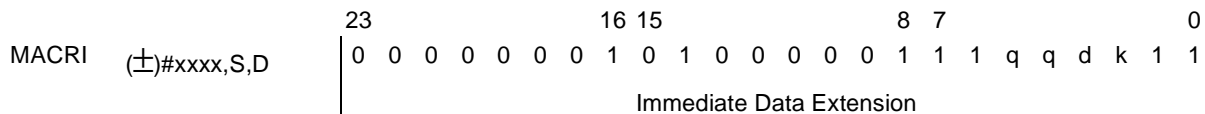
### Condition Codes

7	6	5	4	3	2	1	0
S	L	E	U	N	Z	V	C
—	√	√	√	√	√	√	—
CCR							

√ Changed according to the standard definition.

— Unchanged by the instruction.

### Instruction Formats and Opcodes



# MAX

## Transfer by Signed Value

# MAX

**Operation**

If  $B - A \leq 0$  then  $A \rightarrow B$

**Assembler Syntax**

MAX A,B (parallel move)

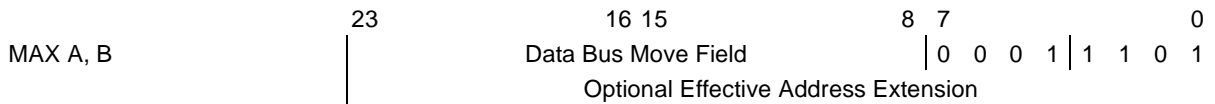
**Description** Subtract the signed value of the source accumulator from the signed value of the destination accumulator. If the difference is negative or 0, ( $A \geq B$ ) then transfer the source accumulator to destination accumulator. Otherwise, do not change the destination accumulator. This is a 56-bit operation. Notice that the Carry (C) bit signifies a transfer has been performed.

**Condition Codes**

7	6	5	4	3	2	1	0
S	L	E	U	N	Z	V	C
√	√	—	—	—	—	—	*
CCR							

- \* C Cleared if the conditional transfer is performed, and set otherwise.
- √ Changed according to the standard definition.
- Unchanged by the instruction.

**Instruction Formats and Opcodes**



**Operation**

If  $|B| - |A| \leq 0$  then  $A \rightarrow B$

**Assembler Syntax**

MAXM A,B (parallel move)

**Description** Subtract the absolute value (magnitude) of the source accumulator from the absolute value of the destination accumulator. If the difference is negative or 0 ( $|A| \geq |B|$ ), then transfer the source accumulator to the destination accumulator. Otherwise, do not change the destination accumulator. This is a 56-bit operation. Notice that the Carry bit (C) signifies a transfer has been performed.

**Condition Codes**

7	6	5	4	3	2	1	0
S	L	E	U	N	Z	V	C
√	√	—	—	—	—	—	*
CCR							

- \* C Cleared if the conditional transfer is performed, and set otherwise.
- √ Changed according to the standard definition.
- Unchanged by the instruction.

**Instruction Formats and Opcodes**

MAXM A, B	23	16 15	8 7	0
	Data Bus Move Field		0 0 0 1	0 1 0 1
	Optional Effective Address Extension			

# MERGE

## Merge Two Half Words

# MERGE

**Operation** $\{S[7-0], D[35-24]\} \rightarrow D[47-24]$ **Assembler Syntax**

MERGE S,D

**Instruction Fields**

{D}	D	Destination accumulator [A,B] (see <b>Table 12-13</b> on page 12-18)
{S}	SSS	Source register [X0,X1,Y0,Y1,A1,B1] (see <b>Table 12-16</b> on page 12-20)

**Description** The contents of bits 11–0 of the source register are concatenated to the contents of bits 35–24 of the destination accumulator. The result is stored in the destination accumulator. This instruction is a 24-bit operation. The remaining bits of the destination accumulator D are not affected.

**Note:**

1. MERGE can be used in conjunction with EXTRACT or INSERT instructions to concatenate width and offset fields into a control word.
2. In Sixteen-bit Arithmetic mode, the contents of bits 15–8 of the source register are concatenated with the contents of bits 39–32 of the destination accumulator. The result is placed in bits 47–32 of the destination accumulator.

**Condition Codes**

7	6	5	4	3	2	1	0
S	L	E	U	N	Z	V	C
—	—	—	—	*	*	*	—
CCR							

- \* N Set if bit 47 of the result is set.
- \* Z Set if bits 47–24 of the result are 0.
- \* V Always cleared.
- Unchanged by the instruction.

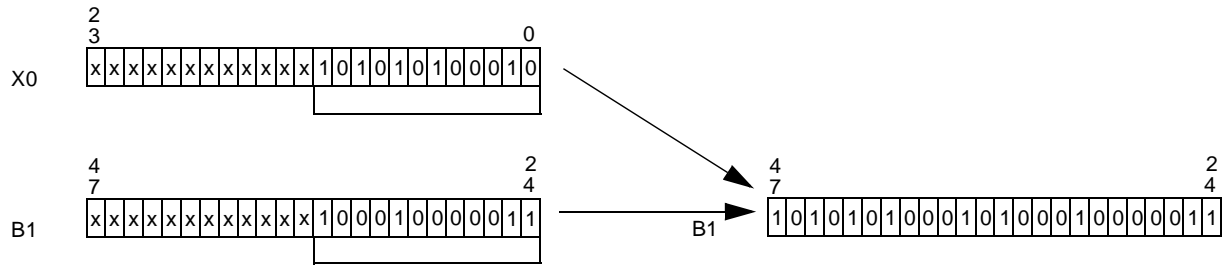
# MERGE

## Merge Two Half Words

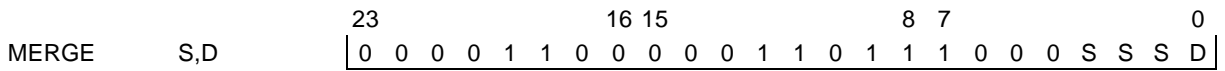
# MERGE

### Example

MERGE X0,B



### Instruction Formats and Opcodes



The DSP56300 (family) core provides a set of MOVE instructions. **Table 2** lists these instructions, which are fully described in the following pages.

**Table 13-2.** Move Instructions

<b>Instruction</b>	<b>Description</b>	<b>Page</b>
MOVE	Move Data	<b>page 13-111</b>
	No Parallel Data Move	<b>page 13-112</b>
I	Immediate Short Data Move	<b>page 13-113</b>
R	Register-to-Register Data Move	<b>page 13-115</b>
U	Address Register Update	<b>page 13-117</b>
X:	X Memory Data Move	<b>page 13-118</b>
X:R	X Memory and Register Data Move	<b>page 13-120</b>
Y	Y Memory Data Move	<b>page 13-122</b>
R:Y	Register and Y Memory Data Move	<b>page 13-124</b>
L:	Long Memory Data Move	<b>page 13-126</b>
X:Y:	X Y Memory Data Move	<b>page 13-128</b>

# MOVE

## Move Data

# MOVE

### Operation

S → D

### Assembler Syntax

MOVE S,D

**Description** Move the contents of the specified data source S to the specified destination D. This instruction is equivalent to a Data ALU NOP with a parallel data move.

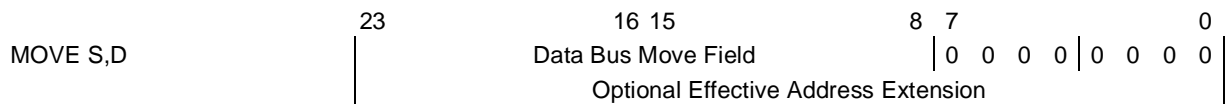
### Condition Codes

7	6	5	4	3	2	1	0
S	L	E	U	N	Z	V	C
√	√	—	—	—	—	—	—
CCR							

√ Changed according to the standard definition.

— Unchanged by the instruction.

### Instruction Formats and Opcodes



### Instruction Fields None

**Parallel Move Description** Thirty of the sixty-two instructions allow an optional parallel data bus movement over the X and/or Y data bus. This allows a Data ALU operation to be executed in parallel with up to two data bus moves during the instruction cycle. Ten types of parallel moves are permitted, including register-to-register moves, register-to-memory moves, and memory-to-register moves. However, not all addressing modes are allowed for each type of memory reference. The following section contains detailed descriptions about each type of parallel move operation.

## No Parallel Data Move

**Operation**

(...)

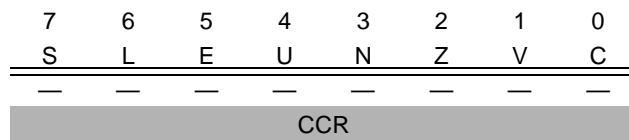
**Assembler Syntax**

(...)

where ( . . . ) refers to any arithmetic or logical instruction that allows parallel moves

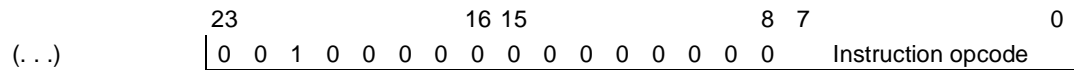
**Description** Many instructions in the instruction set allow parallel moves. The parallel moves have been divided into ten opcode categories. This category is a parallel move NOP and does not involve data bus move activity.

**Condition Codes**



— Unchanged by the instruction.

**Instruction Formats and Opcodes**



**Instruction Format** (defined by instruction)



## Immediate Short Data Move

### Operation

( . . . ), #xx → D

### Assembler Syntax

( . . . ) #xx,D

where ( . . . ) refers to any arithmetic or logical instruction that allows parallel moves

### Instruction Fields

{#xx}	iiiiiii	8-bit Immediate Short Data
{D}	dddd	Destination register [X0,X1,Y0,Y1,A0,B0,A2,B2,A1,B1,A,B,R[0 – 7],N[0–7]] (see <b>Table 12-13</b> on page 12-18)

**Description** Move the 8-bit immediate data value (#xx) into the destination operand D. If the destination register D is A0, A1, A2, B0, B1, B2, R[0–7], or N[0–7], the 8-bit immediate short operand is interpreted as an *unsigned integer* and is stored in the specified destination register. That is, the 8-bit data is stored in the eight LSBs of the destination operand and the remaining bits of the destination operand D are zeroed. If the destination register D is X0, X1, Y0, Y1, A, or B, the 8-bit immediate short operand is interpreted as a *signed fraction* and is stored in the specified destination register. That is, the 8-bit data is stored in the eight MSBs of the destination operand and the remaining bits of the destination operand D are zeroed.

If the arithmetic or logical opcode-operand portion of the instruction specifies a given destination accumulator, that same accumulator or portion of that accumulator cannot be specified as a destination D in the parallel data bus move operation. Thus, if the opcode-operand portion of the instruction specifies the 56-bit A accumulator as its destination, the parallel data bus move portion of the instruction cannot specify A0, A1, A2, or A as its destination D. Similarly, if the opcode-operand portion of the instruction specifies the 56-bit B accumulator as its destination, the parallel data bus move portion of the instruction cannot specify B0, B1, B2, or B as its destination D. That is, duplicate destinations are *not* allowed within the same instruction.

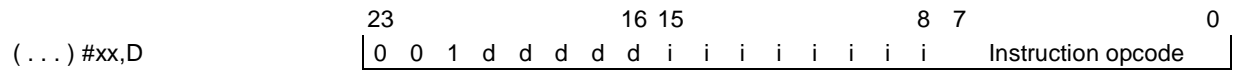
### Condition Codes

7	6	5	4	3	2	1	0
S	L	E	U	N	Z	V	C
—	—	—	—	—	—	—	—
CCR							

— Unchanged by the instruction.

## Immediate Short Data Move

### Instruction Formats and Opcodes



Operation	Assembler Syntax
(...); S → D	(...) S,D

where ( . . . ) refers to any arithmetic or logical instruction that allows parallel moves.

#### Instruction Fields

{S}	eeeeee	Source register [X0,X1,Y0,Y1,A0,B0,A2,B2,A1,B1,A,B,R[0–7], N[0 – 7] (see <b>Table 12-16</b> on page 12-20)
{D}	dddddd	Destination register [X0,X1,Y0,Y1,A0,B0,A2,B2,A1,B1,A,B, R[0 – 7],N[0–7]] (see <b>Table 12-13</b> on page 12-18)

**Description** Move the source register S to the destination register D. If the arithmetic or logical opcode-operand portion of the instruction specifies a given destination accumulator, that same accumulator or portion of that accumulator cannot be specified as a destination D in the parallel data bus move operation. Thus, if the opcode-operand portion of the instruction specifies the 56-bit A accumulator as its destination, the parallel data bus move portion of the instruction cannot specify A0, A1, A2, or A as its destination D. Similarly, if the opcode-operand portion of the instruction specifies the 56-bit B accumulator as its destination, the parallel data bus move portion of the instruction cannot specify B0, B1, B2, or B as its destination D. That is, duplicate destinations are *not* allowed within the same instruction.

If the opcode-operand portion of the instruction specifies a given source or destination register, that same register or portion of that register can be used as a source S in the parallel data bus move operation. This allows data to be moved in the same instruction in which a Data ALU operation is using it as a source operand. That is, duplicate sources are allowed within the same instruction. Note that the MOVE A,B operation results in a 24-bit positive or negative saturation constant being stored in the B1 portion of the B accumulator if the signed integer portion of the A accumulator is in use.

# R

## Register-to-Register Data Move

# R

### Condition Codes

7	6	5	4	3	2	1	0
S	L	E	U	N	Z	V	C
√	√	—	—	—	—	—	—

CCR

√ Changed according to the standard definition.

— Unchanged by the instruction.

### Instruction Formats and Opcodes

( . . . ) S,D	23	16 15	8 7	0
	0	0 1 0 0 0 0	e e e e e	d d d d d
	Instruction opcode			

**Operation**

(...); ea → Rn

**Assembler Syntax**

(...) ea

where (...) refers to any arithmetic or logical instruction that allows parallel moves

**Instruction Fields**

{ea}      MMRRR      Effective Address (see **Table 12-13** on page 12-18)

**Description** Update the specified address register according to the specified effective addressing mode. All update addressing modes can be used.

**Condition Codes**

7	6	5	4	3	2	1	0
S	L	E	U	N	Z	V	C
—	—	—	—	—	—	—	—
CCR							

—      Unchanged by the instruction.

**Instruction Formats and Opcodes**

(...)	ea	23	16	15	8	7	0
		0	0	1	0	0	0
		0	0	0	0	1	0
		M	M	R	R	R	R
		Instruction opcode					

**X:**

## X Memory Data Move

**X:**

Operation	Assembler Syntax
(...); X:ea → D	(...) X:ea,D
(...); X:aa → D	(...) X:aa,D
(...); S → X:ea	(...) S,X:ea
(...); S → X:aa	(...) S,X:aa
X:(Rn + xxx) → D	MOVE X:(Rn + xxx),D
X:(Rn + xxxx) → D	MOVE X:(Rn + xxxx),D
D → X:(Rn + xxx)	MOVE D,X:(Rn + xxx)
D → X:(Rn + xxxx)	MOVE D,X:(Rn + xxxx)

where (...) refers to any arithmetic or logical instruction that allows parallel moves.

### Instruction Formats and Opcodes 1

(...) X:ea,D	23	16 15	8 7	0
(...) S,X:ea	0	1 d d 0 d d d W 1 M M M R R R	Instruction opcode	
(...) #xxxxxx,D	Optional Effective Address Extension			
(...) X:aa,D	23	16 15	8 7	0
(...) S,X:aa	0	1 d d 0 d d d W 0 a a a a a a	Instruction opcode	

### Instruction Fields

{ea}	MMMRRR	Effective Address (see <b>Table 12-13</b> on page 12-18)
	W	Read S / Write D bit (see <b>Table 12-16</b> on page 12-20)
{S,D}	dddddd	Source/Destination registers [X0,X1,Y0,Y1,A0,B0,A2,B2,A1,B1,A,B,R[0-7],N[0-7]] (see <b>Table 12-13</b> on page 12-18)
{aa}	aaaaaa	6-bit Absolute Short Address

### Instruction Formats and Opcodes 2

MOVE X:(Rn + xxxx),D	23	16 15	8 7	0
MOVE S,X:(Rn + xxxx)	0	0 0 0 0 1 0 1 0 0 1 1 1 0 R R R 1 W D D D D D D	Rn Relative Displacement	
MOVE X:(Rn + xxx),D	23	16 15	8 7	0
MOVE S,X:(Rn + xxx)	0	0 0 0 0 0 0 1 a a a a a a R R R 1 a 0 W D D D D D		

## Instruction Fields

	<b>W</b>	Read S / Write D bit (see <b>Table 12-16</b> on page 12-20)
{xxx}	<b>aaaaaaa</b>	7-bit sign extended Short Displacement Address
{Rn}	<b>RRR</b>	Address register (R[0–7])
{D}	<b>DDDD</b>	Source/Destination registers [X0,X1,Y0,Y1,A0,B0,A2,B2,A1,B1,A,B] (see <b>Table 12-16</b> on page 12-20)
{S,D}	<b>DDDDDD</b>	Source/Destination registers [all on-chip registers] (see <b>Table 12-13</b> on page 12-18)

**Description** Move the specified word operand from/to X memory. All memory addressing modes can be used, including absolute addressing and 24-bit immediate data. Absolute short addressing can also be used. If the arithmetic or logical opcode-operand portion of the instruction specifies a given destination accumulator, that same accumulator or portion of that accumulator cannot be specified as a destination D in the parallel data bus move operation. Thus, if the opcode-operand portion of the instruction specifies the 56-bit A accumulator as its destination, the parallel data bus move portion of the instruction cannot specify A0, A1, A2, or A as its destination D. Similarly, if the opcode-operand portion of the instruction specifies the 56-bit B accumulator as its destination, the parallel data bus move portion of the instruction cannot specify B0, B1, B2, or B as its destination D. That is, duplicate destinations are *not* allowed within the same instruction.

If the opcode-operand portion of the instruction specifies a given source or destination register, that same register or portion of that register can be used as a source S in the parallel data bus move operation. This allows data to be moved in the same instruction in which it is being used as a source operand by a Data ALU operation. That is, duplicate sources are allowed within the same instruction. As a result of the MOVE A,X:ea operation, a 24-bit positive or negative saturation constant is stored in the specified 24-bit X memory location if the signed integer portion of the A accumulator is in use.

## Condition Codes

7	6	5	4	3	2	1	0
S	L	E	U	N	Z	V	C
√	√	—	—	—	—	—	—
CCR							

- √ Changed according to the standard definition.  
 — Unchanged by the instruction.

## Operation

## Assembler Syntax

## Class I

(...); X:ea → D1; S2 → D2

(...) X:ea,D1 S2,D2

(...); S1 → X:ea; S2 → D2

(...) S1,X:ea S2,D2

(...); #xxxxxx → D1; S2 → D2

(...) #xxxxxx,D1 S2,D2

## Class II

(...); A → X:ea; X0 → A

(...) A,X:ea X0,A

(...); B → X:ea; X0 → B

(...) B,X:ea X0,B

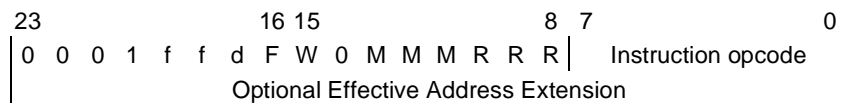
where (...) refers to any arithmetic or logical instruction that allows parallel moves

## Class I Instruction Formats and Opcodes

(...) X:ea,D1 S2,D2

(...) S1,X:ea S2, D2

(...) #xxxx,D1 S2,D2



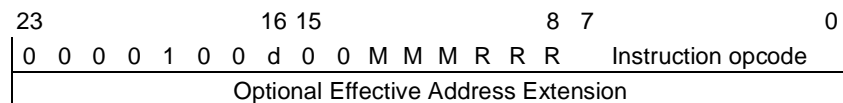
## Instruction Fields

{ea}	MMMR	Effective Address (see <b>Table 12-13</b> on page 12-18)
	W	Read S1/Write D1 bit (see <b>Table 12-16</b> on page 12-20)
{S1,D1}	ff	S1/D1 register [X0,X1,A,B] (see <b>Table 12-16</b> on page 12-20)
{S2}	d	S2 accumulator [A,B] (see <b>Table 12-13</b> on page 12-18)
{D2}	F	D2 input register [Y0,Y1] (see <b>Table 12-16</b> on page 12-20)

## Class II Instruction Formats and Opcodes

(...) A → X:ea X0 → A

(...) B → X:ea X0 → B



## Instruction Fields

{ea}	MMMR	Effective Address (see <b>Table 12-13</b> on page 12-18)
	d	Move opcode (see <b>Table 12-16</b> on page 12-20)



**Description**

- Class I: Move a one-word operand from/to X memory and move another word operand from an accumulator (S2) to an input register (D2). All memory addressing modes, including absolute addressing and 24-bit immediate data, can be used. The register-to-register move (S2,D2) allows a Data ALU accumulator to be moved to a Data ALU input register for use as a Data ALU operand in the following instruction.
- Class II: Move one-word operand from a Data ALU accumulator to X memory and one-word operand from Data ALU register X0 to a Data ALU accumulator. One effective address is specified. All memory addressing modes except long absolute addressing and long immediate data can be used.

For both Class I and Class II X:R parallel data moves, if the arithmetic or logical opcode-operand portion of the instruction specifies a given destination accumulator, that same accumulator or portion of that accumulator cannot be specified as a destination D1 in the parallel data bus move operation. Thus, if the opcode-operand portion of the instruction specifies the 40-bit A accumulator as its destination, the parallel data bus move portion of the instruction cannot specify A0, A1, A2, or A as its destination D1. Similarly, if the opcode-operand portion of the instruction specifies the 56-bit B accumulator as its destination, the parallel data bus move portion of the instruction cannot specify B0, B1, B2, or B as its destination D1. That is, duplicate destinations are *not* allowed within the same instruction. If the opcode-operand portion of the instruction specifies a given source or destination register, that same register or portion of that register can be used as a source S1 and/or S2 in the parallel data bus move operation. This allows data to be moved in the same instruction in which a Data ALU operation is using it as a source operand. That is, duplicate sources are allowed within the same instruction—S1 and S2 can specify the same register.

**Condition Codes**

7	6	5	4	3	2	1	0
S	L	E	U	N	Z	V	C
√	√	—	—	—	—	—	—
CCR							

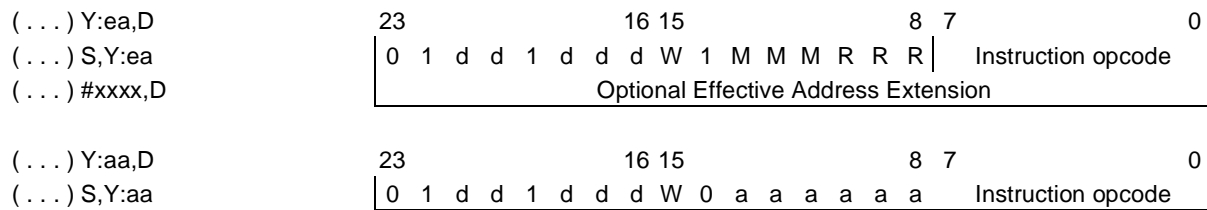
√ Changed according to the standard definition.

— Unchanged by the instruction.

Operation	Assembler Syntax
(...); Y:ea → D	(...) Y:ea,D
(...); Y:aa → D	(...) Y:aa,D
(...); S → Y:ea	(...) S,Y:ea
(...); S → Y:aa	(...) S,Y:aa
Y:(Rn + xxx) → D	MOVE Y:(Rn + xxx),D
Y:(Rn + xxxx) → D	MOVE Y:(Rn + xxxx),D
D → Y:(Rn + xxx)	MOVE D,Y:(Rn + xxx)
D → Y:(Rn + xxxx)	MOVE D,Y:(Rn + xxxx)

where (...) refers to any arithmetic or logical instruction that allows parallel moves

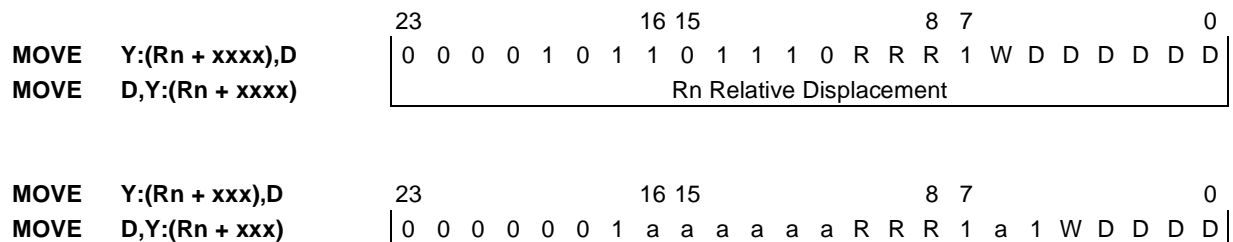
**Instruction Formats and Opcodes 1**



**Instruction Fields**

{ea}	MMMRRR	Effective Address (see <b>Table 12-13</b> on page 12-18)
	W	Read S/Write D bit (see <b>Table 12-16</b> on page 12-20)
{S,D}	dddd	Source/Destination registers [X0,X1,Y0,Y1,A0,B0,A2,B2,A1,B1,A,B,R[0-7],N[0-7]] (see <b>Table 12-13</b> on page 12-18)
{aa}	aaaaaa	Absolute Short Address

**Instruction Formats and Opcodes 2**



## Instruction Fields

	W	Read S/Write D bit (see <b>Table 12-16</b> on page 12-20)
{xxx}	aaaaaaa	7-bit sign extended Short Displacement Address
{Rn}	RRR	Address register (R[0–7])
{D}	DDDD	Source/Destination registers [X0,X1,Y0,Y1,A0,B0,A2,B2,A1,B1,A,B] (see <b>Table 12-16</b> on page 12-20)
{S,D}	DDDDDD	Source/Destination registers [all on-chip registers] (see <b>Table 12-13</b> on page 12-18)

**Description** Move the specified word operand from/to Y memory. All memory addressing modes can be used, including absolute addressing, absolute short addressing, and 24-bit immediate data. If the arithmetic or logical opcode-operand portion of the instruction specifies a given destination accumulator, that same accumulator or portion of that accumulator cannot be specified as a destination D in the parallel data bus move operation. Thus, if the opcode-operand portion of the instruction specifies the 56-bit A accumulator as its destination, the parallel data bus move portion of the instruction cannot specify A0, A1, A2, or A as its destination D. Similarly, if the opcode-operand portion of the instruction specifies the 56-bit B accumulator as its destination, the parallel data bus move portion of the instruction cannot specify B0, B1, B2, or B as its destination D. That is, duplicate destinations are *not* allowed within the same instruction. If the opcode-operand portion of the instruction specifies a given source or destination register, that same register or portion of that register can be used as a source S in the parallel data bus move operation. This allows data to be moved in the same instruction in which a Data ALU operation is using it as a source operand. That is, duplicate sources are allowed within the same instruction. As a result of the MOVE A,Y:ea operation, a 24-bit positive or negative saturation constant is stored in the specified 24-bit Y memory location if the signed integer portion of the A accumulator is in use.

## Condition Codes

7	6	5	4	3	2	1	0
S	L	E	U	N	Z	V	C
√	√	—	—	—	—	—	—
CCR							

√ Changed according to the standard definition.

— Unchanged by the instruction.

Operation	Assembler Syntax
Class I	
(...); S1 → D1; Y:ea → D2	(...) S1,D1 Y:ea,D2
(...); S1 → D1; S2 → Y:ea	(...) S1,D1 S2,Y:ea
(...); S1 → D1; #xxxxxx → D2	(...) S1,D1 #xxxxxx,D2
Class II	
(...); Y0 → A; A → Y:ea	(...) Y0,A A,Y:ea
(...); Y0 → B; B → Y:ea	(...) Y0,B B,Y:ea

where (...) refers to any arithmetic or logical instruction that allows parallel moves

### Class I Instruction Formats and Opcodes

(...) S1,D1 Y:ea,D2	23	16 15	8 7	0
(...) S1,D1 S2,Y:ea	0	0 0 0 1	d e f f	W 1 M M M R R R
(...) S1,D1 #xxxx,D2	Optional Effective Address Extension			
	Instruction opcode			

### Instruction Fields

{ea}	MMRRR	Effective Address (see <b>Table 12-13</b> on page 12-18)
	W	Read S2/Write D2 bit (see <b>Table 12-16</b> on page 12-20)
{S1}	d	S1 accumulator [A,B] (see <b>Table 12-16</b> on page 12-20)
{D1}	e	D1 input register [X0,X1] (see <b>Table 12-16</b> on page 12-20)
{S2,D2}	ff	S2/D2 register [Y0,Y1,A,B] (see <b>Table 12-16</b> on page 12-20)

### Class II Instruction Formats and Opcodes

(...) Y0 → A A → Y:ea	23	16 15	8 7	0
(...) Y0 → B B → Y:ea	0	0 0 0 0	1 0 0	d 1 0 M M M R R R
	Optional Effective Address Extension			
	Instruction opcode			

### Instruction Fields

MMRRR	ea = 6-bit Effective Address (see <b>Table 12-13</b> on page 12-18)
d	Move opcode (see <b>Table 12-16</b> on page 12-20)

**Description**

- Class I: Move a one-word operand from an accumulator (S1) to an input register (D1) and move another word operand from/to Y memory. All memory addressing modes, including absolute addressing and 16-bit immediate data, can be used. The register to register move (S1,D1) allows a Data ALU accumulator to be moved to a Data ALU input register for use as a Data ALU operand in the following instruction.
- Class II: Move a one-word operand from a Data ALU accumulator to Y memory and a one-word operand from Data ALU register Y0 to a Data ALU accumulator. One effective address is specified. All memory addressing modes, excluding long absolute addressing and long immediate data, can be used.

For both Class I and Class II R:Y parallel data moves, if the arithmetic or logical opcode-operand portion of the instruction specifies a given destination accumulator, that same accumulator or portion of that accumulator cannot be specified as a destination D2 in the parallel data bus move operation. Thus, if the opcode-operand portion of the instruction specifies the 56-bit A accumulator as its destination, the parallel data bus move portion of the instruction cannot specify A0, A1, A2, or A as its destination D2. Similarly, if the opcode-operand portion of the instruction specifies the 56-bit B accumulator as its destination, the parallel data bus move portion of the instruction cannot specify B0, B1, B2, or B as its destination D2. That is, duplicate destinations are *not* allowed within the same instruction. If the opcode-operand portion of the instruction specifies a given source or destination register, that same register or portion of that register can be used as a source S1 and/or S2 in the parallel data bus move operation. This allows data to be moved in the same instruction in which it is being used as a source operand by a Data ALU operation. That is, duplicate sources are allowed within the same instruction. Note that S1 and S2 can specify the same register.

**Condition Codes**

7	6	5	4	3	2	1	0
S	L	E	U	N	Z	V	C
√	√	—	—	—	—	—	—
CCR							

√ Changed according to the standard definition.

— Unchanged by the instruction.

L:

## Long Memory Data Move

L:

Operation	Assembler Syntax
(...); X:ea → D1; Y:ea → D2	(...) L:ea,D
(...); X:aa → D1; Y:aa → D2	(...) L:aa,D
(...); S1 → X:ea; S2 → Y:ea	(...) S,L:ea
(...); S1 → X:aa; S2 → Y:aa	(...) S,L:aa

where (...) refers to any arithmetic or logical instruction that allows parallel moves

## Instruction Fields

{ea}	MMMRRR	Effective Address (see <b>Table 12-13</b> on page 12-18)
	W	Read S/Write D bit (see <b>Table 12-16</b> on page 12-20)
{L}	LLL	Two Data ALU registers (see <b>Table 12-16</b> on page 12-20)
{aa}	aaaaaa	Absolute Short Address (see <b>Table 12-16</b> on page 12-20)

**Description** Move one 48-bit long-word operand from/to X and Y memory. Two Data ALU registers are concatenated to form the 48-bit long-word operand. This allows efficient moving of both double-precision (high:low) and complex (real:imaginary) data from/to one effective address in L (X:Y) memory. The same effective address is used for both the X and Y memory spaces; thus, only one effective address is required. Note that the A, B, A10, and B10 operands reference a single 48-bit signed (double-precision) quantity while the X, Y, AB, and BA operands reference two separate (that is, real and imaginary) 24-bit signed quantities. All memory alterable addressing modes can be used. Absolute short addressing can also be used.

If the arithmetic or logical opcode-operand portion of the instruction specifies a given destination accumulator, that same accumulator or portion of that accumulator cannot be specified as a destination D in the parallel data bus move operation. Thus, if the opcode-operand portion of the instruction specifies the 56-bit A accumulator as its destination, the parallel data bus move portion of the instruction cannot specify A, A10, AB, or BA as destination D. Similarly, if the opcode-operand portion of the instruction specifies the 56-bit B accumulator as its destination, the parallel data bus move portion of the instruction cannot specify B, B10, AB, or BA as its destination D. That is, duplicate destinations are *not* allowed within the same instruction. If the opcode-operand portion of the instruction specifies a given source or destination register, that same register or portion of that register can be used as a source S in the parallel data bus move operation. This allows data to be moved in the same instruction in which it is being used as a source operand by a Data ALU operation. That is, duplicate sources are allowed within the same

**L:**

## Long Memory Data Move

**L:**

instruction. Note that the operands A10, B10, X, Y, AB, and BA can be used only for a 32-bit long memory move as previously described. These operands cannot be used in any other type of instruction or parallel move.

### Condition Codes

7	6	5	4	3	2	1	0
S	L	E	U	N	Z	V	C
√	√	—	—	—	—	—	—
CCR							

√ Changed according to the standard definition.

— Unchanged by the instruction.

As a result of the MOVE A,L:ea operation, a 48-bit positive or negative saturation constant is stored in the specified 24-bit X and Y memory locations if the signed integer portion of the A accumulator is in use. As a result of the MOVE AB,L:ea operation, either one or two 24-bit positive and/or negative saturation constant(s) are stored in the specified 24-bit X and/or Y memory location(s) if the signed integer portion of the A and/or B accumulator(s) is in use.

### Instruction Formats and Opcodes

(... ) L:ea,D	23	16 15	8 7	0
(... ) S,L:ea	0 1 0 0	L 0 L L W 1 M M M R R R	Instruction opcode	
	Optional Effective Address Extension			
(... ) L:aa,D	23	16 15	8 7	0
(... ) S,L:aa	0 1 0 0	L 0 L L W 0 a a a a a a	Instruction opcode	

**X:Y:****XY Memory Data Move****X:Y:**

Operation	Assembler Syntax
(...); X:<eax> → D1; Y:<eay> → D2	(...) X:<eax>,D1 Y:<eay>,D2
(...); X:<eax> → D1; S2 → Y:<eay>	(...) X:<eax>,D1 S2,Y:<eay>
(...); S1 → X:<eax>; Y:<eay> → D2	(...) S1,X:<eax> Y:<eay>,D2
(...); S1 → X:<eax>; S2 → Y:<eay>	(...) S1,X:<eax> S2,Y:<eay>

where (...) refers to any arithmetic or logical instruction that allows parallel moves

**Instruction Fields**

{<eax>}	MMRRR	5-bit X Effective Address (R[0–3] or R[4–7])
{<eay>}	mmrr	4-bit Y Effective Address (R[4–7] or R[0–3])
{S1,D1}	ee	S1/D1 register [X0,X1,A,B]
{S2,D2}	ff	S2/D2 register [Y0,Y1,A,B]

MMRRR,mmrr,ee,ff	(see <b>Table 12-16</b> on page 12-20)
W	X move Operation Control (see <b>Table 12-16</b> on page 12-20)
w	Y move Operation Control (see <b>Table 12-16</b> on page 12-20)

**Description** Move a one-word operand from/to X memory and move another word operand from/to Y memory. Note that two independent effective addresses are specified (<eax> and <eay>) where one of the effective addresses uses the lower bank of address registers (R[0–3]) while the other effective address uses the upper bank of address registers (R[4–7]). All parallel addressing modes can be used.

If the arithmetic or logical opcode-operand portion of the instruction specifies a given destination accumulator, that same accumulator or portion of that accumulator cannot be specified as a destination D1 or D2 in the parallel data bus move operation. Thus, if the opcode-operand portion of the instruction specifies the 56-bit A accumulator as its destination, the parallel data bus move portion of the instruction cannot specify A as its destination D1 or D2. Similarly, if the opcode-operand portion of the instruction specifies the 56-bit B accumulator as its destination, the parallel data bus move portion of the instruction cannot specify B as its destination D1 or D2. That is, duplicate destinations are *not* allowed within the same instruction. D1 and D2 cannot specify the same register.



**X:Y:****XY Memory Data Move****X:Y:**

If the instruction specifies an access to an internal X I/O and internal Y I/O modules (reflected by the address of the X memory and the Y memory), only the access to the internal X I/O module is executed. The access to the Y I/O module is discarded.

If the opcode-operand portion of the instruction specifies a given source or destination register, that same register or portion of that register can be used as a source S1 and/or S2 in the parallel data bus move operation. This allows data to be moved in the same instruction in which it is being used as a source operand by a Data ALU operation. That is, duplicate sources are allowed within the same instruction. Note that S1 and S2 can specify the same register.

**Condition Codes**

7	6	5	4	3	2	1	0
S	L	E	U	N	Z	V	C
√	√	—	—	—	—	—	—
CCR							

√ Changed according to the standard definition.

— Unchanged by the instruction.

**Instruction Formats and Opcodes**

( . . . ) X:<eax>,D1 Y:<eay>,D2

( . . . ) X:<eax>,D1 S2,Y:<eay>

( . . . ) S1,X:<eax> Y:<eay>,D2

( . . . ) S1,X:<eax> S2,Y:<eay>

23	16	15	8	7	0
1	w	m	m	e	e
	f	f	W	r	r
			M	M	R
			R	R	R
Instruction opcode					

# MOVEC

## Move Control Register

# MOVEC

Operation	Assembler Syntax
[X or Y]:ea → D1	MOVE(C) [X or Y]:ea,D1
[X or Y]:aa → D1	MOVE(C) [X or Y]:aa,D1
S1 → [X or Y]:ea	MOVE(C) S1,[X or Y]:ea
S1 → [X or Y]:aa	MOVE(C) S1,[X or Y]:aa
S1 → D2	MOVE(C) S1,D2
S2 → D1	MOVE(C) S2,D1
#xxxx → D1	MOVE(C) #xxxx,D1
#xx → D1	MOVE(C) #xx,D1

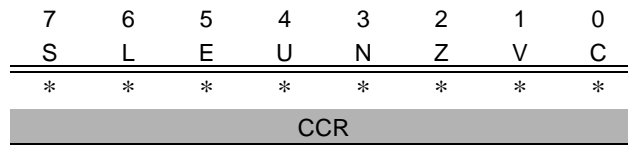
### Instruction Fields

{ea}	MMMRR	Effective Address (see <b>Table 12-13</b> on page 12-18)
	W	Read S/Write D bit (see <b>Table 12-16</b> on page 12-20)
{X/Y}	S	Memory Space [X,Y] (see <b>Table 12-13</b> on page 12-18)
{S1,D1}	dddd	Program Controller register [M[0–7], VBA, SR, OMR, SP, SSH,SSL,LA,LC] (see <b>Table 12-16</b> on page 12-20)
{aa}	aaaaaa	aa = 6-bit Absolute Short Address
{S2,D2}	eeeeee	S2/D2 register [all on-chip registers] (see <b>Table 12-16</b> on page 12-20)
{#xx}	iiiiiii	#xx = 8-bit Immediate Short Data

**Description** Move the contents of the specified source control register S1 or S2 to the specified destination, or move the specified source to the specified destination control register D1 or D2. The control registers S1 and D1 are a subset of the S2 and D2 register set and consist of the Address ALU modifier registers and the program controller registers. These registers can be moved to or from any other register or memory space. All memory addressing modes, as well as an Immediate Short Addressing mode, can be used.

If the System Stack register SSH is specified as a source operand, the Stack Pointer (SP) is post-decremented by 1 after SSH has been read. If SSH is specified as a destination operand, the SP is preincremented by 1 before SSH is written. This allows the system stack to be efficiently extended using software stack pointer operations.

### Condition Codes



For D1 or D2 = SR operand:

- \* S Set according to bit 7 of the source operand.
- \* L Set according to bit 6 of the source operand.
- \* E Set according to bit 5 of the source operand.
- \* U Set according to bit 4 of the source operand.
- \* N Set according to bit 3 of the source operand.
- \* Z Set according to bit 2 of the source operand.
- \* V Set according to bit 1 of the source operand.
- \* C Set according to bit 0 of the source operand.

For D1 and D2 ≠ SR operand:

- \* S Set if data growth is detected.
- \* L Set if data limiting occurred during the move.

### Instruction Formats and Opcodes

MOVE(C)	[X or Y]:ea,D1	23	16 15	8 7	0
MOVE(C)	S1,[X or Y]:ea	0 0 0 0 0 1 0 1 W 1 M M M R R R   O S 1 d d d d d			
MOVE(C)	#xxxx,D1	Optional Effective Address Extension			
MOVE(C)	[X or Y]:aa,D1	23	16 15	8 7	0
MOVE(C)	S1,[X or Y]:aa	0 0 0 0 0 1 0 1 W 0 a a a a a a   0 S 1 d d d d d			
MOVE(C)	S1,D2	23	16 15	8 7	0
MOVE(C)	S2,D1	0 0 0 0 0 1 0 0 W 1 e e e e e e   1 0 1 d d d d d			
MOVE(C)	#xx,D1	23	16 15	8 7	0
0 0 0 0 0 1 0 1 i i i i i i i i   1 0 1 d d d d d					

# MOVEM

## Move Program Memory

# MOVEM

Operation	Assembler Syntax	
S → P:ea	MOVE(M)	S,P:ea
S → P:aa	MOVE(M)	S,P:aa
P:ea → D	MOVE(M)	P:ea,D
P:aa → D	MOVE(M)	P:aa,D

### Instruction Fields

{ea}	MMRRRR	Effective Address (see <b>Table 12-13</b> on page 12-18)
	W	Read S/Write D bit (see <b>Table 12-16</b> on page 12-20)
{ S,D}	dddddd	Source/Destination register [all on-chip registers] (see <b>Table 12-13</b> on page 12-18)
{aa}	aaaaaa	Absolute Short Address

**Description** Move the specified operand from/to the specified Program (P) memory location. This is a powerful move instruction in that the source and destination registers S and D can be any register. All memory-alterable addressing modes can be used, as well as the Absolute Short Addressing mode. If the system stack register SSH is specified as a source operand, the system Stack Pointer (SP) is post-decremented by 1 after SSH has been read. If the system stack register SSH is specified as a destination operand, the SP is pre-incremented by 1 before SSH is written. This allows the system stack to be efficiently extended using software stack pointer operations.

### Condition Codes

7	6	5	4	3	2	1	0
S	L	E	U	N	Z	V	C
*	*	*	*	*	*	*	*
CCR							

# MOVEM

## Move Program Memory

# MOVEM

For D1 or D2 = SR operand:

- \* S Set according to bit 7 of the source operand.
- \* L Set according to bit 6 of the source operand.
- \* E Set according to bit 5 of the source operand.
- \* U Set according to bit 4 of the source operand.
- \* N Set according to bit 3 of the source operand.
- \* Z Set according to bit 2 of the source operand.
- \* V Set according to bit 1 of the source operand.
- \* C Set according to bit 0 of the source operand.

For D1 and D2 ≠ SR operand:

- \* S Set if data growth is detected.
- \* L Set if data limiting occurred during the move.

Operation	Assembler Syntax
S → P:ea	MOVE(M) S,P:ea
S → P:aa	MOVE(M) S,P:aa
P:ea → D	MOVE(M) P:ea,D
P:aa → D	MOVE(M) P:aa,D

### Instruction Formats and Opcodes

MOVE(M) S,P:ea	23	16 15	8 7	0
MOVE(M) P:ea,D	0 0 0 0 0 1 1 1 W 1 M M M R R R   1 0 d d d d d d			
	Optional Effective Address Extension			
MOVE(M) S,P:aa	23	16 15	8 7	0
MOVE(M) P:aa,D	0 0 0 0 0 1 1 1 W 0 a a a a a a   0 0 d d d d d d			

# MOVEP

## Move Peripheral Data

# MOVEP

Operation	Assembler Syntax
[X or Y]:pp → D	MOVEP [X or Y]:pp,D
[X or Y]:qq → D	MOVEP [X or Y]:qq,D
[X or Y]:pp → [X or Y]:ea	MOVEP [X or Y]:pp,[X or Y]:ea
[X or Y]:qq → [X or Y]:ea	MOVEP [X or Y]:qq,[X or Y]:ea
[X or Y]:pp → P:ea	MOVEP [X or Y]:pp,P:ea
[X or Y]:qq → P:ea	MOVEP [X or Y]:qq,P:ea
S → [X or Y]:pp	MOVEP S,[X or Y]:pp
S → [X or Y]:qq	MOVEP S,[X or Y]:qq
[X or Y]:ea → [X or Y]:pp	MOVEP [X or Y]:ea,[X or Y]:pp
[X or Y]:ea → [X or Y]:qq	MOVEP [X or Y]:ea,[X or Y]:qq
P:ea → [X or Y]:pp	MOVEP P:ea,[X or Y]:pp
P:ea → [X or Y]:qq	MOVEP P:ea,[X or Y]:qq

### Instruction Fields

{ea}	MMRRRR	Effective Address (see <b>Table 12-13</b> on page 12-18)
{pp}	pppppp	I/O Short Address [64 addresses: \$FFFFC0–\$FFFFFF]
{qq}	qqqqqq	I/O Short Address [64 addresses: \$FFFF80–\$FFFFBF]
{X/Y}	S	Memory space [X,Y] (see <b>Table 12-13</b> on page 12-18)
{X/Y}	s	Peripheral space [X,Y] (see <b>Table 12-13</b> on page 12-18)
	W	Read/write-peripheral (see <b>Table 12-13</b> on page 12-18)
{S,D}	dddddd	Source/Destination register [all on-chip registers] (see <b>Table 12-13</b> on page 12-18)

**Description** Move the specified operand to or from the specified X or Y I/O peripheral. The I/O Short Addressing mode is used for the I/O peripheral address. All memory addressing modes can be used for the X or Y memory effective address; all memory-alterable addressing modes can be used for the P memory effective address. All the I/O space (\$FFFF80–\$FFFFFF) can be accessed, except for the P: reference opcode. If the System Stack register SSH is specified as a source operand, the system Stack Pointer (SP) is post-decremented by 1 after SSH has been read. If SSH is specified as a destination operand, the SP is pre-incremented by 1 before SSH is written. This allows the system stack to be efficiently extended using software stack pointer operations.

# MOVEP

## Move Peripheral Data

# MOVEP

### Condition Codes

7	6	5	4	3	2	1	0
S	L	E	U	N	Z	V	C
*	*	*	*	*	*	*	*
CCR							

For D1 or D2 = SR operand:

- \* S Set according to bit 7 of the source operand.
- \* L Set according to bit 6 of the source operand.
- \* E Set according to bit 5 of the source operand.
- \* U Set according to bit 4 of the source operand.
- \* N Set according to bit 3 of the source operand.
- \* Z Set according to bit 2 of the source operand.
- \* V Set according to bit 1 of the source operand.
- \* C Set according to bit 0 of the source operand.

For D1 and D2 ≠ SR operand:

- \* S Set if data growth has been detected.
- \* L Set if data limiting has occurred during the move.

### Instruction Formats and Opcodes

X: or Y: Reference (high I/O address)

	23	16 15	8 7	0
MOVEP [X or Y]:pp,[X or Y]:ea	0	0 0 0 1 0 0	s W 1 M M M R R R	1 S p p p p p p
MOVEP [X or Y]:ea,[X or Y]:pp	Optional Effective Address Extension			

X: or Y: Reference (low I/O address)

	23	16 15	8 7	0
MOVEP X:qq,[X or Y]:ea	0	0 0 0 0 1 1 1	W 1 M M M R R R	0 S q q q q q q
MOVEP [X or Y]:ea,X:qq	Optional Effective Address Extension			

X: or Y: Reference (low I/O address)

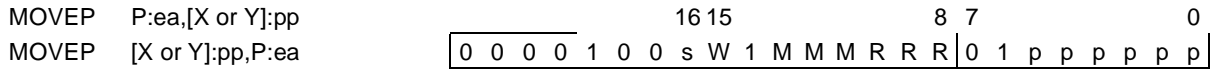
	23	16 15	8 7	0
MOVEP Y:qq,[X or Y]:ea	0	0 0 0 0 1 1 1	W 0 M M M R R R	1 S q q q q q q
MOVEP [X or Y]:ea,Y:qq	Optional Effective Address Extension			

# MOVEP

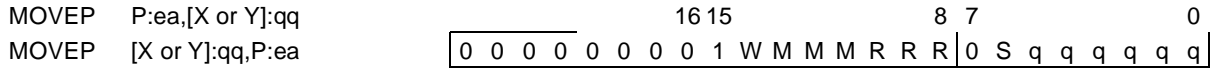
## Move Peripheral Data

# MOVEP

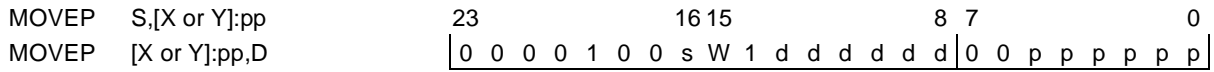
P: Reference (high I/O address)



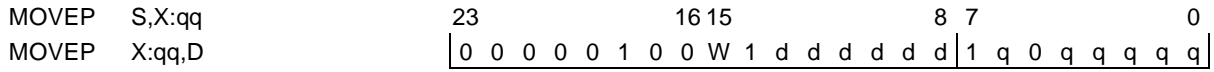
P: Reference (low I/O address)



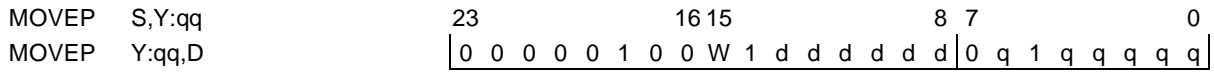
Register Reference (high I/O address)



Register Reference: (low I/O address)



Register Reference: (low I/O address)





Operation		Assembler Syntax	
$\pm S1 * S2 \rightarrow D$	(parallel move)	MPY ( $\pm$ )S1,S2,D	(parallel move)
$\pm S1 * S2 \rightarrow D$	(parallel move)	MPY ( $\pm$ )S2,S1,D	(parallel move)
$\pm(S1 * 2^{-n}) \rightarrow D$	(no parallel move)	MPY ( $\pm$ )S,#n,D	(no parallel move)

#### Instruction Fields 1

{S1,S2}	QQQ	Source registers S1,S2 [X0*X0, Y0*Y0, X1*X0, Y1*Y0, X0*Y1, Y0*X0, X1*Y0, Y1*X1] (see <b>Table 12-16</b> on page 12-20)
{D}	d	Destination accumulator [A,B] (see <b>Table 12-13</b> on page 12-18)
{ $\pm$ }	k	Sign [+,-] (see <b>Table 12-16</b> on page 12-20)

#### Instruction Fields 2

{S}	QQ	Source register [Y1,X0,Y0,X1] (see <b>Table 12-16</b> on page 12-20)
{D}	d	Destination accumulator [A,B] (see <b>Table 12-13</b> on page 12-18)
{ $\pm$ }	k	Sign [+,-] (see <b>Table 12-16</b> on page 12-20)
{#n}	sssss	Immediate operand (see <b>Table 12-16</b> on page 12-20)

**Description** Multiply the two signed 24-bit source operands S1 and S2 and store the resulting product in the specified 56-bit destination accumulator D. Or, multiply the signed 24-bit source operand S by the positive 24-bit immediate operand  $2^{-n}$  and store the resulting product in the specified 56-bit destination accumulator D. The “-” sign option is used to negate the specified product prior to accumulation. The default sign option is “+”. When the processor is in the Double-Precision Multiply mode, the following instructions do not execute in the normal way and should be used only as part of the double-precision multiply algorithm:

```
MPY Y0, X0, A    MPY Y0, X0, B
```

# MPY

## Signed Multiply

# MPY

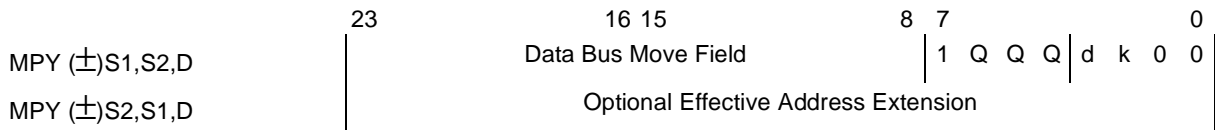
### Condition Codes

7	6	5	4	3	2	1	0
S	L	E	U	N	Z	V	C
√	√	√	√	√	√	√	—
CCR							

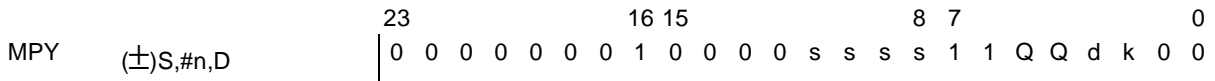
√ Changed according to the standard definition.

— Unchanged by the instruction.

### Instruction Formats and Opcodes 1



### Instruction Formats and Opcodes 2



# MPY(su,uu)

## Mixed Multiply

# MPY(su,uu)

### Operation

$\pm S1 * S2 \rightarrow D$  (S1 unsigned, S2 unsigned)

$\pm S1 * S2 \rightarrow D$  (S1 signed, S2 unsigned)

### Assembler Syntax

MPYuu ( $\pm$ )S1,S2,D (no parallel move)

MPYsu ( $\pm$ )S2,S1,D (no parallel move)

### Instruction Fields

{S1,S2}	QQQQ	Source registers S1,S2 [all combinations of X0,X1,Y0, and Y1] (see <b>Table 12-16</b> on page 12-20)
{D}	d	Destination accumulator [A,B] (see <b>Table 12-13</b> on page 12-18)
{ $\pm$ }	k	Sign [+,-] (see <b>Table 12-16</b> on page 12-20)
{s}		[ss,us] (see <b>Table 12-16</b> on page 12-20)

**Description** Multiply the two 24-bit source operands S1 and S2 and store the resulting product in the specified 56-bit destination accumulator D. One or two of the source operands can be unsigned. The “-” sign option is used to negate the specified product prior to accumulation. The default sign option is “+”.

### Condition Codes

7	6	5	4	3	2	1	0
S	L	E	U	N	Z	V	C
—	√	√	√	√	√	√	—
CCR							

√ Changed according to the standard definition.

— Unchanged by the instruction.

### Instruction Formats and Opcodes

MPY su ( $\pm$ )S1,S2,D	23	16 15	8 7	0																															
MPY uu ( $\pm$ )S1,S2,D	<table border="1" style="width: 100%; border-collapse: collapse;"> <tr> <td style="width: 10%;">0</td><td style="width: 10%;">0</td><td style="width: 10%;">0</td><td style="width: 10%;">0</td><td style="width: 10%;">0</td><td style="width: 10%;">0</td><td style="width: 10%;">0</td><td style="width: 10%;">1</td><td style="width: 10%;">0</td><td style="width: 10%;">0</td><td style="width: 10%;">1</td><td style="width: 10%;">0</td><td style="width: 10%;">0</td><td style="width: 10%;">1</td><td style="width: 10%;">1</td><td style="width: 10%;">1</td> </tr> <tr> <td colspan="15" style="text-align: center;">  1 s d k Q Q Q Q  </td> </tr> </table>				0	0	0	0	0	0	0	1	0	0	1	0	0	1	1	1	1 s d k Q Q Q Q														
0	0	0	0	0	0	0	1	0	0	1	0	0	1	1	1																				
1 s d k Q Q Q Q																																			

# MPYI

## Signed Multiply With Immediate Operand

# MPYI

### Operation

$\pm\#\text{xxxxxx} * S \rightarrow D$

### Assembler Syntax

MPYI  $(\pm)\#\text{xxxxxx}, S, D$

### Instruction Fields

{S}	qq	Source register [X0,Y0,X1,Y1] (see <b>Table 12-16</b> on page 12-20)
{D}	d	Destination accumulator [A,B] (see <b>Table 12-13</b> on page 12-18)
{±}	k	Sign [+,-] (see <b>Table 12-16</b> on page 12-20)
#xxxx		16-bit Immediate Long Data extension word

**Description** Multiply the immediate 24-bit source operand #xxxx with the 24-bit register source operand S and store the resulting product in the specified 56-bit destination accumulator D. The “-” sign option is used to negate the specified product prior to accumulation. The default sign option is “+”.

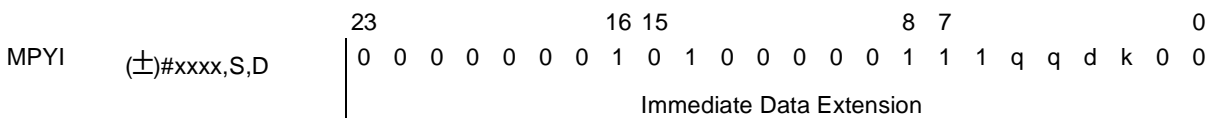
### Condition Codes

7	6	5	4	3	2	1	0
S	L	E	U	N	Z	V	C
—	√	√	√	√	√	√	—
CCR							

√ Changed according to the standard definition.

— Unchanged by the instruction.

### Instruction Formats and Opcodes



Operation		Assembler Syntax	
$\pm S1 * S2 + r \rightarrow D$	(parallel move)	MPYR ( $\pm$ )S1,S2,D	(parallel move)
$\pm S1 * S2 + r \rightarrow D$	(parallel move)	MPYR ( $\pm$ )S2,S1,D	(parallel move)
$\pm(S1 * 2^{-n}) + r \rightarrow D$	(no parallel move)	MPYR ( $\pm$ )S,#n,D	(no parallel move)

**Instruction Fields 1**

{S1,S2}	QQQ	Source registers S1,S2 [X0*X0, Y0*Y0, X1*X0, Y1*Y0, X0*Y1, Y0*X0, X1*Y0, Y1*X1] (see <b>Table 12-16</b> on page 12-20)
{D}	d	Destination accumulator [A,B] (see <b>Table 12-13</b> on page 12-18)
{ $\pm$ }	k	Sign [+,-] (see <b>Table 12-16</b> on page 12-20)

**Instruction Fields 2**

{S}	QQ	Source register [Y1,X0,Y0,X1] (see <b>Table 12-16</b> on page 12-20)
{D}	d	Destination accumulator [A,B] (see <b>Table 12-13</b> on page 12-18)
{ $\pm$ }	k	Sign [+,-] (see <b>Table 12-16</b> on page 12-20)
{#n}	sssss	Immediate operand (see <b>Table 12-16</b> on page 12-20)

**Description** Multiply the two signed 24-bit source operands S1 and S2 (or the signed 16-bit source operand S by the positive 24-bit immediate operand  $2^{-n}$ ), round the result using either convergent or two's-complement rounding, and store it in the specified 56-bit destination accumulator D. The “-” sign option negates the product prior to rounding. The default sign option is “+”. The contribution of the LS bits of the result is rounded into the upper portion of the destination accumulator. Once the rounding has been completed, the LSBs of the destination accumulator D are loaded with 0s to maintain an unbiased accumulator value that can be reused by the next instruction. The upper portion of the accumulator contains the rounded result that can be read out to the data buses. Refer to the RND instruction for more complete information on the rounding process.

# MPYR

## Signed Multiply and Round

# MPYR

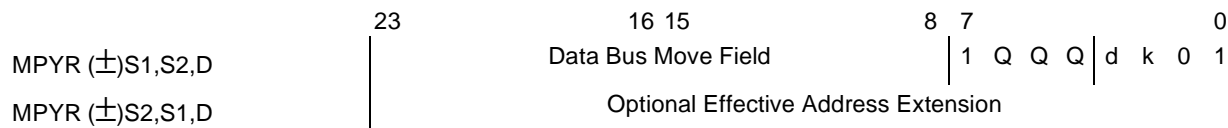
### Condition Codes

7	6	5	4	3	2	1	0
S	L	E	U	N	Z	V	C
√	√	√	√	√	√	√	—
CCR							

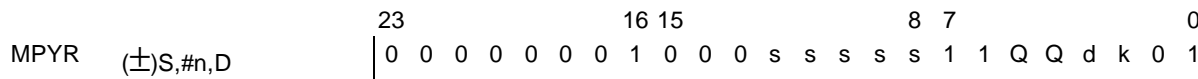
√ Changed according to the standard definition.

— Unchanged by the instruction.

### Instruction Formats and Opcodes 1



### Instruction Formats and Opcodes 2



## Signed Multiply and Round With Immediate Operand

### Operation

$\pm\#xxxx * S + r \rightarrow D$

### Assembler Syntax

MPYRI  $(\pm)\#xxxx,S,D$

### Instruction Fields

{S}	qq	Source register [X0,Y0,X1,Y1] (see <b>Table 12-16</b> on page 12-20)
{D}	d	Destination accumulator [A,B] (see <b>Table 12-13</b> on page 12-18)
{ $\pm$ }	k	Sign [+,-] (see <b>Table 12-16</b> on page 12-20)
#xxxx		24-bit Immediate Long Data extension word

**Description** Multiply the two signed 24-bit source operands #xxxx and S, round the result using either convergent or two's-complement rounding, and store it in the specified 56-bit destination accumulator D. The “-” sign option is used to negate the product before rounding. The default sign option is “+”. The contribution of the LS bits of the result is rounded into the upper portion of the destination accumulator. Once the rounding has been completed, the LS bits of the destination accumulator D are loaded with 0s to maintain an unbiased accumulator value that can be reused by the next instruction. The upper portion of the accumulator contains the rounded result that can be read out to the data buses. Refer to the RND instruction for more complete information on the rounding process.

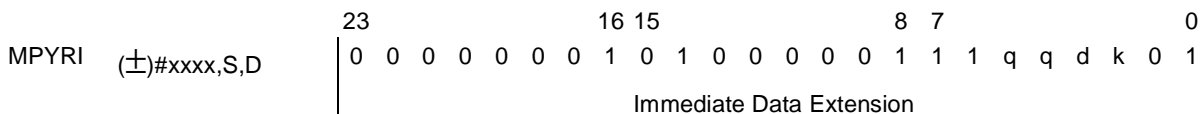
### Condition Codes

7	6	5	4	3	2	1	0
S	L	E	U	N	Z	V	C
—	√	√	√	√	√	√	—
CCR							

√ Changed according to the standard definition.

— Unchanged by the instruction.

### Instruction Formats and Opcodes



# NEG

## Negate Accumulator

# NEG

### Operation

0 – D → D (parallel move)

### Assembler Syntax

NEG D (parallel move)

### Instruction Fields

{D} d Destination accumulator [A,B] (see **Table 12-13** on page 12-18)

**Description** Negate the destination operand D and store the result in the destination accumulator. This is a 56-bit, two’s-complement operation.

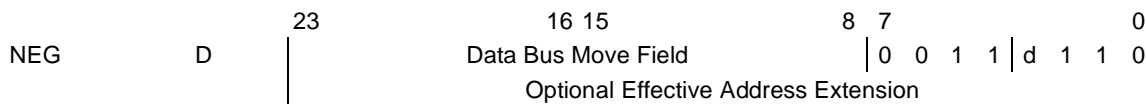
### Condition Codes

7	6	5	4	3	2	1	0
S	L	E	U	N	Z	V	C
√	√	√	√	√	√	√	—
CCR							

√ Changed according to the standard definition.

— Unchanged by the instruction.

### Instruction Formats and Opcodes





# NOP

## No Operation

# NOP

### Operation

PC + 1 → PC

### Assembler Syntax

NOP

### Instruction Fields None

**Description** Increment the Program Counter (PC). Pending pipeline actions, if any, are completed. Execution continues with the instruction following the NOP.

### Condition Codes

7	6	5	4	3	2	1	0
S	L	E	U	N	Z	V	C
—	—	—	—	—	—	—	—

CCR

— Unchanged by the instruction.

### Instruction Formats and Opcodes

NOP	23	16 15	8 7	0
	0	0 0		

# NORM

## Norm Accumulator Iteration

# NORM

**Operation**

If  $\bar{E} \bullet U \bullet \bar{Z} = 1$ , then ASL D and  $R_n - 1 \rightarrow R_n$   
 else if  $E = 1$ , then ASR D and  $R_n + 1 \rightarrow R_n$   
 else NOP

**Assembler Syntax**

NORM Rn,D

where  $\bar{E}$  denotes the logical complement of E and  $\bullet$  denotes the logical AND operator

**Instruction Fields**

{D}        d        Destination accumulator [A,B] (see **Table 12-13** on page 12-18)  
 {Rn}      RRR      Address register [R[0–7]]

**Description** Perform one normalization iteration on the specified destination operand D, update the specified address register Rn based upon the results of that iteration, and store the result back in the destination accumulator. This is a 56-bit operation. If the accumulator extension is not in use, the accumulator is unnormalized, and the accumulator is not zero, the destination operand is arithmetically shifted one bit to the left, and the specified address register is decremented by 1. If the accumulator extension register is in use, the destination operand is arithmetically shifted one bit to the right, and the specified address register is incremented by 1. If the accumulator is normalized or zero, a NOP is executed and the specified address register is not affected. Since the operation of the NORM instruction depends on the E, U, and Z condition code register bits, these bits must correctly reflect the current state of the destination accumulator prior to executing the NORM instruction.

**Condition Codes**

7	6	5	4	3	2	1	0
S	L	E	U	N	Z	V	C
—	√	√	√	√	√	*	—
CCR							

- \* V        Set if bit 55 is changed as a result of a left shift.
- √        Changed according to the standard definition.
- Unchanged by the instruction.

**Instruction Formats and Opcodes**

NORM	Rn,D	23	16	15	8	7	0																	
		0	0	0	0	0	0	1	1	1	0	1	1	R	R	R	0	0	0	1	d	1	0	1

### Operation

If S[23] = 0 then ASR S,D  
else ASL -S,D

### Assembler Syntax

NORMF S,D

### Instruction Fields

{S}      **sss**      Source register [X0,X1,Y0,Y1,A1,B1] (see **Table 12-13** on page 12-18)  
{D}      **D**          Destination accumulator [A,B] (see **Table 12-13** on page 12-18)

**Description**    Arithmetically shift the destination accumulator either left or right as specified by the source operand sign and value. If the source operand is negative then the accumulator is left shifted, and if the source operand is positive then it is right shifted. The source accumulator value should be between +56 to -55 (or +40 to -39 in sixteen bit mode). This instruction can be used to normalize the specified accumulator D, by arithmetically shifting it either left or right so as to bring the leading one or zero to bit location 46. The number of needed shifts is specified by the source operand. This number could be calculated by a previous CLB instruction. For normalization the source accumulator value should be between +8 to -47 (or +8 to -31 in Sixteen-bit Arithmetic mode). NORMF is a 56 bit operation.

### Condition Codes

7	6	5	4	3	2	1	0
S	L	E	U	N	Z	V	C
—	√	√	√	√	√	*	—
CCR							

- \*    V    Set if bit 39 is changed any time during the shift operation, and cleared otherwise.
- √    Changed according to the standard definition.
- Unchanged by the instruction.

### Example

```
CLB      A,B            ;Count leading bits
NORMF   B1,A           ;Normalize A.
```

If the base exponent is stored in R1 it can be updated by the following commands:

```
MOVE     B1,N1         ;Update N1 with shift amount
MOVE     (R1)+N1       ;Increment or decrement exponent
```

# NORMF

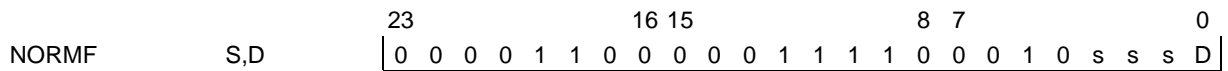
## Fast Accumulator Normalization

# NORMF

Prior to execution, the 56-bit A accumulator contains the value \$20:0000:0000. The CLB instruction updates the B accumulator to the number of needed shifts, seven in this example. The NORMF instruction performs seven shifts to the right on A accumulator, and normalization of A is achieved. The exponent register is updated according to the number of shifts.

	<b>Before execution</b>	<b>After execution</b>
CLB A, B A:	\$20:0000:0000	B: \$00:0007:0000
NORMF B1, A A:	\$20:0000:0000	A: \$00:4000:0000

### Instruction Formats and Opcodes



# NOT

## Logical Complement

# NOT

### Operation

$\overline{D[31-16]} \rightarrow D[31-16]$  (parallel move)

### Assembler Syntax

NOT D (parallel move)

where “—” denotes the logical NOT operator.

### Instruction Fields

{D} d Destination accumulator [A,B] (see **Table 12-13** on page 12-18)

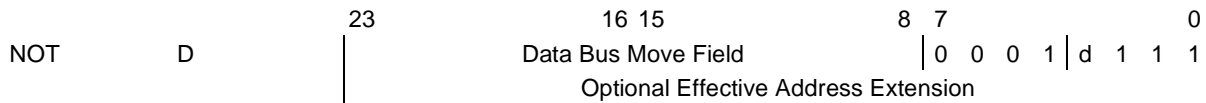
**Description** Take the one’s complement of bits 47–24 of the destination operand D and store the result back in bits 47–24 of the destination accumulator. This is a 24-bit operation. The remaining bits of D are not affected.

### Condition Codes

7	6	5	4	3	2	1	0
S	L	E	U	N	Z	V	C
√	√	—	—	*	*	*	—
CCR							

- \* N Set if bit 47 of the result is set.
- \* Z Set if bits 47–24 of the result are 0.
- \* V Always cleared.
- √ Changed according to the standard definition.
- Unchanged by the instruction.

### Instruction Formats and Opcodes



## OR

## Logical Inclusive OR

## OR

Operation	Assembler Syntax
$S \oplus D[47-24] \rightarrow D[47-24]$ (parallel move)	OR S,D (parallel move)
$\#xx \oplus D[47-24] \rightarrow D[47-24]$	OR #xx,D
$\#xxxx \oplus D[47-24] \rightarrow D[47-24]$	OR #xxxx,D

where  $\oplus$  denotes the logical inclusive OR operator.

## Instruction Fields

{S}	JJ	Source input register [X0,X1,Y0,Y1] (see <b>Table 12-13</b> on page 12-18)
{D}	d	Destination accumulator [A/B] (see <b>Table 12-13</b> on page 12-18)
{#xx}	iiii	6-bit Immediate Short Data
{#xxxx}		24-bit Immediate Long Data extension word

**Description** Logically inclusive OR the source operand S with bits 47–24 of the destination operand D and store the result in bits 47–24 of the destination accumulator. The source can be a 24-bit register, 6-bit short immediate, or 24-bit long immediate. This instruction is a 24-bit operation. The remaining bits of the destination operand D are not affected. When using 6-bit immediate data, the data is interpreted as an unsigned integer. That is, the six bits are right aligned, and the remaining bits are zeroed to form a 16-bit source operand.

## Condition Codes

7	6	5	4	3	2	1	0
S	L	E	U	N	Z	V	C
√	√	—	—	*	*	*	—
CCR							

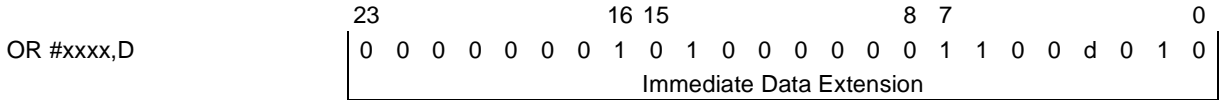
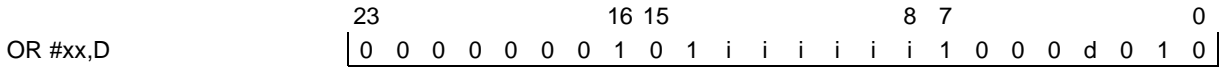
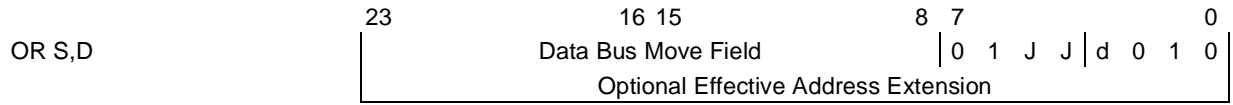
- \* N Set if bit 47 of the result is set.
- \* Z Set if bits 47–24 of the result are 0.
- \* V Always cleared.
- √ Changed according to the standard definition.
- Unchanged by the instruction.

# OR

## Logical Inclusive OR

# OR

### Instruction Formats and Opcodes



**ORI****OR Immediate With Control Register****ORI****Operation**

#xx + D → D

**Assembler Syntax**

OR(l) #xx,D

where + denotes the logical inclusive OR operator.

**Instruction Fields**

{D}	EE	Program Controller register [MR,CCR,COM,EOM] (see <b>Table 12-13</b> on page 12-18)
{#xx}	iiiiiii	Immediate Short Data

**Description** Logically OR the 8-bit immediate operand (#xx) with the contents of the destination control register D and store the result in the destination control register. The condition codes are affected only when the Condition Code Register (CCR) is specified as the destination operand.

**Condition Codes**

7	6	5	4	3	2	1	0
S	L	E	U	N	Z	V	C
*	*	*	*	*	*	*	*
CCR							

For CCR Operand:

- \* S Set if bit 7 of the immediate operand is set.
- \* L Set if bit 6 of the immediate operand is set.
- \* E Set if bit 5 of the immediate operand is set.
- \* U Set if bit 4 of the immediate operand is set.
- \* N Set if bit 3 of the immediate operand is set.
- \* Z Set if bit 2 of the immediate operand is set.
- \* V Set if bit 1 of the immediate operand is set.
- \* C Set if bit 0 of the immediate operand is set.

For MR and OMR Operands:

The condition codes are not affected using these operands.

**Instruction Formats and Opcodes**

OR(l) #xx,D	23	16 15	8 7	0
	0 0 0 0 0 0 0 0	i i i i i i i i	1 1 1 1 1 1 0	E E



# PFLUSH

## Program Cache Flush

# PFLUSH

### Operation

Flush instruction cache

### Assembler Syntax

PFLUSH

### Instruction Fields None

**Description** Flush the whole instruction cache, unlock all cache sectors, set the LRU stack and tag registers to their default values. The PFLUSH instruction is enabled only in Cache mode. When the cache is disabled, execution of this instruction causes an illegal instruction trap.

### Condition Codes

7	6	5	4	3	2	1	0
S	L	E	U	N	Z	V	C
—	—	—	—	—	—	—	—
CCR							

— Unchanged by the instruction.

### Instruction Formats and Opcodes

PFLUSH	<table style="border-collapse: collapse; width: 100%; text-align: center;"> <tr> <td style="width: 25%; padding: 0 5px;">23</td> <td style="width: 25%; padding: 0 5px;">16 15</td> <td style="width: 25%; padding: 0 5px;">8 7</td> <td style="width: 25%; padding: 0 5px;">0</td> </tr> <tr> <td style="padding: 0 5px;">0</td> <td style="padding: 0 5px;">0</td> <td style="padding: 0 5px;">0</td> <td style="padding: 0 5px;">1</td> </tr> </table>	23	16 15	8 7	0	0	0	0	1
23	16 15	8 7	0						
0	0	0	1						

# PFLUSHUN

# PFLUSHUN

## Program Cache Flush Unlocked Sectors

### Operation

Flush Unlocked instruction cache sectors

### Assembler Syntax

PFLUSHUN

### Instruction Fields None

**Description** Flush the instruction cache sectors that are unlocked, set the LRU stack to its default value and set the unlocked tag registers to their default values. The PFLUSHUN instruction is enabled only in Cache mode. When the cache is disabled, execution of this instruction causes an illegal instruction trap.

### Condition Codes

7	6	5	4	3	2	1	0
S	L	E	U	N	Z	V	C
—	—	—	—	—	—	—	—
CCR							

— Unchanged by the instruction.

### Instruction Formats and Opcodes

PFLUSHUN	23	16	15	8	7	0
	0	0	0	0	0	1

### Operation

Unlock all locked sectors

### Assembler Syntax

PFREE

### Instruction Fields None

**Description** Unlock all the locked cache sectors in the instruction cache. The PFREE instruction is enabled only in Cache mode. When the cache is disabled, execution of this instruction causes an illegal instruction trap.

### Condition Codes

7	6	5	4	3	2	1	0
S	L	E	U	N	Z	V	C
—	—	—	—	—	—	—	—
CCR							

— Unchanged by the instruction.

### Instruction Formats and Opcodes

PFREE	23	16 15	8 7	0
	0 1 0			

# PLOCK

# PLOCK

## Lock Instruction Cache Sector

**Operation**

Lock sector by effective address

**Assembler Syntax**

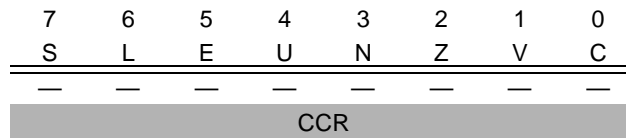
PLOCK      ea

**Instruction Fields**

{ea}      **MMMRRR**      Effective Address (see **Table 12-13** on page 12-18)

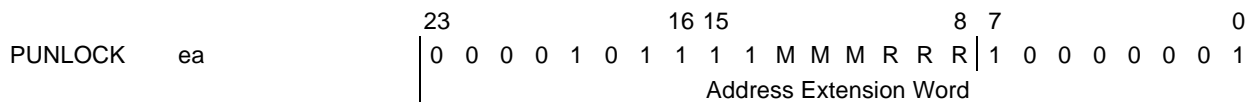
**Description** Lock the cache sector to which the specified effective address belongs. If the specified effective address does not belong to any cache sector and is therefore definitely locked, nevertheless, load the least recently used cache sector tag with the 17 most significant bits of the specified address. Update the LRU stack accordingly. All memory alterable addressing modes can be used for the effective address, but not a short absolute address. The PLOCK instruction is enabled only in Cache mode. In PRAM mode it causes an illegal instruction trap.

**Condition Codes**



—      Unchanged by the instruction.

**Instruction Formats and Opcodes**





# PUNLOCK

# PUNLOCK

## Unlock Instruction Cache Sector

**Operation**

Unlock sector by effective address

**Assembler Syntax**

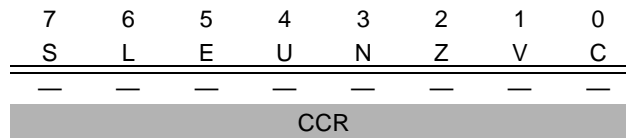
PUNLOCK ea

**Instruction Fields**

{ea}      **MMMRRR**      Effective Address (see **Table 12-13** on page 12-18)

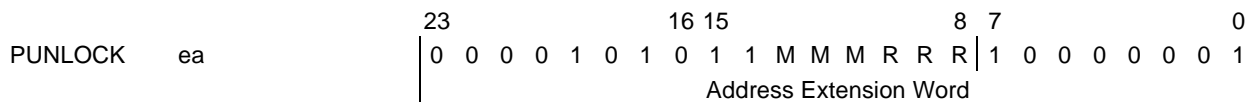
**Description**    Unlock the cache sector to which the specified effective address belongs. If the specified effective address does not belong to any cache sector, and is therefore definitely unlocked, nevertheless, load the least recently used cache sector tag with the 17 most significant bits of the specified address. Update the LRU stack accordingly. All memory alterable addressing modes may be used for the effective address, but not a short absolute address. The PUNLOCK instruction is enabled only in Cache mode. In PRAM mode it causes an illegal instruction trap.

**Condition Codes**



—      Unchanged by the instruction.

**Instruction Formats and Opcodes**



# PUNLOCKR

# PUNLOCKR

## Unlock Instruction Cache Relative Sector

### Operation

Unlock sector by PC+xxxx

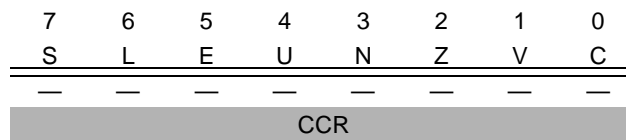
### Assembler Syntax

PUNLOCKR    xxxx

### Instruction Fields None

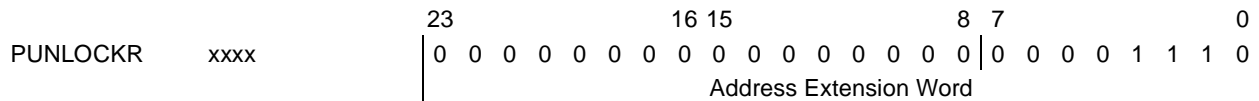
**Description**    Unlock the cache sector to which the sum PC + specified displacement belongs. If the sum does not belong to any cache sector, and is therefore definitely unlocked, nevertheless, load the least recently used cache sector tag with the 17 most significant bits of the sum. Update the LRU stack accordingly. The displacement is a two's-complement 24-bit integer that represents the relative distance from the current PC to the address to be locked. The PUNLOCKR instruction is enabled only in Cache mode. In PRAM mode it causes an illegal instruction trap.

### Condition Codes



—            Unchanged by the instruction.

### Instruction Formats and Opcodes



# REP

## Repeat Next Instruction

# REP

### Operation

LC → TEMP; [X or Y]:ea → LC  
 Repeat next instruction until LC = 1  
 TEMP → LC

LC → TEMP; [X or Y]:aa → LC  
 Repeat next instruction until LC = 1  
 TEMP → LC

LC → TEMP; S → LC  
 Repeat next instruction until LC = 1  
 TEMP → LC

LC → TEMP; #xxx → LC  
 Repeat next instruction until LC = 1  
 TEMP → LC

### Assembler Syntax

REP [X or Y]:ea

REP [X or Y]:aa

REP S

REP #xxx

### Instruction Fields

{ea}	MMRRR	Effective Address (see <b>Table 12-13</b> on page 12-18)
{X/Y}	S	Memory Space [X,Y] (see <b>Table 12-13</b> on page 12-18)
{aa}	aaaaaa	Absolute Short Address
{#xxx}	hhhhiiiiii	Immediate Short Data
{S}	dddddd	Source register [all on-chip registers] (see <b>Table 12-13</b> on page 12-18)

**Description** Repeat the single-word instruction immediately following the REP instruction the specified number of times. The value specifying the number of times the given instruction is to be repeated is loaded into the 24-bit loop counter (LC) register. The single-word instruction is then executed the specified number of times, decrementing the loop counter (LC) after each execution until LC = 1. When the REP instruction is in effect, the repeated instruction is fetched only one time, and it remains in the instruction register for the duration of the loop count. Thus, the REP instruction is not interruptible (sequential repeats are also not interruptible). The current LC value is stored in an internal temporary register. If LC is set equal to zero, the instruction is repeated 65,536 times. The instruction's effective address specifies the address of the value which is to be loaded into the LC. All address register indirect addressing modes can be used. The absolute short and the immediate short addressing modes may also be used. The four MS bits of the 12-bit immediate value are zeroed to form the 24-bit value that is to be loaded into the LC.

If the System Stack register SSH is specified as a source operand, the system Stack Pointer (SP) is post-decremented by 1 after SSH has been read.





# RESET

## Reset On-Chip Peripheral Devices

# RESET

**Operation**

Reset the interrupt priority register and all on-chip peripherals

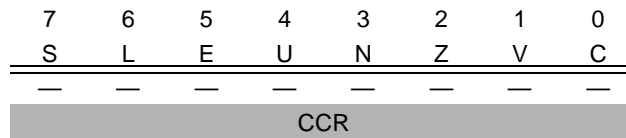
**Assembler Syntax**

RESET

**Instruction Fields** None

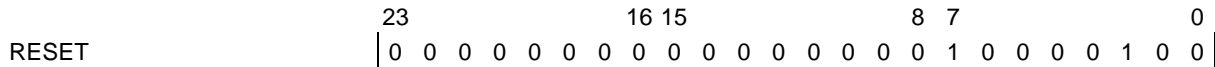
**Description** Reset the interrupt priority register and all on-chip peripherals. This is a software reset, which is *not* equivalent to a hardware  $\overline{\text{RESET}}$  since only on-chip peripherals and the interrupt structure are affected. The processor state is not affected, and execution continues with the next instruction. All interrupt sources are disabled except for the stack error, NMI, illegal instruction, Trap, Debug request, and hardware reset interrupts.

**Condition Codes**



— Unchanged by the instruction.

**Instruction Formats and Opcodes**



Operation		Assembler Syntax	
$D + r \rightarrow D$	(parallel move)	RND D	(parallel move)

### Instruction Fields

{D}    d    Destination accumulator [A,B] (see **Table 12-13** on page 12-18)

**Description** Round the 56-bit value in the specified destination operand D and store the result in the destination accumulator (A or B). The contribution of the LSBs of the operand is rounded into the upper portion of the operand by adding a rounding constant to the LSBs of the operand. The upper portion of the destination accumulator contains the rounded result. The boundary between the lower portion and the upper portion is determined by the scaling mode bits S0 and S1 in the Status Register (SR).

Two types of rounding can be used: convergent rounding (also called round to nearest (even)) or two's-complement rounding. The type of rounding is selected by the Rounding Mode bit (RM) in the MR portion of the SR. In both rounding modes a rounding constant is first added to the unrounded result. The value of the rounding constant added is determined by the scaling mode bits S0 and S1 in the SR. A 1 is positioned in the rounding constant aligned with the MSB of the current LS portion, that is, the rounding constant weight is actually equal to half the weight of the upper portion's LSB. The following table shows the rounding position and rounding constant as determined by the scaling mode bits:

S1	S0	Scaling Mode	Rounding		Rounding Constant			
			Position	55–25	24	23	22	21–0
0	0	No Scaling	23	0...0	0	1	0	0...0
0	1	Scale Down	24	0...0	1	0	0	0...0
1	0	Scale Up	22	0...0	0	0	1	0...0

If convergent rounding is used, the result of this addition is tested and if all the bits of the result to the right of, and including, the rounding position are cleared, then the bit to the left of the rounding position is cleared in the result. This ensures that the result is not biased. In both rounding modes, the Least Significant Bits (LSBs) of the result are cleared. The number of LSBs cleared is determined by the Scaling Mode bits in the Status Register (SR). All bits to the right of and including the rounding position are cleared in the result.

In Sixteen-bit Arithmetic mode the 40-bit value (in the 56-bit destination operand D) is rounded and stored in the destination accumulator (A or B). This implies that the

# RND

## Round Accumulator

# RND

boundary between the lower portion and upper portion is in a different position then in 24 bit mode. The following table shows the rounding position and rounding constant in Sixteen-bit Arithmetic mode, as determined by the scaling mode bits:

S1	S0	Scaling Mode	Rounding		Rounding Constant			
			Position	55–33	32	23	22	21–8
0	0	No Scaling	31	0...0	0	1	0	0...0
0	1	Scale Down	32	0...0	1	0	0	0...0
1	0	Scale Up	30	0...0	0	0	1	0...0

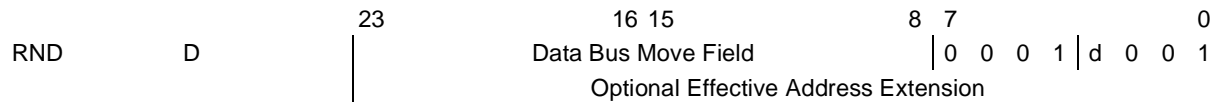
### Condition Codes

7	6	5	4	3	2	1	0
S	L	E	U	N	Z	V	C
√	√	√	√	√	√	√	—
CCR							

√ Changed according to the standard definition.

— Unchanged by the instruction.

### Instruction Formats and Opcodes

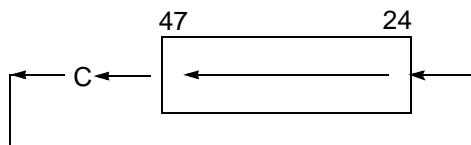


# ROL

## Rotate Left

# ROL

### Operation



### Assembler Syntax

ROL D (parallel move)

### Instruction Fields

{D}      d      Destination accumulator [A,B] (see **Table 12-13** on page 12-18)

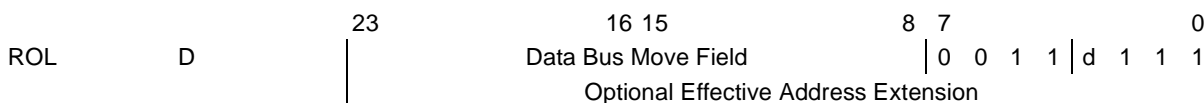
**Description** Rotate bits 47–24 of the destination operand D one bit to the left and store the result in the destination accumulator. The Carry bit (C) receives the previous value of bit 47 of the operand. The previous value of the C bit is shifted into bit 24 of the operand. This instruction is a 24-bit operation. The remaining bits of destination operand D are not affected.

### Condition Codes

7	6	5	4	3	2	1	0
S	L	E	U	N	Z	V	C
√	√	—	—	*	*	*	*
CCR							

- \* N      Set if bit 47 of the result is set.
- \* Z      Set if bits 47–24 of the result are 0.
- \* V      This bit is always cleared.
- \* C      Set if bit 47 of the destination operand is set, and cleared otherwise.
- √      Changed according to the standard definition.
- Unchanged by the instruction.

### Instruction Formats and Opcodes

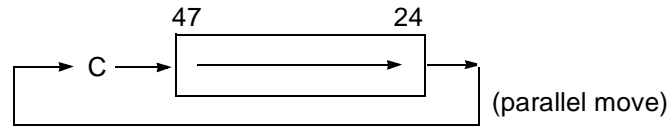


# ROR

## Rotate Right

# ROR

### Operation



### Assembler Syntax

ROR D (parallel move)

### Instruction Fields

{D} d Destination accumulator [A,B] (see **Table 12-13** on page 12-18)

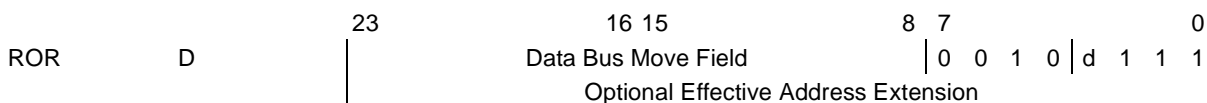
**Description** Rotate bits 47–24 of the destination operand D one bit to the right and store the result in the destination accumulator. The Carry bit (C) receives the previous value of bit 24 of the operand. The previous value of the C bit is shifted into bit 47 of the operand. This instruction is a 24-bit operation. The remaining bits of destination operand D are not affected.

### Condition Codes

7	6	5	4	3	2	1	0
S	L	E	U	N	Z	V	C
√	√	—	—	*	*	*	*
CCR							

- \* N Set if bit 47 of the result is set.
- \* Z Set if bits 47–24 of the result are 0.
- \* V Always cleared.
- \* C Set if bit 47 of the destination operand is set, and cleared otherwise.
- √ Changed according to the standard definition.
- Unchanged by the instruction.

### Instruction Formats and Opcodes



**Operation**

SSH → PC; SSL → SR; SP - 1 → SP

**Assembler Syntax**

RTI

**Instruction Fields** None

**Description** Pull the Program Counter (PC) and the Status Register (SR) from the system stack. The previous PC and SR values are lost.

**Condition Codes**

7	6	5	4	3	2	1	0
S	L	E	U	N	Z	V	C
*	*	*	*	*	*	*	*
CCR							

- \* S Set according to the value pulled from the stack.
- \* L Set according to the value pulled from the stack.
- \* E Set according to the value pulled from the stack.
- \* U Set according to the value pulled from the stack.
- \* N Set according to the value pulled from the stack.
- \* Z Set according to the value pulled from the stack.
- \* V Set according to the value pulled from the stack.
- \* C Set according to the value pulled from the stack.

**Instruction Formats and Opcodes**

	23		16	15		8	7		0
RTI	0	0	0	0	0	0	0	0	0

# RTS

## Return From Subroutine

# RTS

**Operation**

SSH → PC; SP – 1 → SP

**Assembler Syntax**

RTS

**Instruction Fields** None

**Description** Pull the Program Counter (PC) from the system stack. The previous PC value is lost. The Status Register (SR) is not affected.

**Condition Codes**

7	6	5	4	3	2	1	0
S	L	E	U	N	Z	V	C
—	—	—	—	—	—	—	—

CCR

— Unchanged by the instruction.

**Instruction Formats and Opcodes**

RTS	23	16 15	8 7	0
	0 0 0 0 0 0 0 0 0 0 0 0 0 0 0 0 0 0 1 1 0 0			



**Operation**

D – S – C → D

(parallel move)

**Assembler Syntax**

SBC S,D (parallel move)

**Instruction Fields**

- {S} J Source register [X,Y] (see **Table 12-13** on page 12-18)  
 {D} d Destination accumulator [A,B] (see **Table 12-13** on page 12-18)

**Description** Subtract the source operand S and the Carry bit (C) from the destination operand D and store the result in the destination accumulator. Long words (48-bit words) are subtracted from the 56-bit destination accumulator. Note that the C bit is set correctly for multiple-precision arithmetic using long-word operands if the extension register of the destination accumulator (A2 or B2) is the sign extension of bit 47 of the destination accumulator (A or B).

**Condition Codes**

7	6	5	4	3	2	1	0
S	L	E	U	N	Z	V	C
√	√	√	√	√	√	√	√
CCR							

√ Changed according to the standard definition.

**Instruction Formats and Opcodes**

SBC S,D	<table style="width: 100%; border-collapse: collapse;"> <tr> <td style="text-align: right; padding-right: 5px;">23</td> <td style="text-align: center; padding: 0 10px;">16 15</td> <td style="text-align: center; padding: 0 10px;">8 7</td> <td style="text-align: right; padding-right: 5px;">0</td> </tr> <tr> <td colspan="2" style="text-align: center; padding: 5px 0;">Data Bus Move Field</td> <td style="text-align: center; padding: 5px 0;">  0 0 1 J  </td> <td style="text-align: center; padding: 5px 0;">d 1 0 1</td> </tr> <tr> <td colspan="4" style="text-align: center; padding: 5px 0;">Optional Effective Address Extension</td> </tr> </table>	23	16 15	8 7	0	Data Bus Move Field		0 0 1 J	d 1 0 1	Optional Effective Address Extension			
23	16 15	8 7	0										
Data Bus Move Field		0 0 1 J	d 1 0 1										
Optional Effective Address Extension													

# STOP

## Stop Instruction Processing

# STOP

**Operation**

Enter the stop processing state and stop the clock oscillator

**Assembler Syntax**

STOP

**Instruction Fields** None

**Description** Enter the Stop processing state. All activity in the processor is suspended until the  $\overline{\text{RESET}}$  or  $\overline{\text{IRQA}}$  pin is asserted or the Debug Request JTAG command is detected. The clock oscillator is gated off internally. The Stop processing state is a low-power standby state. During the Stop state, the destination port is in an idle state with the control signals held inactive, the data pins are high impedance, and the address pins are unchanged from the previous instruction. If the exit from the Stop state is caused by a low level on the  $\overline{\text{RESET}}$  pin, then the processor enters the reset processing state. If the exit from the Stop state was caused by a low level on the  $\overline{\text{IRQA}}$  pin, then the processor will service the highest priority pending interrupt and will not service the  $\overline{\text{IRQA}}$  interrupt unless it is highest priority. If no interrupt is pending, the processor will resume program execution at the instruction following the STOP instruction that caused the entry into the Stop state. Program execution (interrupt or normal flow) resumes after an internal delay counter counts:

- If the Stop Delay (SD, OMR[6]) bit is cleared—131,070 clock cycles
- If the Stop Delay (SD, OMR[6]) bit is set—24 clock cycles
- If the Stop Processing State (PSTP, PCTL[5]) is set—8.5 clock cycles

During the clock stabilization count delay, all peripherals and external interrupts are cleared and re-enabled/arbitrated at the end of the count interval. If the  $\overline{\text{IRQA}}$  pin is asserted when the STOP instruction is executed, the clock is not gated off, and only the internal delay counter is started.

**Condition Codes**

7	6	5	4	3	2	1	0
S	L	E	U	N	Z	V	C
—	—	—	—	—	—	—	—
CCR							

— Unchanged by the instruction.



# SUB

## Subtract

# SUB

**Operation**

D-S → D (parallel move)

D - #xx → D

D - #xxxx → D

**Assembler Syntax**

SUB S, D (parallel move)

SUB #xx, D

SUB #xxxx,D

**Instruction Fields**

{S}	JJJ	Source register [B/A,X,Y,X0,Y0,X1,Y1] (see <b>Table 12-13</b> on page 12-18)
{D}	d	Destination accumulator [A/B] (see <b>Table 12-13</b> on page 12-18)
{#xx}	iiii	6-bit Immediate Short Data
{#xxxx}		24-bit Immediate Long Data extension word

**Description** Subtract the source operand from the destination operand D and store the result in the destination operand D. The source can be a register (24-bit word, 48-bit long word, or 56-bit accumulator), 6-bit short immediate, or 24-bit long immediate. When using 6-bit immediate data, the data is interpreted as an unsigned integer. That is, the six bits are right-aligned and the remaining bits are zeroed to form a 16-bit source operand. Note that the Carry bit (C) is set correctly using word or long-word source operands if the extension register of the destination accumulator (A2 or B2) is the sign extension of bit 47 of the destination accumulator (A or B). The C bit is always set correctly using accumulator source operands.

**Condition Codes**

7	6	5	4	3	2	1	0
S	L	E	U	N	Z	V	C
√	√	√	√	√	√	√	√
CCR							

√ Changed according to the standard definition.

# SUB

## Subtract

# SUB

### Instruction Formats and Opcodes



# SUBL

## Shift Left and Subtract Accumulators

# SUBL

### Operation

 $2 * D - S \rightarrow D$  (parallel move)

### Assembler Syntax

SUBL S,D (parallel move)

### Instruction Fields

- {D} **d** Destination accumulator [A,B] (see **Table 12-13** on page 12-18)
- {S} The source accumulator is B if the destination accumulator (selected by the **d** bit in the opcode) is A, or A if the destination accumulator is B

**Description** Subtract the source operand S from two times the destination operand D and store the result in the destination accumulator. The destination operand D is arithmetically shifted one bit to the left, and a 0 is shifted into the LSB of D prior to the subtraction operation. The Carry bit (C) is set correctly if the source operand does not overflow as a result of the left shift operation. The Overflow bit (V) may be set as a result of either the shifting or subtraction operation (or both). This instruction is useful for efficient divide and Decimation-In-Time (DIT) FFT algorithms.

### Condition Codes

7	6	5	4	3	2	1	0
S	L	E	U	N	Z	V	C
√	√	√	√	√	√	*	√
CCR							

- \* V Set if overflow has occurred in the result or if the MS bit of the destination operand is changed as a result of the instruction's left shift.
- √ Changed according to the standard definition.

### Instruction Formats and Opcodes

SUBL S,D	23	16 15	8 7	0
	Data Bus Move Field		0 0 0 1	d 1 1 0
	Optional Effective Address Extension			

# SUBR

## Shift Right and Subtract Accumulators

# SUBR

### Operation

$D / 2 - S \rightarrow D$  (parallel move)

### Assembler Syntax

SUBR S,D (parallel move)

### Instruction Fields

- {D} **d** Destination accumulator [A,B] (see **Table 12-13** on page 12-18)
- {S} The source accumulator is B if the destination accumulator (selected by the **d** bit in the opcode) is A, or A if the destination accumulator is B

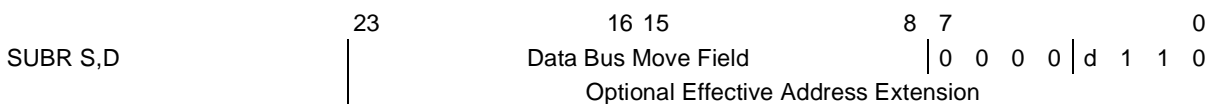
**Description** Subtract the source operand S from one-half the destination operand D and store the result in the destination accumulator. The destination operand D is arithmetically shifted one bit to the right while the MS bit of D is held constant prior to the subtraction operation. In contrast to the SUBL instruction, the Carry bit (C) is always set correctly, and the Overflow bit (V) can only be set by the subtraction operation, and not by an overflow due to the initial shifting operation. This instruction is useful for efficient divide and Decimation-In-Time (DIT) FFT algorithms.

### Condition Codes

7	6	5	4	3	2	1	0
S	L	E	U	N	Z	V	C
√	√	√	√	√	√	√	√
CCR							

√ Changed according to the standard definition.

### Instruction Formats and Opcodes



Operation	Assembler Syntax
If cc, then S1 → D1	Tcc S1,D1
If cc, then S1 → D1 and S2 → D2	Tcc S1,D1 S2,D2
If cc, then S2 → D2	Tcc S2,D2

### Instruction Fields

{cc}	CCCC	Condition code (see <b>Table 12-13</b> on page 12-18)
{S1}	JJJ	Source register [B/A,X0,Y0,X1,Y1] (see <b>Table 12-16</b> on page 12-20)
{D1}	d	Destination accumulator [A/B] (see <b>Table 12-13</b> on page 12-18)
{S2}	ttt	Source address register [R[0-7]]
{D2}	TTT	Destination Address register [R[0-7]]

**Description** Transfer data from the specified source register S1 to the specified destination accumulator D1 if the specified condition is true. If a second source register S2 and a second destination register D2 are also specified, transfer data from address register S2 to address register D2 if the specified condition is true. If the specified condition is false, a NOP is executed. The conditions that “cc” can specify are listed on **Table 12-16** on page 12-20. When used after the CMP or CMPM instructions, the Tcc instruction can perform many useful functions, such as a “maximum value,” “minimum value,” “maximum absolute value,” or “minimum absolute value” function. The desired value is stored in the destination accumulator D1. If address register S2 is used as an address pointer into an array of data, the address of the desired value is stored in the address register D2. The Tcc instruction may be used after any instruction and allows efficient searching and sorting algorithms. The Tcc instruction uses the internal Data ALU paths and internal Address ALU paths. It does not affect the condition code bits.

### Condition Codes

7	6	5	4	3	2	1	0
S	L	E	U	N	Z	V	C
—	—	—	—	—	—	—	—
CCR							

— Unchanged by the instruction.



## Instruction Formats and Opcodes

		23	16 15	8 7	0
Tcc	S1,D1	0 0 0 0 0 0 1 0	C C C C 0 0 0 0	0 J J J d 0 0 0	

		23	16 15	8 7	0
Tcc	S1,D1 S2,D2	0 0 0 0 0 0 1 1	C C C C 0 t t t	0 J J J d T T T	

		23	16 15	8 7	0
Tcc	S2,D2	0 0 0 0 0 0 1 0	C C C C 1 t t t	0 0 0 0 0 T T T	

**Operation**

S → D (parallel move)

**Assembler Syntax**

TFR S,D (parallel move)

**Instruction Fields**

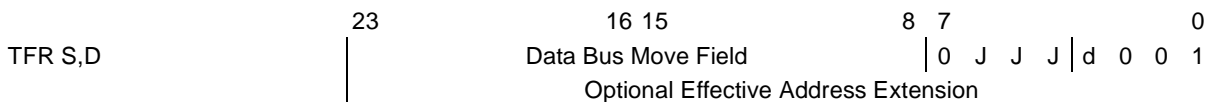
- {S}    **JJJ**    Source register [B/A,X0,Y0,X1,Y1] (see **Table 12-16** on page 12-20)  
 {D}    **d**       Destination accumulator [A/B] (see **Table 12-13** on page 12-18)

**Description** Transfer data from the specified source Data ALU register S to the specified destination Data ALU accumulator D. TFR uses the internal Data ALU data paths; thus, data does not pass through the data shifter/limiters. This allows the full 56-bit contents of one of the accumulators to be transferred into the other accumulator *without* data shifting and/or limiting. Moreover, since TFR uses the internal Data ALU data paths, parallel moves are possible.

**Condition Codes**

7	6	5	4	3	2	1	0
S	L	E	U	N	Z	V	C
√	√	—	—	—	—	—	—
CCR							

- √ Changed according to the standard definition.  
 — Unchanged by the instruction.

**Instruction Formats and Opcodes**

# TRAP

## Software Interrupt

# TRAP

### Operation

Begin trap exception process

### Assembler Syntax

TRAP

### Instruction Fields None

**Description** Suspend normal instruction execution and begin TRAP exception processing. The Interrupt Priority Level (I1,I0) is set to 3 in the Status Register (SR) if a long interrupt service routine is used.

### Condition Codes

7	6	5	4	3	2	1	0
S	L	E	U	N	Z	V	C
—	—	—	—	—	—	—	—
CCR							

— Unchanged by the instruction.

### Instruction Formats and Opcodes

TRAP	<table style="border-collapse: collapse; width: 100%; text-align: center;"> <tr> <td style="width: 5%; padding: 0 5px;">23</td> <td style="width: 10%;"></td> <td style="width: 10%; padding: 0 5px;">16</td> <td style="width: 10%; padding: 0 5px;">15</td> <td style="width: 10%;"></td> <td style="width: 10%; padding: 0 5px;">8</td> <td style="width: 10%; padding: 0 5px;">7</td> <td style="width: 10%;"></td> <td style="width: 5%; padding: 0 5px;">0</td> </tr> <tr> <td style="border-right: 1px solid black; padding-right: 5px;">0</td> <td style="padding-right: 5px;">0</td> <td style="border-right: 1px solid black; padding-right: 5px;">0</td> <td style="padding-right: 5px;">0</td> <td style="border-right: 1px solid black; padding-right: 5px;">0</td> <td style="padding-right: 5px;">0</td> <td style="border-right: 1px solid black; padding-right: 5px;">0</td> <td style="padding-right: 5px;">0</td> <td style="border-right: 1px solid black; padding-right: 5px;">0</td> </tr> <tr> <td style="border-right: 1px solid black; padding-right: 5px;">0</td> <td style="padding-right: 5px;">0</td> <td style="border-right: 1px solid black; padding-right: 5px;">0</td> <td style="padding-right: 5px;">0</td> <td style="border-right: 1px solid black; padding-right: 5px;">0</td> <td style="padding-right: 5px;">0</td> <td style="border-right: 1px solid black; padding-right: 5px;">0</td> <td style="padding-right: 5px;">0</td> <td style="border-right: 1px solid black; padding-right: 5px;">0</td> </tr> <tr> <td style="border-right: 1px solid black; padding-right: 5px;">0</td> <td style="padding-right: 5px;">0</td> <td style="border-right: 1px solid black; padding-right: 5px;">0</td> <td style="padding-right: 5px;">0</td> <td style="border-right: 1px solid black; padding-right: 5px;">0</td> <td style="padding-right: 5px;">0</td> <td style="border-right: 1px solid black; padding-right: 5px;">0</td> <td style="padding-right: 5px;">0</td> <td style="border-right: 1px solid black; padding-right: 5px;">0</td> </tr> <tr> <td style="border-right: 1px solid black; padding-right: 5px;">0</td> <td style="padding-right: 5px;">0</td> <td style="border-right: 1px solid black; padding-right: 5px;">0</td> <td style="padding-right: 5px;">0</td> <td style="border-right: 1px solid black; padding-right: 5px;">0</td> <td style="padding-right: 5px;">0</td> <td style="border-right: 1px solid black; padding-right: 5px;">0</td> <td style="padding-right: 5px;">0</td> <td style="border-right: 1px solid black; padding-right: 5px;">0</td> </tr> <tr> <td style="border-right: 1px solid black; padding-right: 5px;">0</td> <td style="padding-right: 5px;">0</td> <td style="border-right: 1px solid black; padding-right: 5px;">0</td> <td style="padding-right: 5px;">0</td> <td style="border-right: 1px solid black; padding-right: 5px;">0</td> <td style="padding-right: 5px;">0</td> <td style="border-right: 1px solid black; padding-right: 5px;">0</td> <td style="padding-right: 5px;">0</td> <td style="border-right: 1px solid black; padding-right: 5px;">0</td> </tr> <tr> <td style="border-right: 1px solid black; padding-right: 5px;">0</td> <td style="padding-right: 5px;">0</td> <td style="border-right: 1px solid black; padding-right: 5px;">0</td> <td style="padding-right: 5px;">0</td> <td style="border-right: 1px solid black; padding-right: 5px;">0</td> <td style="padding-right: 5px;">0</td> <td style="border-right: 1px solid black; padding-right: 5px;">0</td> <td style="padding-right: 5px;">0</td> <td style="border-right: 1px solid black; padding-right: 5px;">0</td> </tr> <tr> <td style="border-right: 1px solid black; padding-right: 5px;">0</td> <td style="padding-right: 5px;">0</td> <td style="border-right: 1px solid black; padding-right: 5px;">0</td> <td style="padding-right: 5px;">0</td> <td style="border-right: 1px solid black; padding-right: 5px;">0</td> <td style="padding-right: 5px;">0</td> <td style="border-right: 1px solid black; padding-right: 5px;">0</td> <td style="padding-right: 5px;">0</td> <td style="border-right: 1px solid black; padding-right: 5px;">0</td> </tr> <tr> <td style="border-right: 1px solid black; padding-right: 5px;">0</td> <td style="padding-right: 5px;">0</td> <td style="border-right: 1px solid black; padding-right: 5px;">0</td> <td style="padding-right: 5px;">0</td> <td style="border-right: 1px solid black; padding-right: 5px;">0</td> <td style="padding-right: 5px;">0</td> <td style="border-right: 1px solid black; padding-right: 5px;">0</td> <td style="padding-right: 5px;">0</td> <td style="border-right: 1px solid black; padding-right: 5px;">0</td> </tr> <tr> <td style="border-right: 1px solid black; padding-right: 5px;">0</td> <td style="padding-right: 5px;">0</td> <td style="border-right: 1px solid black; padding-right: 5px;">0</td> <td style="padding-right: 5px;">0</td> <td style="border-right: 1px solid black; padding-right: 5px;">0</td> <td style="padding-right: 5px;">0</td> <td style="border-right: 1px solid black; padding-right: 5px;">0</td> <td style="padding-right: 5px;">0</td> <td style="border-right: 1px solid black; padding-right: 5px;">0</td> </tr> <tr> <td style="border-right: 1px solid black; padding-right: 5px;">0</td> <td style="padding-right: 5px;">0</td> <td style="border-right: 1px solid black; padding-right: 5px;">0</td> <td style="padding-right: 5px;">0</td> <td style="border-right: 1px solid black; padding-right: 5px;">0</td> <td style="padding-right: 5px;">0</td> <td style="border-right: 1px solid black; padding-right: 5px;">0</td> <td style="padding-right: 5px;">0</td> <td style="border-right: 1px solid black; padding-right: 5px;">0</td> </tr> <tr> <td style="border-right: 1px solid black; padding-right: 5px;">0</td> <td style="padding-right: 5px;">0</td> <td style="border-right: 1px solid black; padding-right: 5px;">0</td> <td style="padding-right: 5px;">0</td> <td style="border-right: 1px solid black; padding-right: 5px;">0</td> <td style="padding-right: 5px;">0</td> <td style="border-right: 1px solid black; padding-right: 5px;">0</td> <td style="padding-right: 5px;">0</td> <td style="border-right: 1px solid black; padding-right: 5px;">0</td> </tr> <tr> <td style="border-right: 1px solid black; padding-right: 5px;">0</td> <td style="padding-right: 5px;">0</td> <td style="border-right: 1px solid black; padding-right: 5px;">0</td> <td style="padding-right: 5px;">0</td> <td style="border-right: 1px solid black; padding-right: 5px;">0</td> <td style="padding-right: 5px;">0</td> <td style="border-right: 1px solid black; padding-right: 5px;">0</td> <td style="padding-right: 5px;">0</td> <td style="border-right: 1px solid black; padding-right: 5px;">0</td> </tr> <tr> <td style="border-right: 1px solid black; padding-right: 5px;">0</td> <td style="padding-right: 5px;">0</td> <td style="border-right: 1px solid black; padding-right: 5px;">0</td> <td style="padding-right: 5px;">0</td> <td style="border-right: 1px solid black; padding-right: 5px;">0</td> <td style="padding-right: 5px;">0</td> <td style="border-right: 1px solid black; padding-right: 5px;">0</td> <td style="padding-right: 5px;">0</td> <td style="border-right: 1px solid black; padding-right: 5px;">0</td> </tr> <tr> <td style="border-right: 1px solid black; padding-right: 5px;">0</td> <td style="padding-right: 5px;">0</td> <td style="border-right: 1px solid black; padding-right: 5px;">0</td> <td style="padding-right: 5px;">0</td> <td style="border-right: 1px solid black; padding-right: 5px;">0</td> <td style="padding-right: 5px;">0</td> <td style="border-right: 1px solid black; padding-right: 5px;">0</td> <td style="padding-right: 5px;">0</td> <td style="border-right: 1px solid black; padding-right: 5px;">0</td> </tr> <tr> <td style="border-right: 1px solid black; padding-right: 5px;">0</td> <td style="padding-right: 5px;">0</td> <td style="border-right: 1px solid black; padding-right: 5px;">0</td> <td style="padding-right: 5px;">0</td> <td style="border-right: 1px solid black; padding-right: 5px;">0</td> <td style="padding-right: 5px;">0</td> <td style="border-right: 1px solid black; padding-right: 5px;">0</td> <td style="padding-right: 5px;">0</td> <td style="border-right: 1px solid black; padding-right: 5px;">0</td> </tr> <tr> <td style="border-right: 1px solid black; padding-right: 5px;">0</td> <td style="padding-right: 5px;">0</td> <td style="border-right: 1px solid black; padding-right: 5px;">0</td> <td style="padding-right: 5px;">0</td> <td style="border-right: 1px solid black; padding-right: 5px;">0</td> <td style="padding-right: 5px;">0</td> <td style="border-right: 1px solid black; padding-right: 5px;">0</td> <td style="padding-right: 5px;">0</td> <td style="border-right: 1px solid black; padding-right: 5px;">0</td> </tr> <tr> <td style="border-right: 1px solid black; padding-right: 5px;">0</td> <td style="padding-right: 5px;">0</td> <td style="border-right: 1px solid black; padding-right: 5px;">0</td> <td style="padding-right: 5px;">0</td> <td style="border-right: 1px solid black; padding-right: 5px;">0</td> <td style="padding-right: 5px;">0</td> <td style="border-right: 1px solid black; padding-right: 5px;">0</td> <td style="padding-right: 5px;">0</td> <td style="border-right: 1px solid black; padding-right: 5px;">0</td> </tr> <tr> <td style="border-right: 1px solid black; padding-right: 5px;">0</td> <td style="padding-right: 5px;">0</td> <td style="border-right: 1px solid black; padding-right: 5px;">0</td> <td style="padding-right: 5px;">0</td> <td style="border-right: 1px solid black; padding-right: 5px;">0</td> <td style="padding-right: 5px;">0</td> <td style="border-right: 1px solid black; padding-right: 5px;">0</td> <td style="padding-right: 5px;">0</td> <td style="border-right: 1px solid black; padding-right: 5px;">0</td> </tr> <tr> <td style="border-right: 1px solid black; padding-right: 5px;">0</td> <td style="padding-right: 5px;">0</td> <td style="border-right: 1px solid black; padding-right: 5px;">0</td> <td style="padding-right: 5px;">0</td> <td style="border-right: 1px solid black; padding-right: 5px;">0</td> <td style="padding-right: 5px;">0</td> <td style="border-right: 1px solid black; padding-right: 5px;">0</td> <td style="padding-right: 5px;">0</td> <td style="border-right: 1px solid black; padding-right: 5px;">0</td> </tr> <tr> <td style="border-right: 1px solid black; padding-right: 5px;">0</td> <td style="padding-right: 5px;">0</td> <td style="border-right: 1px solid black; padding-right: 5px;">0</td> <td style="padding-right: 5px;">0</td> <td style="border-right: 1px solid black; padding-right: 5px;">0</td> <td style="padding-right: 5px;">0</td> <td style="border-right: 1px solid black; padding-right: 5px;">0</td> <td style="padding-right: 5px;">0</td> <td style="border-right: 1px solid black; padding-right: 5px;">0</td> </tr> <tr> <td style="border-right: 1px solid black; padding-right: 5px;">0</td> <td style="padding-right: 5px;">0</td> <td style="border-right: 1px solid black; padding-right: 5px;">0</td> <td style="padding-right: 5px;">0</td> <td style="border-right: 1px solid black; padding-right: 5px;">0</td> <td style="padding-right: 5px;">0</td> <td style="border-right: 1px solid black; padding-right: 5px;">0</td> <td style="padding-right: 5px;">0</td> <td style="border-right: 1px solid black; padding-right: 5px;">0</td> </tr> <tr> <td style="border-right: 1px solid black; padding-right: 5px;">0</td> <td style="padding-right: 5px;">0</td> <td style="border-right: 1px solid black; padding-right: 5px;">0</td> <td style="padding-right: 5px;">0</td> <td style="border-right: 1px solid black; padding-right: 5px;">0</td> <td style="padding-right: 5px;">0</td> <td style="border-right: 1px solid black; padding-right: 5px;">0</td> <td style="padding-right: 5px;">0</td> <td style="border-right: 1px solid black; padding-right: 5px;">0</td> </tr> <tr> <td style="border-right: 1px solid black; padding-right: 5px;">0</td> <td style="padding-right: 5px;">0</td> <td style="border-right: 1px solid black; padding-right: 5px;">0</td> <td style="padding-right: 5px;">0</td> <td style="border-right: 1px solid black; padding-right: 5px;">0</td> <td style="padding-right: 5px;">0</td> <td style="border-right: 1px solid black; padding-right: 5px;">0</td> <td style="padding-right: 5px;">0</td> <td style="border-right: 1px solid black; padding-right: 5px;">0</td> </tr> <tr> <td style="border-right: 1px solid black; padding-right: 5px;">0</td> <td style="padding-right: 5px;">0</td> <td style="border-right: 1px solid black; padding-right: 5px;">0</td> <td style="padding-right: 5px;">0</td> <td style="border-right: 1px solid black; padding-right: 5px;">0</td> <td style="padding-right: 5px;">0</td> <td style="border-right: 1px solid black; padding-right: 5px;">0</td> <td style="padding-right: 5px;">0</td> <td style="border-right: 1px solid black; padding-right: 5px;">0</td> </tr> <tr> <td style="border-right: 1px solid black; padding-right: 5px;">0</td> <td style="padding-right: 5px;">0</td> <td style="border-right: 1px solid black; padding-right: 5px;">0</td> <td style="padding-right: 5px;">0</td> <td style="border-right: 1px solid black; padding-right: 5px;">0</td> <td style="padding-right: 5px;">0</td> <td style="border-right: 1px solid black; padding-right: 5px;">0</td> <td style="padding-right: 5px;">0</td> <td style="border-right: 1px solid black; padding-right: 5px;">0</td> </tr> <tr> <td style="border-right: 1px solid black; padding-right: 5px;">0</td> <td style="padding-right: 5px;">0</td> <td style="border-right: 1px solid black; padding-right: 5px;">0</td> <td style="padding-right: 5px;">0</td> <td style="border-right: 1px solid black; padding-right: 5px;">0</td> <td style="padding-right: 5px;">0</td> <td style="border-right: 1px solid black; padding-right: 5px;">0</td> <td style="padding-right: 5px;">0</td> <td style="border-right: 1px solid black; padding-right: 5px;">0</td> </tr> <tr> <td style="border-right: 1px solid black; padding-right: 5px;">0</td> <td style="padding-right: 5px;">0</td> <td style="border-right: 1px solid black; padding-right: 5px;">0</td> <td style="padding-right: 5px;">0</td> <td style="border-right: 1px solid black; padding-right: 5px;">0</td> <td style="padding-right: 5px;">0</td> <td style="border-right: 1px solid black; padding-right: 5px;">0</td> <td style="padding-right: 5px;">0</td> <td style="border-right: 1px solid black; padding-right: 5px;">0</td> </tr> <tr> <td style="border-right: 1px solid black; padding-right: 5px;">0</td> <td style="padding-right: 5px;">0</td> <td style="border-right: 1px solid black; padding-right: 5px;">0</td> <td style="padding-right: 5px;">0</td> <td style="border-right: 1px solid black; padding-right: 5px;">0</td> <td style="padding-right: 5px;">0</td> <td style="border-right: 1px solid black; padding-right: 5px;">0</td> <td style="padding-right: 5px;">0</td> <td style="border-right: 1px solid black; padding-right: 5px;">0</td> </tr> <tr> <td style="border-right: 1px solid black; padding-right: 5px;">0</td> <td style="padding-right: 5px;">0</td> <td style="border-right: 1px solid black; padding-right: 5px;">0</td> <td style="padding-right: 5px;">0</td> <td style="border-right: 1px solid black; padding-right: 5px;">0</td> <td style="padding-right: 5px;">0</td> <td style="border-right: 1px solid black; padding-right: 5px;">0</td> <td style="padding-right: 5px;">0</td> <td style="border-right: 1px solid black; padding-right: 5px;">0</td> </tr> <tr> <td style="border-right: 1px solid black; padding-right: 5px;">0</td> <td style="padding-right: 5px;">0</td> <td style="border-right: 1px solid black; padding-right: 5px;">0</td> <td style="padding-right: 5px;">0</td> <td style="border-right: 1px solid black; padding-right: 5px;">0</td> <td style="padding-right: 5px;">0</td> <td style="border-right: 1px solid black; padding-right: 5px;">0</td> <td style="padding-right: 5px;">0</td> <td style="border-right: 1px solid black; padding-right: 5px;">0</td> </tr> <tr> <td style="border-right: 1px solid black; padding-right: 5px;">0</td> <td style="padding-right: 5px;">0</td> <td style="border-right: 1px solid black; padding-right: 5px;">0</td> <td style="padding-right: 5px;">0</td> <td style="border-right: 1px solid black; padding-right: 5px;">0</td> <td style="padding-right: 5px;">0</td> <td style="border-right: 1px solid black; padding-right: 5px;">0</td> <td style="padding-right: 5px;">0</td> <td style="border-right: 1px solid black; padding-right: 5px;">0</td> </tr> <tr> <td style="border-right: 1px solid black; padding-right: 5px;">0</td> <td style="padding-right: 5px;">0</td> <td style="border-right: 1px solid black; padding-right: 5px;">0</td> <td style="padding-right: 5px;">0</td> <td style="border-right: 1px solid black; padding-right: 5px;">0</td> <td style="padding-right: 5px;">0</td> <td style="border-right: 1px solid black; padding-right: 5px;">0</td> <td style="padding-right: 5px;">0</td> <td style="border-right: 1px solid black; padding-right: 5px;">0</td> </tr> <tr> <td style="border-right: 1px solid black; padding-right: 5px;">0</td> <td style="padding-right: 5px;">0</td> <td style="border-right: 1px solid black; padding-right: 5px;">0</td> <td style="padding-right: 5px;">0</td> <td style="border-right: 1px solid black; padding-right: 5px;">0</td> <td style="padding-right: 5px;">0</td> <td style="border-right: 1px solid black; padding-right: 5px;">0</td> <td style="padding-right: 5px;">0</td> <td style="border-right: 1px solid black; padding-right: 5px;">0</td> </tr> <tr> <td style="border-right: 1px solid black; padding-right: 5px;">0</td> <td style="padding-right: 5px;">0</td> <td style="border-right: 1px solid black; padding-right: 5px;">0</td> <td style="padding-right: 5px;">0</td> <td style="border-right: 1px solid black; padding-right: 5px;">0</td> <td style="padding-right: 5px;">0</td> <td style="border-right: 1px solid black; padding-right: 5px;">0</td> <td style="padding-right: 5px;">0</td> <td style="border-right: 1px solid black; padding-right: 5px;">0</td> </tr> <tr> <td style="border-right: 1px solid black; padding-right: 5px;">0</td> <td style="padding-right: 5px;">0</td> <td style="border-right: 1px solid black; padding-right: 5px;">0</td> <td style="padding-right: 5px;">0</td> <td style="border-right: 1px solid black; padding-right: 5px;">0</td> <td style="padding-right: 5px;">0</td> <td style="border-right: 1px solid black; padding-right: 5px;">0</td> <td style="padding-right: 5px;">0</td> <td style="border-right: 1px solid black; padding-right: 5px;">0</td> </tr> <tr> <td style="border-right: 1px solid black; padding-right: 5px;">0</td> <td style="padding-right: 5px;">0</td> <td style="border-right: 1px solid black; padding-right: 5px;">0</td> <td style="padding-right: 5px;">0</td> <td style="border-right: 1px solid black; padding-right: 5px;">0</td> <td style="padding-right: 5px;">0</td> <td style="border-right: 1px solid black; padding-right: 5px;">0</td> <td style="padding-right: 5px;">0</td> <td style="border-right: 1px solid black; padding-right: 5px;">0</td> </tr> <tr> <td style="border-right: 1px solid black; padding-right: 5px;">0</td> <td style="padding-right: 5px;">0</td> <td style="border-right: 1px solid black; padding-right: 5px;">0</td> <td style="padding-right: 5px;">0</td> <td style="border-right: 1px solid black; padding-right: 5px;">0</td> <td style="padding-right: 5px;">0</td> <td style="border-right: 1px solid black; padding-right: 5px;">0</td> <td style="padding-right: 5px;">0</td> <td style="border-right: 1px solid black; padding-right: 5px;">0</td> </tr> <tr> <td style="border-right: 1px solid black; padding-right: 5px;">0</td> <td style="padding-right: 5px;">0</td> <td style="border-right: 1px solid black; padding-right: 5px;">0</td> <td style="padding-right: 5px;">0</td> <td style="border-right: 1px solid black; padding-right: 5px;">0</td> <td style="padding-right: 5px;">0</td> <td style="border-right: 1px solid black; padding-right: 5px;">0</td> <td style="padding-right: 5px;">0</td> <td style="border-right: 1px solid black; padding-right: 5px;">0</td> </tr> <tr> <td style="border-right: 1px solid black; padding-right: 5px;">0</td> <td style="padding-right: 5px;">0</td> <td style="border-right: 1px solid black; padding-right: 5px;">0</td> <td style="padding-right: 5px;">0</td> <td style="border-right: 1px solid black; padding-right: 5px;">0</td> <td style="padding-right: 5px;">0</td> <td style="border-right: 1px solid black; padding-right: 5px;">0</td> <td style="padding-right: 5px;">0</td> <td style="border-right: 1px solid black; padding-right: 5px;">0</td> </tr> <tr> <td style="border-right: 1px solid black; padding-right: 5px;">0</td> <td style="padding-right: 5px;">0</td> <td style="border-right: 1px solid black; padding-right: 5px;">0</td> <td style="padding-right: 5px;">0</td> <td style="border-right: 1px solid black; padding-right: 5px;">0</td> <td style="padding-right: 5px;">0</td> <td style="border-right: 1px solid black; padding-right: 5px;">0</td> <td style="padding-right: 5px;">0</td> <td style="border-right: 1px solid black; padding-right: 5px;">0</td> </tr> <tr> <td style="border-right: 1px solid black; padding-right: 5px;">0</td> <td style="padding-right: 5px;">0</td> <td style="border-right: 1px solid black; padding-right: 5px;">0</td> <td style="padding-right: 5px;">0</td> <td style="border-right: 1px solid black; padding-right: 5px;">0</td> <td style="padding-right: 5px;">0</td> <td style="border-right: 1px solid black; padding-right: 5px;">0</td> <td style="padding-right: 5px;">0</td> <td style="border-right: 1px solid black; padding-right: 5px;">0</td> </tr> <tr> <td style="border-right: 1px solid black; padding-right: 5px;">0</td> <td style="padding-right: 5px;">0</td> <td style="border-right: 1px solid black; padding-right: 5px;">0</td> <td style="padding-right: 5px;">0</td> <td style="border-right: 1px solid black; padding-right: 5px;">0</td> <td style="padding-right: 5px;">0</td> <td style="border-right: 1px solid black; padding-right: 5px;">0</td> <td style="padding-right: 5px;">0</td> <td style="border-right: 1px solid black; padding-right: 5px;">0</td> </tr> <tr> <td style="border-right: 1px solid black; padding-right: 5px;">0</td> <td style="padding-right: 5px;">0</td> <td style="border-right: 1px solid black; padding-right: 5px;">0</td> <td style="padding-right: 5px;">0</td> <td style="border-right: 1px solid black; padding-right: 5px;">0</td> <td style="padding-right: 5px;">0</td> <td style="border-right: 1px solid black; padding-right: 5px;">0</td> <td style="padding-right: 5px;">0</td> <td style="border-right: 1px solid black; padding-right: 5px;">0</td> </tr> <tr> <td style="border-right: 1px solid black; padding-right: 5px;">0</td> <td style="padding-right: 5px;">0</td> <td style="border-right: 1px solid black; padding-right: 5px;">0</td> <td style="padding-right: 5px;">0</td> <td style="border-right: 1px solid black; padding-right: 5px;">0</td> <td style="padding-right: 5px;">0</td> <td style="border-right: 1px solid black; padding-right: 5px;">0</td> <td style="padding-right: 5px;">0</td> <td style="border-right: 1px solid black; padding-right: 5px;">0</td> </tr> <tr> <td style="border-right: 1px solid black; padding-right: 5px;">0</td> <td style="padding-right: 5px;">0</td> <td style="border-right: 1px solid black; padding-right: 5px;">0</td> <td style="padding-right: 5px;">0</td> <td style="border-right: 1px solid black; padding-right: 5px;">0</td> <td style="padding-right: 5px;">0</td> <td style="border-right: 1px solid black; padding-right: 5px;">0</td> <td style="padding-right: 5px;">0</td> <td style="border-right: 1px solid black; padding-right: 5px;">0</td> </tr> <tr> <td style="border-right: 1px solid black; padding-right: 5px;">0</td> <td style="padding-right: 5px;">0</td> <td style="border-right: 1px solid black; padding-right: 5px;">0</td> <td style="padding-right: 5px;">0</td> <td style="border-right: 1px solid black; padding-right: 5px;">0</td> <td style="padding-right: 5px;">0</td> <td style="border-right: 1px solid black; padding-right: 5px;">0</td> <td style="padding-right: 5px;">0</td> <td style="border-right: 1px solid black; padding-right: 5px;">0</td> </tr> <tr> <td style="border-right: 1px solid black; padding-right: 5px;">0</td> <td style="padding-right: 5px;">0</td> <td style="border-right: 1px solid black; padding-right: 5px;">0</td> <td style="padding-right: 5px;">0</td> <td style="border-right: 1px solid black; padding-right: 5px;">0</td> <td style="padding-right: 5px;">0</td> <td style="border-right: 1px solid black; padding-right: 5px;">0</td> <td style="padding-right: 5px;">0</td> <td style="border-right: 1px solid black; padding-right: 5px;">0</td> </tr> <tr> <td style="border-right: 1px solid black; padding-right: 5px;">0</td> <td style="padding-right: 5px;">0</td> <td style="border-right: 1px solid black; padding-right: 5px;">0</td> <td style="padding-right: 5px;">0</td> <td style="border-right: 1px solid black; padding-right: 5px;">0</td> <td style="padding-right: 5px;">0</td> <td style="border-right: 1px solid black; padding-right: 5px;">0</td> <td style="padding-right: 5px;">0</td> <td style="border-right: 1px solid black; padding-right: 5px;">0</td> </tr> <tr> <td style="border-right: 1px solid black; padding-right: 5px;">0</td> <td style="padding-right: 5px;">0</td> <td style="border-right: 1px solid black; padding-right: 5px;">0</td> <td style="padding-right: 5px;">0</td> <td style="border-right: 1px solid black; padding-right: 5px;">0</td> <td style="padding-right: 5px;">0</td> <td style="border-right: 1px solid black; padding-right: 5px;">0</td> <td style="padding-right: 5px;">0</td> <td style="border-right: 1px solid black; padding-right: 5px;">0</td> </tr> <tr> <td style="border-right: 1px solid black; padding-right: 5px;">0</td> <td style="padding-right: 5px;">0</td> <td style="border-right: 1px solid black; padding-right: 5px;">0</td> <td style="padding-right: 5px;">0</td> <td style="border-right: 1px solid black; padding-right: 5px;">0</td> <td style="padding-right: 5px;">0</td> <td style="border-right: 1px solid black; padding-right: 5px;">0</td> <td style="padding-right: 5px;">0</td> <td style="border-right: 1px solid black; padding-right: 5px;">0</td> </tr> <tr> <td style="border-right: 1px solid black; padding-right: 5px;">0</td> <td style="padding-right: 5px;">0</td> <td style="border-right: 1px solid black; padding-right: 5px;">0</td> <td style="padding-right: 5px;">0</td> <td style="border-right: 1px solid black; padding-right: 5px;">0</td> <td style="padding-right: 5px;">0</td> <td style="border-right: 1px solid black; padding-right: 5px;">0</td> <td style="padding-right: 5px;">0</td> <td style="border-right: 1px solid black; padding-right: 5px;">0</td> </tr> <tr> <td style="border-right: 1px solid black; padding-right: 5px;">0</td> <td style="padding-right: 5px;">0</td> <td style="border-right: 1px solid black; padding-right: 5px;">0</td> <td style="padding-right: 5px;">0</td> <td style="border-right: 1px solid black; padding-right: 5px;">0</td> <td style="padding-right: 5px;">0</td> <td style="border-right: 1px solid black; padding-right: 5px;">0</td> <td style="padding-right: 5px;">0</td> <td style="border-right: 1px solid black; padding-right: 5px;">0</td> </tr> <tr> <td style="border-right: 1px solid black; padding-right: 5px;">0</td> <td style="padding-right: 5px;">0</td> <td style="border-right: 1px solid black; padding-right: 5px;">0</td> <td style="padding-right: 5px;">0</td> <td style="border-right: 1px solid black; padding-right: 5px;">0</td> <td style="padding-right: 5px;">0</td> <td style="border-right: 1px solid black; padding-right: 5px;">0</td> <td style="padding-right: 5px;">0</td> <td style="border-right: 1px solid black; padding-right: 5px;">0</td> </tr> <tr> <td style="border-right: 1px solid black; padding-right: 5px;">0</td> <td style="padding-right: 5px;">0</td> <td style="border-right: 1px solid black; padding-right: 5px;">0</td> <td style="padding-right: 5px;">0</td> <td style="border-right: 1px solid black; padding-right: 5px;">0</td> <td style="padding-right: 5px;">0</td> <td style="border-right: 1px solid black; padding-right: 5px;">0</td> <td style="padding-right: 5px;">0</td> <td style="border-right: 1px solid black; padding-right: 5px;">0</td> </tr> <tr> <td style="border-right: 1px solid black; padding-right: 5px;">0</td> <td style="padding-right: 5px;">0</td> <td style="border-right: 1px solid black; padding-right: 5px;">0</td> <td style="padding-right: 5px;">0</td> <td style="border-right: 1px solid black; padding-right: 5px;">0</td> <td style="padding-right: 5px;">0</td> <td style="border-right: 1px solid black; padding-right: 5px;">0</td> <td style="padding-right: 5px;">0</td> <td style="border-right: 1px solid black; padding-right: 5px;">0</td> </tr> <tr> <td style="border-right: 1px solid black; padding-right: 5px;">0</td> <td style="padding-right: 5px;">0</td> <td style="border-right: 1px solid black; padding-right: 5px;">0</td> <td style="padding-right: 5px;">0</td> <td style="border-right: 1px solid black; padding-right: 5px;">0</td> <td style="padding-right: 5px;">0</td> <td style="border-right: 1px solid black; padding-right: 5px;">0</td> <td style="padding-right: 5px;">0</td> <td style="border-right: 1px solid black; padding-right: 5px;">0</td> </tr> <tr> <td style="border-right: 1px solid black; padding-right: 5px;">0</td> <td style="padding-right: 5px;">0</td> <td style="border-right: 1px solid black; padding-right: 5px;">0</td> <td style="padding-right: 5px;">0</td> <td style="border-right: 1px solid black; padding-right: 5px;">0</td> <td style="padding-right: 5px;">0</td> <td style="border-right: 1px solid black; padding-right: 5px;">0</td> <td style="padding-right: 5px;">0</td> <td style="border-right: 1px solid black; padding-right: 5px;">0</td> </tr> <tr> <td style="border-right: 1px solid black; padding-right: 5px;">0</td> <td style="padding-right: 5px;">0</td> <td style="border-right: 1px solid black; padding-right: 5px;">0</td> <td style="padding-right: 5px;">0</td> <td style="border-right: 1px solid black; padding-right: 5px;">0</td> <td style="padding-right: 5px;">0</td> <td style="border-right: 1px solid black; padding-right: 5px;">0</td> <td style="padding-right: 5px;">0</td> <td style="border-right: 1px solid black; padding-right: 5px;">0</td> </tr> <tr> <td style="border-right: 1px solid black; padding-right: 5px;">0</td> <td style="padding-right: 5px;">0</td> <td style="border-right: 1px solid black; padding-right: 5px;">0</td> <td style="padding-right: 5px;">0</td> <td style="border-right: 1px solid black; padding-right: 5px;">0</td> <td style="padding-right: 5px;">0&lt;/</td></tr></table>	23		16	15		8	7		0	0	0	0	0	0	0	0	0	0	0	0	0	0	0	0	0	0	0	0	0	0	0	0	0	0	0	0	0	0	0	0	0	0	0	0	0	0	0	0	0	0	0	0	0	0	0	0	0	0	0	0	0	0	0	0	0	0	0	0	0	0	0	0	0	0	0	0	0	0	0	0	0	0	0	0	0	0	0	0	0	0	0	0	0	0	0	0	0	0	0	0	0	0	0	0	0	0	0	0	0	0	0	0	0	0	0	0	0	0	0	0	0	0	0	0	0	0	0	0	0	0	0	0	0	0	0	0	0	0	0	0	0	0	0	0	0	0	0	0	0	0	0	0	0	0	0	0	0	0	0	0	0	0	0	0	0	0	0	0	0	0	0	0	0	0	0	0	0	0	0	0	0	0	0	0	0	0	0	0	0	0	0	0	0	0	0	0	0	0	0	0	0	0	0	0	0	0	0	0	0	0	0	0	0	0	0	0	0	0	0	0	0	0	0	0	0	0	0	0	0	0	0	0	0	0	0	0	0	0	0	0	0	0	0	0	0	0	0	0	0	0	0	0	0	0	0	0	0	0	0	0	0	0	0	0	0	0	0	0	0	0	0	0	0	0	0	0	0	0	0	0	0	0	0	0	0	0	0	0	0	0	0	0	0	0	0	0	0	0	0	0	0	0	0	0	0	0	0	0	0	0	0	0	0	0	0	0	0	0	0	0	0	0	0	0	0	0	0	0	0	0	0	0	0	0	0	0	0	0	0	0	0	0	0	0	0	0	0	0	0	0	0	0	0	0	0	0	0	0	0	0	0	0	0	0	0	0	0	0	0	0	0	0	0	0	0	0	0	0	0	0	0	0	0	0	0	0	0	0	0	0	0	0	0	0	0	0	0	0	0	0	0	0	0	0	0	0	0	0	0	0	0	0	0	0	0	0	0	0	0	0	0	0	0	0	0	0	0	0	0	0	0	0	0	0	0	0	0	0	0	0	0	0	0	0	0	0	0	0	0	0	0	0	0	0	0	0	0	0	0	0	0	0	0	0	0	0	0	0	0	0	0	0	0	0	0	0	0	0	0	0	0	0	0	0	0	0	0	0	0	0	0	0	0	0	0	0	0	0	0	0	0	0	0	0	0	0	0	0	0	0	0	0	0	0	0	0	0	0	0	0	0	0	0	0	0	0	0	0	0	0	0	0	0	0	0	0	0</
23		16	15		8	7		0																																																																																																																																																																																																																																																																																																																																																																																																																																																																																																																																																		
0	0	0	0	0	0	0	0	0																																																																																																																																																																																																																																																																																																																																																																																																																																																																																																																																																		
0	0	0	0	0	0	0	0	0																																																																																																																																																																																																																																																																																																																																																																																																																																																																																																																																																		
0	0	0	0	0	0	0	0	0																																																																																																																																																																																																																																																																																																																																																																																																																																																																																																																																																		
0	0	0	0	0	0	0	0	0																																																																																																																																																																																																																																																																																																																																																																																																																																																																																																																																																		
0	0	0	0	0	0	0	0	0																																																																																																																																																																																																																																																																																																																																																																																																																																																																																																																																																		
0	0	0	0	0	0	0	0	0																																																																																																																																																																																																																																																																																																																																																																																																																																																																																																																																																		
0	0	0	0	0	0	0	0	0																																																																																																																																																																																																																																																																																																																																																																																																																																																																																																																																																		
0	0	0	0	0	0	0	0	0																																																																																																																																																																																																																																																																																																																																																																																																																																																																																																																																																		
0	0	0	0	0	0	0	0	0																																																																																																																																																																																																																																																																																																																																																																																																																																																																																																																																																		
0	0	0	0	0	0	0	0	0																																																																																																																																																																																																																																																																																																																																																																																																																																																																																																																																																		
0	0	0	0	0	0	0	0	0																																																																																																																																																																																																																																																																																																																																																																																																																																																																																																																																																		
0	0	0	0	0	0	0	0	0																																																																																																																																																																																																																																																																																																																																																																																																																																																																																																																																																		
0	0	0	0	0	0	0	0	0																																																																																																																																																																																																																																																																																																																																																																																																																																																																																																																																																		
0	0	0	0	0	0	0	0	0																																																																																																																																																																																																																																																																																																																																																																																																																																																																																																																																																		
0	0	0	0	0	0	0	0	0																																																																																																																																																																																																																																																																																																																																																																																																																																																																																																																																																		
0	0	0	0	0	0	0	0	0																																																																																																																																																																																																																																																																																																																																																																																																																																																																																																																																																		
0	0	0	0	0	0	0	0	0																																																																																																																																																																																																																																																																																																																																																																																																																																																																																																																																																		
0	0	0	0	0	0	0	0	0																																																																																																																																																																																																																																																																																																																																																																																																																																																																																																																																																		
0	0	0	0	0	0	0	0	0																																																																																																																																																																																																																																																																																																																																																																																																																																																																																																																																																		
0	0	0	0	0	0	0	0	0																																																																																																																																																																																																																																																																																																																																																																																																																																																																																																																																																		
0	0	0	0	0	0	0	0	0																																																																																																																																																																																																																																																																																																																																																																																																																																																																																																																																																		
0	0	0	0	0	0	0	0	0																																																																																																																																																																																																																																																																																																																																																																																																																																																																																																																																																		
0	0	0	0	0	0	0	0	0																																																																																																																																																																																																																																																																																																																																																																																																																																																																																																																																																		
0	0	0	0	0	0	0	0	0																																																																																																																																																																																																																																																																																																																																																																																																																																																																																																																																																		
0	0	0	0	0	0	0	0	0																																																																																																																																																																																																																																																																																																																																																																																																																																																																																																																																																		
0	0	0	0	0	0	0	0	0																																																																																																																																																																																																																																																																																																																																																																																																																																																																																																																																																		
0	0	0	0	0	0	0	0	0																																																																																																																																																																																																																																																																																																																																																																																																																																																																																																																																																		
0	0	0	0	0	0	0	0	0																																																																																																																																																																																																																																																																																																																																																																																																																																																																																																																																																		
0	0	0	0	0	0	0	0	0																																																																																																																																																																																																																																																																																																																																																																																																																																																																																																																																																		
0	0	0	0	0	0	0	0	0																																																																																																																																																																																																																																																																																																																																																																																																																																																																																																																																																		
0	0	0	0	0	0	0	0	0																																																																																																																																																																																																																																																																																																																																																																																																																																																																																																																																																		
0	0	0	0	0	0	0	0	0																																																																																																																																																																																																																																																																																																																																																																																																																																																																																																																																																		
0	0	0	0	0	0	0	0	0																																																																																																																																																																																																																																																																																																																																																																																																																																																																																																																																																		
0	0	0	0	0	0	0	0	0																																																																																																																																																																																																																																																																																																																																																																																																																																																																																																																																																		
0	0	0	0	0	0	0	0	0																																																																																																																																																																																																																																																																																																																																																																																																																																																																																																																																																		
0	0	0	0	0	0	0	0	0																																																																																																																																																																																																																																																																																																																																																																																																																																																																																																																																																		
0	0	0	0	0	0	0	0	0																																																																																																																																																																																																																																																																																																																																																																																																																																																																																																																																																		
0	0	0	0	0	0	0	0	0																																																																																																																																																																																																																																																																																																																																																																																																																																																																																																																																																		
0	0	0	0	0	0	0	0	0																																																																																																																																																																																																																																																																																																																																																																																																																																																																																																																																																		
0	0	0	0	0	0	0	0	0																																																																																																																																																																																																																																																																																																																																																																																																																																																																																																																																																		
0	0	0	0	0	0	0	0	0																																																																																																																																																																																																																																																																																																																																																																																																																																																																																																																																																		
0	0	0	0	0	0	0	0	0																																																																																																																																																																																																																																																																																																																																																																																																																																																																																																																																																		
0	0	0	0	0	0	0	0	0																																																																																																																																																																																																																																																																																																																																																																																																																																																																																																																																																		
0	0	0	0	0	0	0	0	0																																																																																																																																																																																																																																																																																																																																																																																																																																																																																																																																																		
0	0	0	0	0	0	0	0	0																																																																																																																																																																																																																																																																																																																																																																																																																																																																																																																																																		
0	0	0	0	0	0	0	0	0																																																																																																																																																																																																																																																																																																																																																																																																																																																																																																																																																		
0	0	0	0	0	0	0	0	0																																																																																																																																																																																																																																																																																																																																																																																																																																																																																																																																																		
0	0	0	0	0	0	0	0	0																																																																																																																																																																																																																																																																																																																																																																																																																																																																																																																																																		
0	0	0	0	0	0	0	0	0																																																																																																																																																																																																																																																																																																																																																																																																																																																																																																																																																		
0	0	0	0	0	0	0	0	0																																																																																																																																																																																																																																																																																																																																																																																																																																																																																																																																																		
0	0	0	0	0	0	0	0	0																																																																																																																																																																																																																																																																																																																																																																																																																																																																																																																																																		
0	0	0	0	0	0	0	0	0																																																																																																																																																																																																																																																																																																																																																																																																																																																																																																																																																		
0	0	0	0	0	0	0	0	0																																																																																																																																																																																																																																																																																																																																																																																																																																																																																																																																																		
0	0	0	0	0	0	0	0	0																																																																																																																																																																																																																																																																																																																																																																																																																																																																																																																																																		
0	0	0	0	0	0	0	0	0																																																																																																																																																																																																																																																																																																																																																																																																																																																																																																																																																		
0	0	0	0	0	0	0	0	0																																																																																																																																																																																																																																																																																																																																																																																																																																																																																																																																																		
0	0	0	0	0	0	0	0	0																																																																																																																																																																																																																																																																																																																																																																																																																																																																																																																																																		
0	0	0	0	0	0	0	0	0																																																																																																																																																																																																																																																																																																																																																																																																																																																																																																																																																		
0	0	0	0	0	0</																																																																																																																																																																																																																																																																																																																																																																																																																																																																																																																																																					

# TRAPcc

## Conditional Software Interrupt

# TRAPcc

**Operation**

If cc then begin software exception processing

**Assembler Syntax**

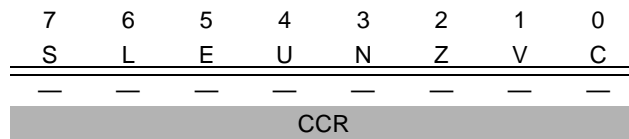
TRAPcc

**Instruction Fields**

{cc}      CCCC      Condition code (see **Table 12-18** on page 12-24)

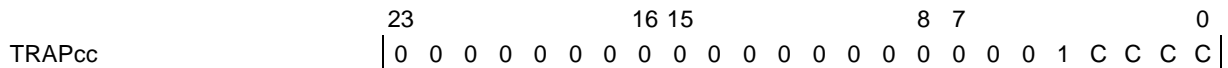
**Description** If the specified condition is true, normal instruction execution is suspended and software exception processing is initiated. The Interrupt Priority Level (I1,I0) is set to 3 in the Status Register (SR) if a long interrupt service routine is used. If the specified condition is false, instruction execution continues with the next instruction. The conditions that the term “cc” can specify are listed in **Table 12-18** on page 12-24.

**Condition Codes**



—            Unchanged by the instruction.

**Instruction Formats and Opcodes**



### Operation

S – 0 (parallel move)

### Assembler Syntax

TST S (parallel move)

### Instruction Fields

{S} d Source accumulator [A,B] (see **Table 12-13** on page 12-18)

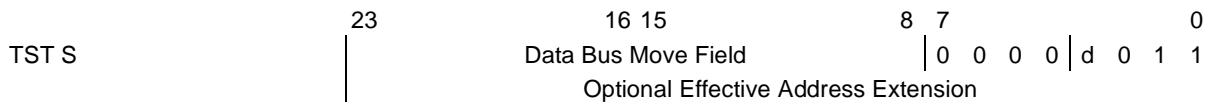
**Description** Compare the specified source accumulator S with 0 and set the condition codes accordingly. No result is stored although the condition codes are updated.

### Condition Codes

7	6	5	4	3	2	1	0
S	L	E	U	N	Z	V	C
√	√	√	√	√	√	*	—
CCR							

- \* V Always cleared.
- √ Changed according to the standard definition.
- Unchanged by the instruction.

### Instruction Formats and Opcodes



**Operation**

S[47–24] → X:ea; {S[23–0],i} → Y:ea

**Assembler Syntax**

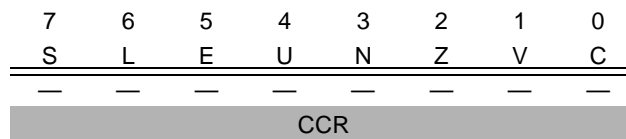
VSL S,i,L:ea

**Instruction Fields**

{S}	S	Source register A,B (see <b>Table 12-13</b> on page 12-18)
{i}	i	Bit value, 0 or 1 to be placed in the least significant bit of Y:<ea>
{ea}	MMRRR	Effective address (see <b>Table 12-13</b> on page 12-18)

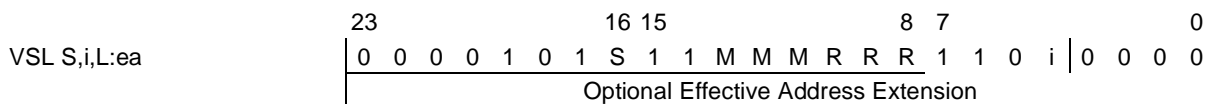
**Description** Store the most significant part (24 bits) of the source accumulator at X memory (at effective address location), while for the least significant part (24 bits) of the source accumulator shift one bit to the left and insert 0 or 1 at the Least Significant Bit, according to operand i, and store the result at Y memory at the same address. This instruction enhances Viterbi algorithm performance.

**Condition Codes**



— Unchanged by the instruction.

**Instruction Formats and Opcodes**



# WAIT

## Wait for Interrupt or DMA Request

# WAIT

### Operation

Disable clocks to the processor core and enter the Wait processing state

### Assembler Syntax

WAIT

### Instruction Fields None

**Description** Enter the low-power standby Wait processing state. The internal clocks to the processor core and memories are gated off, and all activity in the processor is suspended until an unmasked interrupt occurs. The clock oscillator and the internal I/O peripheral clocks remain active. If the WAIT instruction is executed when an interrupt is pending, the interrupt is processed. The effect is the same as if the processor never entered the Wait state. When an unmasked interrupt or external (hardware) processor reset occurs, the processor leaves the Wait state and begins exception processing of the unmasked interrupt or reset condition. The processor also exits from the Wait state when the Debug Request ( $\overline{DE}$ ) pin is asserted or when a Debug Request JTAG command is detected.

### Condition Codes

7	6	5	4	3	2	1	0
S	L	E	U	N	Z	V	C
—	—	—	—	—	—	—	—
CCR							

— Unchanged by the instruction

### Instruction Formats and Opcodes

WAIT	23	16 15											8	7	0							
	0	0	0	0	0	0	0	0	0	0	0	0	0	0	0	1	0	0	0	0	1	1





# Instruction Timing and Restrictions

# A

This appendix describes the various aspects of execution timing analysis for each instruction mnemonic and for various instruction sequences. The section consists of the following tables and information:

- How to calculate DSP56300 core instruction timing for each instruction mnemonic (instruction timing).
- The number of instruction program words for each instruction mnemonic (instruction program words).
- Sequences that cause timing delays and stalls in the execution (instruction sequence delays).
- Instruction sequences that are forbidden and cause undefined operation (instruction sequence restrictions).

## A.1 Overview

The number of oscillator clock cycles per instruction depends on many factors, including the number of words per instruction, the addressing mode, whether the instruction fetch pipeline is full, the number of external bus accesses, cache hit/miss/burst, and the number of wait states inserted into each external access.

**Table A-1** lists instruction timing and is based on the assumption that all instruction cycles are counted in clock cycles and the instruction fetch pipeline is full. The following terms are used inside the table:

- *T*. clock cycles for the normal case:
  - All instructions fetched from the internal program memory
  - No interlocks with previous instructions
  - Addressing mode is the Post-Update mode (post-increment, post-decrement and post offset by N) or the No-Update mode
- + *pru*. Pre-update specifies clock cycles added for using the pre-update addressing modes (pre-decrement and offset by N addressing modes)
- + *lab*. Long absolute specifies clock cycles added for using the Long Absolute Address mode

- + *lim*. Long immediate specifies clock cycles added for using the long immediate data addressing mode

A dash under one or more of the columns **pru**, **lab**, or **lim** indicates that this column is not applicable to the corresponding instruction.

**Table A-1.** Instruction Timing, Word Count, and Encoding

Instruction Mnemonic	Instruction Format	T	+ pru	+ lab	+ lim
ADD	ADD #xxxxxx,D	2	—	—	—
	ADD #xx,D	1	—	—	—
AND	AND #xxxxxx,D	2	—	—	—
	AND #xx,D	1	—	—	—
ANDI	ANDI D	3	—	—	—
ASL	ASL #i,S2,D	1	—	—	—
	ASL S1, S2,D	1	—	—	—
ASR	ASR S1, S2, D	1	—	—	—
	ASR #ii,S2,D	1	—	—	—
Bcc	Bcc Rn	4	—	—	—
	Bcc xxxx	5	—	—	—
	Bcc xxx	4	—	—	—
BCHG	BCHG #n, [x or y]:aa	2	—	—	—
	BCHG #n, [x or y]:ea	2	1	1	—
	BCHG ##n, [x or y]:pp	2	—	—	—
	BCHG ##n, [x or y]:qq	2	—	—	—
	BCHG #n, D	2	—	—	—
BCLR	BCLR #n, [x or y]:pp	2	—	—	—
	BCLR #n, [x or y]:ea	2	1	1	—
	BCLR #n, [x or y]:aa	2	—	—	—
	BCLR #n, [x or y]: qq	2	—	—	—
	BCLR #n, D	2	—	—	—
BRA	BRA (PC + Rn)	4	—	—	—
	BRA (PC + aa)	4	—	—	—
	BRA (PC+aa)	4	—	—	—
BRKcc	BRKcc	5	—	—	—

**Table A-1.** Instruction Timing, Word Count, and Encoding (Continued)

Instruction Mnemonic	Instruction Format	T	+ pru	+ lab	+ lim
BRSET	BRSET #bbbb, S:pp, (PC+aaaa)	5	—	—	—
	BRSET #bbbb, S:qq, (PC+aaaa)	5	1	—	—
	BRSET #bbbb, S:ea, (PC+aaaa)	5	—	—	—
	BRSET #bbbb, S:aa, (PC+aaaa)	5	—	—	—
	BRSET #bbbb, DDDDD, (PC+aaaa)	5	—	—	—
BScC	BScC (PC + Rn)	4	—	—	—
	BScC (PC + aa)	4	—	—	—
BSCLR	BSCLR #bbbb,S:ea,(PC+aaaa)	5	1	—	—
	BSCLR #bbbb,S:aa,(PC+aaaa)	5	—	—	—
	BSCLR #bbbb,S:pp,(PC+aaaa)	5	—	—	—
	BSCLR #bbbb,S:DDDDDD,(PC+aaaa)	5	—	—	—
	BSCLR #bbbb,S:qq,(PC+aaaa)	5	—	—	—
BSET	BSET #n,[x or y]:pp	2	—	—	—
	BSET ##n,[x or y]:ea	2	1	1	—
	BSET ##n,[x or y]:aa	2	—	—	—
	BSET ##n,D	2	—	—	—
	BSET ##n,[x or y]:qq	2	—	—	—
BSR	BSR (PC + Rn)	4	—	—	—
	BSR (PC+aaaa)	5	—	—	—
	BSR (PC + aa)	4	—	—	—
BSSET	BSSET #bbbb,S:pp,(PC+aaaa)	5	—	—	—
	BSSET #bbbb,S:ea,(PC+aaaa)	5	1	—	—
	BSSET #bbbb,S:aa,(PC+aaaa)	5	—	—	—
	BSSET #bbbb,S:DDDDDD,(PC+aaaa)	5	—	—	—
	BSSET #bbbb,S:qq,(PC+aaaa)	5	—	—	—
BTST	BTST #n,[x or y]:pp	2	—	—	—
	BTST #n,[x or y]:ea	2	1	1	—
	BTST #n,[x or y]:aa	2	—	—	—
	BTST #n,D	2	—	—	—
	BTST #n,[x or y]:qq	2	—	—	—
CLB	CLB S,D	1	—	—	—
CMP	CMP #iiii,D	2	—	—	—
	CMP #iii,D	1	—	—	—
CMPU	CMPU S1, S2	1	—	—	—
DEBUG/ DEBUGcc	DEBUG	1	—	—	—
	DEBUGcc	5	—	—	—

**Table A-1.** Instruction Timing, Word Count, and Encoding (Continued)

Instruction Mnemonic	Instruction Format	T	+ pru	+ lab	+ lim
DEC	DEC D	1	—	—	—
DIV	DIV S, D	1	—	—	—
DMAC	DMAC S1,S2,D (ss,su,uu)	1	—	—	—
DO	DO #xxx,aaaa	5	—	—	—
	DO DDDDDD,aaaa	5	—	—	—
	DO S:<ea>,aaaa	5	1	—	—
	DO S:<aa>,aaaa	5	—	—	—
DO FOREVER	DO FOREVER ,(aaaa)	4	—	—	—
DOR	DOR #xxx,(PX+aaaa)	5	—	—	—
	DOR DDDDDD,(PC+aaaa)	5	—	—	—
	DOR S:ea,(PC+aaaa)	5	1	—	—
	DOR S:aa,(PC+aaaa)	5	—	—	—
DOR FOREVER	DOR FOREVER,(PC+aaaa)				
ENDDO	ENDDO	1	—	—	—
EOR	EOR #xx,D	2	—	—	—
	EOR #iii,D	1	—	—	—
EXTRACT	EXTRACT S1,S2,D	1	—	—	—
	EXTRACT #iii,s,D	2	—	—	—
EXTRACTU	EXTRACTU S1,S2,D	1	—	—	—
	EXTRACTU #iii,s,D	2	—	—	—
IFcc	IFcc	1	—	—	—
ILLEGAL	ILLEGAL	5	—	—	—
INC	INC D	1	—	—	—
INSERT	INSERT S1,S2,D	1	—	—	—
	INSERT #iii,qqq,D	2	—	—	—
Jcc	Jcc xxx	4	—	—	—
	Jcc ea	4	0	0	—
JCLR	JCLR #n,[x or y]:ea,xxxx	4	1	—	—
	JCLR #n,[x or y]:pp,xxxx	4	—	—	—
	JCLR #n,[x or y]:aa,xxxx	4	—	—	—
	JCLR #n,S,xxxx	4	—	—	—
	JCLR #n,[x or y]:qq,xxxx	4	—	—	—
JMP	JMP aa	3	—	—	—
	JMP ea	3	1	1	—
JScC	JScC aa	4	—	—	—
	JScC ea	4	0	0	—

**Table A-1.** Instruction Timing, Word Count, and Encoding (Continued)

Instruction Mnemonic	Instruction Format	T	+ pru	+ lab	+ lim
JSCLR	JSCLR #n,[x or y]:pp,xxxx	4	—	—	—
	JSCLR #n,[x or y]:ea,xxxx	4	1	—	—
	JSCLR #n,[x or y]:aa,xxxx	4	—	—	—
	JSCLR #n,S,xxxx	4	—	—	—
	JSCLR #n,[x or y]:qq,xxxx	4	—	—	—
JSET	JSET #n,[x or y]:pp,xxxx	4	—	—	—
	JSET #n,[x or y]:ea,xxxx	4	1	—	—
	JSET #n,[x or y]:aa,xxxx	4	—	—	—
	JSET #n,S,xxxx	4	—	—	—
	JSET #n,[x or y]:qq,xxxx	4	—	—	—
JSR	JSR aa	3	—	—	—
	JSR ea	3	1	1	—
JSSET	JSSET #n,[x or y]:pp,xxxx	4	—	—	—
	JSSET #n,[x or y]:ea,xxxx	4	1	—	—
	JSSET #n,[x or y]:aa,xxxx	4	—	—	—
	JSSET #n,S,xxxx	4	—	—	—
	JSSET #n,[x or y]:qq,xxxx	4	—	—	—
LSL	LSL S,D	1	—	—	—
	LSL #ii,D	1	—	—	—
LSR	LSR #ii,D	1	—	—	—
	LSR S,D	1	—	—	—
LRA	LRA (PC + Rn) → 0DDDDD	3	—	—	—
	LRA (PC + aaaa) → 0DDDDD	3	—	—	—
LUA, LEA	LUA ea → 0DDDDD	3	—	—	—
	LUA (Rn + aa) → 01DDDD	3	—	—	—
MACI	MACI ± #xxxxxx,S,D	2	—	—	—
MAC	MAC ± 2**s,QQ,d	1	—	—	—
	MAC S1,S2,D (su,uu)	1	—	—	—
MACRI	MACRI ± #iiiiii,QQ,D	2	—	—	—
MACR	MACR ± 2**s,QQ,d	1	—	—	—
MAX	MAX A,B	1	—	—	—
MAXM	MAXM A,B	1	—	—	—
MERGE	MERGE S,D	1	—	—	—

**Table A-1.** Instruction Timing, Word Count, and Encoding (Continued)

Instruction Mnemonic	Instruction Format	T	+ pru	+ lab	+ lim
MOVE	No parallel data Move (DALU)	1	—	—	—
	MOVE #xx,D	1	—	—	—
	MOVE S,D	1	—	—	—
	MOVE ea (U move, address register update)	1	—	—	—
	MOVE [x or y]:ea,D	1	1	1	1
	MOVE S,[x or y]:ea	1	1	1	1
	MOVE #xxxxxx,D	1	1	1	1
	MOVE [x or y]:aa,D	1	—	—	—
	MOVE [x or y]aa	2	—	—	—
	MOVE [x or y):(Rn+xxx),D	2	—	—	—
	MOVE S,[x or y):(Rn+xxx)	2	—	—	—
	MOVE [x or y):(Rn+xxxx),D	3	—	—	—
	MOVE S,[x or y):(Rn+xxxx)	3	—	—	—
	MOVE X:ea,D1,S2,D2	1	1	1	1
	MOVE S1,S:ea S2,D2	1	1	1	1
	MOVE #xxxxxx,D1 S2,D2	1	1	1	1
	MOVE S1,D1 Y:ea,D2	1	1	1	1
	MOVE S1,D1 S2,Y:ea	1	1	1	1
	MOVE S1,D1 #xxxxxx,D2	1	1	1	1
	MOVE A,X:ea X0,A	1	1	—	—
MOVE B,X:ea X0,B	1	1	—	—	
MOVE Y0 A,A,Y:ea	1	1	—	—	
MOVE cont.	MOVE Y0 B,B,Y:ea	1	1	—	—
	MOVE L:ea,D MOVE S,L:ea	1	1	1	—
	MOVE X:eax,D1 Y:ey,D2	1	—	—	—
	MOVE X:eax,D1 S2,Y:ey	1	—	—	—
	MOVE S1,X:eax Y:ey,D2	1	—	—	—
	MOVE S1,X:eax S2,Y:ey	1	—	—	—

**Table A-1.** Instruction Timing, Word Count, and Encoding (Continued)

Instruction Mnemonic	Instruction Format	T	+ pru	+ lab	+ lim
MOVEC	MOVEC #xx,D1	1	—	—	—
	MOVEC [x or y]:ea,D1	1	1	1	1
	MOVEC S1,[x or y]:ea	1	1	1	1
	MOVEC #xxxxxx,D1	1	1	1	1
	MOVEC [x or y]:aa,D1	1	—	—	—
	MOVEC S1,[x or y]:aa	1	—	—	—
	MOVEC S1,D2	1	—	—	—
	MOVEC S2,D1	1	—	—	—
MOVEM	MOVEM S,P:ea	6	1	1	—
	MOVEM P:ea,D	6	1	1	—
	MOVEM S,P:aa	6	—	—	—
	MOVEM P:aa,D	6	—	—	—
MOVEP	MOVEP [x or y]:pp,[x or y]:ea	2	1	1	0
	MOVEP [x or y]:ea,[x or y]:pp	2	1	1	0
	MOVEP [x or y]:qq,[x or y]:ea	2	1	1	0
	MOVEP [x or y]:ea,[x or y]:qq	2	1	1	0
	MOVEP [x or y]:pp,P:ea	6	1	1	—
	MOVEP P:ea,[x or y]:pp	6	1	1	—
	MOVEP [x or y]:qq,P:ea	6	1	1	—
	MOVEP P:ea,[x or y]:qq	6	1	1	—
	MOVEP [x or y]:pp,D	1	—	—	—
MOVEP cont.	MOVEP S,[x or y]:pp	1	—	—	—
	MOVEP [x or y]:qq,D	1	—	—	—
	MOVEP S,[x or y]:qq	1	—	—	—
MPY	MPY S1,S2,D (su,uu)	1	—	—	—
	MPY $\pm 2^*s$ ,QQ,d	1	—	—	—
MPYI	MPYI (I)#xxxxxx,S,D	2	—	—	—
MPYR	MPYR $\pm 2^*s$ ,QQ,d	1	—	—	—
MPYRI	MPYRI $\pm \#iiii$ ,QQ,D	2	—	—	—
NOP	NOP	1	—	—	—
NORM	NORM	5	—	—	—
NORMF	NORMF S,D	1	—	—	—
OR	OR #xx,D	2	—	—	—
	OR #iii,D	1	—	—	—
ORI	OR(I) D	3	—	—	—
PFLUSH	PFLUSH	1	—	—	—

**Table A-1.** Instruction Timing, Word Count, and Encoding (Continued)

Instruction Mnemonic	Instruction Format	T	+ pru	+ lab	+ lim
PFLUSHUN	PFLUSHUN	1	—	—	—
PFREE	PFREE	1	—	—	—
PLOCK	PLOCK ea	2	1	1	—
PLOCKR	PLOCKR (PC+aaaa)	4	—	—	—
PUNLOCK	PUNLOCK ea	2	1	1	—
PUNLOCKR	PUNLOCKR (PC+aaaa)	4	—	—	—
REP	REP #xxx	5	—	—	—
	REP S	5	—	—	—
	REP [x or y]:ea	5	1	—	—
	REP [x or y]:aa	5	—	—	—
RESET	RESET	7	—	—	—
RTI/RTS	RTI	3	—	—	—
	RTS	3	—	—	—
STOP	STOP	10	—	—	—
SUB	SUB #xx,D	2	—	—	—
	SUB #iii,D	1	—	—	—
Tcc	Tcc S1,D1,S2,D2	1	—	—	—
	Tcc S1,D1	1	—	—	—
	Tcc S2,D2	1	—	—	—
TRAP/ TRAPcc	TRAP	9	—	—	—
	TRAPcc	9	—	—	—
VSL	VSL S,i,L:ea	1	1	1	—
WAIT	WAIT	10	—	—	—

## A.2 Instruction Sequence Delays

Because of pipelining in the DSP56300 core, certain instruction sequences can cause a delay in the execution of instructions. Most of these sequences are caused by a source-destination conflict or by the need to access the external bus. There are six types of sequence delays:

- External bus wait states
- Instruction fetch delays
- Data ALU interlocks
- Address register interlocks
- Stack extension delays
- Program flow control delays



## A.2.1 External Bus Wait States

An external bus wait state is caused by an instruction accessing the external bus for data read or write. The execution time of the instruction is increased by the number of clock cycles equal to the number of wait states programmed for that external data access. The exact number of wait states depends on the type of memory accessed.

## A.2.2 Instruction Fetch Delays

At an external instruction fetch, the effective number of stall states in the pipeline is the number specified in the Bus Control Register (BCR).

## A.2.3 Data ALU Interlock

A data ALU interlock is caused by one of the following sequences:

- *Arithmetic stall.* Occurs when an instruction uses one of the Data ALU registers (A0, A1, A2, B0, B1, or B2) or accumulators (A or B) as a source register for the move portion of the instruction when the preceding instruction is an arithmetic instruction<sup>1</sup> that uses the same accumulator as its destination. Delays execution of the initiating instruction by one clock cycle.
- *Transfer stall.* Occurs when an instruction uses one of the Data ALU registers (A0, A1, A2, B0, B1, or B2) or accumulators (A or B) as a source register for the move portion of the instruction when the preceding instruction uses the corresponding accumulator or one of the Data ALU registers that comprise the accumulator as its destination register in the move portion of that instruction. Delays execution of the initiating instruction by one instruction cycle.
- *Status stall.* Occurs when an instruction reads the contents of the Status Register (SR) for either a move operation or bit testing and the preceding or the second preceding instruction is an arithmetic instruction. Delays execution of the initiating instruction by two instruction cycles for a move operation or one instruction cycle for bit testing.

## A.2.4 Address Register Interlocks

An address register interlock is caused by one of the following sequences:

- *Conditional Transfer Interlock.* Occurs when a Transfer On-Condition (Tcc) instruction is followed by an instruction that explicitly specifies one of the address generation registers (R[0–7]) as its source operand. Delays execution of the second instruction by one instruction cycle.
- *Address Generation Interlock.* Occurs when the move portion of an instruction uses one of the AGU registers (R[0–7]) for address generation or for address calculation, while one of

---

1. An arithmetic instruction uses the internal Data ALU data paths.

the three preceding instruction cycles uses one of the register set (Ri, Ni or Mi) members as a destination register in its move portion. Consider **Example A-1**.

**Example A-1. Address Generation Interlock**

```

I1 MOVE # $addr, R0

I2 NOP

I3 NOP

I4 NOP

I5 MOVE # $offset, N0

I6 MOVE X: (R0) +, Y1
    
```

In this example, instruction I6 causes an address generation interlock because it uses R0 as the source for address generation on the X Address Bus while the preceding instruction, I5, uses N0 as its destination. Three types of address generation interlock exist: Type0, Type1, and Type2. These types depend on the clock cycle distance between the instruction causing the interlock and the preceding instruction that uses the AGU register as a destination. **Figure A-1** gives an example of each interlock type:

Type0 Interlock	Type1 Interlock	Type2 Interlock
I1 MOVE # \$addr, R0	I1 MOVE # \$addr, R0	I1 MOVE # \$addr, R0
I2 MOVE X: (R0) +, Y1	I2 CLR A	I2 CLR A
	I3 MOVE X: (R0) +, Y1	I3 INC B
		I4 MOVE X: (R0) +, Y1
Three NOP instructions are inserted	Two NOP instructions are inserted	One NOP instruction is inserted

**Figure A-1. Types of Address Generation Interlock**

When a Type0 address generation interlock is detected (during the decoding of I2 in the example), three NOP clock cycles are automatically inserted before execution of the instruction starts. When a Type1 interlock is detected (during the decoding of I3 in the example), two NOP clock cycles are automatically inserted before the execution of the instruction starts. When a Type2 interlock is detected (during the decoding of I4 in the example), one NOP clock cycle is inserted before execution of the instruction starts.

**Note:** Only clock cycles are counted to determine when interlock cycles should be inserted.

When an instruction using one of the AGU registers as an address generation enters the decoding stage of the DSP56300 core, the distance from that instruction to the preceding instruction using the register as destination is measured in clock cycles to determine the existence and type of address generation interlock. Once an address generation interlock is detected, the appropriate number of NOP clock cycles is inserted. The following instructions take these additional cycles into account for detecting a possible new address generation interlock. **Example A-2** demonstrates this feature.

### Example A-2. Detection of Address Generation Interlock

---

```
I1 MOVE #addr, R0
I2 CLR A
I3 MOVE X: (R0) +, Y1
I4 MOVE X: (R0) +, Y0
```

---

In this example, a Type1 interlock is detected during the decoding phase of I 3 and two NOP cycles are inserted before that instruction executes. During the decoding of I4, no address generation interlock is detected, so no NOP cycles are inserted. However, if I3 were an instruction that did not use R0, a Type2 address generation interlock would be detected during the decoding phase of I4, and one NOP cycle would be inserted before the instruction executes.

## A.2.5 Stack Extension Delays

Some instructions access the System Stack (SS) as part of their normal activity. When the SS is either completely full or empty, the special stack extension mechanism is engaged and the access completes only after an access to data memory is automatically performed. This delays the decoding and the execution phases of that instruction. A stack-full or a stack-empty state is defined by the contents of the Stack Counter (SC) register. When the stack counter equals 14, the on-chip hardware stack contains fourteen words (a stack word is a 48-bit long word combined from the low and the high portions of the stack). The stack is declared as stack-full, and any additional push operation activates the stack extension mechanism. When the stack counter equals 2, the on-chip hardware stack contains only two words. The stack is declared as stack-empty, and any additional pop operations activate the stack extension mechanism. The instructions/cases listed in **Table A-2** cause an access to the system stack and may engage the stack extension mechanism.

**Table A-2.** Instructions That Access the System Stack

Instruction	Description
JSR, Jcc	All the conditional and unconditional Jump to Subroutine instructions (e.g., JSR, JSSET, and so on). These instructions perform a stack PUSH operation that stores the PC and the SR on top of the stack for the use of the 'Return from Subroutine' instruction that terminates the subroutine execution.

**Table A-2.** Instructions That Access the System Stack (Continued)

Instruction	Description
RET	The two Return from Subroutine instructions, RTS and RTI. These instructions perform a stack POP operations that pulls the PC and (optionally) the SR out from the top of stack in order to return to the calling procedure and restore the status bits and loop flag state.
END-OF-DO	A condition of the hardware inside the Program Control Unit. This hardware detects a fetch from the last address of a loop initiated when the Loop Counter equals 1. This condition defines the end of the loop, thus performing a stack POP operation. This POP operation restores the loop flag, purges the top of stack (PC:SR), and pulls LA and LC from the new top of stack.
LOOP	All the hardware-loop initiating instructions (e.g., DO) with all their options. These instructions perform a stack double-PUSH operation that first stores the previous values of LA and LC on top of the stack. Then the DO instruction stores the contents of SR and PC on the new top of stack. This PC value is used every loop iteration to return to the top of loop location and start fetch from there. DO performs two accesses to the stack instead of the normal single access done by most stack operations.
ENDDO	A special instruction that forces an end-of-do condition during a hardware loop. Like END-OF-DO, ENDDO performs two accesses to the stack instead of the normal single access done by most stack operations.
SSHWR	All the explicit stack PUSH instructions that use SSH as their destination (e.g., the MOVE R0,SSH instruction).
SSHRD	All the explicit stack POP instructions that use SSH as their source (e.g., the MOVE SSH,Y1 instruction).

**Table A-3** shows how many clock cycles are added in the various instructions/cases described.

**Table A-3.** Stack Extension Delays

CASE	Stack Full Condition ( + clock cycles )	Stack Empty Condition ( + clock cycles )
JSR, Jcc	2	—
RET	—	3
END-OF-DO	—	5
DO	4	—
ENDDO	—	5
SSHWR	2	—
SSHRD	—	3

### A.2.6 Program Flow Control Delays

When flow-control instructions execute, some boundary cases exist and introduce pipeline interlocks into the program flow. These interlocks lengthen the decoding phase of the instructions, thus delaying execution. The following sequences represent unusual operations that will probably never be used. The detection of these cases and the generation of interlocks is done to maintain object code compatibility between the DSP56300 core and the 56000 family of DSPs. The following terms are used in this discussion:

- *I1*: An address of an instruction, where *I2*, *I3*, and *I4* indicate the next instructions in the program flow
- **MOVE**: any type of **MOVE**, **MOVEM**, **MOVEP**, **MOVEC**, **BSET**, **BCHG**, **BCLR**, and **BTST**
- *LA*: the last address of a **DO LOOP**
- $(LA - 1)$ : the address of an instruction word located at  $LA - 1$
- *CR*: Control Register, every one of the registers *LA*, *LC*, *SR*, *SP*, *SSH*, *SSL*, and *OMR*

#### **A.2.6.1 JMP to LA or to LA – 1**

When *I1* is any type of **JMP** with its target address equal to *LA*, the decoding phase of the instruction following the instruction at *LA* is delayed by 2 clock cycles. When *I1* is any type of **JMP** with its target address equal to  $LA - 1$ , the decoding phase of the instruction following the instruction at *LA* is delayed by one clock cycle.

#### **A.2.6.2 RTI to LA or to LA – 1**

When *I1* is an **RTI** instruction whose return address is *LA*, the decoding phase of the instruction following the instruction at *LA* is delayed by two clock cycles. When *I1* is an **RTI** instruction whose return address is  $LA - 1$ , the decoding phase of the instruction following the instruction at *LA* is delayed by one clock cycle.

#### **A.2.6.3 Conditional Instructions**

When *I1* is a conditional change of flow instruction (such as **Jcc**) and the condition is false, the decoding phase of *I2* is delayed by one clock cycle.

#### **A.2.6.4 Interrupt Abort**

When *I1* is an instruction with a decoding phase that is longer than one cycle, it may be aborted by the Interrupt Control Unit. In this case, a one clock cycle “hole” is inserted into the pipeline, after which the instruction at the interrupt vector is decoded.

#### **A.2.6.5 Degenerated DO loop**

When *I1* is a **DO** loop but the loop contains only one instruction, the decoding phase of *I1* is lengthened by one clock cycle.

#### **A.2.6.6 Annulled REP and DO**

If the repeat count of a **REP** instruction is zero, the decoding phase of the **REP** instruction is lengthened by one clock cycle. If the repeat count of a **DO** instruction is zero, the decoding phase of the **DO** instruction is lengthened by three clock cycles.

## A.3 Instruction Sequence Restrictions

Because of the pipelining in the DSP56300 core central processor, certain instruction sequences are forbidden. Use of these sequences causes undefined operation. Most of these restricted sequences cause contention for an internal resource, such as the Stack Register. The DSP Assembler flags these as assembly errors. The following terms are used in this discussion:

- **MOVE:** any type of MOVE, MOVEM, MOVEP, MOVEC
- **MOVEM:** any type of MOVE to/from the Program space
- **LA:** the last address of a DO LOOP
- **Two-words <inst>:** a double-word instruction in which the second word is used as an immediate data or absolute address
- **Single-word <inst>:** an instruction with an addressing mode that does not need a second word extension

### A.3.1 Restrictions Near the End of DO Loops

Proper DO loop operation is not guaranteed for an instruction sequence similar to one of the following sequences.

- **At LA – 5:** The following instructions should not start at address LA – 5:
  - Single-word or two-word MOVE to {LA, LC, SP, SC, SSH, SSL, SZ, VBA, OMR}
  - BCHG, BSET, BCLR on {LA, LC, SP, SC, SSH, SSL, SZ, VBA, OMR}
- **At LA – 4:** The following instructions should not start at address LA – 4:
  - Single-word or two-word MOVE to {LA, LC, SP, SC, SSH, SSL, SZ, VBA, OMR}
  - BCHG, BSET, BCLR on {LA, LC, SP, SC, SSH, SSL, SZ, VBA, OMR}
- **At LA – 3:** The following instructions should not start at address LA – 3:
  - BCHG, BSET, BCLR on {LA, LC, SP, SC, SSH, SSL, SZ, VBA, OMR}
  - MOVE to {LA, LC, SP, SC, SSH, SSL, SZ, VBA, OMR}
  - MOVE from SSH, SSL
  - Two-word JMP, Jcc, JSR, JScc
  - JSET, JCLR, JSSET, JSCLR
  - Two-word MOVEM
- **At LA – 2:** The following instructions should not start at address LA – 2:
  - DO, DOR, DO FOREVER
  - MOVE to/from {LA, LC, SP, SC, SSH, SSL, SZ, VBA, OMR}
  - BCHG, BSET, BCLR, BTST on {LA, LC, SP, SC, SSH, SSL, SZ, VBA, OMR}
  - JMP, Jcc, JSR, JScc, JSET, JCLR, JSSET, JSCLR, BRA, Bcc, BSR, BScc
  - MOVEM
  - ANDI, ORI on MR
  - BRKcc, ENDDO, REP

— STOP, WAIT, DEBUG, DEBUGcc, TRAP, TRAPcc, ILLEGAL

- At LA – 1: The following instructions should not start at address LA – 1:

— DO, DOR, DO FOREVER

— MOVE to/from {LA, LC, SP, SC, SSH, SSL, SZ, VBA, OMR}

— BCHG, BSET, BCLR, BTST on {LA, LC, SP, SC, SSH, SSL, SZ, VBA, OMR}

— JMP, Jcc, JSR, JSec, JSET, JCLR, JSSET, JSCLR, BRA, Bcc, BSR, BSec

— MOVEM

— ANDI, ORI on MR

— BRKcc, ENDDO, REP

— STOP, WAIT, DEBUG, DEBUGcc, TRAP, TRAPcc, ILLEGAL

A one-word conditional branch instruction at LA-1 is not allowed.

When two consecutive LAs have a conditional branch instruction at LA-1 of the internal loop, the device does not operate properly. For example, the following sequence may generate incorrect results:

```

        DO #5, LABEL1
        NOP
        DO #4, LABEL2
        NOP
        MOVE (R0) +
        BSCC _DEST          ; conditional branch at LA-1 of internal loop
        NOP                ; internal LA
LABEL2
        NOP                ; external LA
LABEL1
        NOP
        NOP
_DEST  NOP
        NOP
        RTS

```

Workaround: Put an additional NOP between LABEL2 and LABEL1.

- At LA: The following instructions should not start at address LA:

— Any two-word instruction

— MOVE to {LA, LC, SP, SC, SSH, SSL, SZ, VBA, OMR}

— MOVE from SSH, SSL

— BCHG, BSET, BCLR on {LA, LC, SP, SC, SSH, SSL, SZ, VBA, OMR}

— BTST on SSH

— JMP, JSR, BRA, BSR, Jcc, JSec, Bcc, BSec

— MOVE to/from Program space {MOVEM, MOVEP (only the P space options)}.

— RESET

— RTI, RTS

— ANDI, ORI on MR

— BRKcc, ENDDO, REP

— STOP, WAIT, DEBUG, DEBUGcc, TRAP, TRAPcc, ILLEGAL

### A.3.2 General DO Restrictions

The general restrictions on DO instructions are as follows:

- A DO loop should be initialized and aborted using only the following instructions: DO, DOR, DO FOREVER, ENDDO, and BRKcc.
- The LF and the FV bits in the Status Register (SR) should not be explicitly changed using the MOVE, BCHG, BSET, BCLR, ANDI, or ORI instructions.
- Proper DO loop operation is not guaranteed if an instruction sequence similar to one of the following sequences is used.
  - SSH cannot be used as the source for the Loop-Count for a DO, DOR, or a DO FOREVER instruction.
  - The following instructions should not appear within four words before a DO, DOR, or DO FOREVER:
    - BCHG, BCLR, BSET, MOVE on/to SSH,SSL
    - BCHG, BCLR, BSET, MOVE on/to SP, SC
  - The following instructions should not appear immediately before a DO, DOR, or DO FOREVER:
    - MOVE from SSH
    - BTST on SSH
    - BCHG, BCLR, BSET, MOVE to/on {LA, LC, SP, SC, SSH, SSL}
    - JSR, JSc, JSSET, JSCLR to LA whenever LF is set
    - BSR, BSc, to LA whenever LF is set

When Stack Extension mode is enabled, use of the BRKcc or ENDDO instructions inside DO loops may cause an improper operation. If the loop is not nested and has no nested loop inside it, this restriction is relevant only if LA or LC values are in use outside the loop. If Stack Extension is used, emulate the BRKcc or ENDDO as shown in the following examples in which there is a split between two cases, finite DO loops and DO FOREVER loops.

#### Example A-3. Finite DO Loops

```
BRKcc
Original code:
    do #N,label1
    .....
    .....
        do #M,label2
        .....
        .....
        BRKcc
        .....
        .....
label2
    .....
```



```

label1 .....

```

Will be replaced by:

```

do #N, label1
.....
.....
do #M, label2
.....
.....
Jcc    fix_brk_routine
.....
.....

nop_before_label2
nop    ; This instruction must be NOP.

label2
.....
.....

label1
.....
.....

fix_brk_routine
move #1,lc
jmp   nop_before_label2

```

ENDDO

-----

Original code:

```

do #M,label1
.....
.....
do #N,label2
.....
.....
ENDDO
.....
.....

```

```

label2
.....
.....

```

label1

Will be replaced by:

```

do #M, label1
.....
.....
do #N, label2
.....
.....
JMP    fix_enddo_routine

nop_after_jump
NOP    ; This instruction must be NOP.
.....

```

```

label2      .....
            .....
            .....
label1
.....
.....
fix_enddo_routine
    move #1,lc
    move #nop_after_jump,la
    jmp  nop_after_jump
    
```

**Example A-4. DO FOREVER Loops**

BRKcc

-----

Original code:

```

    do #M,label1
    .....
    .....
        do forever,label2
        .....
        .....
        BRKcc
        .....
        .....
label2
    .....
    .....
label1
    
```

Will be replaced by:

```

    do #M,label1
    .....
    .....
        do forever,label2
        .....
        .....
        JScC    fix_brk_forever_routine; <---
    
```

note: JScC and not Jcc

```

    .....
    .....
    
```

nop\_before\_label2

    nop           ; This instruction must be NOP.

```

label2
    .....
    .....
    
```

label1

```

.....
.....
    
```

fix\_brk\_forever\_routine

```

    move ssh,x:<...> ; <...> is some reserved not used
address (for temporary data)
    move #nop_before_label2,ssh
    
```

```

        bclr #16,ssl      ;
        move #1,lc
        rti              ; <---- note: "rti" and not "rts"!

ENDDO
-----
Original code:

```

do #M,label1

....  
 ....

```

do forever,label2
    .....
    .....
    ENDDO
    .....
    .....

```

label2

```

    .....
    .....

```

label1

Will be replaced by:

```

do #M,label1
    .....
    .....
do forever,label2
    .....
    .....
JSR    fix_enddo_routine ; <--- note:

```

JSR and not JMP

nop\_after\_jump

```

NOP ; This instruction should be NOP
    .....
    .....

```

label2

```

    .....
    .....

```

label1

....  
 ....

fix\_enddo\_routine

```

    nop
    move #1,lc
    bclr #16,ssl
    move #nop_after_jump,la
    rti ; <--- note: "rti" and not "rts"

```

### A.3.3 ENDDO Restrictions

The instructions in the following list should not appear within four words before an ENDDO instruction:

- BCHG, BCLR, BSET, MOVE on/to SSH,SSL
- BCHG, BCLR, BSET, MOVE on/to SP, SC

The instructions in the following list should not appear immediately before an ENDDO instruction:

- ANDI, ORI on MR
- MOVE from SSH
- BTST on SSH
- BCHG, BCLR, BSET, MOVE on/to {LA, LC, SP, SC, SSH, SSL, SZ, VBA, OMR }

### A.3.4 BRKcc Restrictions

The instructions in the following list should not appear immediately before a BRKcc instruction:

- Every arithmetic instruction
- IFcc, Tcc
- BCHG, BCLR, BSET, MOVE on/to {LA, LC, SP, SC, SSH, SSL, SZ, VBA, OMR }

### A.3.5 RTI and RTS Restrictions

The instructions in the following list should not appear immediately before an RTI instruction:

- MOVE, BCHG, BCLR, BSET on {SSH, SSL, SP, SC }
- MOVE, BTST from/on SSH
- ANDI, ORI on {MR, CCR }
- ENDDO

The instructions in the following list should not appear immediately before an RTS instruction:

- MOVE, BCHG, BCLR, BSET on {SSH, SSL, SP, SC }
- MOVE, BTST from/on SSH
- ENDDO

### A.3.6 SP/SC and SSH/SSL Manipulation Restrictions

The instructions in List A should not be executed within four instructions before executing any of the instructions in List B.

## List A

- MOVE to (SP, SC)
- BCHG, BSET, BCLR on (SP, SC)

## List B

- MOVE to/from {SSH,SSL}
- BTST, BCHG, BSET, BCLR on {SSH,SSL}
- JSET, JCLR, JSSET, JSCLR on {SSH,SSL}

### A.3.7 Fast Interrupt Routines

The following instructions cannot be used in a fast interrupt routine:

- DO, DO FOREVER, REP
- ENDDO, BRK<sub>cc</sub>
- RTI, RTS
- STOP, WAIT
- TRAP, TRAP<sub>cc</sub>
- ANDI, ORI on {MR, CCR}
- MOVE from SSH
- BTST on SSH
- MOVE to {LA, LC, SP, SC, SSH, SSL}
- BCHG, BSET, BCLR on {LA, LC, SP, SC, SSH, SSL}

### A.3.8 REP Restrictions

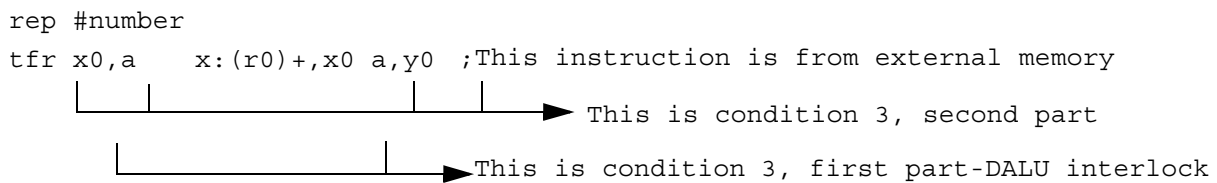
The REP instruction can repeat any single-word instruction except the REP instruction itself and any instruction that changes program flow. The following instructions are not allowed to follow a REP instruction (cannot be repeated):

- REP, DO, DO FOREVER
- ENDDO, BRK<sub>cc</sub>
- JMP, J<sub>cc</sub>, JCLR, JSET
- JSR, JS<sub>cc</sub>, JSCLR, JSSET
- BRA, B<sub>cc</sub>
- BSR, BS<sub>cc</sub>
- RTS, RTI
- TRAP, TRAP<sub>cc</sub>
- WAIT, STOP

When an instruction with all the following conditions follows a repeat instruction, then the last move will be corrupted:

- The repeated instruction is from external memory.
- The repeated instruction is a DALU instruction that includes two DALU registers, one as a source, and one as destination (for example, tfr, add).
- The repeated instruction has a double move in parallel to the DALU instruction: one move's source is the destination of the DALU instruction (causing a DALU interlock); the other move's destination is the source of the DALU instruction.

Example:



In this example, the second iteration before the last, the "x(r0)+,x0" does not happen. On the first iteration before the last, the X0 register is fixed with the "x(r0)+,x0", but the "tfr x0,a" gets the wrong value from the previous iteration's X0. Thus, at the last iteration the A register is fixed with "tfr x0,a", but the "a,y0" transfers the wrong value from the previous iteration's A register to Y0.

Workaround:

1. Use the DO instruction instead; mask any necessary interrupts before the DO.
2. Run the REP instructions from internal memory.
3. Do not make DALU interlocks in the repeated instruction. After the repeat make the move. In the example above, all the "move a,y0" are redundant so it can be done in the next instruction:

```

rep #number
tfr x0,a    x:(r0)+,x0
move a,y0

```

If you must have no interrupts before the move, mask the interrupts before the REP instruction.

### A.3.9 Stack Extension Restrictions

The following instructions, related to the operation of the on-chip hardware stack extension, cannot be used whenever the stack extension is enabled:

- MOVE to EP
- BCHG, BSET, BCLR on EP
- MOVE to SC with a value greater than 15

The following instructions, related to the operation of the on-chip hardware stack extension, cannot be placed in the stack error vector locations whenever the stack extension is enabled:

- JSR, JSc, JSCLR, JSSET
- BSR, BSc

### A.3.10 Stack Extension Enable Restrictions

When stack extension is enabled, the read result from stack may be improper if two previous executed instructions cause sequential read and write operations with SSH. Two cases are possible:

- Case 1:
  - For the first executed instruction: move from SSH or bit manipulation on SSH (that is, JCLR, BRCLR, JSET, BRSET, BTST, BSSET, JSSET, BSCLR, JSCLR).
  - For the second executed instruction: move to SSH or bit manipulation on SSH (that is, JSR, BSR, JSc, BSc).
  - For the third executed instruction: an SSL or SSH read from the stack result may be improper. Move from SSH or SSL or bit manipulation on SSH or SSL (that is, BSET, BCLR, BCHG, JCLR, BRCLR, JSET, BRSET, BTST, BSSET, JSSET, BSCLR, JSCLR).

Workaround: Add two NOP instructions before the third executed instruction.

- Case 2:
  - For the first executed instruction: bit manipulation on SSH (that is, BSET, BCLR, BCJG).
  - For the second executed instruction: an SSL or SSH read from the stack result may be improper. Move from SSH or SSL or bit manipulation on SSH or SSL (that is, BSET, BCLR, BCHG, JCLR, BRCLR, JSET, BRSET, BTST, BSSET, JSSET, BSCLR, JSCLR).

Workaround: Add two NOP instructions before the second executed instruction.

## A.4 Peripheral Pipeline Restrictions

The DSP56300 core is based on a highly optimized pipeline engine. Despite the relatively deep pipeline (seven stages), the latency effects normally associated with long pipelines are minimal because most of these effects are transparent to the user. Such design techniques as forwarding and interlocking alleviate the need for a thorough knowledge of the machine's pipeline in order to avoid data dependencies. This knowledge becomes necessary only when you are further optimizing the code. The assembler detects when transparency does not exist (for example, pointer restrictions) and generates an appropriate warning message. However, the pipeline is exposed to the user during peripheral activity. This section describes the cases in which you must take precautions in order to achieve the desired functionality.

### A.4.1 Polling a Peripheral Device for Write

When data is written to a peripheral device, there is a two-cycle pipeline delay until any status bits affected by this operation are updated. For example, you operate a peripheral port using the polling technique. You look for the Data Empty flag to be set, and when it is set, you write new data to the Transmit Data Register. If you try to read the status bit within the next two cycles, the flag is mistakenly read as set due to the pipeline delays associated with the peripheral operations. Therefore, if you assume that the Transmit Data Register is empty and write a new data word, this data word overwrites the previously written data. To achieve the correct functionality, you must wait at least two cycles before attempting to read the Status Register after a write to the Transmit Data register. **Example A-5** shows the correct sequence for transmit operations.

#### Example A-5. Providing a Wait for Proper Data Writes

---

```

send
    movep x:(r0)+,x:STX      ; send new data
    nop                     ; pipeline delay
    nop                     ; pipeline delay
poll
    jclr #TDE,x:SCSR,poll  ; wait for data empty
    jmp  send              ; go to send data

```

---

### A.4.2 Writing to a Read-Only Register

Writing to a read-only register is an operation that normally has no effect, but if a read operation from the same register is attempted within the following two cycles, the value of the read data is the value of the data that was written instead of the unchanged data of the read-only register. To ensure that the correct data is read after the write operation, you must wait at least two cycles before performing the read.

### A.4.3 XY Memory Data Move

An XY memory data move does not work properly in either of the following situations:

- The X-memory move destination is internal I/O and the Y-memory move source is a register used as destination in the previous adjacent move from non Y-memory.
- The Y-memory move destination is a register used as source in the next adjacent move to non Y-memory.

Following are examples cases (where x:(r1) is a peripheral):

Example 1:

```

move #12,y0
move x0,x:(r7) y0,y:(r3) (while x:(r7) is a peripheral).

```



Example 2:

```
mac    x1,y0,a x1,x:(r1)+    y:(r6)+,y0
move   y0,y1
```

To address this problem, use one of the following alternatives:

- Separate these two consecutive moves by any other instruction.
- Split the XY Data Move to two moves.

## A.5 Sixteen-Bit Compatibility Mode Restrictions

When there is a return from a long interrupt (by the RTI instruction), and the first instruction after the RTI is a move to a DALU register (A, B, X, Y), the move may not be correct if the 16-bit arithmetic mode bit (SR[17] bit) is changed due to restoring SR after RTI. To address this problem, replace the RTI with the following sequence:

```
movec  ssl,sr
nop
rti
```



## Benchmark Programs

The following benchmarks illustrate the source code syntax and programming techniques for the DSP56300 core. Initialization cycles are not taken into account. **Table B-1** lists the DSP benchmark programs provided in this appendix.

**Table B-1.** List of Benchmark Programs

Benchmark	Page	Number of Words	Clock Cycles	Sample Rate or Execution Time for 60 MHz Clock Cycle
Real Multiply	page B-2	3	4	67 ns
N Real Multiplies	page B-3	7	2N + 6	33.3N + 99.9 ns
Real Update	page B-4	4	5	83 ns
N Real Updates	page B-4	9	2N + 8	33.3N + 133.6 ns
Real Correlation or Convolution (FIR Filter)	page B-5	6	N + 10	60/(N + 10) MHz
Real * Complex Correlation or Convolution (FIR Filter)	page B-6	11	2N + 11	30/(N + 5) MHz
Complex Multiply	page B-7	6	7	117 ns
N Complex Multiplies	page B-8	9	4N + 9	66.7N + 150.3 ns
Complex Update	page B-9	7	8	133 ns
N Complex Updates	page B-10	9/11	5N + 9	66.7N + 150.3 ns
Complex Correlation or Convolution (FIR Filter)	page B-12	16	4N + 13	30/(2N + 5.5) MHz
Nth Order Power Series (Real)	page B-13	10	2N + 11	33.3N + 183.7 ns
Second Order Real Biquad IIR Filter	page B-14	7	9	150.3 ns
N Cascaded Real Biquad IIR Filter	page B-15	10	5N + 10	12/(N + 2) MHz
N Radix-2 FFT Butterflies (DIT, In-Place Algorithm)	page B-16	12	8N + 9	133.6N + 150.3 ns
True (Exact) LMS Adaptive Filter	page B-18	15	3N + 16	60/(3N + 17) MHz
Delayed LMS Adaptive Filter	page B-20	13	3N + 12	60/(3N + 12) MHz
FIR Lattice Filter	page B-22	10	3N + 10	60/(3N + 10) MHz
All Pole IIR Lattice Filter	page B-23	12	4N + 8	30/(2N + 4) MHz
General Lattice Filter	page B-25	14	5N + 19	60/(5N + 19) MHz
Normalized Lattice Filter	page B-27	15	5N + 19	60/(5N + 19) MHz
[1 × 3][3 × 3] Matrix Multiplication	page B-29	13	14	233.3 ns

**Table B-1.** List of Benchmark Programs (Continued)

Benchmark	Page	Number of Words	Clock Cycles	Sample Rate or Execution Time for 60 MHz Clock Cycle
<b>N Point <math>3 \times 3</math> 2-D FIR Convolution</b>	<b>page B-30</b>	19	$11N^2 + 9N + 6$	$60/(11N^2 + 9N + 6)$ MHz
<b>Viterbi Add-Compare Select (ACS)</b>	<b>page B-32</b>	14	$10N + 9$	$60/(10N + 9)$ MHz
<b>Parsing a Data Stream</b>	<b>page B-36</b>	12	13	216.67 ns
<b>Creating a Data Stream</b>	<b>page B-38</b>	12	14	233.3 ns
<b>Parsing a Hoffman Code Data Stream</b>	<b>page B-40</b>	22	22	366.3 ns

The following benchmarks illustrate the source code syntax and programming techniques for the DSP56300 core. The assembly language source is organized into six columns, as shown in **Table B-2**.

**Table B-2.** Example of Assembly Language Source

Label	Opcode	Operands	X Bus Data	Y Bus Data	Comment	P	T
FIR	MAC	X0, Y0, A	X: (R0)+, X0	Y: (R4)+, Y0	;Do each tap	1	1

**Column Legend:**

- Label** For program entry points and end of loop indication
- Opcode** Indicates the Data ALU, Address ALU, or Program Controller operation to be performed; Opcode column must always be included in the source code
- Operands** Specifies the operands used by the opcode
- X Bus Data** Specifies an optional data transfer over the X Bus and the addressing mode to be used
- Y Bus Data** Specifies an optional data transfer over the Y Bus and the addressing mode to be used
- Comment** For documentation purposes; does not affect the assembled code
- P** Provides the number of Program words used by the operation; should not be included in the source code
- T** Provides the number of clock cycles used by the operation; should not be included in the source code

## B.1 Real Multiply

$$c = a \times b \tag{Equation 1}$$

**Table B-3.** Real Multiply

Label	Opcode	Operands	X Bus Data	Y Bus Data	Comment	P	T
	move		x: (r0), x0	y: (r4), y0	;	1	1

**Table B-3.** Real Multiply

Label	Opcode	Operands	X Bus Data	Y Bus Data	Comment	P	T
	mpyr	x0, y0, a			;	1	1
	move		a, x: (r1)		;	1	2 i'lock
<b>Totals</b>						3	4

## B.2 N Real Multiplies

Equation 2

$$c(i) = a(i) \times b(i) \quad i = 1, 2, \dots, N$$

**Table B-4.** N Real Multiplies Memory Map

Pointer	X memory	Y memory
r0	a(i)	
r4		b(i)
r1	c(i)	

**Example B-1.** N Real Multiplies

Label	Opcode	Operands	X Bus Data	Y Bus Data	Comment	P	T
	move	#AADDR, r0			;		
	move	#BADDR, r4			;		
	move	#CADDR, r1			;		
	move		x: (r0)+, x0	y: (r4)+, y0	;	1	1
	mpyr	x0, y0, a	x: (r0)+, x0	y: (r4)+, y0	;	1	1
	do	#N-1, end			;	2	5
	mpyr	x0, y0, a	a, x: (r1)+	y: (r4)+, y0	;	1	1
	move		x: (r0)+, x0		;	1	1
end					;		
	move		a, x: (r1)+		;	1	1
<b>Totals</b>						7	2N + 6

### B.3 Real Update

Equation 3

$$d = c + a \times b$$

**Example B-2. Real Update**

Label	Opcode	Operands	X Bus Data	Y Bus Data	Comment	P	T
	move	#AADDR, r0					
	move	#BADDR, r4					
	move	#CADDR, r1					
	move	#DADDR, r2					
	move		x: (r0), x0	y: (r4), y0	;	1	1
	move		x: (r1), a		;	1	1
	macr	x0, y0, a			;	1	1
	move		a, x: (r2)		;	1	2 i'lock
<b>Totals</b>						4	5

### B.4 N Real Updates

Equation 4

$$d(i) = c(i) + a(i) \times b(i) \quad i = 1, 2, \dots, N$$

**Table B-5. N Real Updates Memory Map**

Pointer	X memory	Y memory
r0	a(i)	
r4		b(i)
r1	c(i)	
r5		d(i)

**Example B-3. N Real Updates**

Label	Opcode	Operands	X Bus Data	Y Bus Data	Comment	P	T
	move	#AADDR, r0			;		
	move	#BADDR, r4			;		

**Example B-3. N Real Updates (Continued)**

move	#CADDR, r1					
move	#DADDR, r5					
move	x: (r0)+, x0	y: (r4)+, y0			1	1
move	x: (r1)+, a				1	1
move	x: (r1)+, b				1	1
do	#N/2, end				2	5
macr	x0, y0, a	x: (r0)+, x1	y: (r4)+, y1		1	1
macr	x1, y1, b	x: (r0)+, x0	y: (r4)+, y0		1	1
move	x: (r1)+, a	a, y: (r5)+			1	1
move	x: (r1)+, b	b, y: (r5)+			1	1
end						
<b>Totals</b>					9	2N + 8

**B.5 Real Correlation or Convolution (FIR Filter)**

Equation 5

$$c(n) = \sum_{i=0}^{N-1} [a(i) \times b(n-i)]$$

**Table B-6. Real Correlation or Convolution (FIR Filter) Memory Map**

Pointer	X memory	Y memory
r0	a(i)	
r4		b(i)

**Example B-4. Real Correlation or Convolution (FIR Filter)**

Label	Opcode	Operands	X Bus Data	Y Bus Data	Comment	P	T
	move	#AADDR, r0					
	move	#BADDR, r4					
	move	#N-1, m4					
	move	m4, m0					

**Example B-4.** Real Correlation or Convolution (FIR Filter) (Continued)

movep	y:input,y:(r4)					1	2
clr	a	x:(r0)+,x0	y:(r4)-,y0			1	1
rep	#N-1					1	5
mac	x0,y0,a	x:(r0)+,x0	y:(r4)-,y0			1	1
macr	x0,y0,a		(r4)+			1	1
movep	a,y:output					1	2 illock
<b>Totals</b>						6	N + 10

**B.6 Real \* Complex Correlation or Convolution (FIR Filter)**

Equation 6

$$cr(n) = jci(n) = \sum_{i=0}^{N-1} [(ar(i) + jai(i)) \times b(n-i)]$$

$$cr(n) = \sum_{i=0}^{N-1} ar(i) \times b(n-i) \quad ci(n) = \sum_{i=0}^{N-1} ai(i) \times b(n-i)$$

**Table B-7.** Real \* Complex Correlation or Convolution (FIR Filter) Memory Map

Pointer	X memory	Y memory
r0	ar(i)	ai(i)
r4	b(i)	
r1	cr(n)	ci(n)

**Example B-5.** Real \* Complex Correlation or Convolution (FIR Filter)

Label	Opcode	Operands	X Bus Data	Y Bus Data	Comment	P	T
	move	#AADDR,r0					



**Example B-5.** Real \* Complex Correlation or Convolution (FIR Filter) (Continued)

move	#BADDR, r4						
move	#CADDR, r1						
move	#N-1, m4						
move	m4, m0						
movep	y:input, x: (r4)					1	2
clr	a	x: (r0), x0				1	1
clr	b	x: (r4) -, x1	y: (r0) +, y0			1	1
do	#N-1, end					2	5
macr	x0, x1, a	x: (r0), x0				1	1
mac	y0, x1, b	x: (r4) -, x1	y: (r0) +, y0			1	1
end							
Label	Opcode	Operands	X Bus Data	Y Bus Data	Comment	P	T
	macr	x0, x1, a				1	1
	macr	y0, x1, b	(r4) +			1	1
	move		a, x: (r1)			1	1
	move			b, y: (r1)		1	1
<b>Totals</b>						11	2N + 11

**B.7 Complex Multiply**

Equation 7

$$cr + jci = (ar + jai) \times (br + jbi)$$

$$cr = ar \times br - ai \times bi \quad ci = ar \times bi + ai \times br$$

**Table B-8.** Complex Multiply Memory Map

Pointer	X memory	Y memory
r0	ar	ai
r4	br	bi
r1	cr	ci

**Example B-6. Complex Multiply**

Label	Opcode	Operands	X Bus Data	Y Bus Data	Comment	P	T
	move	#AADDR, r0					
	move	#BADDR, r4					
	move	#CADDR, r1					
	move		x: (r0), x1	y: (r4), y0	;	1	1
	mpy	y0, x1, b	x: (r4), x0	y: (r0), y1	;	1	1
	macr	x0, y1, b			;	1	1
	mpy	x0, x1, a			;	1	1
	macr	-y0, y1, a		b, y: (r1)	;	1	1
	move		a, x: (r1)		;	1	2 i'lock
<b>Totals</b>						<b>6</b>	<b>7</b>

**B.8 N Complex Multiplies**

**Equation 8**

$$\begin{aligned}
 cr(i) + jci(i) &= (ar(i) + jai(i)) \times (br(i) + jbi(i)) \quad i = 1, 2, \dots, N \\
 cr(i) &= ar(i) \times br(i) - ai(i) \times bi(i) \\
 ci(i) &= ar(i) \times bi(i) + ai(i) \times br(i)
 \end{aligned}$$

**Table B-9. N Complex Multiplies Memory Map**

Pointer	X memory	Y memory
r0	ar(i)	ai(i)
r4	br(i)	bi(i)
r5	cr(i)	ci(i)

**Example B-7. N Complex Multiplies**

Label	Opcode	Operands	X Bus Data	Y Bus Data	Comment	P	T
	move	#AADDR, r0			;		
	move	#BADDR, r4			;		
	move	#CADDR-1, r5			;		
	move		x: (r0), x1	y: (r4), y0	;	1	1
	move		x: (r5), a		;	1	1

**Example B-7. N Complex Multiplies (Continued)**

do	#N, end							2	5
mpy	y0, x1, b	x: (r4) +, x0	y: (r0) +, y1					1	1
macr	x0, y1, b	a, x: (r5) +						1	1
mpy	-y0, y1, a		y: (r4) , y0					1	1
macr	x0, x1, a	x: (r0) , x1	b, y: (r5)					1	1
end									
move	a, x: (r5)							1	2 i'lock
<b>Totals</b>								9	4N + 9

**B.9 Complex Update**

Equation 9

$$dr + jdi = (cr + jci) + (ar + jai) \times (br + jbi)$$

$$dr = cr + ar \times br - ai \times bi \quad di = ci + ar \times bi + ai \times br$$

**Table B-10. Complex Update Memory Map**

Pointer	X memory	Y memory
r0	ar	ai
r4	br	bi
r1	cr	ci
r2	dr	di

**Example B-8. Complex Update**

Label	Opcode	Operands	X Bus Data	Y Bus Data	Comment	P	T
	move	#AADDR, r0					
	move	#BADDR, r4					
	move	#CADDR, r1					
	move	#DADDR, r2					
	move			y: (r1) , b		1	1
	move		x: (r0) , x1	y: (r4) , y0		1	1
	mac	y0, x1, b	x: (r4) , x0	y: (r0) , y1		1	1
	macr	x0, y1, b	x: (r1) , a			1	1

**Example B-8. Complex Update (Continued)**

mac	x0, x1, a					1	1
macr	-y0, y1, a	b, y: (r2)				1	1
move		a, x: (r2)				1	2 i'lock
<b>Totals</b>						7	8

**B.10 N Complex Updates**

**Equation 10**

$$\begin{aligned}
 dr(i) + jdi(i) &= (cr(i) + jci(i)) + (ar(i) + jai(i)) \times (br(i) + jbi(i)) \\
 dr(i) &= cr(i) + ar(i) \times br(i) - ai(i) \times bi(i) \\
 di(i) &= ci(i) + ar(i) \times bi(i) + ai(i) \times br(i) \\
 i &= 1, 2, \dots, N
 \end{aligned}$$

**Table B-11. N Complex Updates Memory Map**

Pointer	X memory	Y memory
r0	ar(i) ; ai(i)	
r4		br(i) ; bi(i)
r1	cr(i) ; ci(i)	
r5		dr(i) ; di(i)

**Example B-9. N Complex Updates**

Label	Opcode	Operands	X Bus Data	Y Bus Data	Comment	P	T
	move	#AADDR, r0					
	move	#BADDR, r4					
	move	#CADDR, r1					
	move	#DADDR-1, r5					
	move		x: (r0)+, x1	y: (r4)+, y0		1	1
	move		x: (r1)+, b	y: (r5), a		1	1
	do	#N, end	;2 5			2	5
	mac	y0, x1, b	x: (r0)+, x0	y: (r4)+, y1		1	1
	macr	-x0, y1, b	x: (r1)+, a	a, y: (r5)+		1	1
	mac	x0, y0, a	x: (r1)+, b	b, y: (r5)+		1	2 i'lock

**Example B-9. N Complex Updates (Continued)**

macr	x1,y1,a	x: (r0)+,x1	y: (r4)+,y0	;	1	1
end						
move		a,y: (r5)+		;	1	2 i'lock
<b>Totals</b>					9	5N + 9

**Table B-12. N Complex Updates Memory Map**

Pointer	X memory	Y memory
r0	ar(i)	ai(i)
r4	br(i)	bi(i)
r1	cr(i)	ci(i)
r5	dr(i)	di(i)

**Example B-10. N Complex Updates**

Label	Opcode	Operands	X Bus Data	Y Bus Data	Comment	P	T
	move	#AADDR, r0			;		
	move	#BADDR, r4			;		
	move	#CADDR, r1			;		
	move	#DADDR-1, r5			;		
	move		x: (r5), a		;	1	1
	move		x: (r0), x1	y: (r4), y0	;	1	1
	move		x: (r4)+, x0	y: (r1), b	;	1	1
	do	#N, end			;	2	5
	mac	y0, x1, b	a, x: (r5)+	y: (r0)+, y1	;	1	1
	macr	x0, y1, b	x: (r1)+, a		;	1	1
	mac	-y0, y1, a	y: (r4), y0		;	1	1
	macr	x0, x1, a	x: (r0), x1	b, y: (r5)	;	1	1
	move		x: (r4)+, x0	y: (r1), b	;	1	1
end							
	move		a, x: (r5)		;	1	1
<b>Totals</b>						11	5N + 9

## B.11 Complex Correlation or Convolution (FIR Filter)

Equation 11

$$cr(n) + jci(n) = \sum_{i=0}^{N-1} [(ar(i) + jai(i)) \times (br(n-i) + jbi(n-i))]$$

$$cr(n) = \sum_{i=0}^{N-1} [ar(i) \times br(n-i) - ai(i) \times bi(n-i)]$$

$$ci(n) = \sum_{i=0}^{N-1} [ar(i) \times bi(n-i) + ai(i) \times br(n-i)]$$

**Table B-13.** Complex Correlation or Convolution (FIR Filter) Memory Map

Pointer	X memory	Y memory
r0	ar(i)	ai(i)
r4	br(i)	bi(i)
r1	cr(i)	ci(i)

**Example B-11.** Complex Correlation or Convolution (FIR Filter)

Label	Opcode	Operands	X Bus Data	Y Bus Data	Comment	P	T
	move	#AADDR, r0			;		
	move	#BADDR, r4			;		
	move	#CADDR, r1					
	move	#N-1, m4					
	move	#m4, m0					
	movep	y:input, x: (r4)				1	2
	movep	y:input, y: (r4)				1	2
	clr	a			;	1	1
	clr	b	x: (r0), x1	y: (r4), y0	;	1	1
	do	#N-1, end			;	2	5
Label	Opcode	Operands	X Bus Data	Y Bus Data	Comment	P	T

**Example B-11. Complex Correlation or Convolution (FIR Filter) (Continued)**

mac	y0,x1,b	x:(r4)-,x0	y:(r0)+,y1	;	1	1
mac	x0,y1,b			;	1	1
mac	x0,x1,a			;	1	1
mac	-y0,y1,a	x:(r0),x1	y:(r4),y0	;	1	1
end						
mac	y0,x1,b	x:(r4),x0	y:(r0)+,y1	;	1	1
macr	x0,y1,b			;	1	1
mac	x0,x1,a			;	1	1
macr	-y0,y1,a			;	1	1
move			b,y:(r1)	;	1	1
move		a,x:(r1)		;	1	1
<b>Totals</b>					16	4N + 13

**B.12 Nth Order Power Series (Real)**

Equation 12

$$c = \sum_{i=0}^{N-1} [a(i) \times b^i]$$

**Table B-14. Nth Order Power Series (Real) Memory Map**

Pointer	X memory	Y memory
r0	a(i)	
r4		b
r1	c	

**Example B-12. Nth Order Power Series (Real)**

Label	Opcode	Operands	X Bus Data	Y Bus Data	Comment	P	T
	move	#AADDR,r0			;		
	move	#BADDR,r4					
	move	#CADDR,r1					
	move		x:(r0)+,a		;	1	1

**Example B-12.** Nth Order Power Series (Real) (Continued)

move		y: (r4), x0		1	1
mpyr	x0, x0, b	x: (r0) +, y0	;	1	1
move		b, y1	;	1	2 i'lock
do	#N-1, end		;	2	5
mac	y0, x0, a	x: (r0) +, y0	;	1	1
mpyr	x0, y1, b	b, x0	;	1	1
end					
macr	y0, x0, a		;	1	1
move		a, x: (r1)	;	1	2 i'lock
<b>Totals</b>				10	2N + 11

**B.13 Second Order Real Biquad IIR Filter**

Equation 13

$$w(n)/2 = x(n)/2 - (a1)/2 \times w(n - 1) - (a2)/2 \times w(n - 2)$$

$$y(n)/2 = w(n)/2 + (b1)/2 \times w(n - 1) + (b2)/2 \times w(n - 2)$$

**Table B-15.** Second Order Real Biquad IIR Filter Memory Map

Pointer	X memory	Y memory
r0	w(n-2), w(n-1)	
r4		a2/2, a1/2, b2/2, b1/2

**Example B-13.** Second Order Real Biquad IIR Filter

Label	Opcode	Operands	X Bus Data	Y Bus Data	Comment	P	T
	move	#AADDR, r0			;		
	move	#BADDR, r4			;		
	move	#1, m0					
	move	#3, m4					



**Example B-13.** Second Order Real Biquad IIR Filter (Continued)

movep	y:input,a					1	1
rnd	a	x:(r0)+,x0	y:(r4)+,y0			1	1
mac	-y0,x0,a	x:(r0)-,x1	y:(r4)+,y0			1	1
mac	-y0,x1,a	x1,x:(r0)+	y:(r4)+,y0			1	1
mac	y0,x0,a	a,x:(r0)	y:(r4),y0			1	2 i'lock
macr	y0,x1,a					1	1
movep	a,y:output					1	2 i'lock
<b>Totals</b>						7	9

**B.14 N Cascaded Real Biquad IIR Filter**

Equation 14

$$w(n)/2 = x(n)/2 - (a1)/2 \times w(n - 1) - (a2)/2 \times w(n - 2)$$

$$y(n)/2 = w(n)/2 + (b1)/2 \times w(n - 1) + (b2)/2 \times w(n - 2)$$

**Table B-16.** N Cascaded Real Biquad IIR Filter Memory Map

Pointer	X memory	Y memory
r0	w(n-2)1, w(n-1)1, w(n-2)2, ...	
r4		(a2/2)1, (a1/2)1, (b2/2)1, (b1/2)1, (a2/2)2, ...

**Table B-17.** N Cascaded Real Biquad IIR Filter

Label	Opcode	Operands	X Bus Data	Y Bus Data	Comment	P	T
	ori	#\$08, mr			i		
	move	#AADDR, r0			i		
	move	#BADDR, r4			i		
	move	##(2N-1), m0			i		
	move	##(4N-1), m4			i		
	move		x:(r0)+,x0	y:(r4)+,y0	i	1	1
	movep	y:input,a			i	1	1

**Table B-17. N Cascaded Real Biquad IIR Filter (Continued)**

do	#N,end					2	5
mac	-y0,x0,a	x:(r0)-,x1	y:(r4)+,y0			1	1
mac	-y0,x1,a	x1,x:(r0)+	y:(r4)+,y0			1	1
mac	y0,x0,a	a,x:(r0)+	y:(r4)+,y0			1	2 i'lock
mac	y0,x1,a	x:(r0)+,x0	y:(r4)+,y0			1	1
end							
rnd	a					1	1
movep	a,y:output					1	2 i'lock
<b>Totals</b>						10	5N + 10

### B.15 N Radix-2 FFT Butterflies (DIT, In-Place Algorithm)

Equation 15

$$\begin{aligned}
 ar' &= ar + cr \times br - ci \times bi & br' &= ar - cr \times br + ci \times bi = 2 \times ar - ar' \\
 ai' &= ai + ci \times br + cr \times bi & bi' &= ai - ci \times br - cr \times bi = 2 \times ai - ai'
 \end{aligned}$$

**Table B-18. N Radix-2 FFT Butterflies (DIT, In-Place Algorithm) Memory Map**

Pointer	X memory	Y memory
r0	ar(i)	ai(i)
r1	br(i)	bi(i)
r6	cr(i)	ci(i)
r4	ar'(i)	ai'(i)
r5	br'(i)	bi'(i)

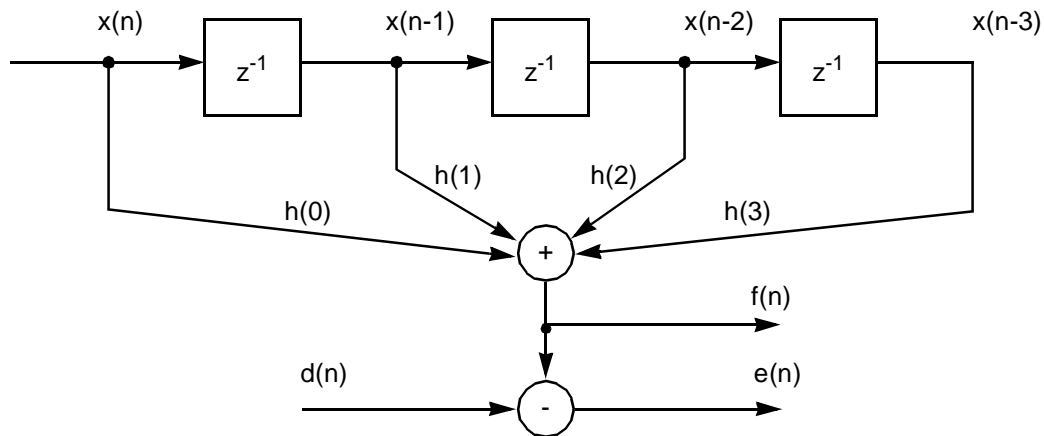
**Example B-14. N Radix-2 FFT Butterflies (DIT, In-Place Algorithm)**

Label	Opcode	Operands	X Bus Data	Y Bus Data	Comment	P	T
	move	#AADDR, r0					
	move	#BADDR, r1					
	move	#CADDR, r6					
	move	#ATADDR, r4					
	move	#BTADDR-1, r5					
	move		x:(r1),x1	y:(r6),y0		1	1

**Example B-14.** N Radix-2 FFT Butterflies (DIT, In-Place Algorithm) (Continued)

move		x: (r5) ,a	y: (r0) ,b	1	1
do	#N,end			2	5
mac	y0,x1,b	x: (r6)+n,x0	y: (r1) ,y1	1	1
macr	x0,y1,b	a,x: (r5)+	y: (r0) ,a	1	1
subl	b,a			1	1
move		x: (r0) ,b	b,y: (r4)	1	1
mac	x0,x1,b	x: (r0) +,a	a,y: (r5)	1	1
macr	-y0,y1,b	x: (r1) ,x1	y: (r6) ,y0	1	1
subl	b,a	b,x: (r4)+	y: (r0) ,b	1	2 i'lock
end					
move		a,x: (r5)+		1	2 i'lock
<b>Totals</b>				12	8N + 9

## B.16 True (Exact) LMS Adaptive Filter



- $x(n)$  Input sample at time  $n$
- $d(n)$  Desired signal at time  $n$
- $f(n)$  FIR filter output at time  $n$
- $H(n)$  Filter coefficient vector at time  $n$ .  $H = \{h_0, h_1, h_2, h_3\}$
- $X(n)$  Filter state variable vector at time  $N$ ,  $X = \{x(n), x(n - 1), x(n - 2), x(n - 3)\}$
- $u$  Adaptation Gain
- NTAPS Number of coefficient taps in the filter. For this example, NTAPS = 4

**Figure B-1.** True (Exact) LMS Adaptive Filter

**Table B-19.** System Equations

True LMS Algorithm	Delayed LMS Algorithm
$e(n) = d(n) - H(n) \times (n)$	$e(n) = d(n) - H(n) \times (n)$
$H(n + 1) = H(n) + uX(n)e(n)$	$H(n + 1) = H(n) + uX(n - 1)e(n - 1)$

**Table B-20.** LMS Algorithms

True LMS Algorithm	Delayed LMS Algorithm
Get input sample	Get input sample
Save input sample	Save input sample
Do FIR	Do FIR
Get $d(n)$ , find $e(n)$	Update coefficients
Update coefficients	Get $d(n)$ , find $e(n)$

**Table B-20.** LMS Algorithms (Continued)

True LMS Algorithm	Delayed LMS Algorithm
Output $f(n)$	Output $f(n)$
Shift vector $X$	Shift vector $X$

**Table B-21.** True (Exact) LMS Adaptive Filter Memory Map

Pointer	X memory	Y memory
r0	$x(n), x(n-1), x(n-2), x(n-3)$	
r4, r5		$h(0), h(1), h(2), h(3)$

**Example B-15.** True (Exact) LMS Adaptive Filter

Label	Opcode	Operands	X Bus Data	Y Bus Data	Comment	P	T
	move	#-2, n0			;		
	move	n0, n4					
	move	#NTAPS-1, m0			;		
	move	m0, m4			;		
	move	m0, m5			;		
	move	#AADDR+NTAPS-1, r0			;		
	move	#BADDR, r4			;		
	move	r4, r5			;		
_getsmp							
	movep	y:input, x0			; input sample	1	1
	clr	a	x0, x: (r0)+	y: (r4)+, y0	; save	1	1
					; X(n), get h0		
	rep	#NTAPS-1			; do fir	1	5
					; do taps		
	mac	x0, y0, b	x: (r0)+, x0	y: (r4)+, y0	;	1	1
					; last tap		
	macr	x0, y0, b			;	1	1
					; Get d(n), subtract fir output, multiply by "u",		
					; put the result in y1.		

**Example B-15. True (Exact) LMS Adaptive Filter (Continued)**

; This section is application dependent.

```

    move    x:(r0)+,x0    y:(r4)+,a
    movep   b,y:output    ; output fir if desired
    move    y:(r4)+,b
    do      #NTAPS/2,    ;
           cup
    macr    x0,x1,a      x:(r0)+,x0    y:(r4)+,y0    ;
    macr    x0,x1,b      x:(r0)+,x0    y:(r4)+,y1    ;
    tfr     y0,a          a,y:(r5)+
    tfr     y0,b          b,y:(r5)+
cup
    move    x:(r0)+n0,   y:(r4)+n4,    ;
           x0            y0
; continue looping (jmp _getsmp)

```

	1	1
	1	1
	1	1
	2	5
	1	1
	1	1
	1	1
	1	1
	1	1
<b>Totals</b>	15	3N + 16

**B.17 Delayed LMS Adaptive Filter**

- Error signal is in y1
- FIR sum in a = a + h(k)old \* x(n - k)
- h(k)new in b = h(k)old + error \* x(n - k - 1)

**Table B-22. Delayed LMS Adaptive Filter Memory Map**

Pointer	X memory	Y memory
r0	x(n), x(n - 1), x(n - 2), x(n - 3), x(n - 4)	
r5, r4		dummy, h(0), h(1), h(2), h(3)

**Example B-16. Delayed LMS Adaptive Filter**

Label	Opcode	Operands	X Bus Data	Y Bus Data	Comment	P	T
	move	#STATE, r0			; start of X		
	move	#2, n0			; used for pointer update		
	move	#NTAPS, m0			; number of filter taps		

**Example B-16. Delayed LMS Adaptive Filter (Continued)**

	move	#COEF+1,r4			; start of H		
	move	m0,m4			; number of filter taps		
	move	#COEF,r5			; start of H-1		
	move	m4,m5			; number of filter taps		
	movep	y:input,a			; get input sample	1	1
	move	a,x:(r0)			; save input sample	1	1
	clr	a	x:(r0)+,x0		; x0<-x(n)	1	1
	move		x:(r0)+,x1	y:(r4)+,y0		1	1
					; x1<-x(n-1); y0<-h(0)		
	do	#TAPS/2,lms				2	5
					;a<-h(0)*x(n) b<-h(0) Y<-dummy		
	mac	x0,y0,a	y0,b	b,y:(r5)+		1	2 i'lock
					;b<-H(0)=h(0)+e*x(n-1), x0<-x(n-2), y0<-h(1)		
	macr	x1,y1,b	x:(r0)+,x0	y:(r4)+,y0		1	1
					;a<-a+h(1)*x(n-1); b<-h(1); Y(0)<-H(0)		
	mac	x1,y0,a	y0,b	b,y:(r5)+		1	2 i'lock
					;b<-H(1)=h(1)+e*x(n-2); x1<-x(n-3); y0<-h(2)		
	macr	x0,y1,b	x:(r0)+,x1	y:(r4)+,y0		1	1
lms							
	movep	a,y:output				1	1
	move	b,y:(r5)+			; Y<-last coef	1	1
	move	(r0)-n0			; update pointer	1	1
					<b>Totals</b>	13	3N + 12

## B.18 FIR Lattice Filter

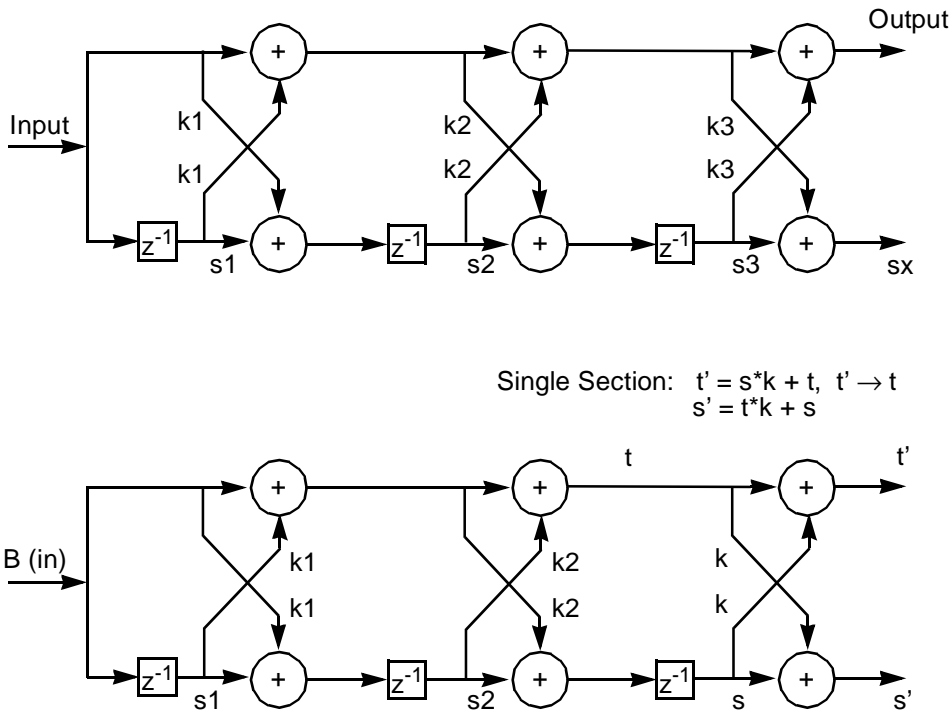


Figure B-2. FIR Lattice Filter

Table B-23. FIR Lattice Filter Memory Map

Pointer	X memory	Y memory
r0	s1, s2, s3, sx	
r4		k1, k2, k3

Example B-17. FIR Lattice Filter

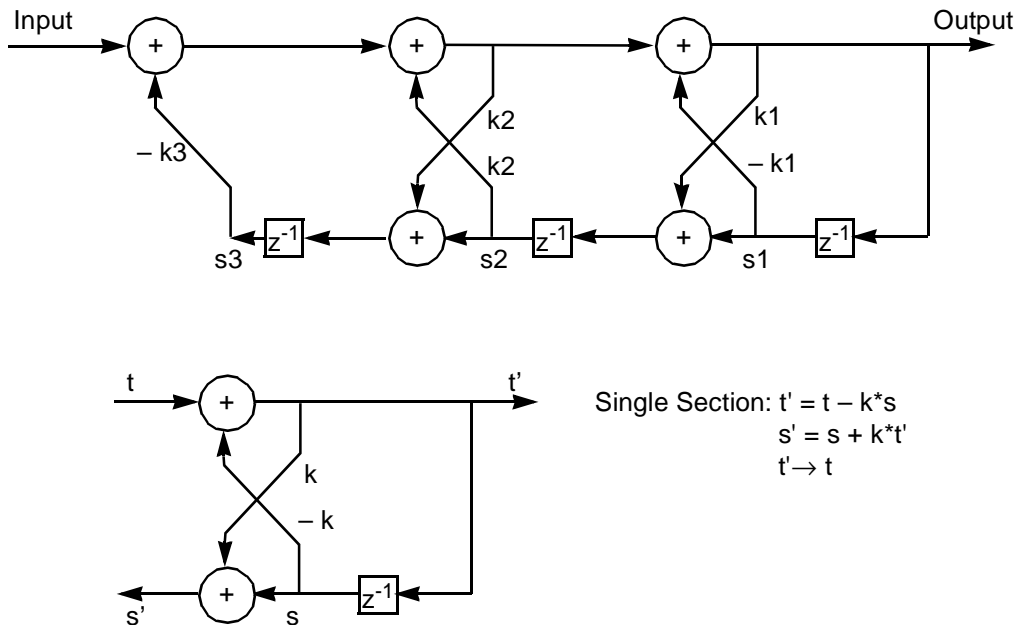
Label	Opcode	Operands	X Bus Data	Y Bus Data	Comment	P	T
	move	#S, r0			; point to s		
	move	#N, m0			; N = number of k coefficients		
	move	#K, r4			; point to k coefficients		
	move	#N-1, m4			; mod for k's		
	movep	y:datin, b			; get input	1	1
	move	b, a			; save first state	1	1
Label	Opcode	Operands	X Bus Data	Y Bus Data	Comment	P	T



**Example B-17. FIR Lattice Filter (Continued)**

move	x:(r0),x0	y:(r4)+,y0	; get s, get k	1	1	
do	#N,_elat		;	2	5	
macr	x0,y0,b	b,y1	; s*k+t, copy t ; for mul	1	1	
tfr	x0,a	a,x:(r0)+	; save s', ; copy next s	1	1	
macr	y1,y0,a	x:(r0),x0	y:(r4)+,y0	; t*k+s, get s, ; get k	1	1
_elat						
move	a,x:(r0)+	y:(r4)-,y0	; adj r4, ; dummy load	1	1	
movep	b,y:datout		; output sample	1	1	
<b>Totals</b>				10	3N + 10	

**B.19 All Pole IIR Lattice Filter**



**Figure B-3. All Pole IIR Lattice Filter**

**Table B-24.** All Pole IIR Lattice Filter Memory Map

Pointer	X memory	Y memory
r0	k3, k2, k1	
r4		s3, s2, s1

**Example B-18.** All Pole IIR Lattice Filter

Label	Opcode	Operands	X Bus Data	Y Bus Data	Comment	P	T	
	move	#k+N-1, r0			;point to k			
	move	#N-1, m0			;number of k's-1			
	move	#STATE, r4			;point to filter states			
	move	m0, m4			;mod for states			
	move	#1, n4			;			
	movep	y: datin, a		y: (r4)+, b	;get input	1	1	
	move		x: (r0)-, x0	y: (r4)+, y0	;get s, get k	1	1	
	macr	-x0, y0, a	x: (r0)-, x0	y: (r4), y0	;s*k+t	1	1	
Label	Opcode	Operands	X Bus Data	Y Bus Data	Comment	P	T	
	do	#N-1, _endl at			;do sections	2	5	
	macr	-x0, y0, a		y: (r4)+, y1	;	1	1	
	tfr	y1, b	a, x1	b, y: (r4)	;	1	2 ilock	
	macr	x1, x0, b	x: (r0)-, x0	y: (r4), y0		1	1	
_endlat								
	movep	a, y: datout				1	1	
	move		x: (r0)+, x0	y: (r4)+, r0	;output sample	1	1	
	move	b, y: (r4)+			;save s'	1	1	
		;save last s', update r4						
	move		a, y: (r4)			1	1	
<b>Totals</b>						12	4N + 8	

## B.20 General Lattice Filter

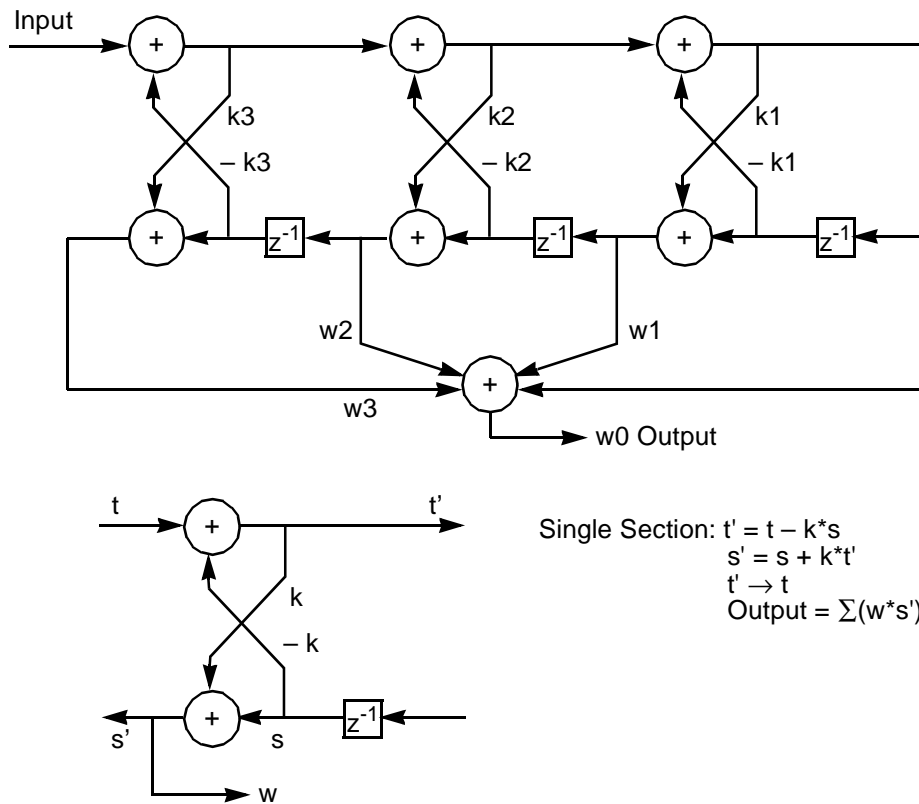


Figure B-4. General Lattice Filter

Table B-25. General Lattice Filter Memory Map

Pointer	X memory	Y memory
r0	k3, k2, k1, w3, w2, w1, w0	
r4		s4, s3, s2, s1

Example B-19. General Lattice Filter

Label	Opcode	Operands	X Bus Data	Y Bus Data	Comment	P	T
	move	#K, r0			;point to coefficients		
	move	#2*N, m0			;mod 2*(# of k's)+1		
	move	#STATE, r4			;point to filter states		
	move	#-2, n4					
Label	Opcode	Operands	X Bus Data	Y Bus Data	Comment	P	T

**Example B-19. General Lattice Filter (Continued)**

move	#N,m4			;mod on filter states		
movep	y:datin,a			;get input	1	1
move		x:(r0)+,x0	y:(r4)-,y0		1	1
do	#N,_endlat				2	5
macr	-x0,y0,a			;	1	1
tfr	y0,b	a,x1	b,y:(r4)+n4	;	1	2 i'lock
macr	x1,x0,b	x:(r0)+,x0	y:(r4)-,y0	;	1	1
_endlat						
move			b,y:(r4)+	;save s'	1	2 i'lock
clr	a		a,y:(r4)+	;save last s', ; update r4	1	1
move			y:(r4)+,y0		1	1
rep	#N			;	1	5
mac	x0,y0,a	x:(r0)+,x0	y:(r4)+,y0	;s*w+out, ; get s, get w	1	1
macr	x0,y0,a			;last mac	1	1
movep	a,y:datout			;output sample	1	2 i'lock
<b>Totals</b>					<b>14</b>	<b>5N + 19</b>

## B.21 Normalized Lattice Filter

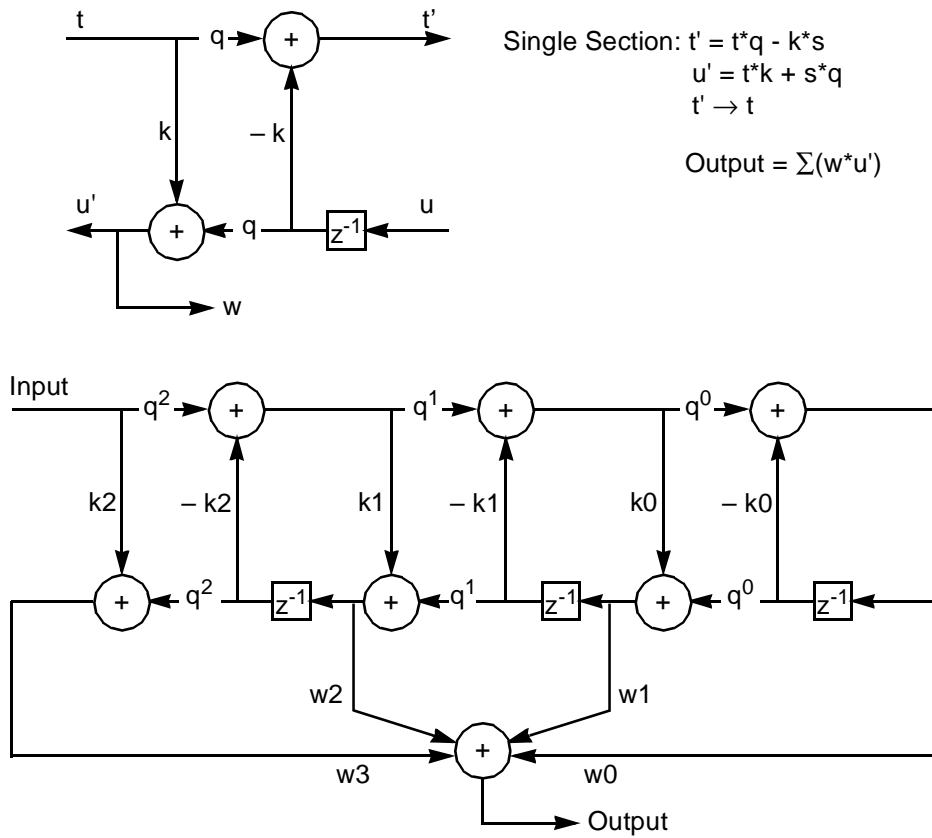


Figure B-3. Normalized Lattice Filter

Table B-26. Normalized Lattice Filter Memory Map

Pointer	X memory	Y memory
r0	q2, k2, q1, k1, q0, k0, w3, w2, w1, w0	
r4		sx, s2, s1, s0

**Example B-20. Normalized Lattice Filter**

Label	Opcode	Operands	X Bus Data	Y Bus Data	Comment	P	T
	move	#COEF, r0			; point to ; coefficients		
	move	#3*N, m0			; mod on ; coefficients		
	move	#STATE+1, r4			; point to ; state variables		
	move	#N, m4			; mod on filter ; states		
	movep	y: datin, y0			; get input sample	1	1
	move		x: (r0)+, x1		; get q in the ; table	1	1
	do	#N, _elat				2	5
	mpy	x1, y0, a	x: (r0)+, x0	y: (r4), y1	; q * t, get k, get s	1	1
	macr	-x0, y1, a		b, y: (r4)+	; q * t - k * s, ; save new s	1	1
	mpy	x0, y0, b			; k * t	1	1
	macr	x1, y1, b	x: (r0)+, x1	a, y0	; k * t + q * s ; get next q, set t'	1	1
_elat							
	move	b, y: (r4)+			; save second ; last state	1	2 i'lock
	move	a, y: (r4)+			; save last state	1	1
	clr	a		y: (r4)+, y0	; clear a, get ; first state	1	1
	rep	#N				1	5
	mac	x1, y0, a	x: (r0)+, x1	y: (r4)+, y0	; fir taps	1	1
	macr	x1, y0, a	(r4)+		; round, ; adj pointer	1	1
	movep	a, y: datout			; output sample	1	2 i'lock
<b>Totals</b>						<b>15</b>	<b>5N + 19</b>

## B.22 [1 × 3][3 × 3] Matrix Multiplication

**Example B-21.** [1 × 3][3 × 3] Matrix Multiplication

Label	Opcode	Operands	X Bus Data	Y Bus Data	Comment	P	T
_init							
	move	#MAT_A, r0			;point to A matrix		
	move	#MAT_B, r4			;point to B matrix		
	move	#MAT_X, r1			;output X matrix		
	move	#2, m0			;mod 3		
	move	#8, m4			;mod 9		
	move	m0, m1			;mod 3		
_start							
	move	x: (r0)+, x0	y: (r4)+, y0			1	1
	mpy	x0, y0, a	x: (r0)+, x0	y: (r4)+, y0		1	1
	mac	x0, y0, a	x: (r0)+, x0	y: (r4)+, y0		1	1
	macr	x0, y0, a	x: (r0)+, x0	y: (r4)+, y0		1	1
	mpy	x0, y0, b	x: (r0)+, x0	y: (r4)+, y0		1	1
	move			a, y: (r1)+		1	1
	mac	x0, y0, b	x: (r0)+, x0	y: (r4)+, y0		1	1
	macr	x0, y0, b	x: (r0)+, x0	y: (r4)+, y0		1	1
	mpy	x0, y0, a	x: (r0)+, x0	y: (r4)+, y0		1	1
	move			b, y: (r1)+		1	1
	mac	x0, y0, a	x: (r0)+, x0	y: (r4)+, y0		1	1
	macr	x0, y0, a				1	1
	move			a, y: (r1)+		1	2 i'lock
_end							
<b>Totals</b>						13	14

## B.23 N Point $3 \times 3$ 2-D FIR Convolution

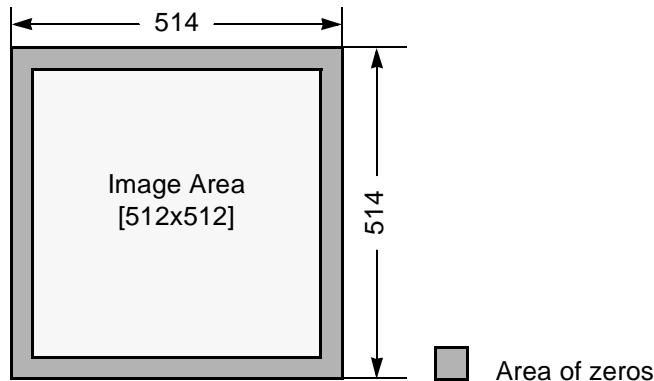
The two-dimensional FIR uses a  $[3 \times 3]$  coefficient mask:

$$\begin{array}{ccc} c(1,1) & c(1,2) & c(1,3) \\ c(2,1) & c(2,2) & c(2,3) \\ c(3,1) & c(3,2) & c(3,3) \end{array}$$

The coefficient mask is stored in Y memory in the following order:

$$c(1,1), c(1,2), c(1,3), c(2,1), c(2,2), c(2,3), c(3,1), c(3,2), c(3,3).$$

The image is an array of  $512 \times 512$  pixels. To provide boundary conditions for the FIR filtering, the image is surrounded by a set of zeros such that the image is actually stored as a  $514 \times 514$  array.



**Figure B-1.** FIR Filtering

The image (with boundary) is stored in row major storage. The first element of the array image(,) is image(1,1) followed by image(1,2). The last element of the first row is image(1,514) followed by the beginning of the next column image(2,1). These are stored sequentially in the array “im” in X memory:

- Image(1,1) maps to index 0, image(1,514) maps to index 513;
- Image(2,1) maps to index 514 (row major storage).

Although many other implementations are possible, this is a realistic type of image environment in which the actual size of the image may not be an exact power of 2. Other possibilities include storing a  $512 \times 512$  image but computing only a  $511 \times 511$  result, computing a  $512 \times 512$  result without boundary conditions but throwing away the pixels on the border, and so on.



**Table B-27.** N Point 3 × 3 2-D FIR Convolution Memory Map

Pointer	X memory	Y memory
r0	image(n,m) image(n,m+1) image(n,m+2)	
r1	image(n+514,m) image(n+514,m+1) image(n+514,m+2)	
r2	image(n+2*514,m) image(n+2*514,m+2) image(n+2*514,m+3)	
r4		FIR coefficients
r5		output image

**Example B-22.** N Point 3 × 3 2-D FIR Convolution

Label	Opcode	Operands	X Bus Data	Y Bus Data	Comment	P	T
	move	#MASK, r4			;point to coefficients		
	move	#8, m4			;mod 9		
	move	#IMAGE, r0			;top boundary		
	move	#IMAGE+514, r1			;left of first pixel		
					;left of first pixel 2nd row		
	move	#IMAGE+2*514, r2			;		
					;adjust. for end of row		
	move	#2, n1			;		
	move	n1, n2			;		
	move	#IMAGEOUT, r5			;output image		
					;first element, c(1,1)		
	move		x: (r0)+, x0	y: (r4)+, y0	;	1	1
	do	#512, row			;	2	5
	do	#512, col			;	2	5
	mpy	x0, y0, a	x: (r0)+, x0	y: (r4)+, y0	;c(1,2)	1	1
	mac	x0, y0, a	x: (r0)-, x0	y: (r4)+, y0	;c(1,3)	1	1
Label	Opcode	Operands	X Bus Data	Y Bus Data	Comment	P	T
	mac	x0, y0, a	x: (r1)+, x0	y: (r4)+, y0	;c(2,1)	1	1

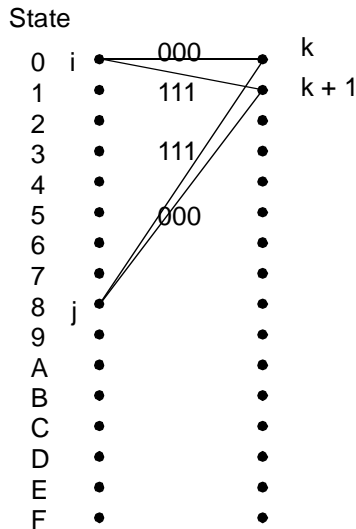
**Example B-22. N Point 3 × 3 2-D FIR Convolution (Continued)**

mac	x0,y0,a	x:(r1)+,x0	y:(r4)+,y0	;c(2,2)	1	1
mac	x0,y0,a	x:(r1)-,x0	y:(r4)+,y0	;c(2,3)	1	1
mac	x0,y0,a	x:(r2)+,x0	y:(r4)+,y0	;c(3,1)	1	1
mac	x0,y0,a	x:(r2)+,x0	y:(r4)+,y0	;c(3,2)	1	1
mac	x0,y0,a	x:(r2)-,x0	y:(r4)+,y0	;c(3,3)	1	1
; preload, get c(1,1)						
macr	x0,y0,a	x:(r0)+,x0	y:(r4)+,y0	;	1	1
;output image sample						
move			a,y:(r5)+	;	1	2 i'lock
col						
; adjust pointers for frame boundary, adj r0,r5 w/dummy loads						
move		x:(r0)+,x0	y:(r5)+,y1	;	1	1
; adj r1,r5 w/dummy loads						
move		x:(r1)+n1,	y:(r5)+,y1	;	1	1
		x0				
; adj r2 (dummy load y1), preload x0 for next pass						
move		x:(r0)+,x0		;	1	1
move			y:(r2)+n2,y1		1	1
row						
<b>Totals</b>					P = 19 T = 11N <sup>2</sup> + 9N + 6	

**B.24 Viterbi Add-Compare-Select (ACS)**

This routine implements the Viterbi algorithm kernel. The algorithm is parametric and fits any valid values of Trellis states number and any branch metrics.

**Example of Viterbi Butterfly:  
16-State R=1/3 Trellis Structure - Butterfly Pairs**



Note: Branch metric of XXX = – (Branch metric of bit inverse of XXX)  
For example, Branch metric (001) = – (Branch metric (110)).

**Figure B-2.** Viterbi Butterfly

Given Branch Metric value (BrM), ACS should perform as follows:

- Fetch path metric of state(i) –  $S_i$ .
- Fetch path metric of state(j) –  $S_j$ .
- Add BrM to  $S_i$ .
- Subtract BrM from  $S_j$ .
- Compare and select the greater of the two:  
Next  $S_k = \text{Max} (S_i + \text{BrM}, S_j - \text{BrM})$ .
- Store the result in next-state path-metric memory location.
- Update the state's Trellis history with the selection bit.
- Perform the similar task for:  
Next  $S_{k+1} = \text{Max} (S_i - \text{BrM}, S_j + \text{BrM})$ .

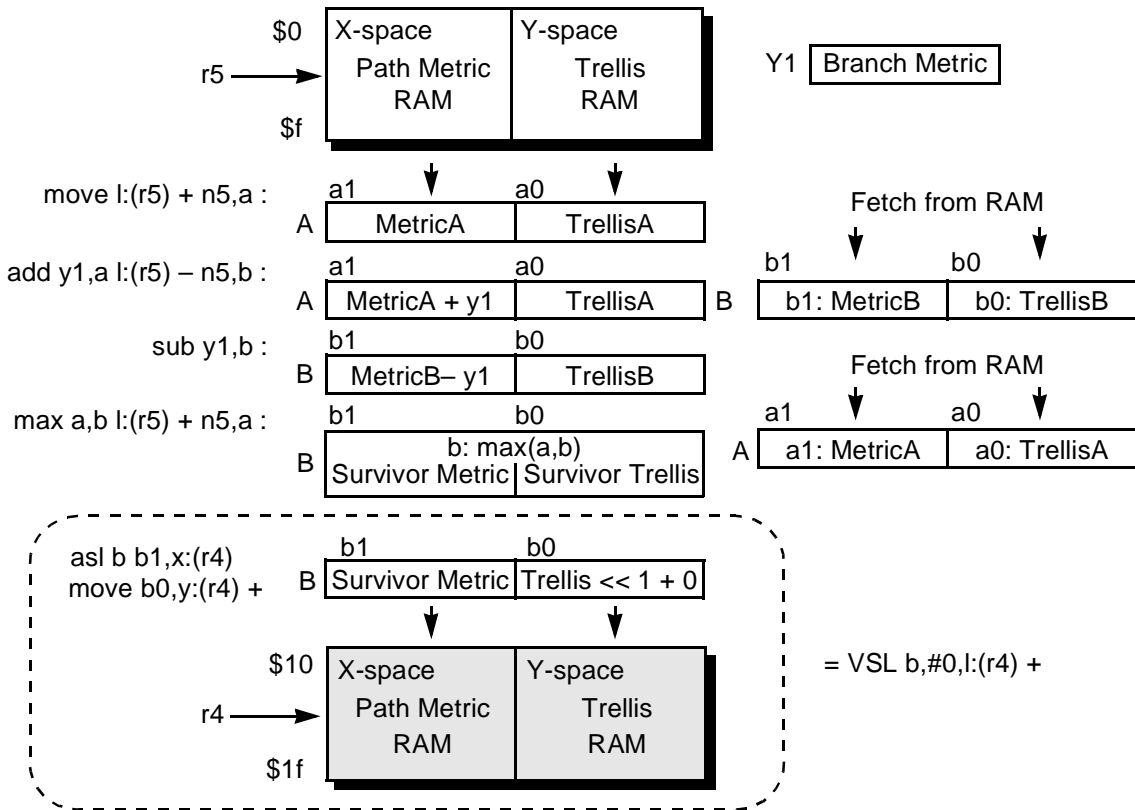


Figure B-3. ACS Butterfly—First Half

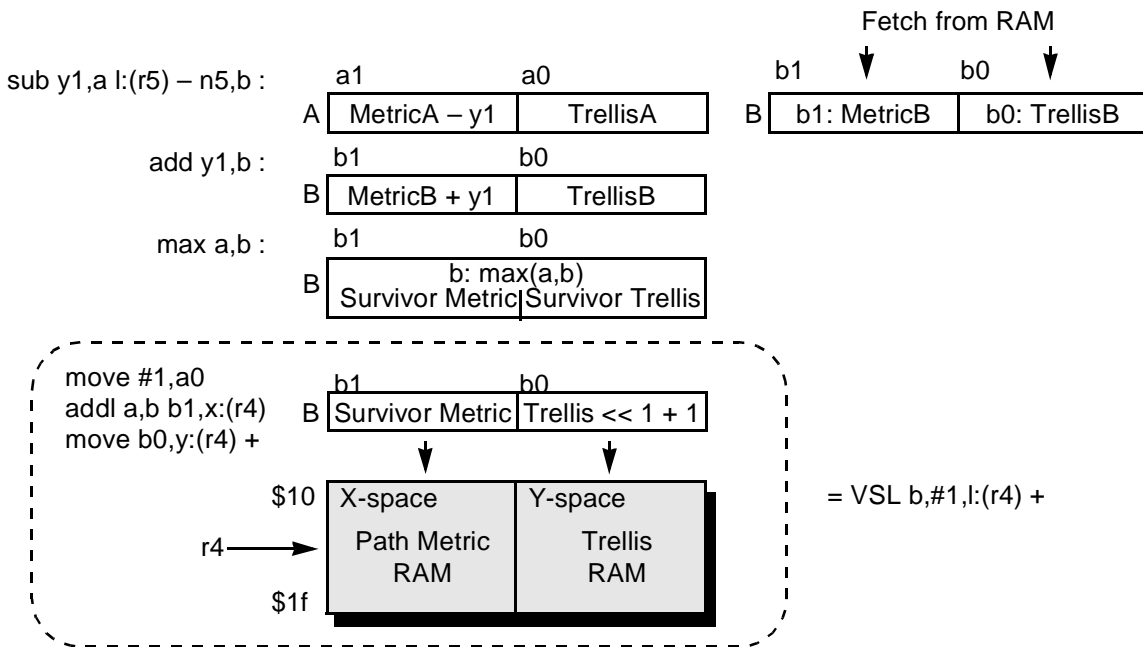


Figure B-4. ACS Butterfly—Second Half

**Example B-23. Viterbi Add-Compare-Select (ACS)**

Label	Opcode	Operands	X Bus Data	Y Bus Data	Comment	P	T
					; r0—R/W pointer to branch-metric table.		
					; r4—write pointer - path metric Present State tables.		
					; r5—read pointer - path metric tables Previous State.		
					; n5—bit-count value, used for decode loop.		
					; y1—given Brm for ACS loop		
					; x0—tmp register		
ComputeBrMtrc:					;		
					; for the general case, assuming that the branch metrics are		
					; calculated and prepared as table at y:(r0) location		
	move			y:(r0)+,y1		1	1
					; load first branch metric.		
	move		l:(r5)+n5,a			1	1
					; a0 <- trellis, a1 <- PathMetr		
					; main ACS loop		
	do	#NoOfAcsButt,NextStage			;	2	5
	add	y1,a	l:(r5)-n5,b			1	1
					; a=a+y1, b0 <- trellis, b1 <- PthMt		
	sub	y1,b			; b=b-y1	1	1
	max	a,b	l:(r5)+n5,a			1	2
					; b=max(a,b)   refetch a		
	vsl		b,#0,l:(r4)+			1	1
					; store survivor path metric & trellis		
	sub	y1,a	l:(r5)-n5,b			1	1
					; a=a-y1   refetch b		
	add	y1,b	x:(r5)+,x0	y:(r0)+,y1		1	1
					; b=b+y1   increment r5   load next brm.		
	max	a,b	l:(r5)+n5,a			1	2
					; b=max(a,b)   fetch next a		
	vsl		b,#1,l:(r4)+			1	1

**Example B-23.** Viterbi Add-Compare-Select (ACS) (Continued)

Label	Opcode	Operands	X Bus Data	Y Bus Data	Comment	P	T
					; store survivor path metric & trellis		
					NextStage		
	move		#branch_tbl,r0			2	2
					; set r0 to start of br. metric table.		
<b>Totals</b>						14	10N + 9

**B.25 Parsing a Data Stream**

This routine implements parsing of a data stream for MPEG audio. The data stream, composed by concatenated words of variable length, is allocated in consecutive memory words. The word lengths reside in another memory buffer. The routine extracts words from the data stream according to their length. Two consecutive words are read from the stream buffer and are concatenated in the accumulator. Using bit offset and the specified length, a field of variable length can be extracted. The decision whether to load a new memory word into the accumulator from the stream is determined when bit offset overflow to the LSP of the accumulator. The following describes the pointers and registers used by the routine:

- r0—pointer to the buffer in X memory containing the variable length stream
- r5—pointer to buffer in Y memory where the length of each field is stored

**Example B-24.** Parsing Data Stream

Label	Opcode	Operands	X Bus Data	Y Bus Data	Comment	P	T
init_					; this is the initialization code		
	move	#stream_buffer,r0					
	move	#length_buffer,r5					
	move	#bits_offset,r4					
	move	#boundary,r3					
	move	#>48,b					
	move	#>24,x0					
	move		x0,x:(r3)	b,y:(r4)			

**Example B-24. Parsing Data Stream (Continued)**

Get_bits							
Label	Opcode	Operands	X Bus Data	Y Bus Data	Comment	P	T
					; bring length of next field and '24'		
	move		x:(r3),x0	y:(r5)+,y1		1	1
					; bring word for parsing and "bits offset"		
	move		x:(r0)+,a	y:(r4),b		1	1
					; bring next word for parsing, point back to first word		
	move		x:(r0)-,a0			1	1
					; calculate new "bits offset", r1 points to current ; word		
	sub	y1,b	r0,r1			1	1
					; save "bits offset" in x1		
	move	b,x1				1	2
					; merge width and offset		
	merge	y1,b				1	1
					; extract the field according to b, place it in a		
	extract	b1,a,a				1	1
					; restore "bits offset", r0 points to next word		
	tfr	x1,b	(r0)+			1	1
					; compare "bits offset" to 24, extracted word to a1		
	cmp	x0,b	a0,a			1	1
					; if "bits offset" is less than or equal to 24, another ; word is needed to update "bits offset" and point to ; next word		
	add	x0,b	if1e			1	1
	tgt		r1,r0			1	1
					; save "bits field" in memory		
	move		b1,y:(r4)			1	1
<b>Totals</b>						<b>12</b>	<b>13</b>

## B.26 Creating a Data Stream

The routine discussed in this section creates a data stream for MPEG audio. Words of variable length are concatenated and stored in consecutive memory words. The words for generating the stream are allocated in a memory buffer and are right-aligned. The word lengths reside in another memory buffer. The word and its length are loaded for insertion. A word is read from the stream buffer into the accumulator. Using a bit offset and the specified length, a field of variable length is inserted into the accumulator. The accumulator is stored containing the new concatenated field. The decision whether to read a new word from the stream is made when bit offset overflow to the LSP of the accumulator. Following are the pointers and registers used by the routine:

- r0—pointer to a buffer in X memory, containing the variable length codes—the code is right-aligned at each location
- r2—pointer to a buffer in X memory containing the stream generated
- r4—pointer to a buffer in Y memory where the actual length of each field is stored
- r3—pointer to a location that stores the “bits offset,” the number of bits left to be consumed, 48 initially
- r5—pointer to a location storing the constant 24
- r1—used as temporary storage (no need to initialize)
- x0—stores the current word to be inserted
- y1—stores the length of the code brought in x0
- y0—stores 24

**Table B-28.** Creating Data Stream Memory Map

Pointer	X memory	Y memory
r0	data buffer	
r2	stream buffer	
r4		length buffer
r3		“bits offset”
r5		24



## Example B-25. Creating Data Stream

Label	Opcode	Operands	X Bus Data	Y Bus Data	Comment	P	T
init_					;this is the initialization code		
	move	#data_buffer,r0					
	move	#stream_buffer,r2					
	move	#length_buffer,r4					
	move	#bits_offset,r3					
	move	#boundary,r5					
	move	#>48,b					
	move	#>24,y0					
	move		b,x:(r3)	y0,y:(r5)			
Put_bits							
					; bring code and its length		
	move		x:(r0)+,x0	y:(r4)+,y1		1	1
					; bring "bits offset" and '24'		
	move		x:(r3),b	y:(r5),y0		1	1
					; calculate new "bits offset", bring current word ; from stream buffer		
	sub	y1,b	x:(r2),a			1	1
					; save "bits offset" in x1		
	move	b,x1				1	2
					; merge width and offset		
	merge	y1,b				1	1
					; insert the field according to b, place it in a		
	insert	b1,x0,a				1	1
					; restore "bits offset", r1 points to current word		
	tfr	x1,b	r2,r1			1	1
					; compare "bits offset" to 24, send new word to stream ; buffer		
	cmp	y0,b	a1,x:(r2)+			1	1

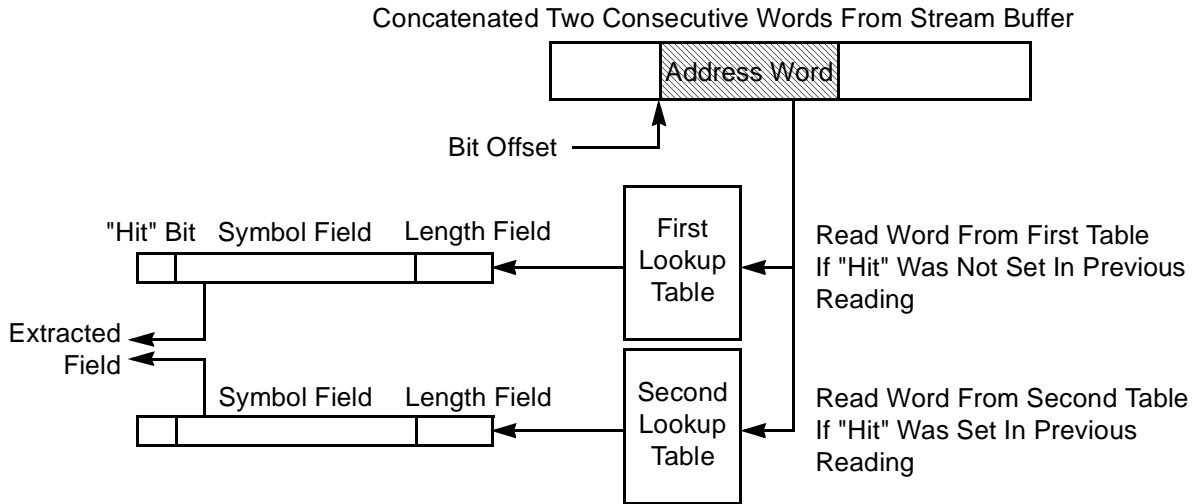
**Example B-25. Creating Data Stream (Continued)**

Label	Opcode	Operands	X Bus Data	Y Bus Data	Comment	P	T
					; send a0 to next location in stream buffer in case of ; crossing boundary		
	move		a0,x:(r2)			1	2
					; if "bits offset" is less than or equal to 24, then ; update "bits offset" and point to the next word ; in stream buffer		
	add	y0,b	ifl			1	1
	tgt		r1,r2			1	1
					; save "bits offset" in memory		
	move		b1,y:(r4)			1	1
<b>Totals</b>						12	14

**B.27 Parsing a Hoffman Code Data Stream**

The routine discussed in this section parses a Hoffman code data stream. It extracts a bit field from the stream and brings two consecutive words to the accumulator from the stream buffer. An address word is extracted using a bit offset and a field length. The field length is determined by the number of bits needed by the address of the two Hoffman code lookup tables. A word is loaded from the first lookup table. If the "Hit" bit in the word is not set, then a field of variable length is extracted. The length of the extracted field is specified in the length field in the word. The bit offset is updated according to the length of the extracted word. If the "Hit" bit in the word is set, a new address word is read from the stream. A word is brought from the second lookup table. The bit field is extracted according to the same guidelines.

The flow chart in **Figure B-5** demonstrates the parsing process:



**Figure B-5.** Parsing Process

Following are the pointers and registers used by the routine:

- r0—pointer to the buffer in X memory containing the stream
- r1—used as temporary storage (no need to initialize)
- r3—pointer to buffer in Y memory where the extracted fields are stored
- r5—pointer to a location that stores the “bits offset”, number of bits left to be consumed, 48 initially
- r2—pointer to the right table
- r6—pointer to the first lookup table
- r7—pointer to the second lookup table
- r4—pointer to constants

**Table B-29.** Parsing Hoffman Code Data Stream Memory Map

Pointer	X memory	Y memory
r0	stream buffer	
r3	extracted data buffer	
r5		“bits offset”
r4		#no.1 address bus length
		#no.2 mask word for length field
		#no.3 merged width and offset
		'24'
r6	first lookup table	
r7	second lookup table	

**Example B-26. Parsing Hoffman Code Data Stream**

Label	Opcode	Operands	X Bus Data	Y Bus Data	Comment	P	T
init_					;this is the initialization code		
	move	#stream_buffer,r0					
	move	#data_buffer,r3					
	move	#bits_offset,r5					
	move	#constants,r4					
	move	#first_table,r2					
	move	#first_table,r6					
	move	#second_table,r7					
					;move constants to memory		
	move	#>48,b					
	move	b,y:(r5)					
	move	#>3,n4					
	move	#n0_1,y1					
	move	y1,y:(r4)+					
	move	#n0_2,y1					
	move	y1,y:(r4)+					
Label	Opcode	Operands	X Bus Data	Y Bus Data	Comment	P	T
	move	#n0_3,y1					
	move	y1,y:(r4)+					
	move	#>24,y1					
	move	y1,y:(r4)-n4					
Get_bits							
					;bring word from stream, and "bits offset "		
	move		x:(r0)+,a	y:(r5)+,b		1	1
					;bring next word from stream, and address length		
	move			y:(r4)+,y0		1	1
	move		x:(r0)-,a0			1	1
					;calculate new "bits offset ", and save old one in x1		

**Example B-26. Parsing Hoffman Code Data Stream (Continued)**

<pre> sub      y0,b      b,x1         ;merge width and offset  merge   y0,b         ;extract the field according to b, place it in a  extract b1,a,a         ;move address to n2  move    a0,n2         ;bring mask for length field in lookup table words  move    y:(r4)+,y1         ;bring the merged offset and length for extraction  move    y:(r4)+,x0         ;r1 points to current address for extracted field  move    r3,r1         ;bring word from lookup table  move    x:(r2+n2),a         </pre>	<table border="1"> <tr><td>1</td><td>1</td></tr> <tr><td></td><td></td></tr> <tr><td>1</td><td>1</td></tr> <tr><td></td><td></td></tr> <tr><td>1</td><td>1</td></tr> <tr><td></td><td></td></tr> <tr><td>1</td><td>1</td></tr> <tr><td></td><td></td></tr> <tr><td>1</td><td>1</td></tr> <tr><td></td><td></td></tr> <tr><td>1</td><td>1</td></tr> <tr><td></td><td></td></tr> <tr><td>1</td><td>1</td></tr> </table>	1	1			1	1			1	1			1	1			1	1			1	1			1	1
1	1																										
1	1																										
1	1																										
1	1																										
1	1																										
1	1																										
1	1																										

Label	Opcode	Operands	X Bus Data	Y Bus Data	Comment	P	T
					;extract the field according to x0, place it in b		
	extract	x0,a,b				1	1
					;test if "Hit" bit is set, r2 points s first lookup table		
	tst	a r6,r2				1	1
					; if "Hit" bit is set, r2 points second lookup table, ;a holds address length		
	tmi	y0,a r7,r2				1	1
					;restore "bit offset" , send extracted field to ;memory		
	tfr	x1,b b0,x:(r3)+				1	1
					; if "Hit" bit is set, restore r3		
	tmi	r1,r3				1	1



# From CDR Process to HiP Process

Competitive designs for wireless infrastructure applications require faster digital signal processors (DSPs) with reduced power requirements. To meet this industry demand, the Freescale roadmap for future DSP56300 family derivatives includes the application of continuously evolving, cutting-edge fabrication process technologies. This appendix describes the general differences between DSP56300 family derivatives that use the Freescale Communication Design Rules (CDR) process technology and derivatives that use the Freescale High-Performance (HiP) process technology. It presents the hardware and software design implications for DSP56300 family derivatives. Migration of DSP56300 family members from the CDR to the HiP4 process affects internal memory block size, voltage, operating frequency, and Port A timings. **Table C-1** summarizes the process-related differences for DSP56300 family derivatives using the CDR and HiP4 process technologies and identifies related trends for future process technologies. The remainder of this appendix discusses the differences summarized here.

**Table C-1.** CDR-to-HiP Process Differences Summary

Feature	CDR	HiP4	Future
Voltage	2.5 and 3.3 V (core and internal PLL)	1.8 V (core and internal PLL)	< 1.8 V
Operating Frequency	100 MHz (maximum frequency)	Operating frequencies > 100 MHz	Operating frequencies >> 100 MHz
Port A Timings:			
DRAM Access Support	Supported up to 100 MHz	Supported up to 100 MHz	Supported up to 100 MHz
SRAM Timings	Supported up to 100 MHz	Supported, but with additional wait states	Accesses may require additional wait states
Synchronous Timings	Referenced to CLKOUT	CLKOUT not supported	CLKOUT not supported
Arbitration Timings	Referenced to CLKOUT	CLKOUT not supported; alternatives exist	CLKOUT not supported; alternatives may continue to exist
Address Trace Mode	Supported	Not supported due to BCLK not functioning	Not supported due to BCLK not functioning
Memory Block Size	256 x 24-bit words	1024 x 24-bit words	1024 x 24-bit words

## C.1 Voltage

DSP56300 family members are dual-voltage devices. The core and internal PLL of derivatives migrating to the HiP4 process technology operate from a 1.8 V supply compared to the core and internal Phase Locked Loop (PLL) of derivatives using CDR process technology, which operate from a 2.5 V and 3.3 V supply. The input/output pins on each device operate from an independent 3.3 V supply. DSPs with split power supplies afford designers greater flexibility in migrating board designs to devices with new process technologies. The Freescale HiP process technologies will continue to take advantage of this feature.

## C.2 Operating Frequency

DSP56300 family derivatives that use the CDR process technology operate at a maximum frequency of 100 MHz. HiP4 derivatives operate at frequencies greater than 100 MHz. As process technologies evolve, even greater speeds are anticipated.

## C.3 Port A Timings

Speed increases resulting from the application of new process technologies affect all Port A timings as follows:

- *DRAM Access Support.* DRAM accesses are supported at speeds up to 100 MHz.
- *SRAM Timings.* SRAM accesses are supported with DSP56300 family derivatives that use the CDR process technology at speeds up to 100 MHz. The application of the HiP4 process technology to the DSP56300 family results in additional wait states for SRAM timings. Future changes in process technology may continue to result in additional wait states.
- *Synchronous Timings and Arbitration Timings.* DSP56300 family members that use the CDR process technology rely on CLKOUT as a reference signal for synchronous timings and arbitration timings. The CLKOUT output pin provides a 50 percent duty cycle output clock synchronized to the internal processor clock when the PLL is enabled and locked. At speeds made possible by HiP4 process technology, CLKOUT produces a low-amplitude waveform that is not usable externally by other devices.

Alternatives to using CLKOUT exist. One example is the use of the Asynchronous Bus Arbitration Enable Bit (ABE) in the Operating Mode register. When set, the OMR[ABE] bit eliminates the setup and hold time requirements with respect to CLKOUT for  $\overline{BB}$  and  $\overline{BG}$ . Future changes in process technology may continue to produce alternatives to CLKOUT.

- *Address Trace Mode.* Address Trace mode, when available and enabled by setting the ATE bit in the Operating Mode Register of DSP56300 family derivatives that use the CDR process technology, allows users to determine the address of internal memory accesses. Specifically, when the OMR[ATE] bit is set, BCLK serves as a sampling signal and results in output of the memory access address on the address lines. With the





The same change in block size applies to EFCOP/core contention in derivatives that contain an EFCOP. Unlike Core/DMA contention, EFCOP/core contention may result in faulty data output in the Filter Data Output Register. For example, in the DSP56307, contention occurs if the EFCOP and core attempt to access the same 256 word block. In HiP4 derivatives, contention occurs if the EFCOP and core attempt to access the same 1 K words block. Both the DSP56307 and future HiP4 derivatives include the Data/Coefficient Transfer Contention (FCONT) bit in the EFCOP Control Status Register. The FCONT bit allows programmers to detect when EFCOP/core contention occurs.

# Index

## A

- AAR. See Address Attribute Registers (AARs)
- ABS instruction 12-7, 13-5
- accumulator extension register 3-15
- accumulator registers (A or B) 3-3
- accumulator shifter 3-4
- ADC instruction 12-7, 13-6
- ADD instruction 12-7, 13-8
- adder
  - modulo 1-4
  - offset 1-4
  - reverse-carry 1-4
- ADDL instruction 12-7, 13-9
- ADDR instruction 12-7, 13-10
- Address Attribute Registers (AARs) 9-15
  - Bit Definitions 9-16
  - Bus Access Type (BAT) bit 9-18
  - Bus Address Attribute Polarity (BAAP) bit 9-17
  - Bus Address Multiplexing (BAM) bit 9-17
  - Bus Address to Compare (BAC) bit 9-16
  - Bus Number of Address Bits to Compare (BNC) bit 9-16
  - Bus Packing Enable (BPAC) bit 9-16
  - Bus Program Memory Enable (BPEN) bit 9-17
  - Bus X Data Memory Enable (BXEN) bit 9-17
  - Bus Y Data Memory Enable (BYEN) bit 9-17
- Address Generation Unit (AGU) 1-3, 4-1
  - addressing modes 4-5
    - PC-Relative mode 4-5, 4-8
    - Register Direct mode 4-6
    - Register Indirect mode 4-5, 4-7
    - Special Address mode 4-8
    - special address modes 4-5
      - increment or decrement 4-5
  - Address Trace Mode 5-7, 7-1
  - addressing modes 4-5
    - PC Relative mode 4-8
    - Register Direct mode 4-6
    - Register Indirect mode 4-7
    - Special Address mode 4-8
- AGU. See Address Generation Unit
- algorithms, evaluating and increasing their speed 5-6
- analog signal processing 1-7
- analog-to-digital 1-8
- AND instruction 12-9, 13-11
- ANDI instruction 3-12, 5-10, 12-9, 13-13
- arithmetic computations 5-10
- arithmetic instructions 12-7
  - Absolute Value (ABS) 12-7, 13-5
  - Add (ADD) 12-7, 13-8
  - Add Long With Carry (ADC) 12-7, 13-6
  - Arithmetic Shift Left (ASL) 12-7, 13-14
  - Arithmetic Shift Right (ASR) 12-7, 13-16
  - Clear an Operand (CLR) 12-7, 13-44
  - Compare (CMP) 12-7, 13-45
  - Compare Magnitude (CMPM) 12-7, 13-47
  - Compare Unsigned (CMPU) 12-7, 13-48
  - Decrement Accumulator (DEC) 12-7, 13-51
  - Divide Iteration (DIV) 12-7, 13-52
  - Double Precision Multiply-Accumulate (DMAC) 12-8, 13-55
  - Fast Accumulator Normalize (NORMF) 12-8, 13-147–13-148
  - Increment Accumulator (INC) 12-8, 13-77
  - Mixed Multiply (MPY(su,uu)) 12-8, 13-139
  - Mixed Multiply-Accumulate (MAC(su,uu)) 12-8, 13-102
  - Negate Accumulator (NEG) 12-8, 13-144
  - Round (RND) 12-8, 13-163–13-164
  - Shift Left and ADD (ADDL) 12-7, 13-9
  - Shift Left and Subtract (SUBL) 12-8, 13-174
  - Shift Right and Add (ADDR) 12-7, 13-10
  - Shift Right and Subtract (SUBR) 12-8, 13-175
  - Signed MAC and Round With Immediate Operand (MACRI) 13-105
  - Signed Multiply (MPY) 12-8, 13-137–13-138
- Address modification 4-10
- address modifier types
  - Linear addressing 4-9
  - Modulo addressing 4-9
  - Multiple wrap-around modulo addressing 4-9
  - Reverse-carry addressing 4-9
- address register interlock A-9
- address registers 4-4

- Signed Multiply Accumulate (MAC) 12-8, 13-99, 13-100
  - Signed Multiply Accumulate and Round (MACR) 12-8, 13-103, 13-104
  - Signed Multiply Accumulate and Round With Immediate Operand (MACRI) 12-8
  - Signed Multiply Accumulate With Immediate Operand (MACI) 12-8, 13-101
  - Signed Multiply and Round (MPYR) 12-8, 13-141–13-142
  - Signed Multiply and Round With Immediate Operand (MPYRI) 12-8, 13-143
  - Signed Multiply With Immediate Operand (MPYI) 12-8, 13-140
  - Subtract (SUB) 12-8, 13-172–13-173
  - Subtract Long With Carry (SBC) 12-8, 13-169
  - Test Accumulator (TST) 13-181
  - Test an Operand (TST) 12-8
  - Transfer by Magnitude (MAXM) 12-8, 13-107
  - Transfer by Signed Value (MAX) 12-8, 13-106
  - Transfer Conditionally (Tcc) 12-8, 13-176–13-177
  - Transfer Data ALU Register (TFR) 12-8, 13-178
  - arithmetic overflow 5-16
  - arithmetic saturation 3-3, 3-10
  - Arithmetic Saturation Mode (SM). See PCU configuration and status registers, Status Register (SR)
  - arithmetic stall 3-19
  - arithmetic unit 3-18
  - ASL instruction 12-7, 13-14
  - ASR instruction 12-7, 13-16
  - ATE (Address Trace Enable) bit of the OMR 5-7
- B**
- barrel shifter 1-2, 3-1
  - Bcc instruction 12-11, 13-18
  - BCHG instruction 3-18, 9-12, 12-10
  - BCLR instruction 3-18, 9-12, 12-10
  - BCR. See Bus Control Register (BCR)
  - benchmark programs B-1
  - bit manipulation instructions 3-20, 12-9
    - Bit Test (BTST) 12-10, 13-40
    - Bit Test and Change (BCHG) 12-10
    - Bit Test and Clear (BCLR) 12-10
    - Bit Test and Set (BSET) 9-12, 12-10
  - bit parsing instructions 3-18
  - block diagram
    - Address Generation Unit (AGU) 4-2
    - Clock Generator 6-4
    - Data ALU 3-2
    - DSP56300 family core blocks 2-3
    - OnCE module 7-10
    - OnCE Trace Logic 7-20
    - Phase Locked Loop (PLL) 6-2
    - PLL clock generator 6-1
    - Test Access Port (TAP) With OnCE 7-4
  - Block Floating Point FFT support 3-13
  - Boundary Scan Register (BSR) 7-2, 7-3
  - BRA instruction 12-11, 13-25
  - BRCLR instruction 3-18, 13-27
  - BRKcc inside DO loops A-16
  - BRKcc instruction 5-21, 12-10, 13-28
  - BRSET instruction 3-18, 13-29
  - BScC instruction 12-11
  - BSCLR instruction 3-18, 3-20, 13-32
  - BSET instruction 3-18, 3-20, 9-12, 12-10, 13-34
  - BSR instruction 12-12, 13-37
  - BSR. See Boundary Scan Register
  - BsSET instruction 3-18, 13-38
  - BTST instruction 3-18, 12-10, 13-40
  - Burst Enable (BE) bit 8-3
  - bus arbitration examples
    - Bus Busy 9-13
    - bus lock 9-14
    - bus parking 9-14
    - default 9-14
    - low priority 9-14
    - Normal 9-13
  - bus arbitration protocol 9-11
  - bus arbitration scheme 9-13
  - bus arbitration signals
    - Bus Busy (BB) 9-11
    - Bus Grant (BG) 9-11
    - Bus Request (BR) 9-11
  - Bus Control Register (BCR) 9-12, 9-15, 9-19
    - Bit Definitions 9-19
    - Bus Area 0 Wait State Control (BA0W) bit 9-21
    - Bus Area 1 Wait State Control (BA1W) bit 9-20
    - Bus Area 2 Wait State Control (BA2W) bit 9-20
    - Bus Area 3 Wait State Control (BA3W) bit 9-20
    - Bus Default Area Wait State Control (BDFW) bit 9-19
    - Bus Lock Hold (BLH) bit 9-12, 9-19
    - Bus Request Hold (BRH) bit 9-12, 9-19
    - Bus State (BBS) bit 9-12, 9-19
  - Bus Interface Unit (BIU) 10-8
  - bus parking 9-13, 9-14
  - bus signals, external 9-2
  - BYPASS (JTAG) instruction 7-9
- C**
- Cache Enable (CE) bit 5-10, 5-11, 8-1, 8-3
  - cache support 7-18
  - Carry (C) bit in the SR 5-16
  - CCR (Condition Code Register). See PCU configuration and status registers
  - CDR to the HiP4 process C-1
  - CE (Cache Enable) bit. See Cache Enable (CE) bit
  - charge pump loop filter 6-3
  - Chip Select (CS) signals 9-5

- circular buffer 4-9, 10-4, 10-12, 10-14
  - CLAMP instruction 7-8
  - CLB instruction 12-9, 13-42
  - CLKGEN. See Clock Generator
  - CLKOUT 6-2, 6-4, 6-5, 9-7
  - Clock Generator (CLKGEN) 1-6, 6-1, 6-4
  - clock input frequency division 6-2, 6-4
  - Clock Out Disable (COD) 6-7
  - Clock Output Disable (COD) bit in the PCTL register 6-2
  - clock synchronization 6-10
  - CLR 13-22
  - CLR instruction 12-7, 13-44
  - CMP instruction 12-7, 13-45
  - CMPM instruction 12-7, 13-47
  - CMPU instruction 12-7, 13-48
  - COD (Clock Output Disable) bit in the PCTL 6-7
  - COM (Chip Operating Mode) byte of the OMR 5-5
  - Communication Design Rules (CDR) process C-1
  - condition code computation 12-17
  - Condition Code Register (CCR). See PCU configuration and status registers
  - Condition Codes 12-13
  - conditional branch instruction A-15
  - Control hardware DO loops and REP 5-1
  - convergent rounding (round-to-nearest-even number). See rounding
  - Core. See DSP56300 family core
  - counter modes, DMA channel. See DMA counter modes
- ## D
- DALU register A-25
  - Data ALU 3-1, 5-10
    - input registers 3-1
    - interlock A-9
    - operations 3-6, 5-10
    - programming model 3-13
    - rounding 5-11
    - scaling 3-5
    - source operands 3-1
  - Data Arithmetic Logic Unit. See Data ALU
  - data limiters 3-5
  - data representation 3-6
  - data shifter/limiter circuits 3-4
  - data transfer 8-7, 10-5
  - DCR. See DMA Control Registers (DCRs)
  - DCR. See DRAM Control Register
  - Debug Event 7-1
  - DEBUG instruction 12-12, 13-49
  - Debug mode in OnCE module 7-21
  - DEBUG\_REQUEST instruction 7-8
    - executing in OnCE module 7-21
  - DEBUGcc instruction 12-12, 13-50
  - debugging interface signals 7-1
    - Debug Event (DE) 7-2
    - Test Clock (TCK) 7-1
    - Test Data Input (TDI) 7-1
    - Test Data Output (TDO) 7-1
    - Test Mode Select (TMS) 7-1
    - Test Reset (TRST) 7-2
  - debugging procedures, OnCE examples 7-26
  - debugging tool 5-7
  - debugging, Instruction Cache operation 8-9
  - DEC instruction 12-7, 13-51
  - Decode instructions 5-1
  - dedicated TAP 7-3
  - digital signal processing 1-8
  - digital-to-analog 1-8
  - Direct Memory Access (DMA). See DMA
  - DIV instruction 12-7, 13-52
  - Divide Factor (DF) 1-6
  - DMA 1-7
    - 3D modes (D3D = 1) 10-21
    - address generation mode 10-21
    - advantages of using 10-1
    - Bus Interface Unit (BIU) operations 10-8
    - byte packing 10-8
    - channel priority levels 10-6
    - channels 10-2
    - circular buffer 10-4, 10-12
    - Control Registers (DCRs) 10-14
      - Bit Definitions 10-15
      - DMA Address Mode (DAM) bit 10-19, 10-20
      - DMA Channel Enable (DE) bit 10-15
      - DMA Channel Priority (DPR) bit 10-17
      - DMA Continuous Mode Enable (DCON) bit 10-18
      - DMA Destination Space (DDS) bit 10-20
      - DMA Interrupt Enable (DIE) bit 10-15
      - DMA Request Source (DRS) bit 10-19
      - DMA Source Space (DSS) bit 10-20
      - DMA Transfer Mode (DTM) bit 10-16
      - Three-Dimensional Mode (D3D) bit 10-19
  - counter modes
    - Counter (DCO) register 10-2
    - Counter Mode A 10-10
    - Counter Mode B 10-11
    - Counter Modes C, D and E 10-13
    - Counters (DCO) 10-9
    - data structure specification 10-3
    - Dual Counter mode 10-12
    - Single-Counter mode 10-14
  - DCR. See DMA Control Registers (DCRs)
  - Destination Address Registers (DDRs) 10-2, 10-9
  - DMA Channel Enable (DE) bit 10-15
  - DOR (DMA Offset Register) 10-23

- DRAM In-Page accesses 10-8
  - DSTR. See DMA Status Register (DSTR)
  - Dynamic DMA/Core Prioritizing mode 10-7
  - end-of-block transfer interrupt 10-8
  - fast DMA request sources 10-5
  - hardware and software triggers 10-4
  - Linear buffer with non-unit stride 10-4
  - non-3D addressing modes (D3D = 0) 10-20
  - Offset Registers (DORs) 10-23
  - overlap of data movement with core 10-6
  - priority between DMA channel and core 10-7
  - programming model 10-9
  - restrictions 10-25
  - Source Address Registers (DSRs) 10-2, 10-9
  - source and destination data structures 10-4
  - special address modes 10-4
  - Static DMA/Core Prioritizing mode 10-7
  - Status Register (DSTR) 10-23
    - Bit Definitions 10-24
    - DMA Active (DACT) bit 10-24
    - DMA Active Channel (DCH) bit 10-24
    - DMA Transfer Done (DTD) bit 10-25
  - transfer dimensions 10-4
  - transfer mode 10-5
  - types of data structures
    - Constant Addressing 10-3
    - One-dimensional 10-3
    - Three-dimensional 10-3
    - Two-dimensional 10-3
  - DMA and Instruction Cache 8-7
  - DMAC instruction 3-11, 12-8, 13-55
  - DO FOREVER flag 5-12
  - DO FOREVER instruction 12-10, 13-59
  - DO instruction 4-5, 5-17, 5-18, 5-21, 12-10, 13-58
  - DOR (DMA Offset Register) 10-23
  - DOR FOREVER instruction 13-65
  - DOR instruction 13-61
  - Double-Precision Multiply mode 3-12, 3-18, 5-12
  - DRAM Control Register (DCR) 9-8, 9-15, 9-21
    - Bit Definitions 9-22
    - Bus Column In-Page Wait State (BCW) bit 9-24
    - Bus DRAM Page Size (BPS) bit 9-23
    - Bus Mastership Enable (BME) bit 9-23
    - Bus Page Logic Enable (BPLE) bit 9-23
    - Bus Refresh Enable (BREN) bit 9-22
    - Bus Refresh Prescaler (BRP) bit 9-22
    - Bus Refresh Rate (BRF) bit 9-22
    - Bus Row Out-of-page Wait States (BRW) bit 9-23
    - Bus Software Triggered Reset (BSTR) bit 9-22
  - DSP56300 family core
    - benchmark programs B-1
    - block diagram 2-3
    - buses 2-2
    - interrupt sources 2-7
    - JTAG implementation 7-3
    - overview 1-2, 2-1
    - processing
      - instruction set 2-3
      - states (normal, exception, reset, wait, stop, debug) 2-4, 5-1
  - DSP56300 family derivatives differences C-1
  - DSTR. See DMA Status Register (DSTR)
  - dynamic scaling of fixed-point data 3-5
- ## E
- EBD (External Bus Disable) bit of the OMR 5-9
  - EMR (Extended Mode Register). See PCU configuration and status registers, Status Register (SR)
  - ENABLE\_ONCE instruction 7-8, 7-27
  - ENDDO inside DO loops A-16
  - ENDDO instruction 5-21, 12-10, 13-67
  - end-of-block-transfer DMA interrupt 10-8
  - EOR instruction 12-9, 13-68, 13-69
  - EP (Extension Pointer) register 4-5
  - Expanded mode 11-1
  - EXTAL 6-2, 6-4, 7-9
  - Extended Mode Register (EMR). See PCU configuration and status registers, Status Register (SR)
  - Extended Operating Mode (EOM) byte of the OMR 5-5
  - Extension Pointer (EP) register 4-5
  - external address bus signals 9-1
  - external bus control signals 9-2
    - Bus Busy 9-4, 9-11
    - Bus Grant 9-4
    - Bus Lock 9-4
    - Bus Request 9-3
    - Bus Strobe 9-3
    - Read Enable 9-2
    - Transfer Acknowledge 9-1
    - Write Enable 9-2
  - External Bus Disable 5-9
  - external data bus signals 9-2
  - External Memory Interface (Port A)
    - accessing slower memories 9-6
    - Address Bus, Data Bus, and Bus Control pins 9-5
    - Bus Access Type bit of the AAR 9-18
    - Bus Address Attribute Polarity (BAAP) bit in the AAR 9-17
    - Bus Address Multiplexing (BAM) bit in the AAR 9-17
    - Bus Address to Compare (BAC) bit in the AAR 9-16
    - bus arbitration 9-1, 9-11
    - bus arbitration signals 9-11
    - Bus Number of Address Bits to Compare (BNC) bit in the AAR 9-16
    - Bus Packing Enable (BPAC) bit in the AAR 9-16
    - Bus Program Memory Enable (BPEN) bit in AAR 9-17
    - bus timing 9-5
    - Bus X Data Memory Enable (BXEN) bit in the AAR

## 9-17

Bus Y Data Memory Enable (BYEN) bit in the AAR  
9-17

external address bus signals 9-1

external bus control signals 9-2

external data bus signals 9-2

external memory address defined 9-5

Fast or Slow Bus Release mode 9-12

internal wait state generator 9-1

size 9-1

SRAM support 9-6

steps in bus arbitration sequence 9-11

steps in DRAM in-page access 9-10

steps in out-of-page access 9-10

steps in SRAM access 9-6

EXTEST instruction 7-6, 7-8

EXTRACT instruction 3-18, 12-9, 13-70, 13-71

EXTRACTU instruction 3-18, 12-9, 13-72, 13-73

**F**

Fast Fourier Transforms (FFTs) 3-5

Fast normalization for NORMF 3-4

Fast or Slow Bus Release mode 9-12

Fetch instructions 5-1

FFT butterfly passes 3-13

FFT scaling bit 3-13

filtering the PLL power supply 6-10

finite loops and do forever loops A-16

First-In, First-Out (FIFO) queues 4-9

Frequency Divider 6-3

frequency multiplication 6-4

frequency predivider 6-2

**H**

hardware DO loops 5-2, 5-16, 13-56

hardware stack 1-4

monitor how many entries are used 5-19

stack is full 5-17

hardware stack. See also stack

HI-Z instruction 7-8

**I**

IDCODE instruction 7-7

IEEE Standard Test Access Port and Boundary-Scan Architecture (IEEE 1149.1) 7-2

IFcc instruction 12-12, 13-74

IFcc.U instruction 12-12, 13-75

ILLEGAL instruction 13-76

Illegal Interrupt 8-7

Immediate Short Data MOVE 3-17

INC instruction 12-8, 13-77

Infinite Impulse Response (IIR) filtering 4-11

INSERT instruction 3-18, 12-9, 13-78, 13-79

## instruction

bit manipulation instructions 12-9

fetch delays A-9

format 12-13

guide 12-13

logical instructions 12-8

loop instructions 12-10

peripheral pipeline restrictions A-23

polling a peripheral device for write A-24

writing to a read-only register A-24

XY memory data move A-24

program control instructions 12-11

sequence restrictions A-14

ENDDO restrictions A-20

General DO restrictions A-16

REP restrictions A-21

restriction near the end of DO loops A-14

RTI restrictions A-20

RTS restrictions A-20

SP/SC manipulation restrictions A-20

SSH/SSL manipulation restrictions A-20

stack extension restrictions A-22

Sixteen-bit Compatibility mode restrictions A-25

Instruction Cache 8-1

Burst Enable (BE) bit in the Extended Operating Mode (EOM) 8-3

Burst mode 8-4

Cache Controller 8-2

Cache Enable (CE) bit in the Extended Mode Register (EMR) of the Status Register (SR) 5-10, 5-11, 8-1, 8-3

cache hit 8-4

cache locking 8-5

cache miss 8-5

cache unlocking 8-6

cache word miss, Burst mode disabled 8-4

cache word miss, Burst mode enabled 8-4

coherency between Program RAM mode and Cache mode 8-7

controlling 8-3

debugging 8-9

DMA transfers 8-7

enable/disable operation of the Instruction Cache 5-11

features 8-1

flushing 8-6

hardware reset disables cache 8-5

Illegal Interrupt 8-7

instruction fetch 8-4

Memory Array 8-1

Operating Mode Register (OMR) bit 8-3

operation 8-4

PFLUSH 8-3, 8-6

PFLUSHUN 8-3, 8-7

- PFREE 8-3
- PLOCK 8-3, 8-5
- PLOCKR 8-3, 8-5
- PMOVE instruction 8-7
- PUNLOCK 8-3
- PUNLOCKR 8-3
- read of the cache status via the OnCE module 8-9
- sector miss 8-5
- Sector Replacement Unit (SRU) 8-2, 8-4, 8-5
- size 8-1
- switching from Cache to Program RAM mode 8-7
- Tag Register File 8-2
- transferring data 8-7
- unlocking sectors
  - PFLUSH instruction 8-6
  - PFREE, PUNLOCK, and PUNLOCKR instructions 8-6
  - simultaneously by PFREE instruction 8-6
  - use in real-time applications 8-8
  - Valid Bit Array 8-2
  - VBIT field as an address to the Valid Bit Array 8-4
  - wait states in the pipeline 8-5
- instruction cache control instructions 12-13
  - Lock Instruction Cache Relative Sector (PLOCKR) 13-157
  - Lock Instruction Cache Sector (PLOCK) 13-156
  - Program Cache Flush (PFLUSH) 13-153
  - Program Cache Flush Unlocked Sectors (PFLUSHUN) 13-154
  - Program Cache Global Unlock (PFREE) 13-155
  - Unlock Instruction Cache Relative Sector (PUNLOCKR) 13-159
  - Unlock Instruction Cache Sector (PUNLOCK) 13-158
- instruction pipeline, seven-stage 5-1
- instruction set 2-3
  - ABS 12-7, 13-5
  - ADC 12-7, 13-6
  - ADD 12-7, 13-8
  - ADDL 12-7, 13-9
  - ADDR 12-7, 13-10
  - AND 12-9, 13-11
  - ANDI 3-12, 12-9, 13-13
  - ASL 12-7, 13-14
  - ASR 12-7, 13-16
  - Bcc 12-11, 13-18
  - BCHG 3-18, 9-12, 12-10
  - BCLR 3-18, 9-12, 12-10
  - BRA 12-11, 13-25
  - BRCLR 3-18, 13-27
  - BRKcc 5-21, 12-10, 13-28
  - BRSET 3-18, 13-29
  - BScC 12-11
  - BSCLR 3-18, 3-20, 13-32
  - BSET 3-18, 3-20, 9-12, 12-10, 13-34
  - BSR 12-12, 13-37
  - BSSET 3-18, 13-38
  - BTST 3-18, 12-10, 13-40
  - CLB 12-9, 13-42
  - CLR 12-7, 13-44
  - CMP 12-7, 13-45
  - CMPM 12-7, 13-47
  - CMPU 12-7, 13-48
  - DEBUG 12-12, 13-49
  - DEBUGcc 12-12, 13-50
  - DEC 12-7, 13-51
  - DIV 12-7, 13-52
  - DMAC 12-8, 13-55
  - DO 5-21, 12-10, 13-58
  - DO FOREVER 12-10, 13-59
  - DOR 13-61
  - DOR FOREVER 13-65
  - ENDDO 5-21, 12-10, 13-67
  - EOR 12-9, 13-68, 13-69
  - EXTRACT 3-18, 12-9, 13-70, 13-71
  - EXTRACTU 3-18, 12-9, 13-72, 13-73
  - IFcc 12-12, 13-74
  - IFcc.U 12-12, 13-75
  - ILLEGAL 13-76
  - INC 12-8, 13-77
  - INSERT 3-18, 12-9, 13-78, 13-79
  - Jcc 12-12, 13-80
  - JCLR 3-18, 12-12, 13-81, 13-82
  - JMP 12-12, 13-83
  - JScC 12-12, 13-84
  - JSCLR 3-18, 12-12, 13-85, 13-86
  - JSET 3-18, 12-12, 13-87, 13-88
  - JSR 12-12, 13-89
  - JSSET 3-18, 12-12, 13-90, 13-91
  - LRA 12-11, 13-92
  - LSL 12-9, 13-93, 13-94
  - LSR 12-9, 13-95, 13-96
  - LUA 12-11, 13-97, 13-98
  - MAC 12-8, 13-99, 13-100
  - MAC(su,uu) 12-8, 13-102
  - MACI 12-8, 13-101
  - MACR 12-8, 13-103, 13-104
  - MACRI 12-8, 13-105
  - MAX 12-8, 13-106
  - MAXM 12-8, 13-107
  - MERGE 3-18, 12-9, 13-108, 13-109
  - MOVE 12-10, 12-11, 13-111
    - I 13-113, 13-114
    - L: 13-126–13-127
    - No Parallel Data Move 13-112
    - R 13-115, 13-116
    - R:Y 13-124–13-125
    - U 13-117
    - X: 13-118–13-119
    - X:R 13-120–13-121



X:Y 13-128–13-129  
 Y 13-122–13-123  
 MOVEC 4-5, 5-10, 12-11, 13-130–13-131  
 MOVEM 8-9, 12-11, 13-132–13-133  
 MOVEP 12-11, 13-134–13-136  
 MPY 12-8, 13-137–13-138  
 MPY(su,uu) 12-8, 13-139  
 MPYI 12-8, 13-140  
 MPYR 12-8, 13-141–13-142  
 MPYRI 12-8, 13-143  
 NEG 12-8, 13-144  
 NOP 12-12, 13-145  
 NORM 13-146  
 NORMF 12-8, 13-147–13-148  
 NOT 12-9, 13-149  
 OR 12-9, 13-150–13-151  
 ORI 3-12, 12-9, 13-152  
 PFLUSH 12-13, 13-153  
 PFLUSHUN 12-13, 13-154  
 PFREE 12-13, 13-155  
     cache unlocking 8-6  
 PLOCK 12-13, 13-156  
 PLOCKR 12-13, 13-157  
 PUNLOCK 12-13, 13-158  
     cache unlocking 8-6  
 PUNLOCKR 12-13, 13-159  
     cache unlocking 8-6  
 REP 5-21, 12-12, 13-160–13-161  
 RESET 12-12, 13-162  
 RND 12-8, 13-163–13-164  
 ROL 12-9, 13-165  
 ROR 12-9, 13-166  
 RTI 12-12, 13-167, A-25  
 RTS 12-12, 13-168  
 SBC 12-8, 13-169  
 STOP 2-4, 7-9, 12-12, 13-170–13-171  
 SUB 12-8, 13-172–13-173  
 SUBL 12-8, 13-174  
 SUBR 12-8, 13-175  
 Tcc 12-8, 13-176–13-177  
 TFR 12-8, 13-178  
 TRAP 12-12, 13-179  
 TRAPcc 12-12, 13-180  
 TST 12-8, 13-181  
 VSL 12-11, 13-182  
 WAIT 2-4, 12-12, 13-183  
 instruction timing A-1  
 instructions. See instruction  
 interlock condition 3-21, A-12  
 interlock hardware 5-3  
 Internal X I/O space 11-3, 11-5  
 interrupt priority level 2-9, 5-14  
 interrupt processing 2-6  
 interrupt requests 1-4, 2-4, 2-6, 5-2

interrupt sources 2-7  
 interrupt, long A-25  
 interrupts and exceptions 5-1  
 IPL. See interrupt priority level  
 IRQ. See interrupt requests

## J

Jcc instruction 12-12, 13-80  
 JCLR instruction 3-18, 12-12, 13-81, 13-82  
 JMP instruction 12-12, 13-83  
 Joint Test Action Group. See JTAG  
 JScC instruction 12-12, 13-84  
 JSCLR instruction 3-18, 12-12, 13-85, 13-86  
 JSET instruction 3-18, 12-12, 13-87, 13-88  
 JSR instruction 4-5, 5-16, 5-17, 5-18, 12-12, 13-89  
 JSSET instruction 3-18, 12-12, 13-90, 13-91  
 JTAG 1-6, 7-2  
     Bypass register 7-8  
     ID register 7-7  
     instruction register 7-3  
     Instruction Register Format 7-5  
     instruction shift register 7-24  
     instructions 7-6  
         BYPASS 7-2, 7-9  
         CLAMP 7-3, 7-8  
         DEBUG\_REQUEST 7-3, 7-8, 7-10, 7-30  
             enter Debug mode 7-3  
             TMS sequencing 7-30  
         ENABLE\_ONCE 7-3, 7-8, 7-9, 7-10, 7-30  
         EXTEST 7-2, 7-6, 7-9  
         HI-Z 7-2, 7-3, 7-8  
         IDCODE 7-3, 7-7, 7-8  
         SAMPLE/PRELOAD 7-2, 7-6  
     JTAG-OnCE interaction examples 7-30  
     mandatory public instructions 7-3  
     restrictions 7-9  
     Stop mode 7-10  
     TAP controller 7-3  
         Test-Logic-Reset state 7-10  
     Test Access Port (TAP) 7-1, 7-2  
     Test-Logic-Reset controller state 7-6  
 Jump/Branch on bit instructions 3-18

## L

LA (Loop Address) register 5-16, 5-20  
 LA values used outside the DO loop A-16  
 LA-1, one-word conditional branch instruction A-15  
 LAs, consecutive A-15  
 LC (Loop Counter) register 5-16, 5-21  
 LC values used outside DO loop A-16  
 limiters in the DSP56300 core 3-5  
 Limiting (L) bit in the SR 3-10

- Locked state, PLL 6-2
  - logical instructions 12-8
    - AND Immediate With Control Register (ANDI) 12-9, 13-13
    - Count Leading Bits (CLB) 12-9, 13-42
    - Extract Bit Field (EXTRACT) 12-9, 13-70, 13-71
    - Extract Unsigned Bit Field (EXTRACTU) 12-9, 13-72, 13-73
    - Insert Bit Field (INSERT) 12-9, 13-78, 13-79
    - Logical AND (AND) 12-9, 13-11
    - Logical Complement (NOT) 12-9, 13-149
    - Logical Exclusive OR (EOR) 12-9, 13-68, 13-69
    - Logical Inclusive OR (OR) 12-9, 13-150–13-151
    - Logical Shift Left (LSL) 12-9, 13-93, 13-94
    - Logical Shift Right (LSR) 12-9, 13-95, 13-96
    - Merge Two Half Words (MERGE) 12-9, 13-108, 13-109
    - OR Immediate With Control Register (ORI) 12-9, 13-152
    - Rotate Left (ROL) 12-9, 13-165
    - Rotate Right (ROR) 12-9, 13-166
  - Logical operations for AND, OR, EOR, and NOT 3-4
  - long interrupt 5-17, 5-21, A-25
  - Loop Address (LA) register 5-16, 5-20
  - Loop Counter (LC) register 5-16, 5-21
  - loop instructions 12-10
    - Abort and Exit from Hardware Loop (ENDDO) instruction 12-10
    - Conditionally Break the Current Hardware Loop (BRKcc) instruction 12-10
    - Start Forever Hardware Loop (DO FOREVER) instruction 12-10
    - Start Hardware Loop (DO) instruction 12-10
  - loops, finite DO and DO FOREVER A-16
  - Low-Power Divider (LPD) 6-5
  - LRA instruction 12-11, 13-92
  - LRU/Lock Status Register 7-19
  - LSL instruction 12-9, 13-93, 13-94
  - LSR instruction 12-9, 13-95, 13-96
  - LUA instruction 12-11, 13-97, 13-98
- M**
- MAC instruction 12-8, 13-99, 13-100
  - MAC unit. See Multiplier-Accumulator unit
  - MAC(su,uu) instruction 12-8, 13-102
  - MACI instruction 12-8, 13-101
  - MACR instruction 3-3, 12-8, 13-103, 13-104
  - MACRI instruction 12-8, 13-105
  - MAX instruction 12-8, 13-106
  - MAXM instruction 12-8, 13-107
  - memory breakpoint logic
    - OnCE Breakpoint Control Register (OBCR) 7-16
    - OnCE Memory Address Comparator (OMACx) 7-16
    - OnCE Memory Address Latch (OMAL) 7-16
    - OnCE Memory Limit Register (OMLRx) 7-16
  - memory breakpoints 7-15
    - enabling 7-22
    - Memory Breakpoint Occurrence (MBO) bit in the OSCR 7-15
  - memory map 11-3
  - memory module switch mode 5-9
  - MERGE instruction 3-18, 12-9, 13-108, 13-109
  - MF (Multiplication Factor) 6-3, 6-10
  - Mode Register (MR). See PCU configuration and status registers, Status Register (SR)
  - modifier registers 4-5
  - modulo adder 1-4, 4-1
  - modulo addressing 4-11
  - modulo arithmetic types 4-9
  - modulo arithmetic units 4-4
  - modulo M 4-10, 4-11
  - MOVE A,A (or B,B) instruction 3-10
  - MOVE from SSH 5-17
  - MOVE instruction 8-7, 13-111
  - move instructions 12-10
    - Address Register Update (U) 13-117
    - Immediate Short Data Move (I) 13-113
    - Load PC-Relative Address (LRA) 12-11, 13-92
    - Load Updated Address (LUA) 12-11, 13-97, 13-98
    - Long Memory Data Move (L:) 13-126–13-127
    - Move Control Register (MOVEC) 12-11, 13-130–13-131
    - Move Data (MOVE) 12-11, 13-111
    - Move Peripheral Data (MOVEP) 12-11, 13-134–13-136
    - Move Program Memory (MOVEM) 12-11, 13-132–13-133
    - No Parallel Data Move 13-112
    - Register and Y Memory Data Move (R:Y) 13-124
    - Register-to-Register Data Move (R) 13-115, 13-116
    - Viterbi Shift Left (VSL) 12-11, 13-182
    - X Memory and Register Data Move (X:R) 13-120–13-121
    - X Memory Data Move (X:) 13-118–13-119
    - XY Memory Data Move (X:Y:) 13-128–13-129
    - Y Memory Data Move (Y) 13-122–13-123
  - MOVEC 5-20, 5-21
  - MOVEC instruction 4-5, 5-10, 5-18, 12-11, 13-130–13-131
  - MOVEM instruction 8-9, 12-11, 13-132–13-133
  - MOVEP instruction 12-11, 13-134–13-136
  - moves from/to registers or accumulators 3-14–3-16
  - moves in Sixteen-bit Arithmetic mode 3-14
  - MPY instruction 12-8, 13-137–13-138
  - MPY(su,uu) instruction 12-8, 13-139
  - MPYI instruction 12-8, 13-140
  - MPYR instruction 12-8, 13-141–13-142
  - MPYRI instruction 12-8, 13-143
  - MR (Mode Register). See PCU configuration and status reg-

isters, Status Register (SR)  
 Multibit left shift 3-4  
 Multibit right shift 3-4  
 multi-dimensional and special address mode transfers 10-3  
 Multiple Wrap-Around Addressing mode 4-11  
 Multiplication Factor 6-3, 6-10  
 Multiplier-Accumulator (MAC) unit 1-2, 1-3, 3-2  
 multiply/accumulate operation 3-3  
 multiplying integer number 3-7  
 multiprecision multiplications 3-10

## N

Narrow Bandwidth mode 6-3  
 NEG instruction 12-8, 13-144  
 nested hardware DO loops 5-17  
 NOP instruction 12-12, 13-145  
 NORM instruction 13-146  
 Normal mode 7-10  
 NORMF instruction 12-8, 13-147-13-148  
 NOT instruction 12-9, 13-149

## O

OBCR. See OnCE Breakpoint Control Register  
 OCR. See OnCE Command Register (OCR)  
 ODEC. See OnCE Decoder (ODEC)  
 offset adder 1-4, 4-1, 4-2  
 offset registers 4-5  
 OMACx comparator 7-16  
 OMAL register 7-16  
 OMBC counter 7-18  
 OMLRx register 7-16  
 OMR. See PCU configuration and status registers  
 OnCE

Address Trace mode 7-32  
 block diagram of the OnCE controller 7-11  
 Breakpoint Control Register (OBCR)  
 Bit Definitions 7-17  
 Breakpoint 0 Condition Code (CC0) bit 7-18  
 Breakpoint 0 Read/Write (RW0) bit 7-18  
 Breakpoint 1 Condition Code (CC1) bit 7-17  
 Breakpoint 1 Read/Write (RW1) bit 7-17  
 Breakpoint Event Bits (BT) bit 7-17  
 Memory Breakpoint (MBS) bit 7-18  
 cache support 7-18  
 OnCE Trace Counter (OTC) 7-20  
 OnCE trace logic 7-20  
 change of flow instruction 7-24  
 Command Register (OCR) 7-11, 7-12  
 Bit Definitions 7-12  
 Exit Command (EX) bit 7-12

Go Command (Go) bit 7-12  
 Read/Write Command (R/W) bit 7-12  
 Register Select (RS) bit 7-13  
 commands 7-25  
 Debug mode 7-21  
 returning to Normal mode 7-29  
 verifying chip entered Debug mode 7-26  
 ways to enter 7-21  
 Decoder (ODEC) 7-11, 7-14  
 displaying a specified register 7-28  
 displaying X memory area 7-28  
 enable Trace mode 7-20  
 ensure Trace Buffer coherence 7-24  
 examples of debugging procedures 7-26  
 examples of OnCE-JTAG interaction 7-30  
 GDB Register (OGDBR) 7-23  
 JTAG-OnCE interaction examples 7-30  
 Memory Breakpoint Counter (OMBC) 7-18  
 memory breakpoint logic 7-15  
 OnCE Memory Address Comparator (OMACx) 7-16  
 OnCE Memory Address Latch Register (OMAL) 7-16  
 OnCE Memory Limit Register (OMLRx) 7-16  
 See also OnCE Breakpoint Control Register (OBCR)  
 module 7-1, 7-10  
 PAB Register for Decode (OPABDR) 7-23  
 PAB Register for Execute (OPABEX) 7-23  
 PAB Register for Fetch (OPABFR) 7-23  
 polling the JTAG Instruction Register 7-26  
 reading the Trace buffer 7-27  
 Status and Control Register (OSCR) 7-11, 7-14  
 Bit Definitions 7-14  
 Cache Hit (HIT) bit 7-15, 8-9  
 Core Status (OS) bit 7-14  
 Interrupt Mode Enable (IME) bit 7-15  
 Memory Breakpoint Occurrence (MBO) bit 7-15  
 Software Debug Occurrence (SWO) bit 7-15  
 Trace Mode Enable (TME) bit 7-15  
 Trace Occurrence (TO) bit 7-15  
 On-Chip Emulation (OnCE) module. See OnCE module  
 OPABDR (OnCE PAB Decode) Register 7-23  
 OPABEX (OnCE PAB Execute) Register 7-23  
 OPABFR (OnCE PAB Fetch) Register 7-23  
 Operating Mode Register (OMR)  
 TA Synchronize Select (TAS) 5-8  
 Operating Mode Register (OMR). See PCU configuration

- and status registers
- operating mode, determining 5-5
- OR instruction 12-9, 13-150–13-151
- ORI instruction 3-12, 5-10, 12-9, 13-152
- OSCR. See OnCE Status and Control Register
- OTC counter 7-20
- out-of-page access 9-8
- Overflow bit (V bit) in the SR 3-10
- overflow in the destination operand size 3-5
- overflow protection 3-3
- P**
- PAG. See Program Address Generator (PAG)
- Parallel Move Descriptions 13-111
  - immediate short data move 13-113
  - long memory data move 13-126
  - X memory and register data move 13-120, 13-124
  - X memory data move 13-118, 13-122
  - XY memory data move 13-128
- parallel move operations 5-10
- PCAP 6-2, 6-3
- PCU 1-4, 10-1
  - hardware System Stack. See also PCU System Stack 5-16
  - processing control registers 5-4
    - Loop Address (LA) register 4-9, 5-2
    - Loop Counter (LC) register 4-9, 5-2
    - Program Counter (PC) register 4-9
    - Vector Base Address (VBA) register 5-2
  - Program/Loop/Exception processing control registers
    - Loop Address (LA) register 5-2
    - Loop Counter (LC) register 5-2
    - Program Counter (PC) register 5-2
    - Vector Base Address (VBA) register 5-2
  - programming model 5-4
  - System Stack 5-4, 5-16
  - System Stack. See also PCU System Stack configuration and operation registers
- PCU configuration and status registers 5-4, 5-5
  - Condition Code Register (CCR)
    - Bit Definitions 5-10
    - Carry (C) bit 5-16
    - Extension (E) bit 5-15
    - Limit (L) bit 5-14
    - Negative (N) bit 5-15
    - Overflow (V) bit 5-16
    - Scaling (S) bit 5-14
    - Unnormalized (U) bit 5-15
    - Zero (Z) bit 5-15
  - Operating Mode Register (OMR) 5-5, 5-17
    - Address Attribute Priority Disable (APD) bit 5-7
  - Address Trace Enable (ATE) bit 5-7, 7-32
  - Asynchronous Bus Arbitration Enable (ABE) bit 5-7
  - Bit definitions 5-6
  - Bus Release Timing (BRT) bit 5-8, 9-12
  - Cache Burst Mode Enable (BE) bit 5-8, 8-3
  - Chip Operating Mode (COM) Byte 5-5
  - Chip Operating Mode (MD-MA) bit 5-9
  - Core-DMA Priority (CDP) bit 5-8
  - Extended Chip Operating Mode (EOM) Byte 5-5
  - External Bus Disable (EBD) bit 5-9, 9-10
  - Memory Switch Configuration (MSW) bit 5-6
  - Memory Switch Mode (MS) bit 5-9
  - Patch Enable (PEN) bit 5-6
  - Stack Extension Enable (SEN) bit 5-6, 5-17
  - Stack Extension Overflow (EOV) bit 5-6
  - Stack Extension Underflow (EUN) bit 5-7
  - Stack Extension Wrap (WRP) bit 5-6
  - Stack Extension XY Select (XYS) bit 5-7
  - Stop Delay Mode (SD) bit 5-9
  - System Stack Control/Status (SCS) Byte 5-5
- Status Register (SR) 4-9, 5-2, 5-5, 5-10
  - Arithmetic Saturation Mode (SM) bit 3-3, 3-9, 5-11
  - Bit Definitions 5-11
  - Cache Enable (CE) bit 5-11, 8-3, 8-8
  - Carry (C) bit 5-16
  - Condition Code Register (CCR). See PCU configuration and status registers
  - Core Priority (CP) bit 5-11
  - DO FOREVER flag (FV) bit 5-12
  - DO Loop Flag (LF) bit 5-12
  - Double-Precision Multiply Mode (DM) bit 5-12
  - Extended Mode Register (EMR) 5-10
  - Extension (E) bit 5-15
  - Interrupt Mask (I) bit 5-14
  - Limit (L) bit 3-5, 3-19, 5-14
  - Mode Register (MR) 5-10
  - Negative (N) bit 5-15
  - Overflow (V) bit 5-16
  - Rounding Mode (RM) bit 3-8, 5-11
  - Scaling (S) bit 3-19, 5-14

- Scaling Mode (S) bit 3-3, 5-13
- Sixteen-Bit Arithmetic Mode (SA) bit 3-1, 5-12
- Sixteen-Bit Compatibility Mode (SC) bit 5-13
- Unnormalized (U) bit 5-15
- Zero (Z) bit 5-15
- PCU processing control registers
  - Loop Address (LA) register 5-16, 5-20
  - Loop Counter (LC) register 5-16, 5-21
  - Program Counter (PC) register 5-20
  - Vector Base Address (VBA) register 5-21
- PCU System Stack configuration and operation registers 5-4, 5-16
  - Extension Pointer (EP) register 5-16
  - Stack Counter (SC) register 5-19
  - stack extension bits. See PCU configuration and status registers, Operating Mode Register (OMR)
  - Stack Extension Enable bit of the OMR 5-6, 5-17
  - Stack Pointer (SP) register 5-18
    - Bit Definitions 5-18
    - P bits 5-18
    - SP Register Values in Non-extended mode 5-19
  - Stack Error/P4 (SE/P4) bit 5-19
  - Stack Pointer (P) bit 5-19
  - Underflow Flag/P5 (UP/PF) bit 5-18
  - Stack Size (SZ) Register 5-16, 5-20
  - System Stack High (SSH) Register 5-16
  - System Stack Low (SSL) Register 5-2, 5-16
- PDC. See Program Decode Controller (PDC)
- PFLUSH instruction 8-6, 8-7, 12-13, 13-153
- PFLUSHUN instruction 8-7, 12-13, 13-154
- PFREE instruction 8-6, 12-13, 13-155
- Phase Detector (PD) 6-2
- Phase Locked Loop (PLL). See PLL
- PIC (position independent code) support 1-4
- PIC. See Program Interrupt Controller (PIC)
- PINIT 6-2
- pipeline conflicts 3-19, A-12
- pipeline dependencies 3-19
- pipeline interlocks A-12
- PLL 1-6
  - clock generator 6-1
  - clock synchronization 6-10
  - Control (PCTL) register 6-2, 6-6
    - Bit Definitions 6-7
    - Clock Output Disable (COD) bit 6-7
    - Crystal Range (XTLR) bit 6-9
    - Division Factor (DF) bit 6-9
    - Multiplication Factor (MF) bits 6-10
    - PLL Enable (PEN) bit 6-8
    - PLL Stop State (PSTP) bit 6-8
    - Predivider Factor (PD) bit 6-7
    - XTAL Disable (XTLD) bit 6-8
  - Control Elements in its circuitry
    - clock input division 6-4
    - frequency multiplication 6-4
    - skew elimination 6-4
  - control mechanisms 6-2
    - charge pump loop filter 6-3
    - frequency predivider 6-2
    - phase detector 6-2
  - Division Factor 6-4
  - operating frequency 6-6
  - PCTL Multiplication Factor 6-4
  - PCTL Predivider Factor (PDF) bits 6-4
  - phase skew 6-4
  - power supply 6-10
  - recommendations for filtering PLL power supply 6-10
  - skew elimination 6-4
- PLL Control (PCTL) register. See PLL
- PLOCK instruction 8-6, 12-13, 13-156
- PLOCKR instruction 8-6, 12-13, 13-157
- PMOVE instruction 8-7
- PMOVER 8-8
- PMOVEW 8-7, 8-8
- Port A control 9-15
  - AAR. See Address Attribute Registers (AARs)
  - BCR. See Bus Control Register (BCR)
  - DCR. See DRAM Control Register (DCR)
  - Program Address Generator (PAG) 1-4, 5-1, 5-2
  - program control instructions 3-20, 12-11
    - Branch Always (BRA) 12-11, 13-25
    - Branch Conditionally (Bcc) 12-11, 13-18
    - Branch to Subroutine Always (BSR) 12-12, 13-37
    - Branch to Subroutine Conditionally (BScc) 12-11
    - Enter into the Debug Mode Always (DEBUG) 12-12, 13-49
    - Enter into the Debug Mode Conditionally (DEBUGcc) 12-12, 13-50
    - Execute Conditionally (IFcc) 12-12, 13-74
    - Execute Conditionally and Update CCR (IFcc.U) 12-12, 13-75
    - Jump Always (JMP) 12-12, 13-83
    - Jump Conditionally (Jcc) 12-12, 13-80
    - Jump if Bit Clear (JCLR) 12-12, 13-81, 13-82
    - Jump if Bit Set (JSET) 12-12, 13-87, 13-88
    - Jump to Subroutine Always (JSR) 12-12, 13-89
    - Jump to Subroutine Conditionally (JScC) 12-12, 13-84
    - Jump to Subroutine if Bit Clear (JSCLR) 12-12, 13-85, 13-86
    - Jump to Subroutine if Bit Set (JSSET) 12-12, 13-90, 13-91
    - No Operation (NOP) 12-12
    - Repeat Next Instruction (REP) 12-12,

- 13-160–13-161
  - Reset On-Chip Peripheral Devices (RESET) 12-12, 13-162
  - Return From Interrupt (RTI) 12-12, 13-167
  - Return From Subroutine (RTS) 12-12, 13-168
  - Stop Processing (Low-Power Standby) (STOP) 12-12, 13-170–13-171
  - Trap Always (TRAP) 12-12, 13-179
  - Trap Conditionally (TRAPcc) 12-12, 13-180
  - Wait for Interrupt (Low-Power Standby) (WAIT) 12-12, 13-183
  - Program Control Unit. See PCU
  - Program Counter (PC) register. See PCU processing control registers
  - Program Decode Controller (PDC) 1-4, 5-1, 5-2
  - Program Interrupt Controller (PIC) 1-4, 5-1, 5-2
  - program loop 5-12
  - program memory
    - external 11-7
    - internal 11-7
  - PUNLOCK instruction 8-2, 8-6, 12-13, 13-158
  - PUNLOCKR instruction 8-6, 12-13, 13-159
- ## R
- read-modify-write instructions 3-18
  - REP instruction 5-21, 12-12, 13-160–13-161
  - REPEAT mechanism 5-2
  - representation of integer and fractional numbers 3-7
  - RESET instruction 12-12, 13-162
  - reverse-carry adder 1-4, 4-1, 4-2
  - reverse-carry modifier 4-10
  - RND instruction 12-8, 13-163–13-164
  - ROL instruction 12-9, 13-165
  - ROR instruction 12-9, 13-166
  - rounding
    - convergent rounding (round-to-nearest-even number) 3-3, 3-7
    - Rounding Mode (RM) bit in the SR 3-7, 3-8
    - selecting the type of rounding performed by the Data ALU during arithmetic operations 5-11
    - signed multiply-accumulate and round (MACR) instruction. See also MACR instruction 3-3
    - specifying 3-3
    - two's-complement rounding 3-3, 3-7, 3-8
    - types of rounding (modes) 3-7
  - RTI instruction 4-5, 5-18, 12-12, 13-167
  - RTS 5-17
  - RTS instruction 12-12, 13-168
- ## S
- SAMPLE/PRELOAD instruction 7-6
  - saturation mode. See SM bit of the Status Register (SR)
  - SBC instruction 12-8, 13-169
  - SC (Stack Counter) register. See PCU System Stack configuration and operation registers
  - ration and operation registers
  - scaling 3-8
    - in Data ALU 3-5
  - scaling and limiting 3-17
  - Scaling mode 3-3
  - Scaling Mode bits 3-5
  - SCS byte of the OMR 5-5
    - See also PCU configuration and status registers, Operating Mode Register (OMR)
  - SEN (Stack Extension Enable) bit of the OMR 5-17
  - seven-stage instruction pipeline 5-1
  - shifting and limiting 3-3
  - signal processing
    - analog 1-7
    - digital 1-7
  - signed multiply-accumulate and round (MACR) instruction. See also MACR instruction 3-3
  - Sixteen-bit Arithmetic mode 3-4, 3-14, 3-17, 3-18, A-25
    - enable/disable SA bit in the SR 5-12
    - Short Data MOVE 3-17
  - Sixteen-bit Compatibility (SC) mode 4-3, A-25
  - skew elimination 6-4
  - SM (Arithmetic Saturation Mode) bit. See PCU configuration and status registers, Status Register (SR)
  - source code syntax illustrated in benchmarks B-1
  - SP (Stack Pointer) register. See PCU System Stack configuration and operation registers
  - SS. See System Stack (SS)
  - Stack Counter (SC) 5-16
  - Stack Counter (SC) register. See PCU System Stack configuration and operation registers
  - stack exception 5-20
  - stack extension 4-5, 5-16
    - control logic 5-17
    - delay A-11
    - enable
      - restrictions A-23
      - SEN bit of the OMR 5-6
      - SEN bit of the OMR. See also PCU configuration and status registers, Operating Mode Register (OMR) 5-17
    - mapping 5-7
    - overflow 5-6
    - underflow 5-7
  - stack Extension Pointer (EP) Register 5-2, 5-17
  - Stack Pointer (SP) register. See PCU System Stack configuration and operation registers
  - Stack Size (SZ) register. See PCU System Stack configuration and operation registers
  - stack underflow occurs in Stack Extended mode 5-7
  - Status Register (SR). See PCU configuration and status registers
  - STOP instruction 2-4, 7-9, 12-12, 13-170–13-171
  - Stop state 1-11, 2-4, 2-16, 6-2

SUB instruction 12-8, 13-172–13-173  
 SUBL instruction 12-8, 13-174  
 SUBR instruction 12-8, 13-175  
 System Configuration modes 11-1  
 System Stack (SS) 5-2, 5-17  
 System Stack (SSH, SSL) 4-9, A-23  
 System Stack configuration and operation registers. See PCU  
 System Stack configuration and operation registers  
 System Stack Control/Status (SCS) byte of the OMR 5-5  
 System Stack High (SSH) Register 5-2, 5-16  
 System Stack Low (SSL) Register 5-2, 5-16  
 System Stack, extending into 24-bit wide X or Y data memory 5-17  
 SZ (Stack Size) register. See PCU System Stack configuration and operation registers

## T

$\overline{\text{T}}\text{A}$  Synchronize Select (TAS) bit 5-8  
 TAP. See JTAG TAP  
 Tcc instruction 3-4, 12-8, 13-176–13-177  
 Test Access Port (TAP). See JTAG  
 test clock (TCK) 7-1  
 Test Technology Committee of IEEE 7-2  
 TFR instruction 12-8, 13-178  
 TMS (test mode select) pin 7-1  
 TMS Sequencing for Reading Pipeline Register 7-31  
 Trace Buffer 7-23  
 Trace mode 7-20  
   enabling 7-22  
 transfer saturation 3-3, 3-5  
 transfer stall 3-20  
 TRAP instruction 12-12, 13-179  
 TRAPcc instruction 12-12, 13-180  
 TST instruction 12-8, 13-181  
 two's-complement rounding. See rounding

## U

unlocking the Instruction Cache 8-6  
 update-by-offset addressing modes 4-4

## V

VBA register. See PCU processing control registers  
 VCO  
   divide by 2 6-3  
   frequency divider 6-3  
 Vector Base Address (VBA) register. See PCU processing control registers  
 Voltage Controlled Oscillator. See VCO  
 VSL instruction 12-11, 13-182

## W

WAIT instruction 2-4, 12-12, 13-183

Wait state 1-11, 2-4, 2-16  
 wait states, external memory 5-18

## X

X Data Bus (XDB) 3-1  
 X I/O space 11-3, 11-5  
 X memory area, displaying 7-28

## Y

Y Data Bus (YDB) 3-1

