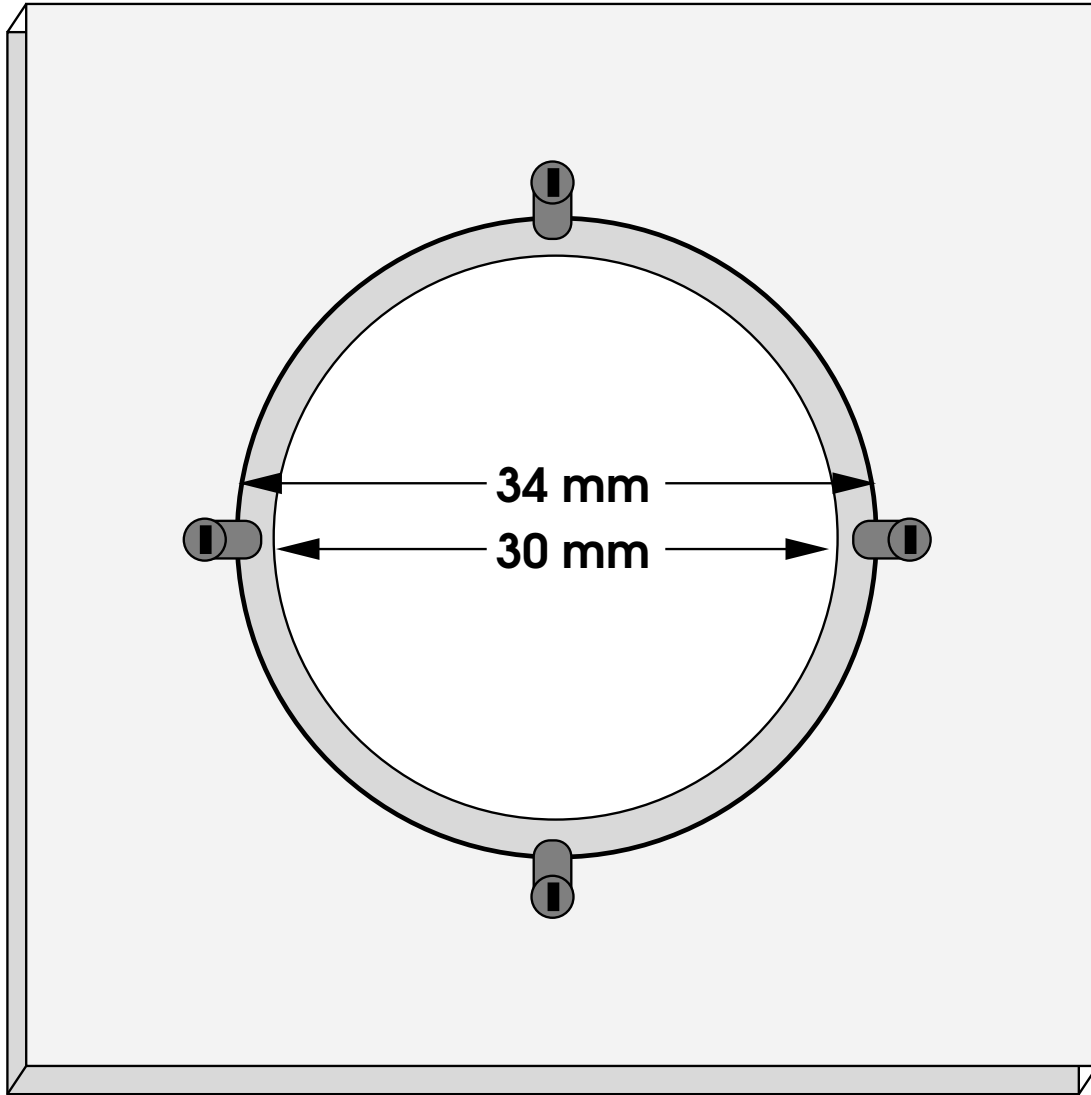
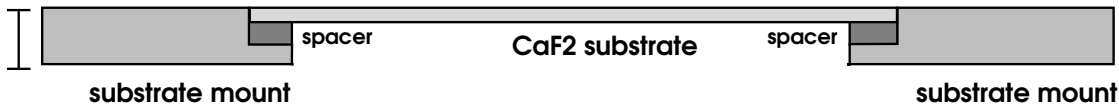


slit substrate mount

← 57.15 mm →



3.18mm



1.18 mm

cross section (side view)